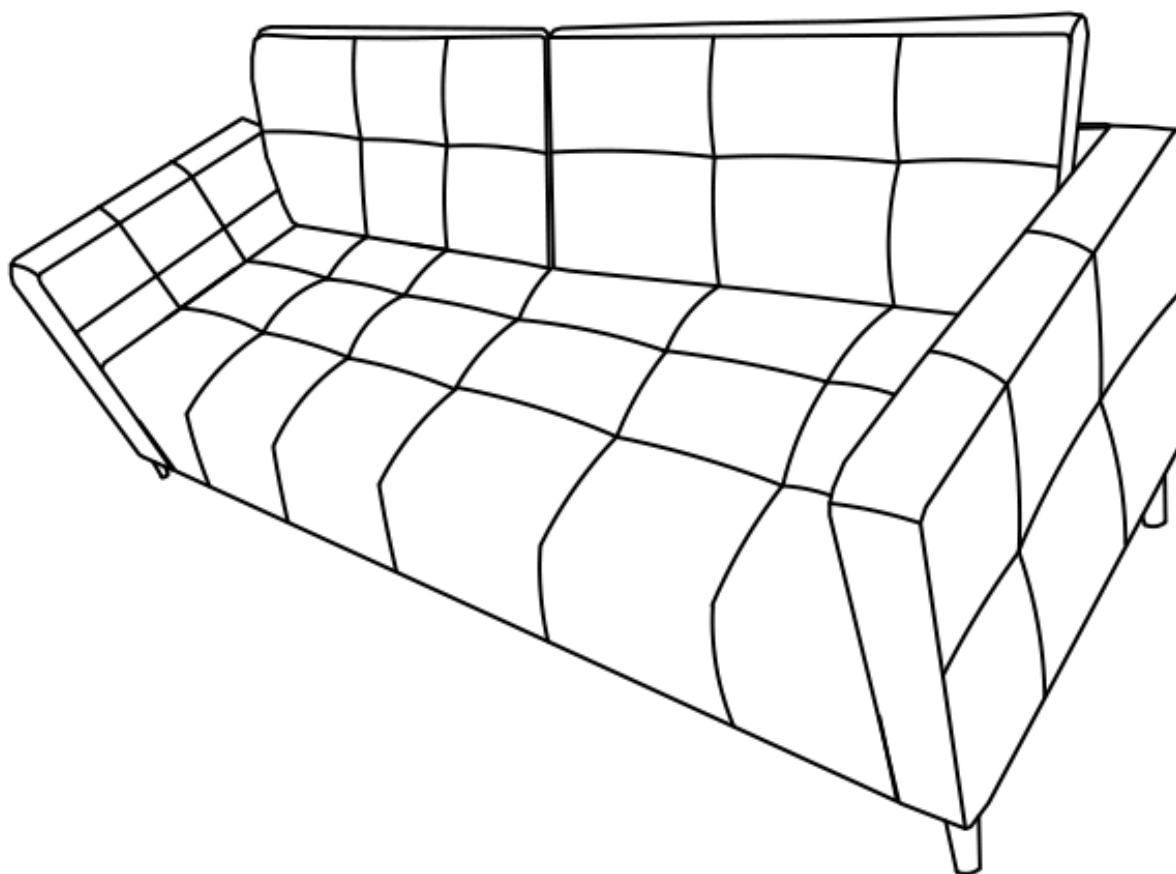


# Sofas & Couches

Product ID. 70YGL



Scan for Support  
[support@garvee.com](mailto:support@garvee.com)



Distributed by  
**GARVEE**.com

# CONTENTS

01 PRODUCT INSTALLATION  
NOTES

02 PRODUCT INTROSUCTION

03 SAFETY WARNINGS

04 INSTALLATION

05 FAQ

# Product Installation Notes

## Specification

### IMPORTANT SAFETY NOTICE: READ CAREFULLY BEFORE BEGINNING ASSEMBLY!

- Always use proper tools.
- Follow the assembly steps in order. Do not skip any steps.
- Be sure to check all packing materials carefully for small parts may have come loose inside the carton during shipment. If parts are missing, contact the retailer from which you purchased the product to obtain any missing parts. **DO NOT USE SUBSTITUTE PARTS.**
- Periodically check to ensure that all connectors (bolts, screws, etc.) are tight. Keep the instructions for future reference.
- Some assembly may involve attaching glass or mirrors. Be very careful handling the glass or mirrors, as severe injury may result if the glass or mirror breaks. Never handle large pieces of glass or mirrors by yourself.
- When assembling products that have electric cords (lamps, lights, etc.), always (1) make sure the electrical cord is unplugged before assembly and (2) be careful not to twist the electrical cord during assembly.
- When assembling shelves or entertainment centers, do not stand on lower shelves in order to assemble upper shelves—use a step ladder.
- Do not stand on tables, including but not limited to, end tables, coffee tables, and dinner tables, as tables are not meant to support the weight of a person.
- Where assembly instructions state that assembly requires two or more people, do not attempt assembly by yourself as there is a risk of injury.

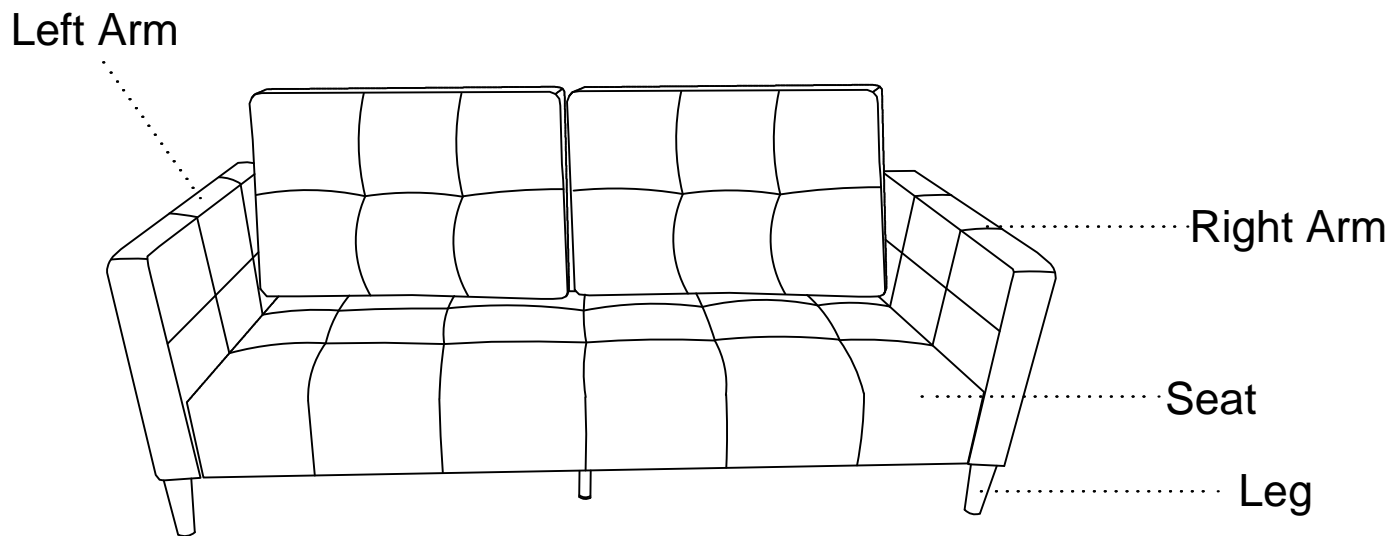
NOTE: YOUR UNIT MAY LOOK DIFFERENT IN APPEARANCE FROM THE ONE SHOWN IN THE ILLUSTRATIONS ON THIS INSTRUCTION SHEET

# PRODUCT INTRODUCTION

## Specification

|              |                   |
|--------------|-------------------|
| Product Name | SOFABED           |
| Model/Spu    | PHO_15UJ          |
| Product Size | 211x78x82cm       |
| Weight       | 96.4 lbs(43.7kgs) |

## Components



# SAFETY WARNINGS

## Safety Definitions

### IMPORTANT SAFETY INFORMATION

Please carefully read the instructions and caution warnings below before assembling the product. Following this guide will ensure that you install, use and maintain the product properly.

- Please keep this installation and user manual/instructions for future reference in case you need to assemble the product.
- Do not assemble if you notice serious damage such as cracks or bends.
- During installation, please use work gloves for hand safety.
- Please assemble the unit on carpeted floor or the flat cardboard box to avoid scratching the surface or your floor while assembling on the floor.
- To assemble, please use the complimentary installation tools (Allen Wrench). Pay more attention to the direction of components at each step.
- It is recommended that two people work together to assemble the product.
- Please do not tighten the screws up too much, just to 80% before you finish to make the installation go on successfully.

### RETURN POLICY

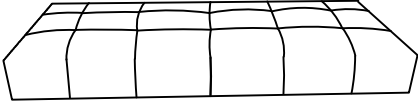
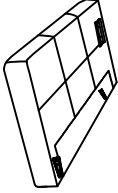
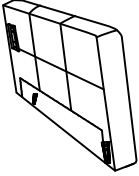
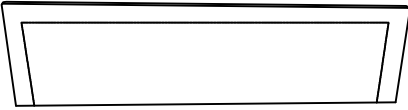
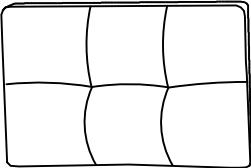
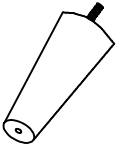
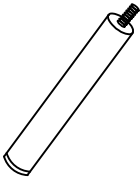
We believe you will absolutely love your new product. But for some reason you want to return your item, please contact us within 30 days after receiving and ensure that the product which you want to return is in a good condition in the original box with all original certificates of purchase, manuals and accessories attached.

### HOW TO MAINTAIN YOUR PRODUCT:

- Check the screws of the product are not loose from regular use.
- Do not use sharp instruments, rubbing alcohol, corrosive chemicals, or abrasive cleaners to clean the product.
- Do not keep the product in a damp environment for a long period of time. The damp environment may cause the iron components to rust and the plates to bulge and crack.

# INSTALLATION

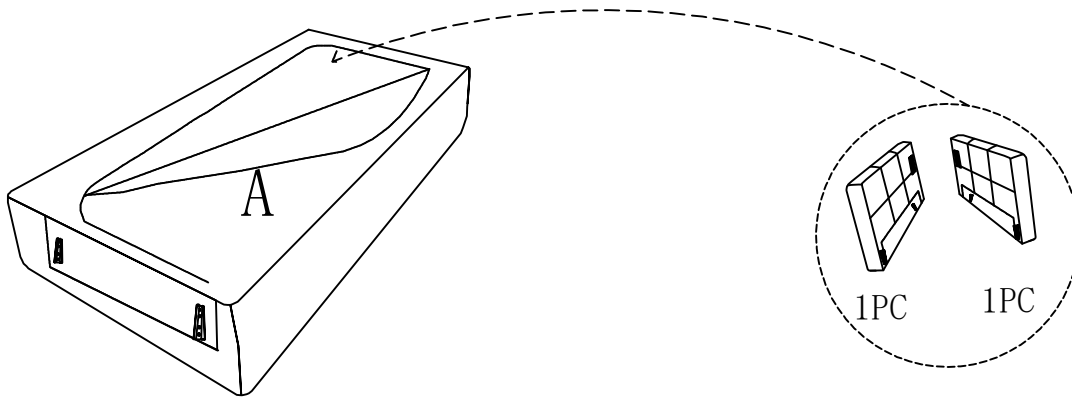
## Parts List

|   |  |   |
|---|--|---|
|    |   |  |
| A: Seat*1   | B: Left Arm*1  | B1: Right Arm*1   |
|    |  |  |
| C: Back Rest*1  | D: Back Cushion*2  | E: Leg*4  |
|  |  |   |
| F: Middle Leg*1   |  |   |

# Assembly

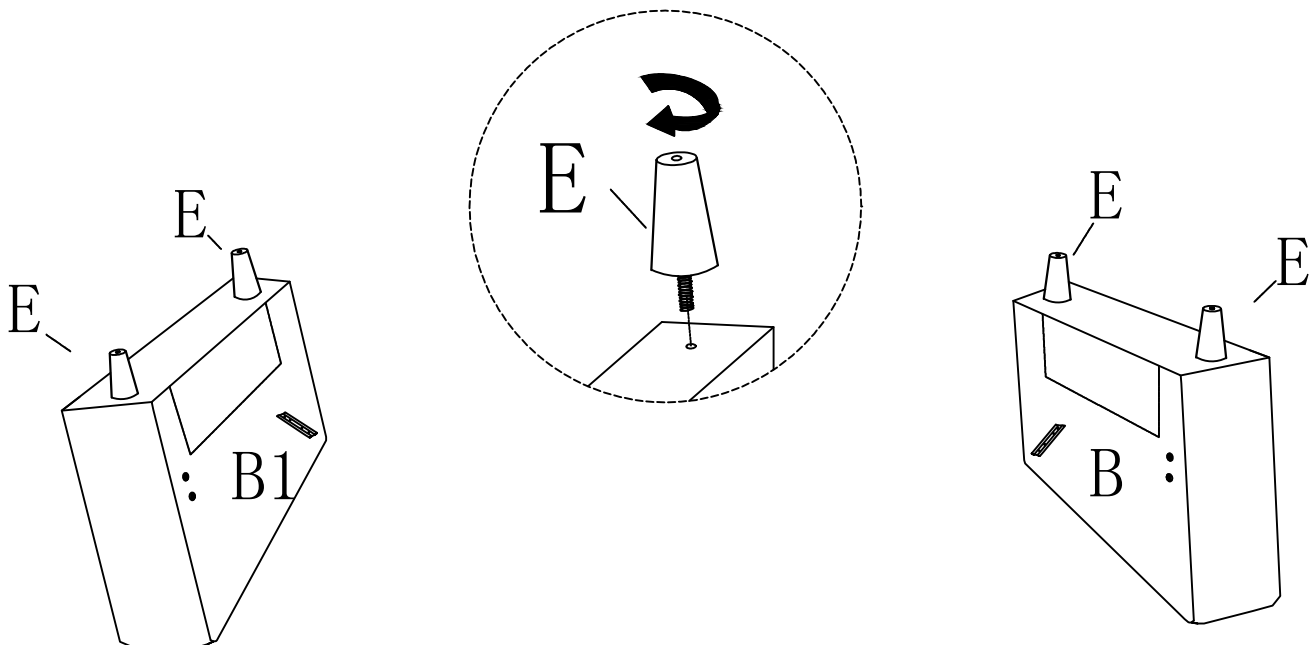
## Step 1

- pls open zipper,take out Left Arm (B ) and Right Arm (B1) from seat bottom (A)



## Step 2

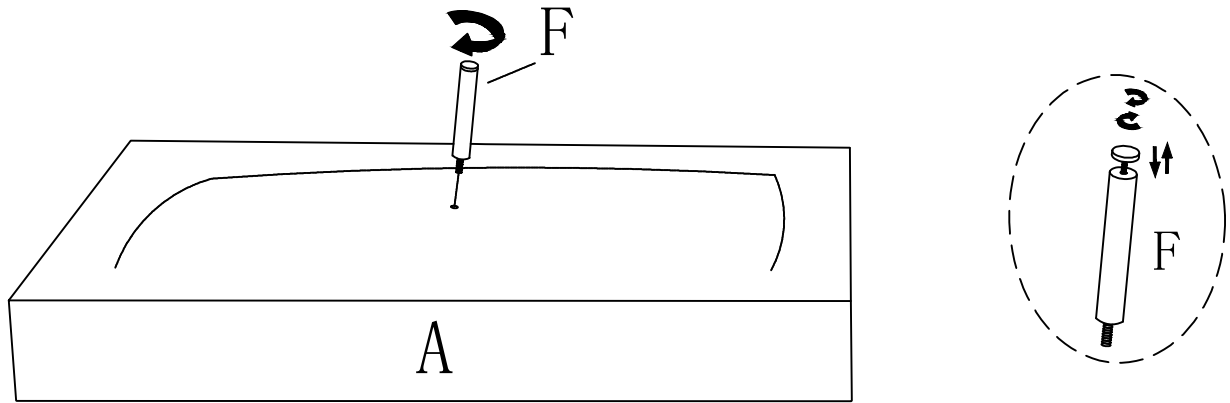
- Fix leg(E)to arm(B&B1)



# Assembly

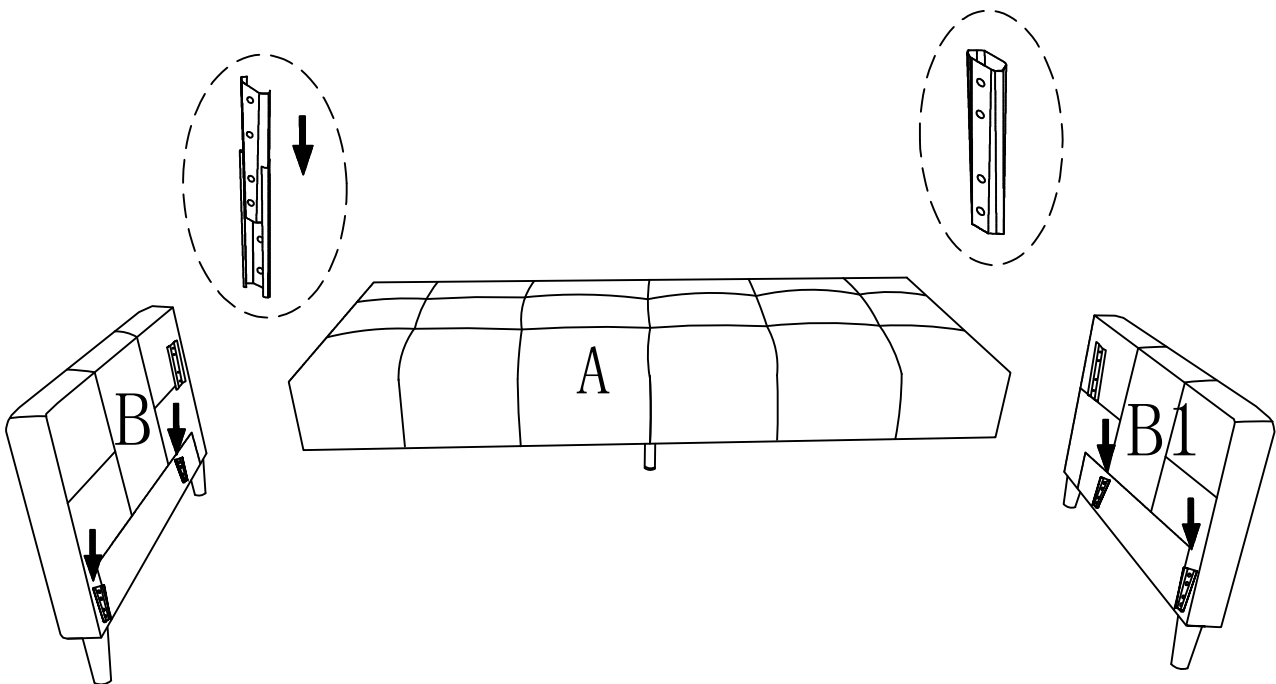
## Step 3

- Fix middle leg(F) to seat(A)



## Step 4

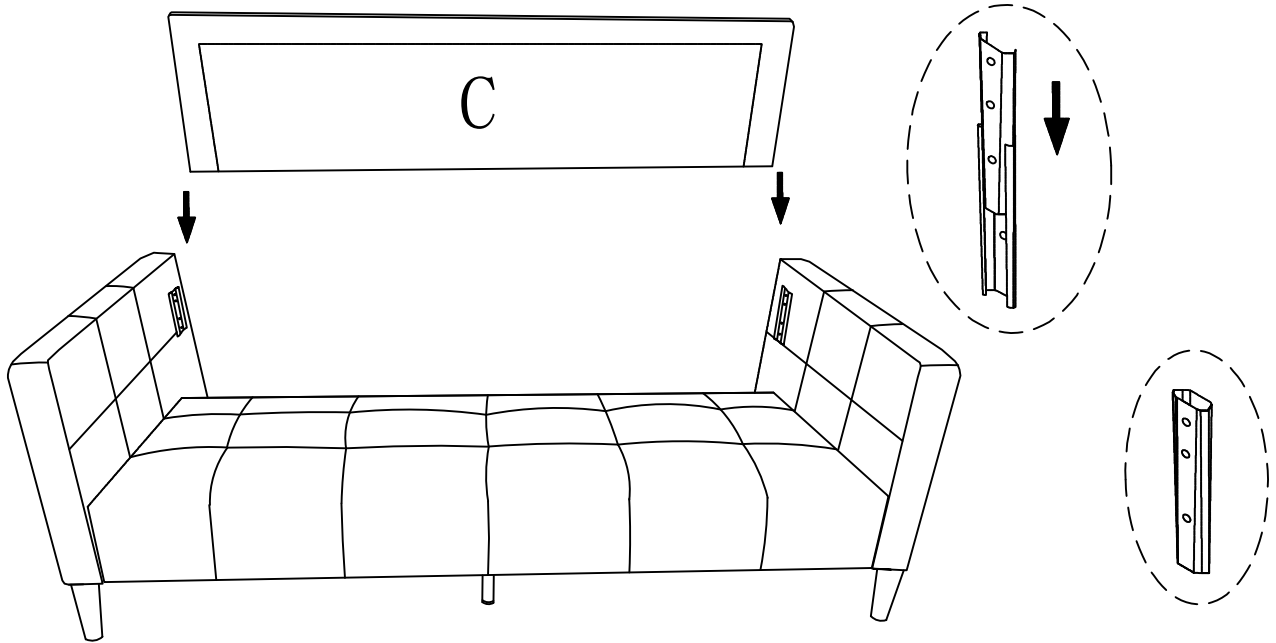
- Fix left arm(B) and right arm(B1) to seat (A)



# Assembly

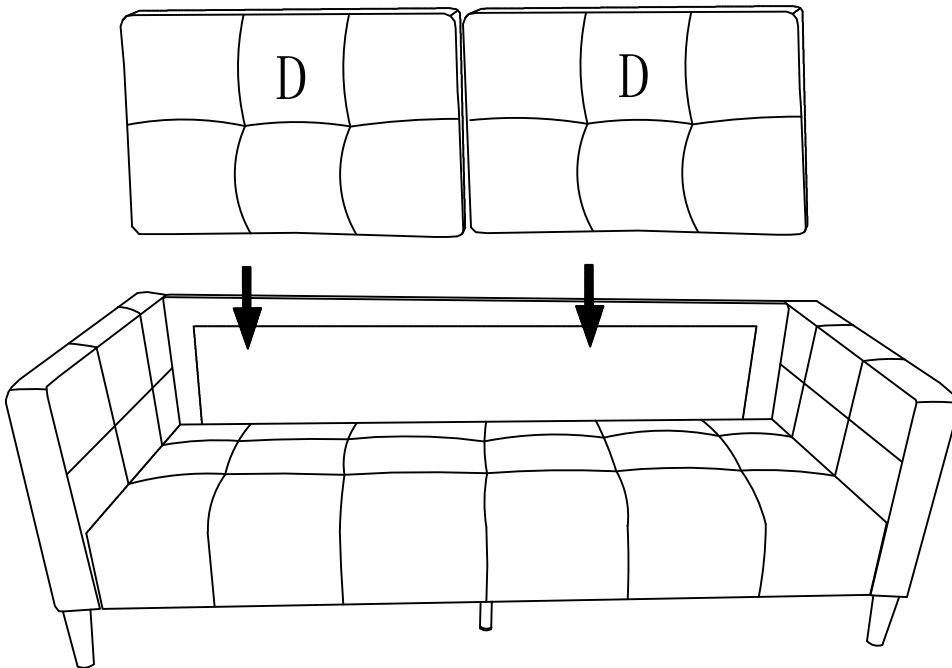
## Step 5

- Connect the Backrest (C) to the Left arm (B) & Right arm (B1)



## Step 6

- Put back cushion (D) on the Backrest



# FAQ

Q How to find us?

A Customer Service Email: [support@garvee.com](mailto:support@garvee.com)

Q When you encounter problems while using the product:

A Troubleshooting

Missing / Wrong / Broken parts and installation issues



Send email with your question, pic and order NO. to [support@garvee.com](mailto:support@garvee.com)



Respond within 24 hours



Issue resolved

**GARVEE**  
support@garvee.com

## Limited Liability & Warning

**No Unauthorized Modifications/Repairs:** Do not modify or attempt to repair this product unless you are an authorized technician. Unauthorized actions may create hazards and void all warranties

**Misuse & Non-Compliance:** We are not liable for any injury, damage, or loss resulting from:

- (a) misuse, abuse, neglect, or improper installation;
- (b) failure to follow instructions or safety precautions;
- (c) use of unauthorized parts/accessories;
- (d) unauthorized modifications/repairs;
- (e) accidents, natural disasters, or external causes.

If you doubt any step of installation or operation, stop using the product and contact authorized service or the customer support.

## LIMITACIÓN DE RESPONSABILIDAD Y ADVERTENCIA

**Modificaciones o Reparaciones No Autorizadas:** NO modifique ni intente reparar este producto a menos que sea un técnico autorizado. Las acciones no autorizadas pueden generar riesgos y anularán todas las garantías.

**Uso Indebido e Incumplimiento:** No asumimos responsabilidad alguna por lesiones, daños o pérdidas que resulten de:

- (a) uso indebido, abuso, negligencia o instalación incorrecta;
- (b) incumplimiento de las instrucciones o precauciones de seguridad;
- (c) uso de piezas o accesorios no autorizados;
- (d) modificaciones o reparaciones no autorizadas;
- (e) accidentes, desastres naturales o causas externas.

Si tiene dudas sobre algún paso de la instalación o el funcionamiento, deje de usar el producto y póngase en contacto con el servicio técnico autorizado o con atención al cliente.

**GARVEE**  
support@garvee.com