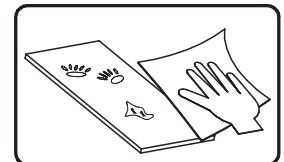
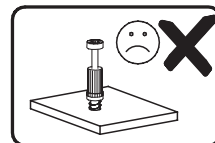
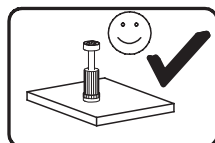
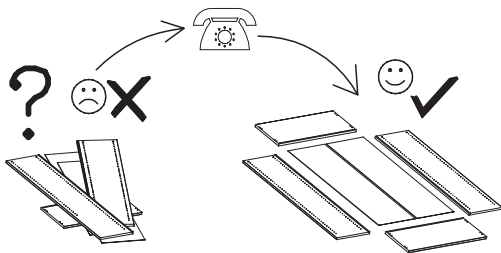
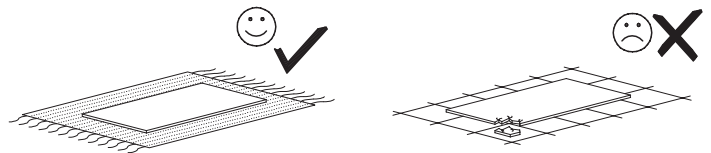
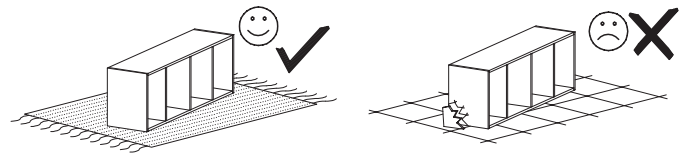
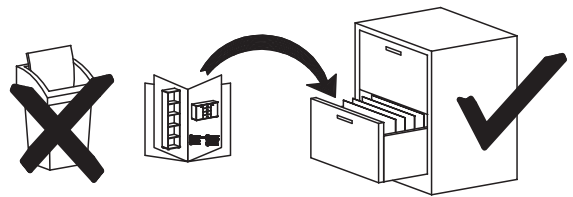
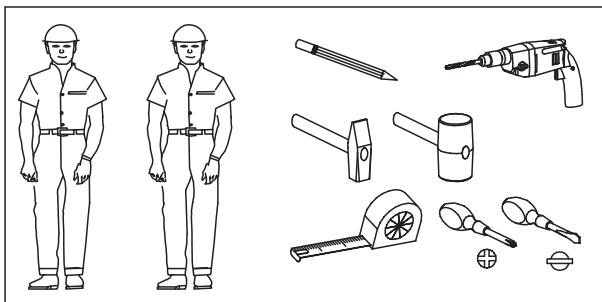
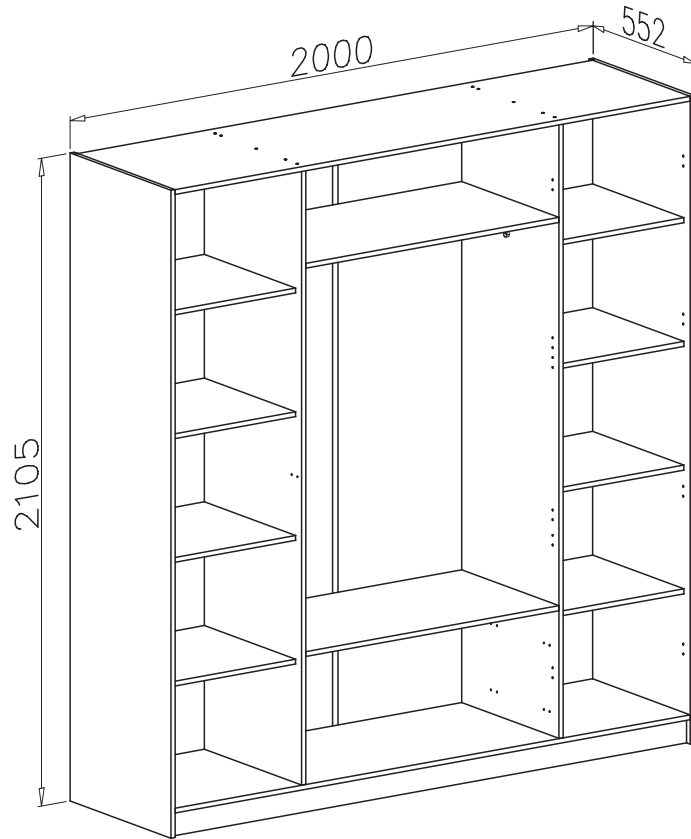
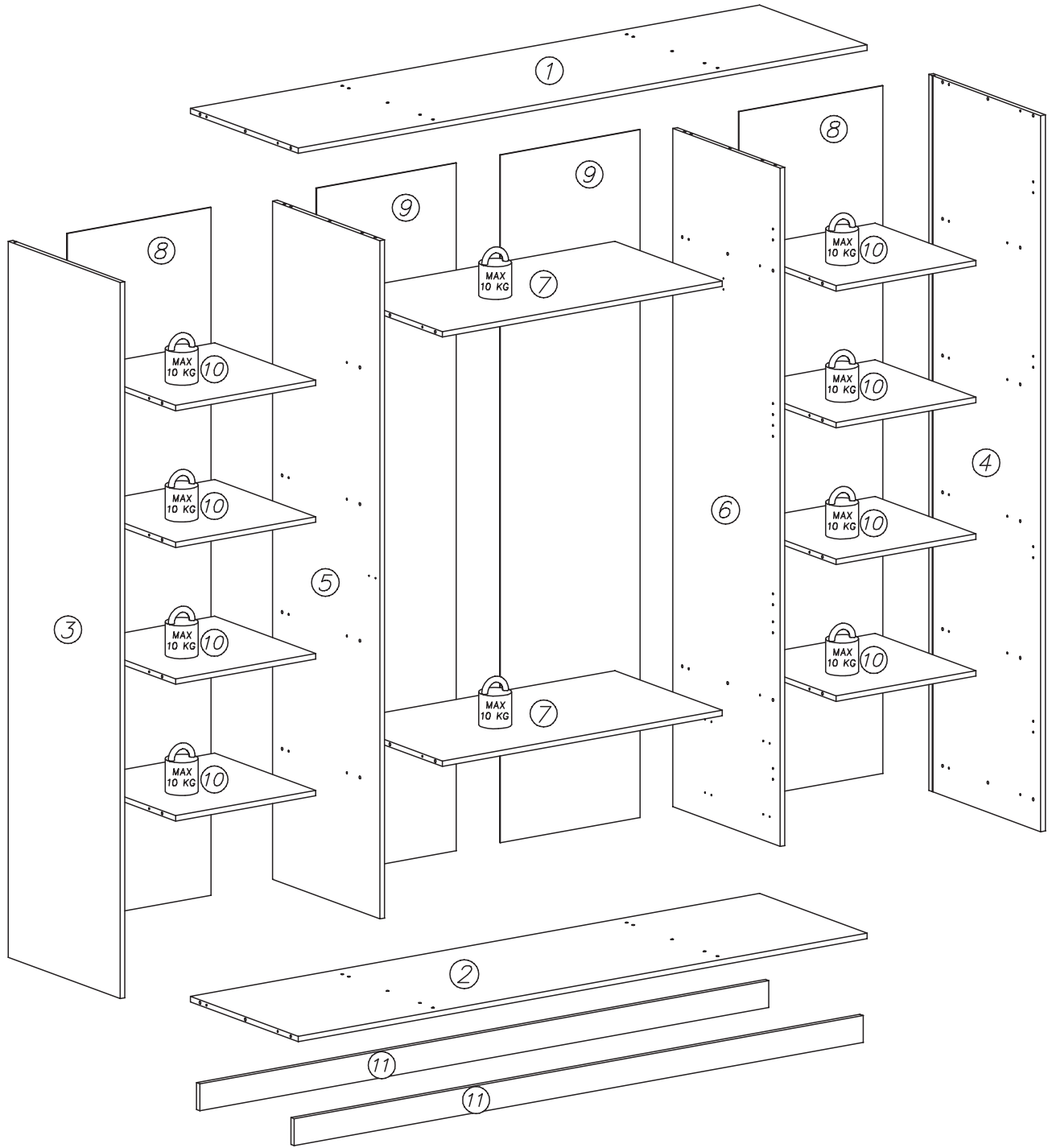
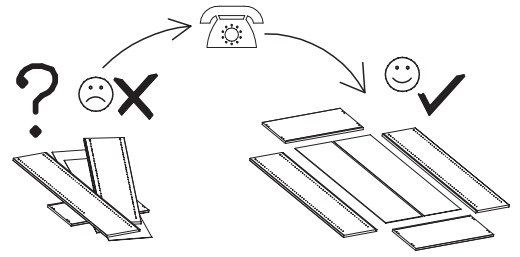
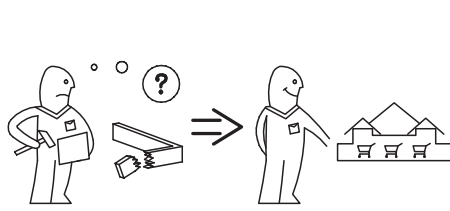
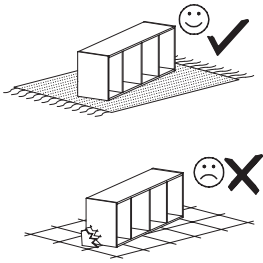
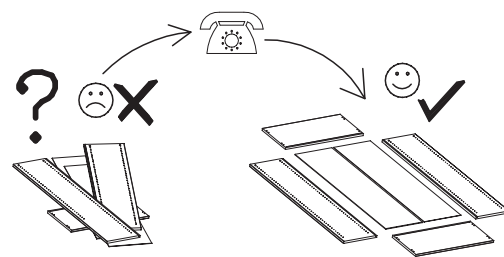
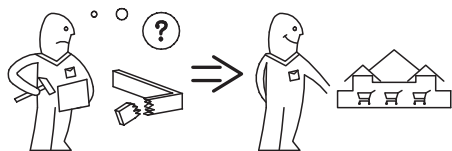
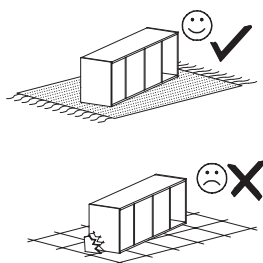


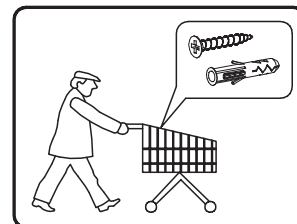
Installation & Assembly








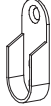


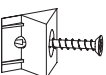


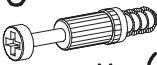

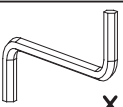
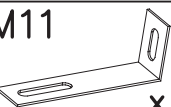





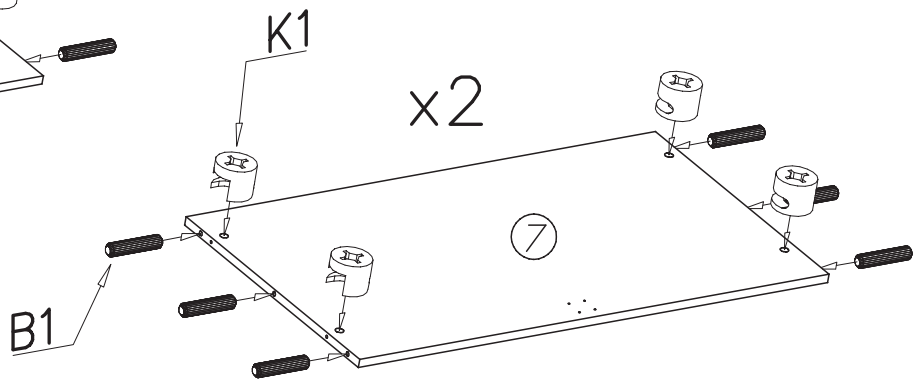
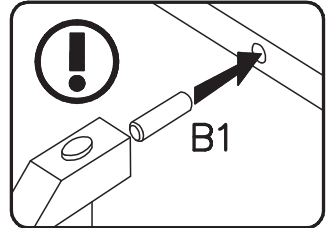
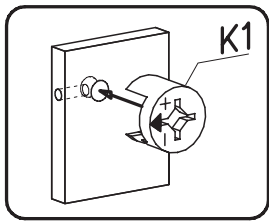
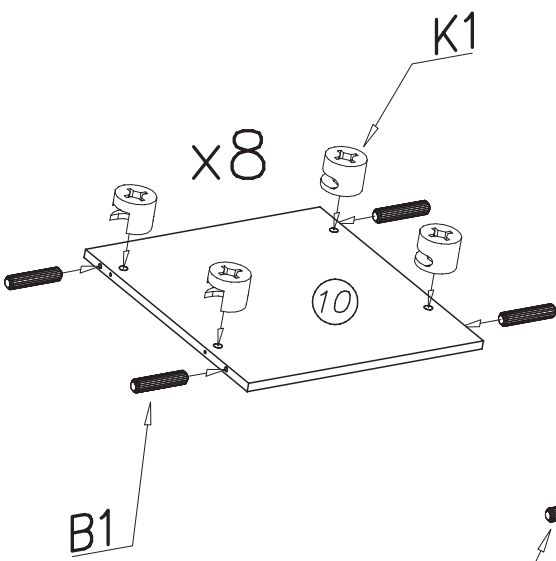
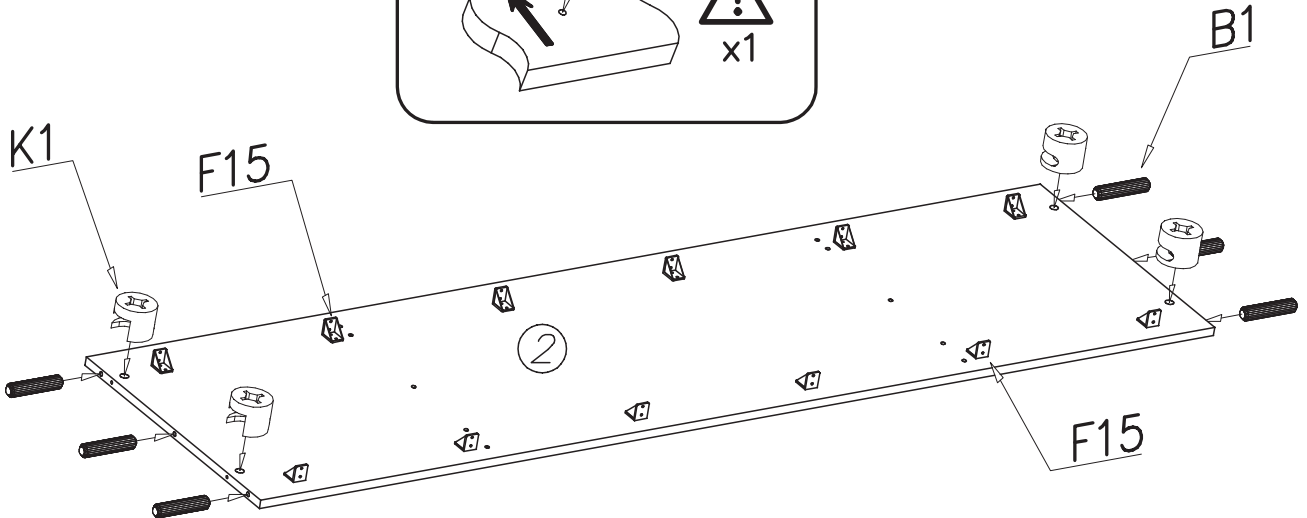
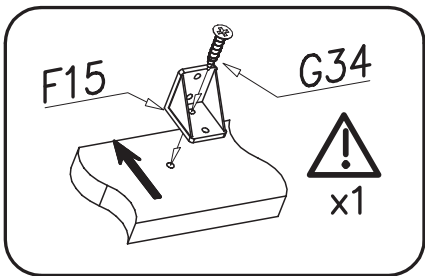
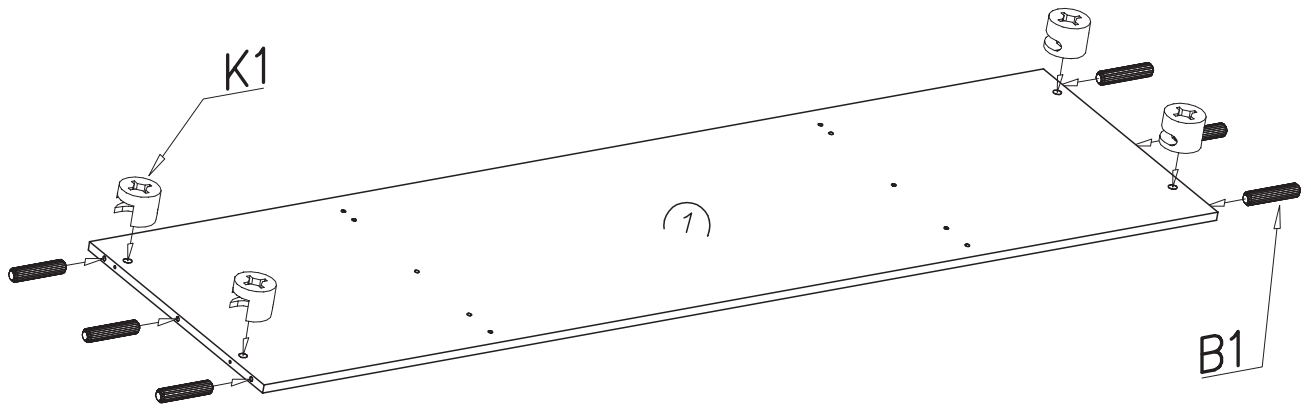
nr	L[mm]	B[mm]	T[mm]	Menge
1	532	1968	16	1
2	531	1968	16	1
3	2100	552	16	1
4	2100	552	16	1
5	1989	530	16	1
6	1989	530	16	1
7	530	968	16	2
8	2018	497	3	2
9	2018	490	3	2
10	484	498	16	8
11	1968	79	16	2



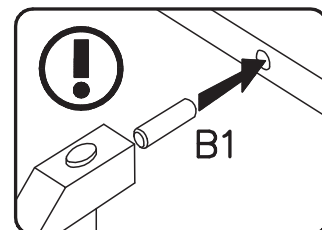
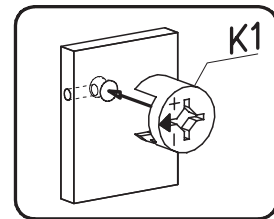
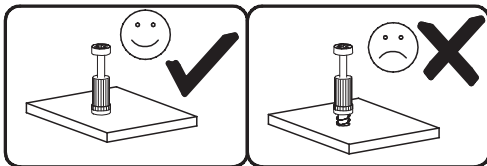
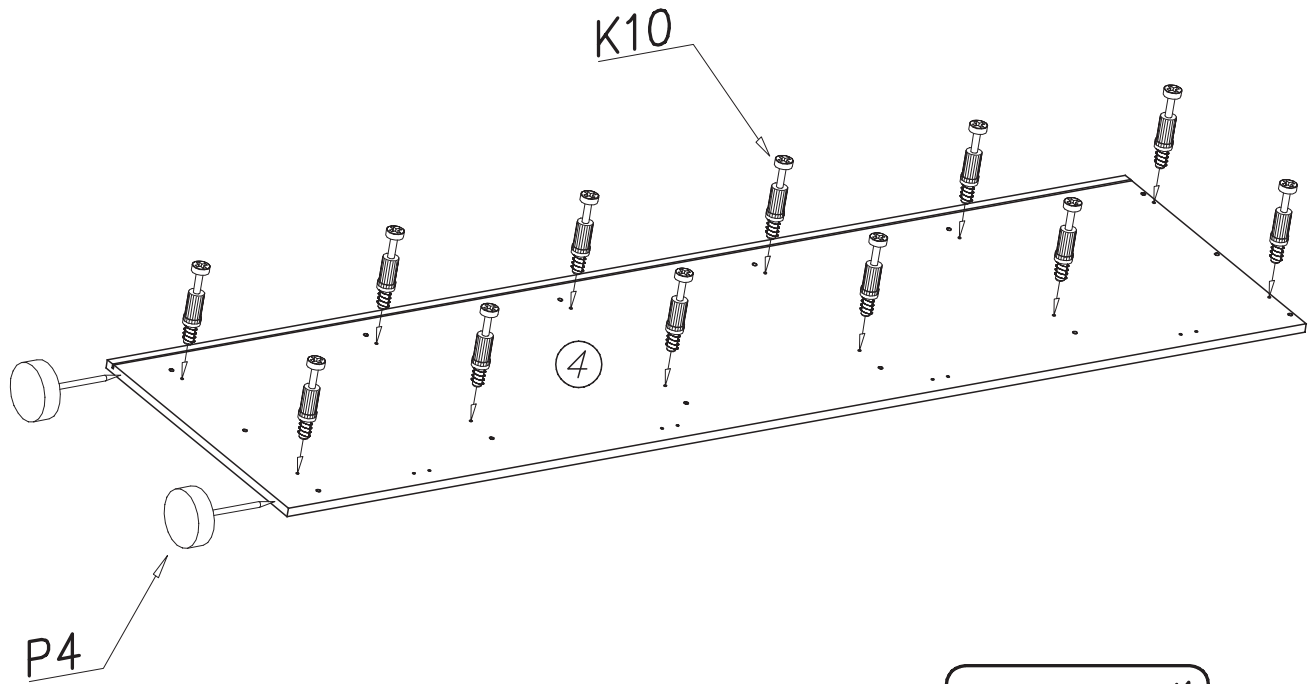
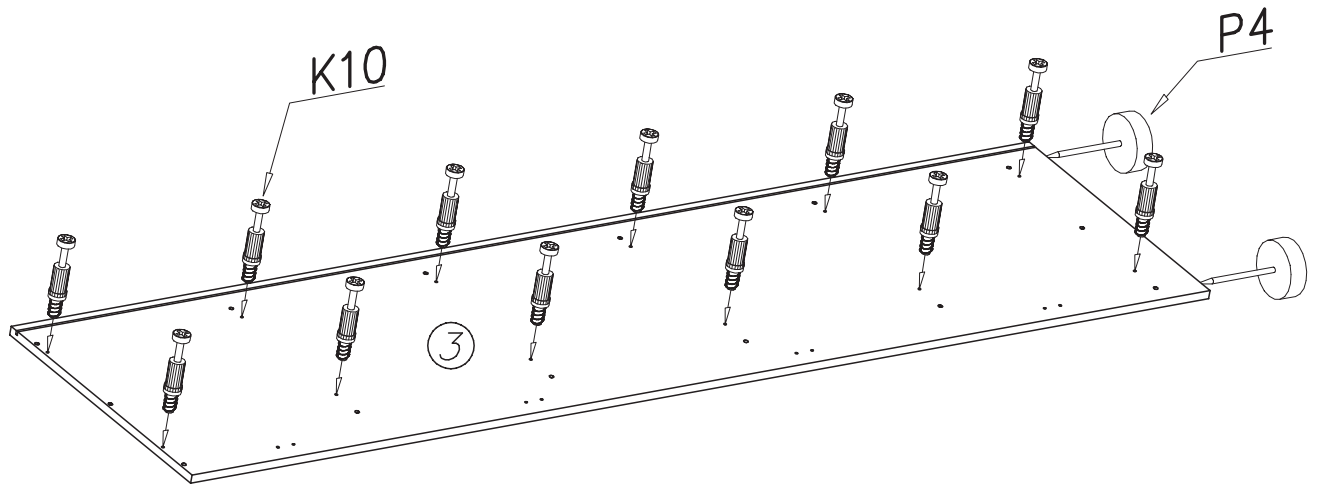
S5

 960mm x...(1)

P4  x...(8)	G57  3,5x16 x...(72)	F15  x...(16)	I7  ø18 x...(48)	S8  x...(2)
K1  ø15x12 x...(48)	S1  1988mm x...(1)	I1  x...(10)	A1  ø7x50 x...(8)	G2  3x20 x...(126)
K10  x...(48)	B1  ø8x35 x...(68)	W2  x...(1)	M11  x...(2)	S2  x...(36)

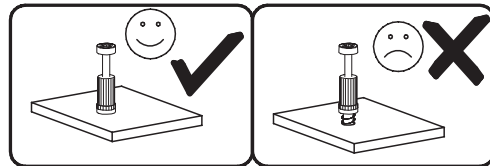
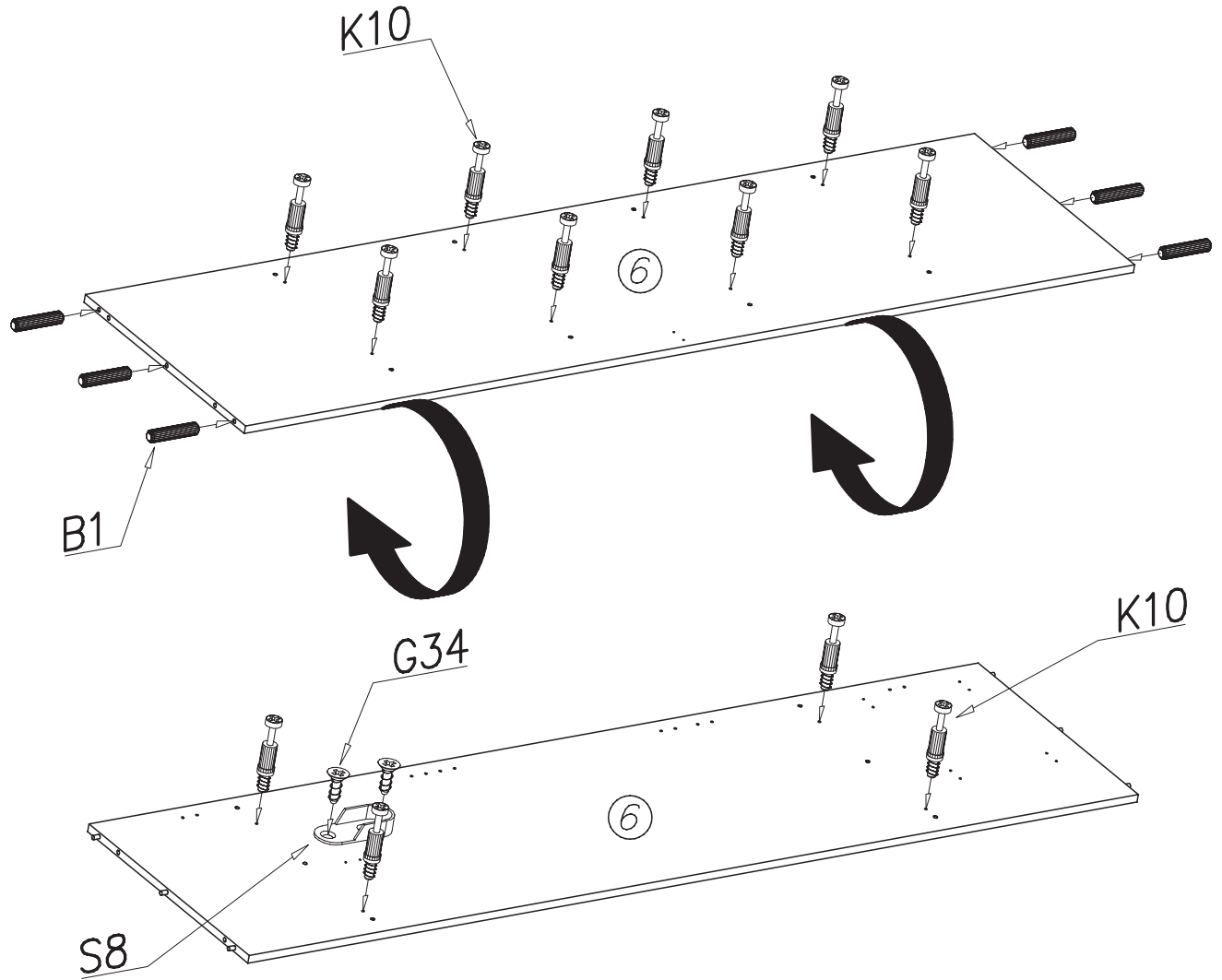
I



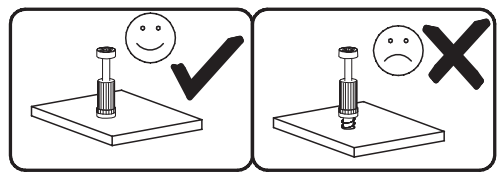
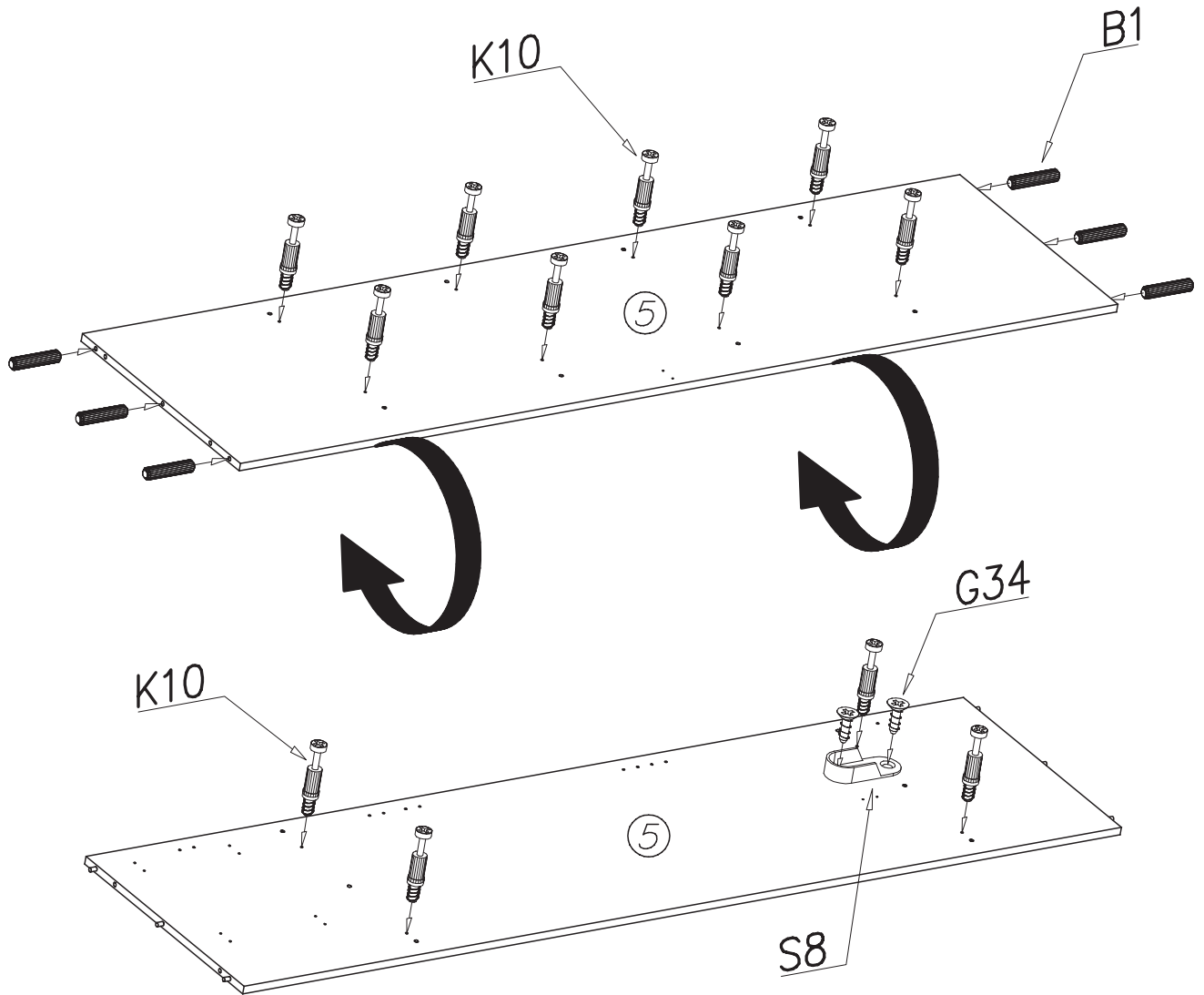
II



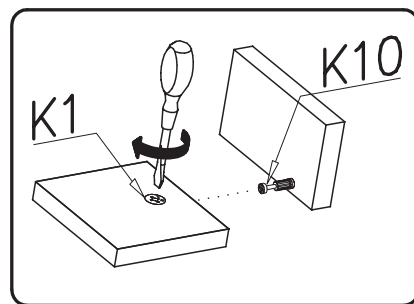
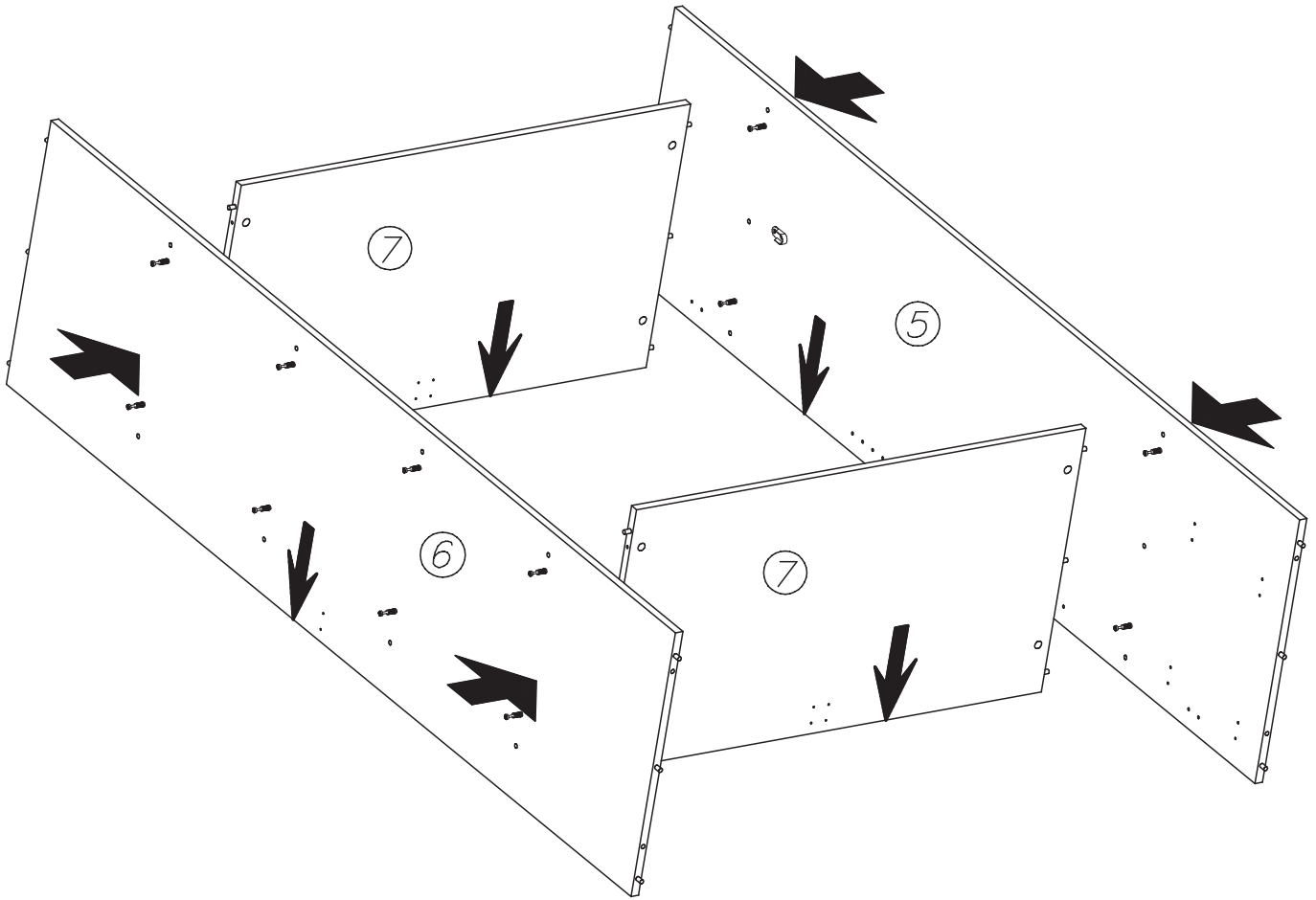
III



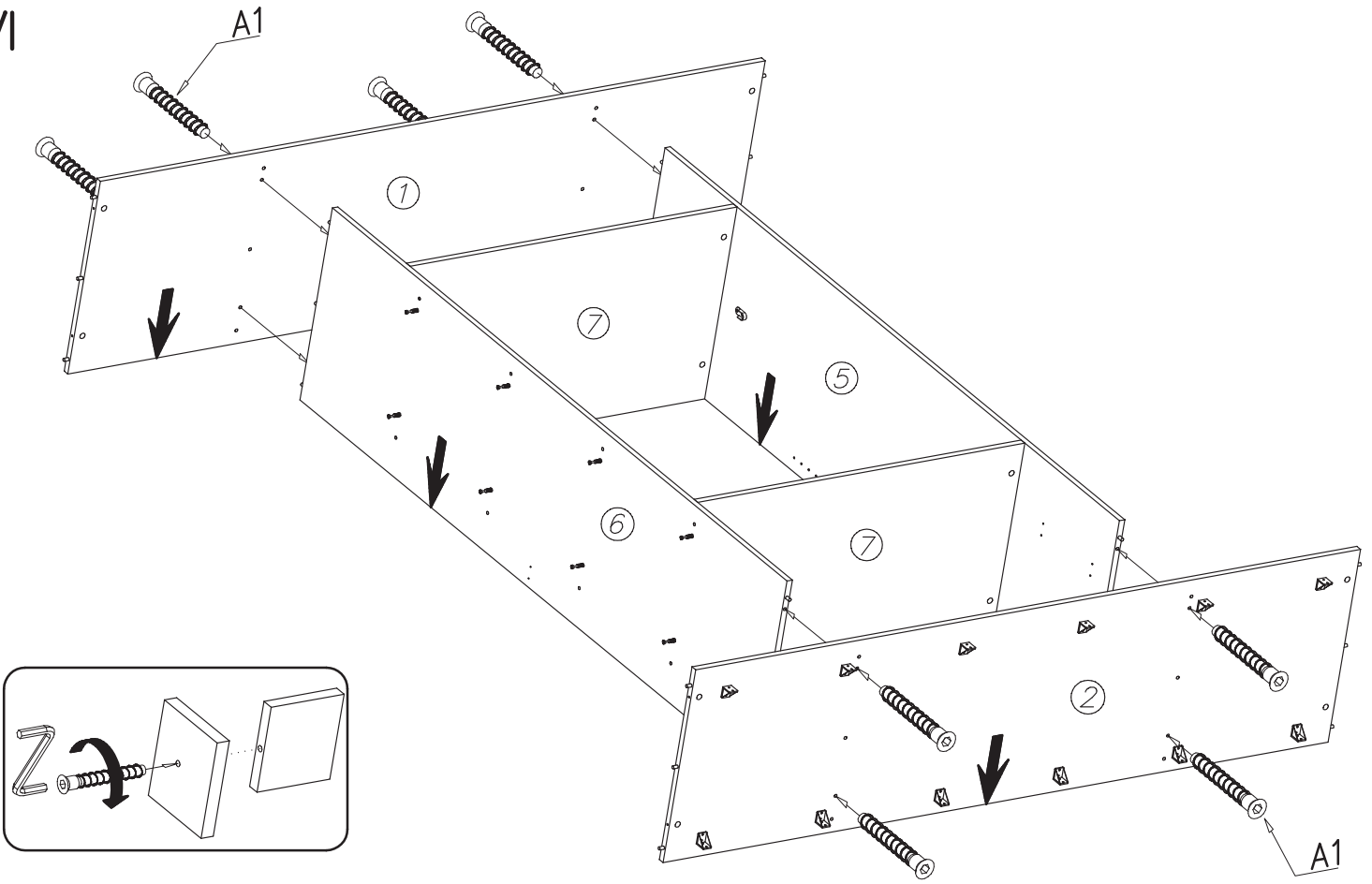
IV



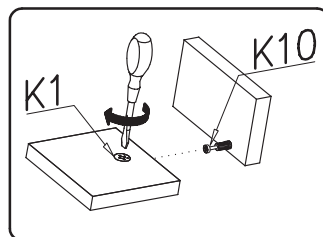
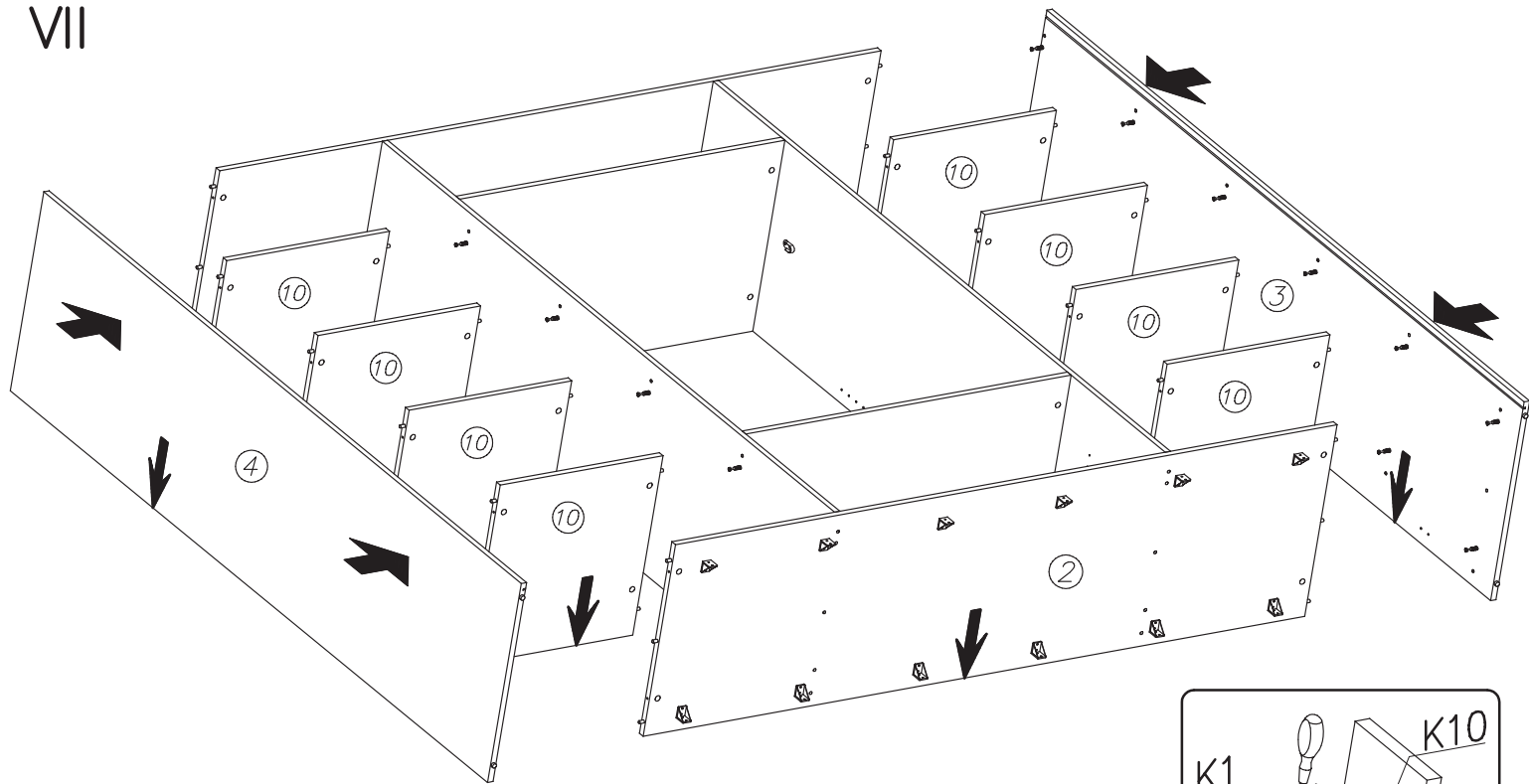
V



VI

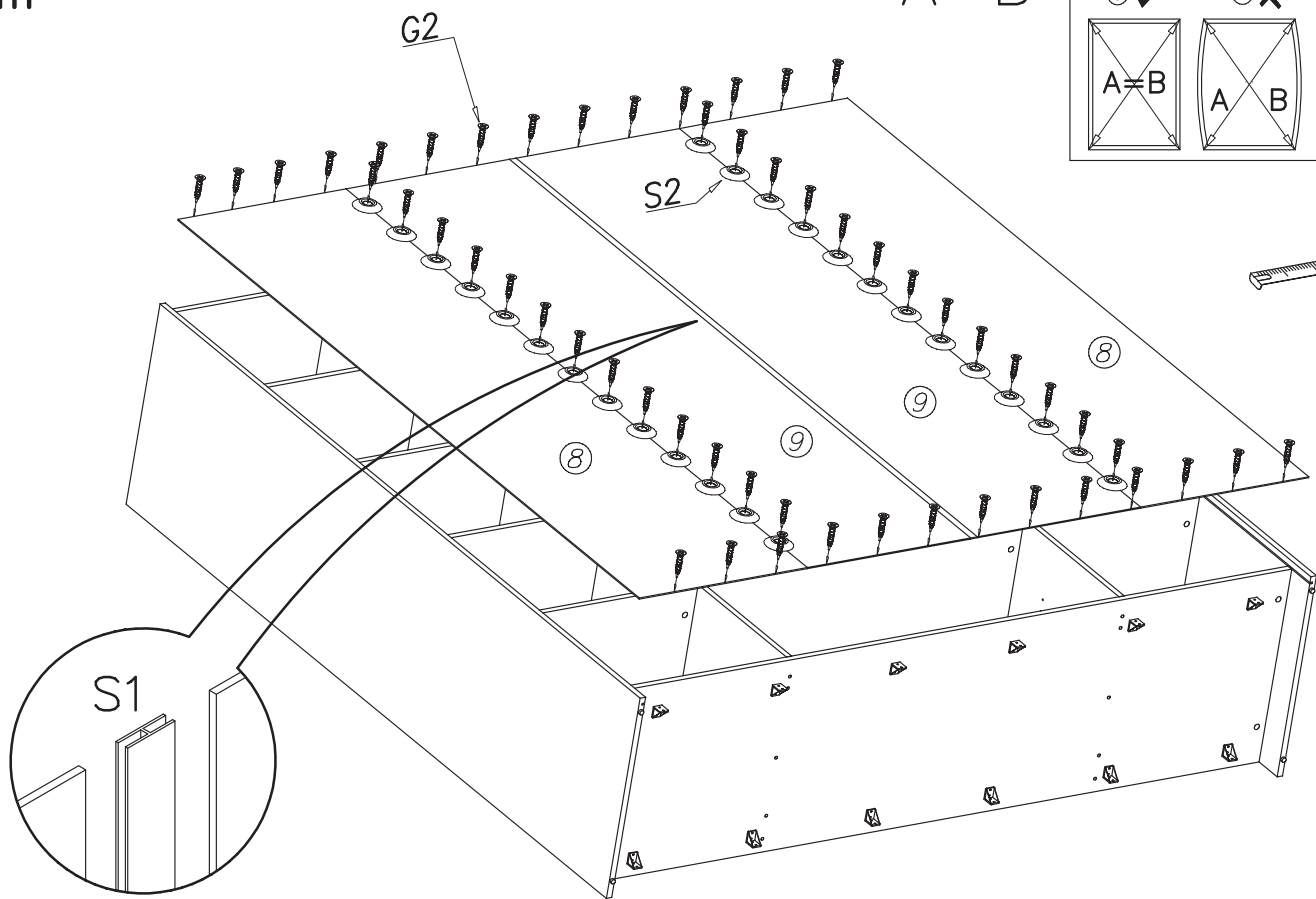
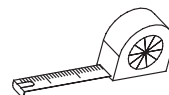
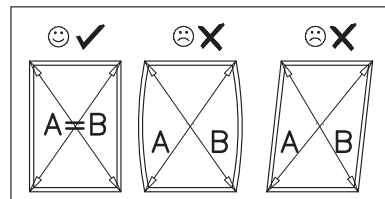


VII

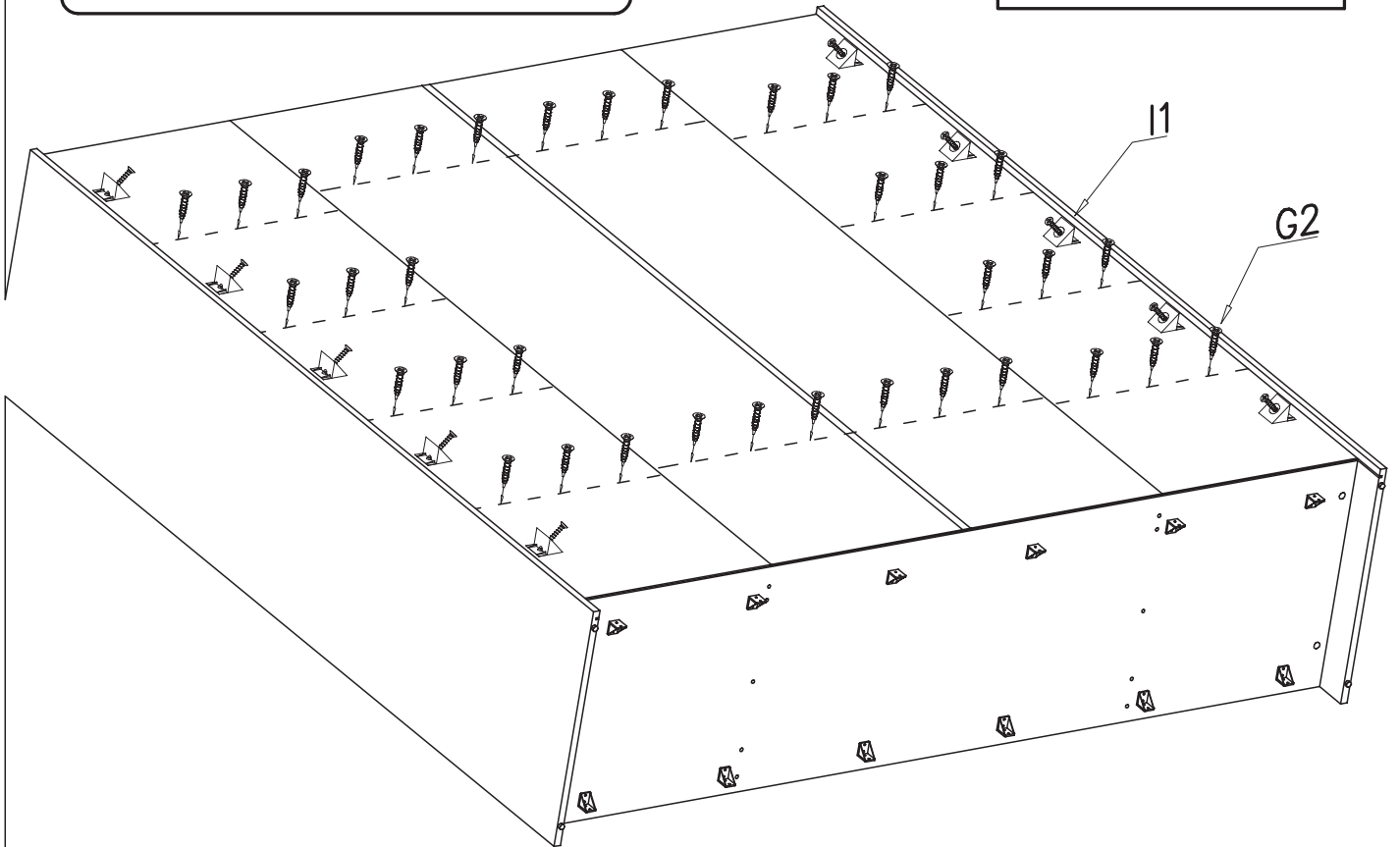
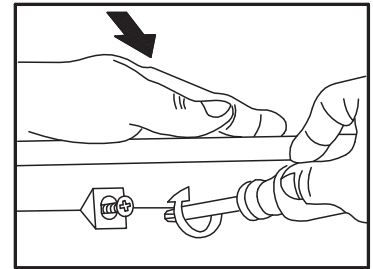
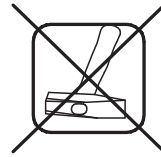
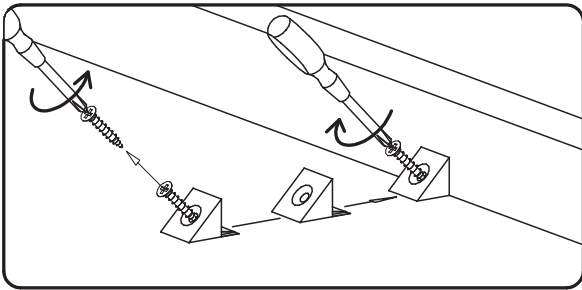
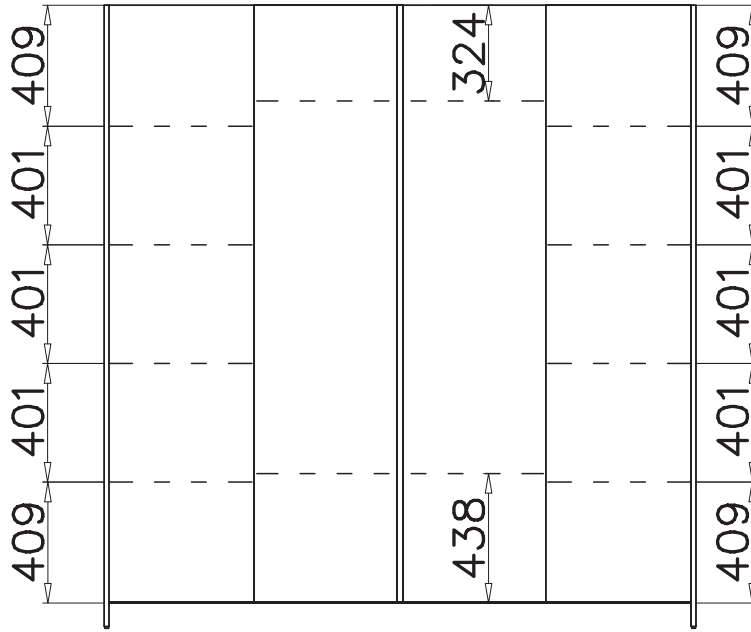


VIII

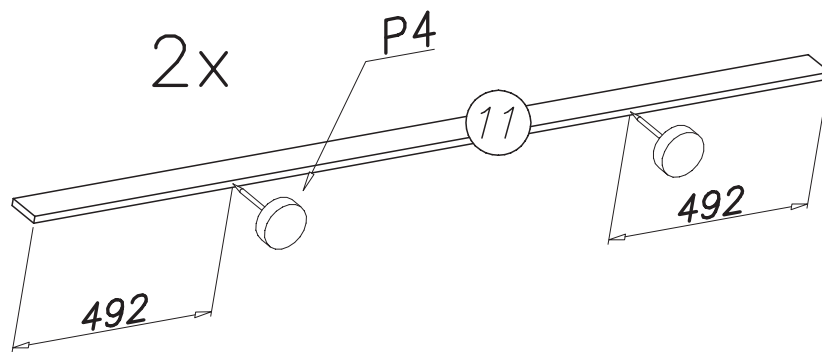
A=B



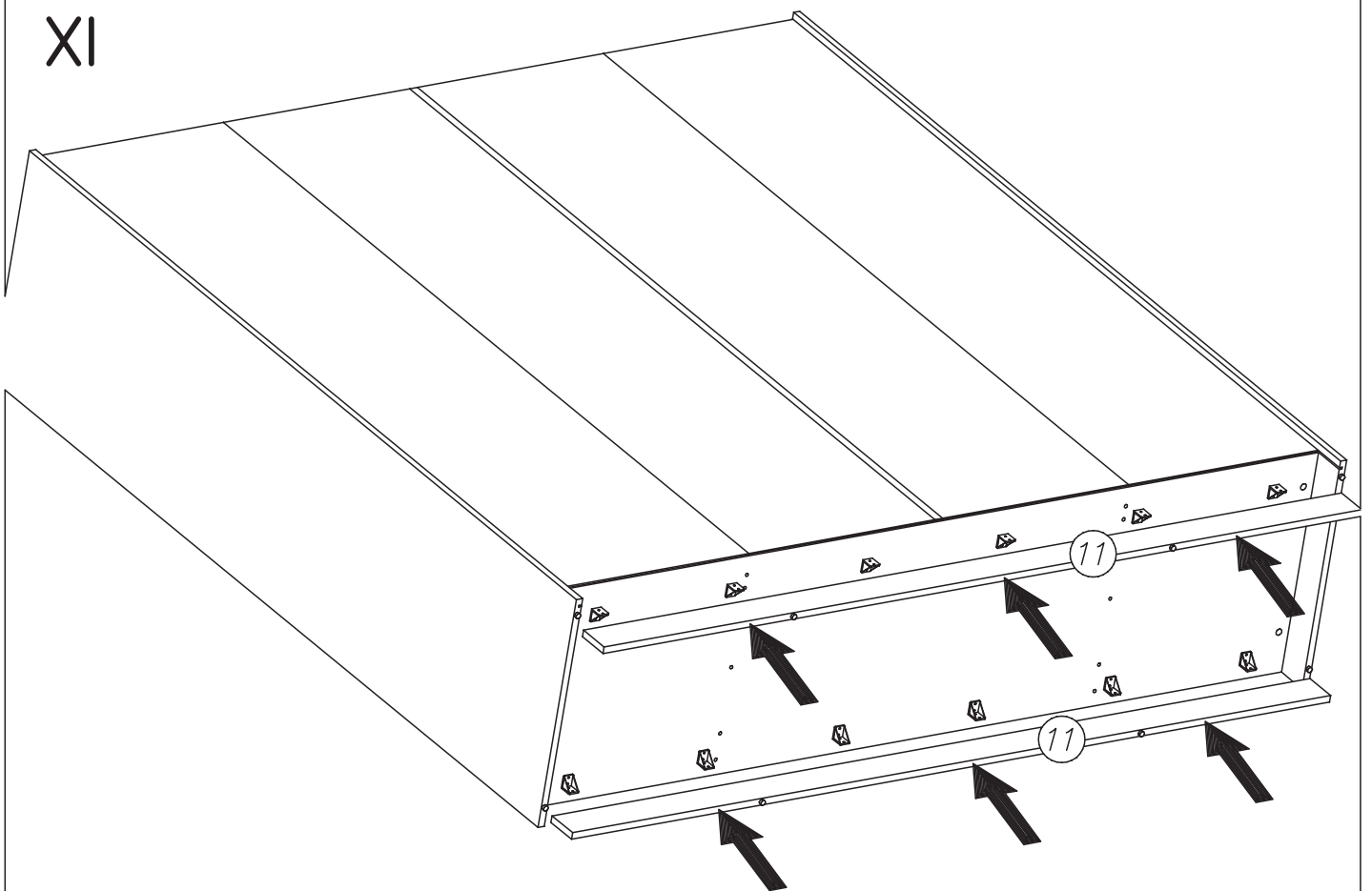
IX



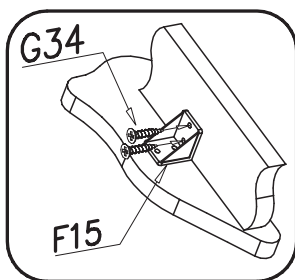
X



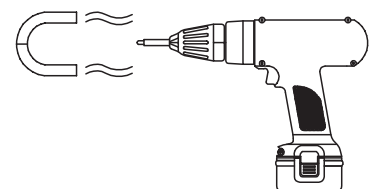
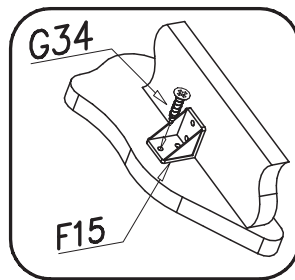
XI



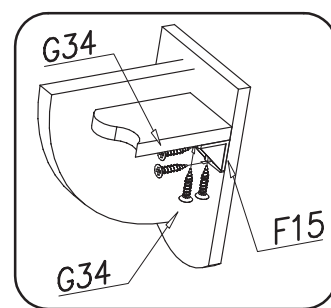
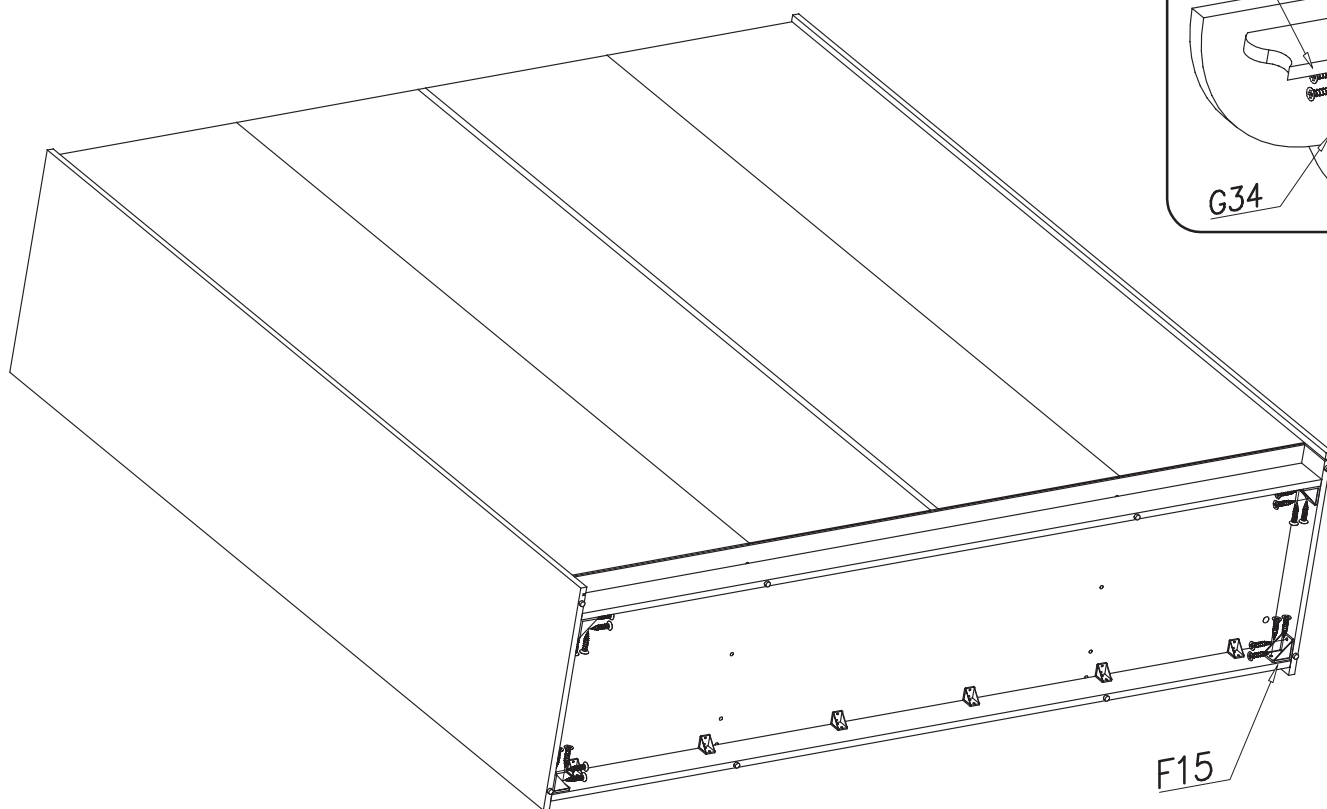
1.



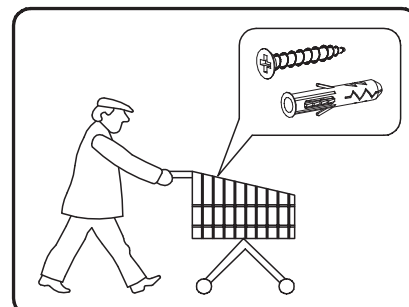
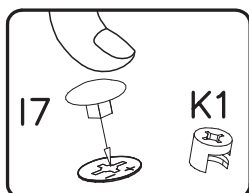
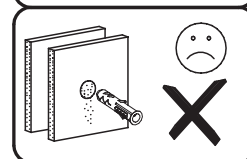
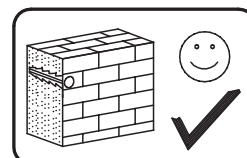
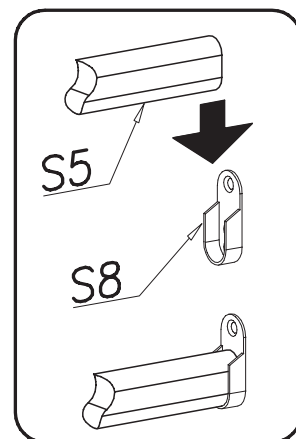
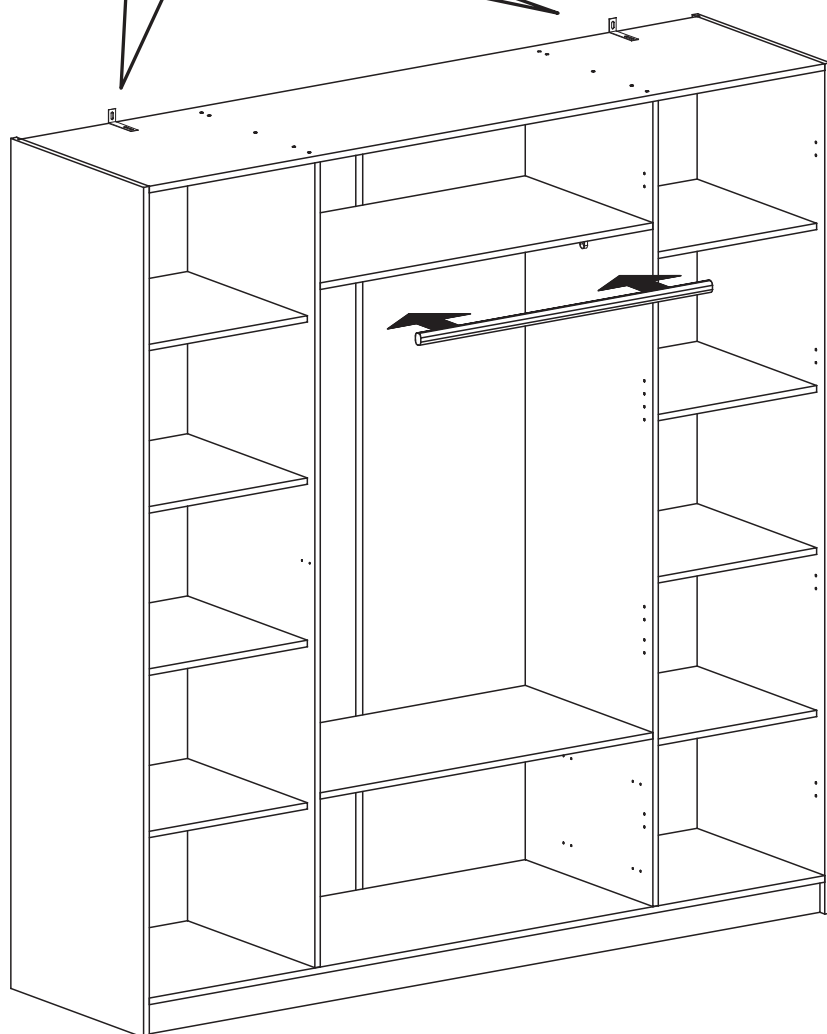
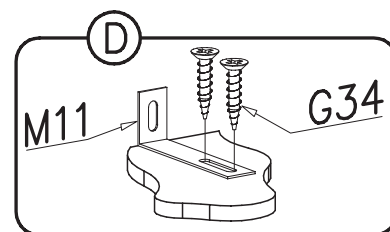
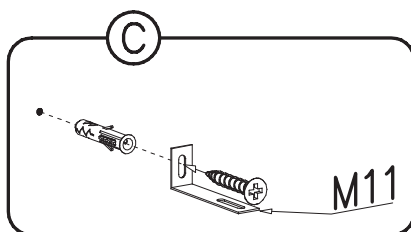
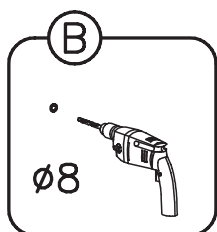
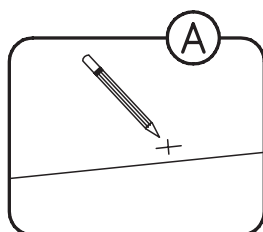
2.



XII

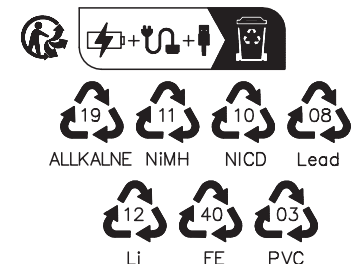
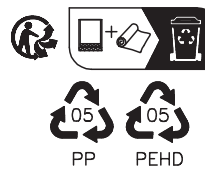
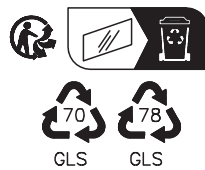
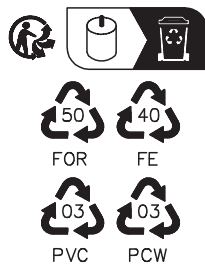
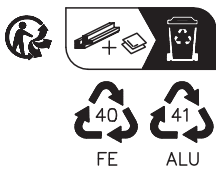
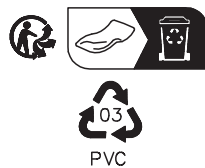
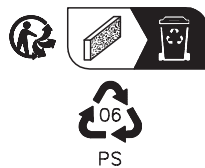
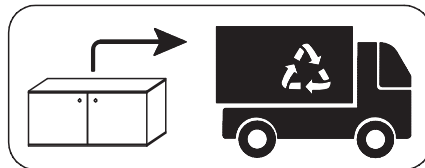
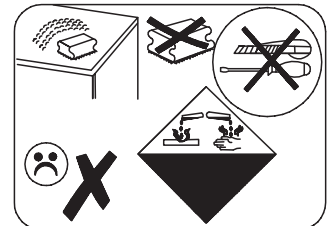
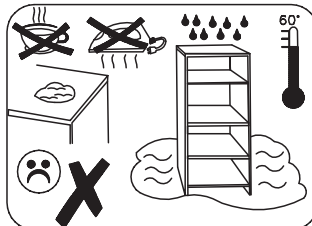
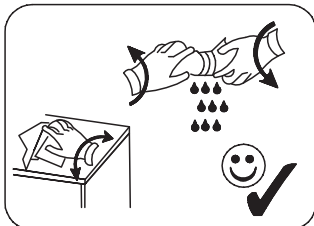
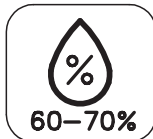
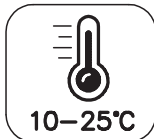
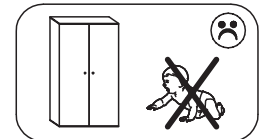
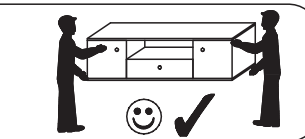
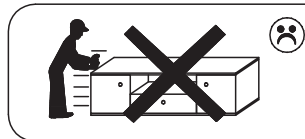
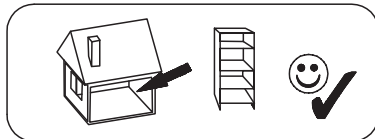
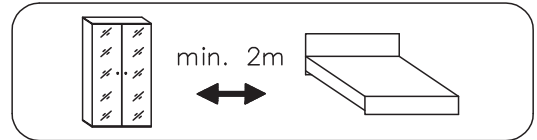
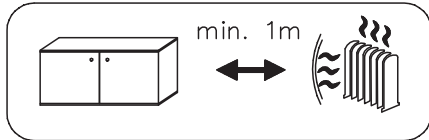
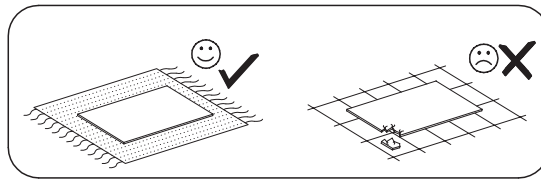
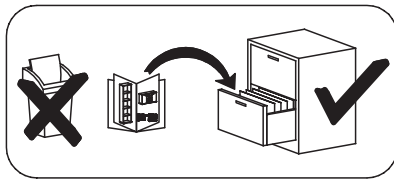


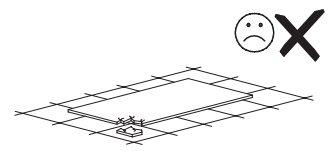
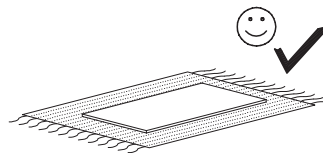
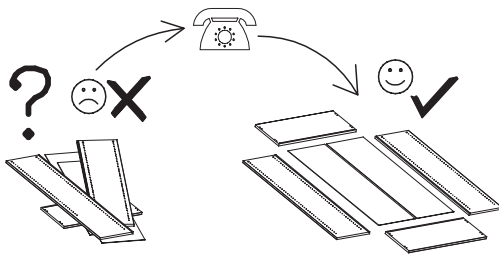
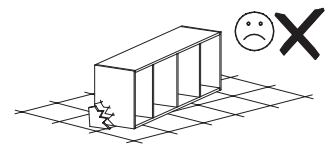
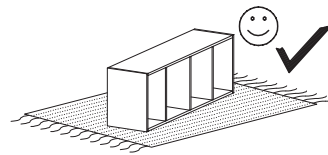
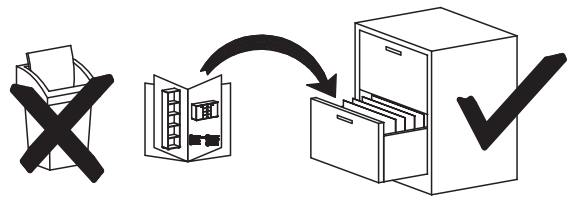
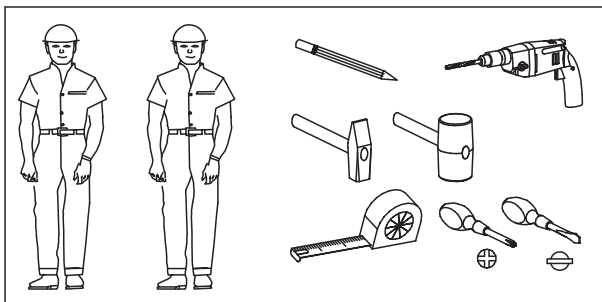
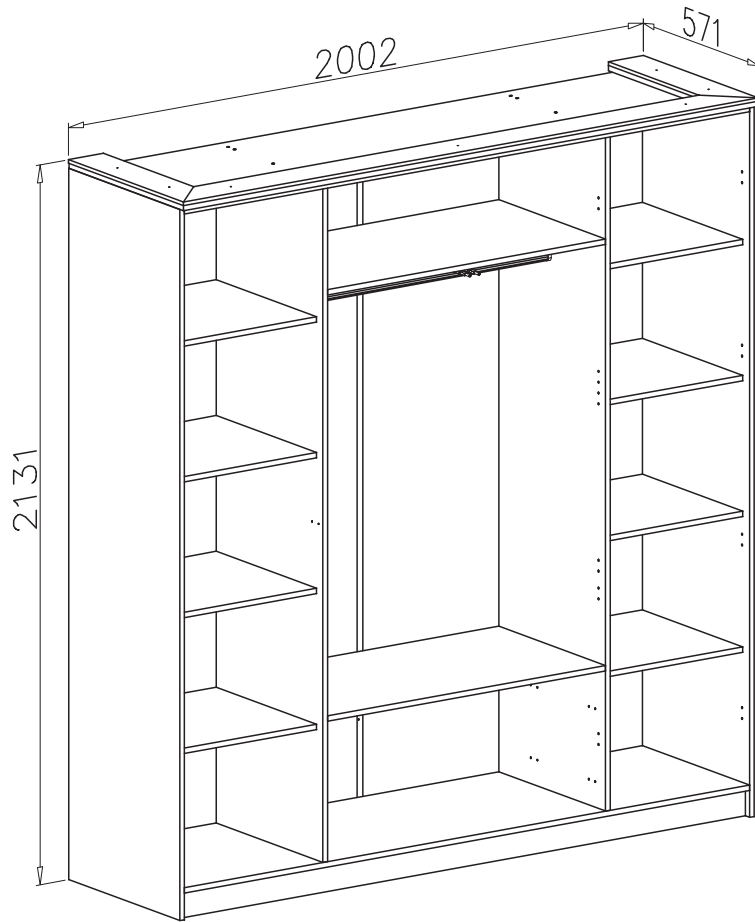
XIII



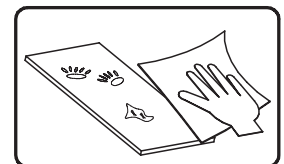
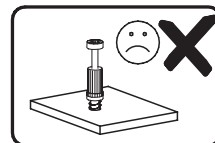
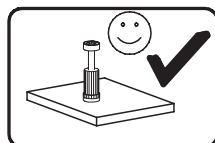


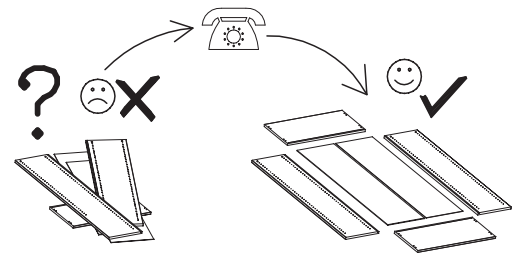
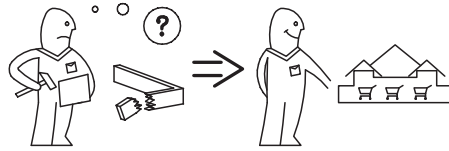
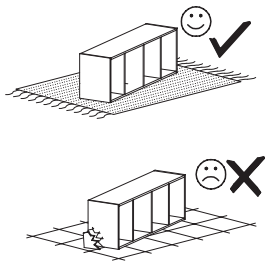
Uwaga • Upozornění • Achtung • Attention • Caution • Figyelem
 Attenzione • Opgelet • Внимание • Atenție • Upozornenie • Dikkat



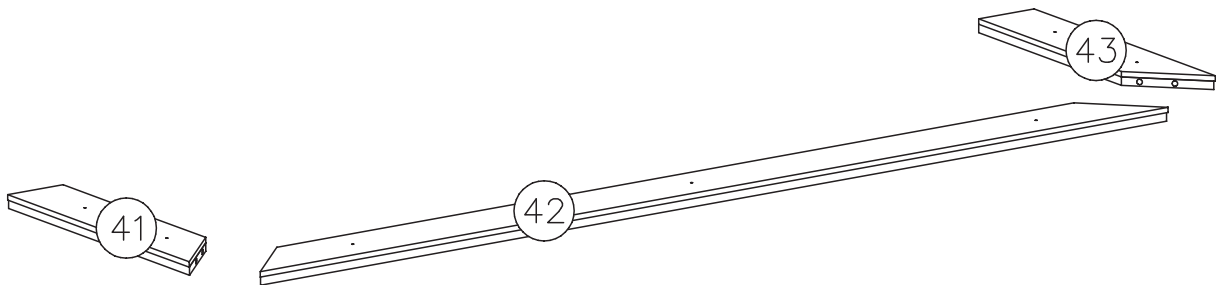


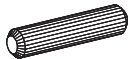

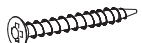
0,5h



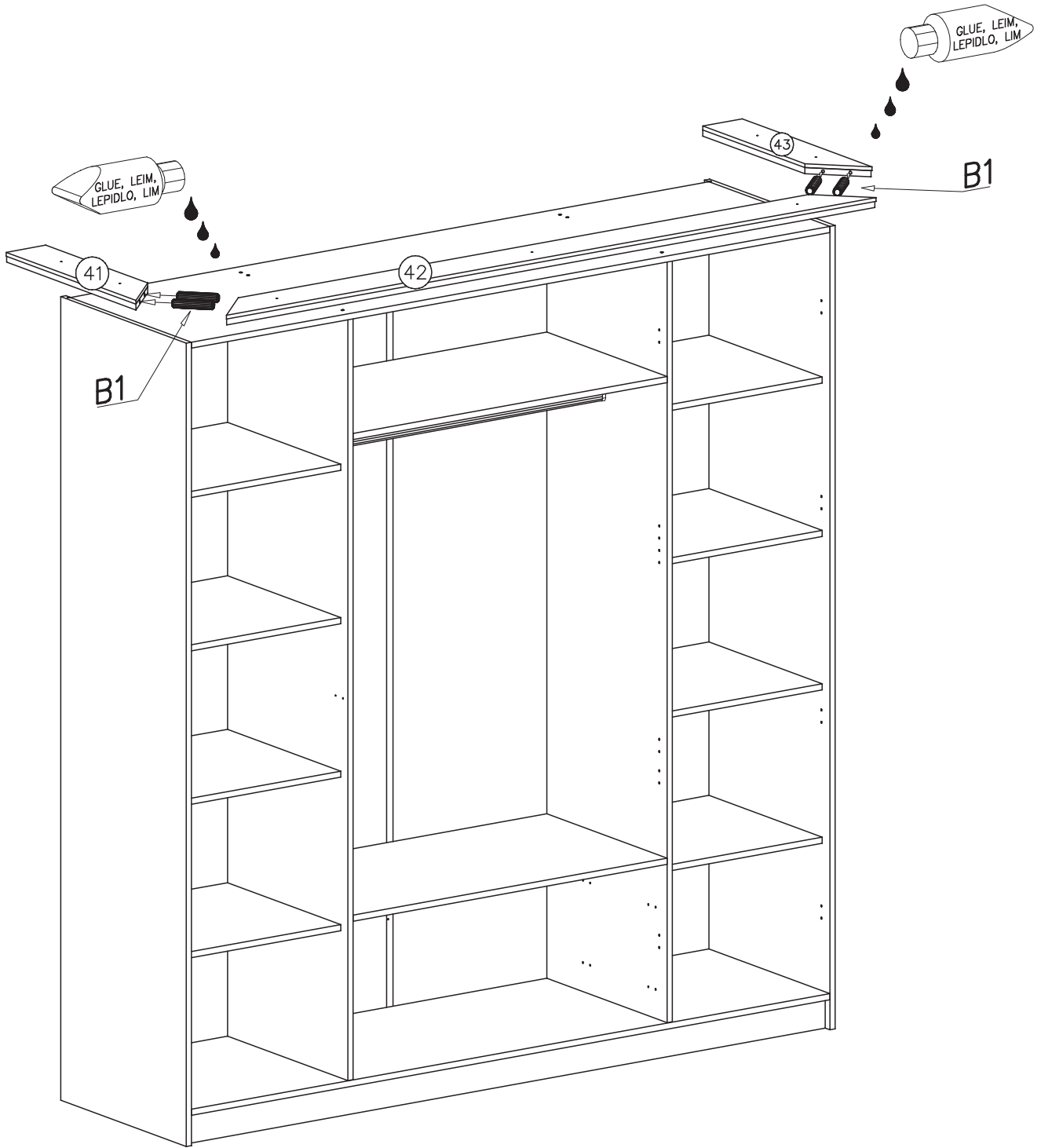


nr	L[mm]	B[mm]	T[mm]	Menge
41	571	82	26	1
42	2002	82	26	1
43	571	82	26	1

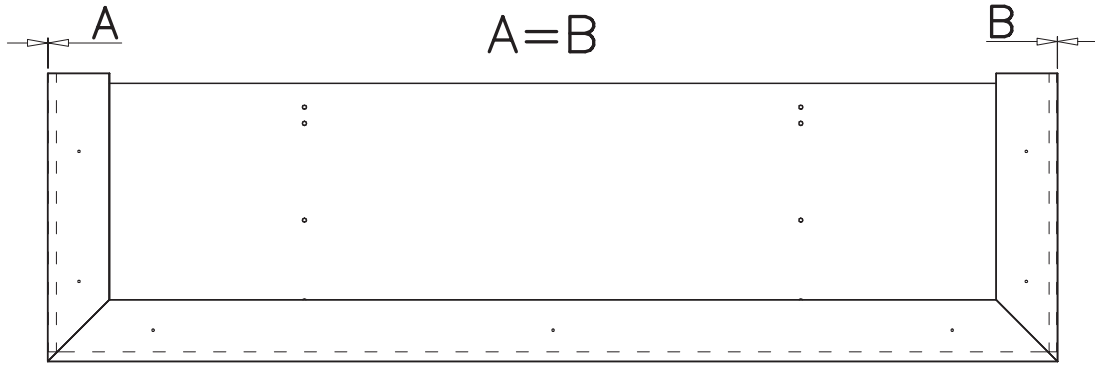


	B1	
	ø8x35	x...(4)
W1		
	x...(1)	
	G23	
	4x40	x...(7)

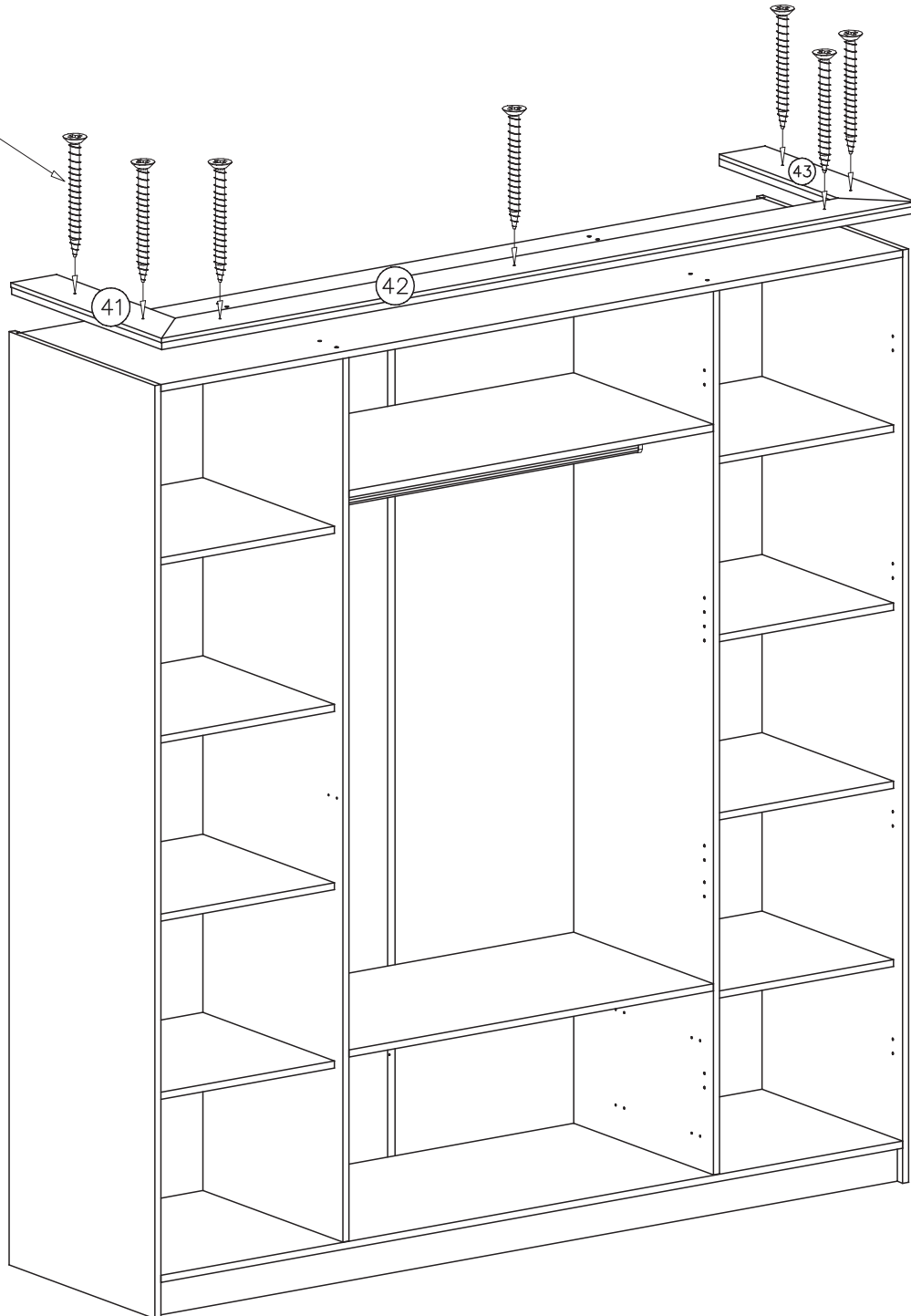
I

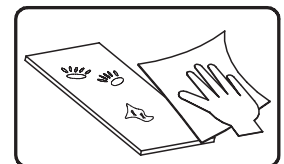
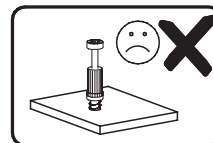
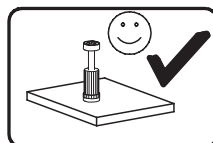
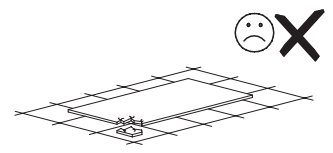
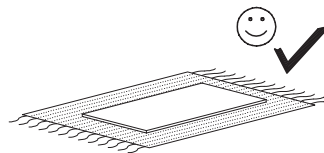
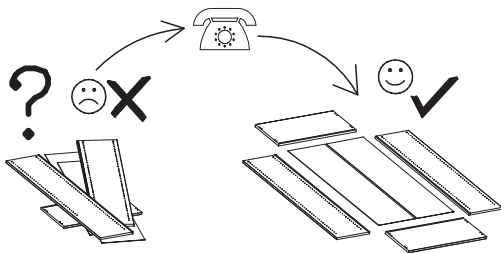
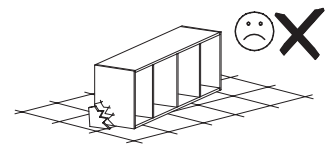
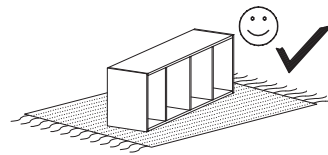
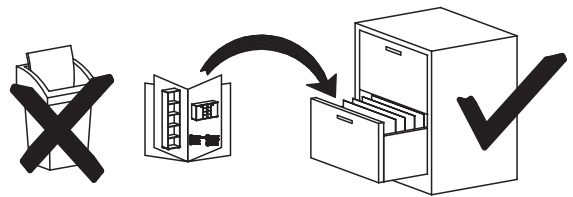
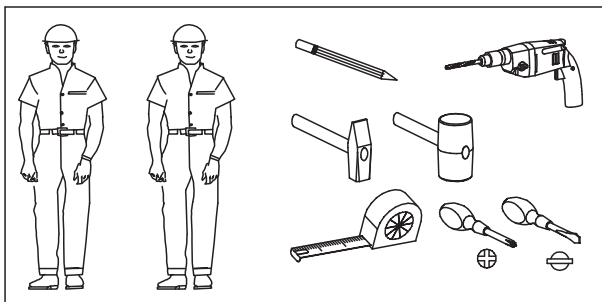
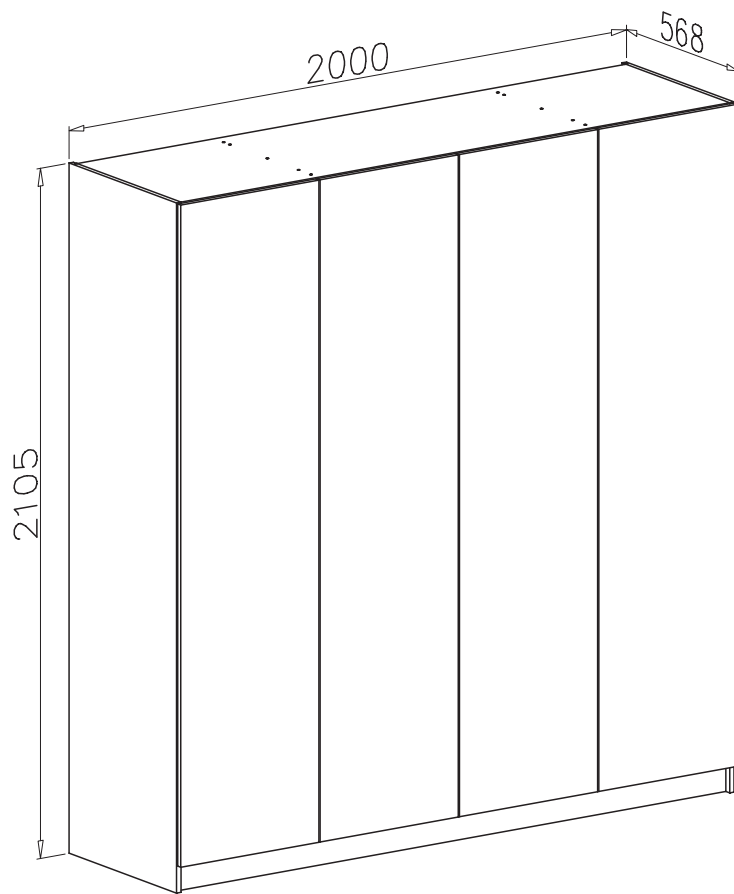


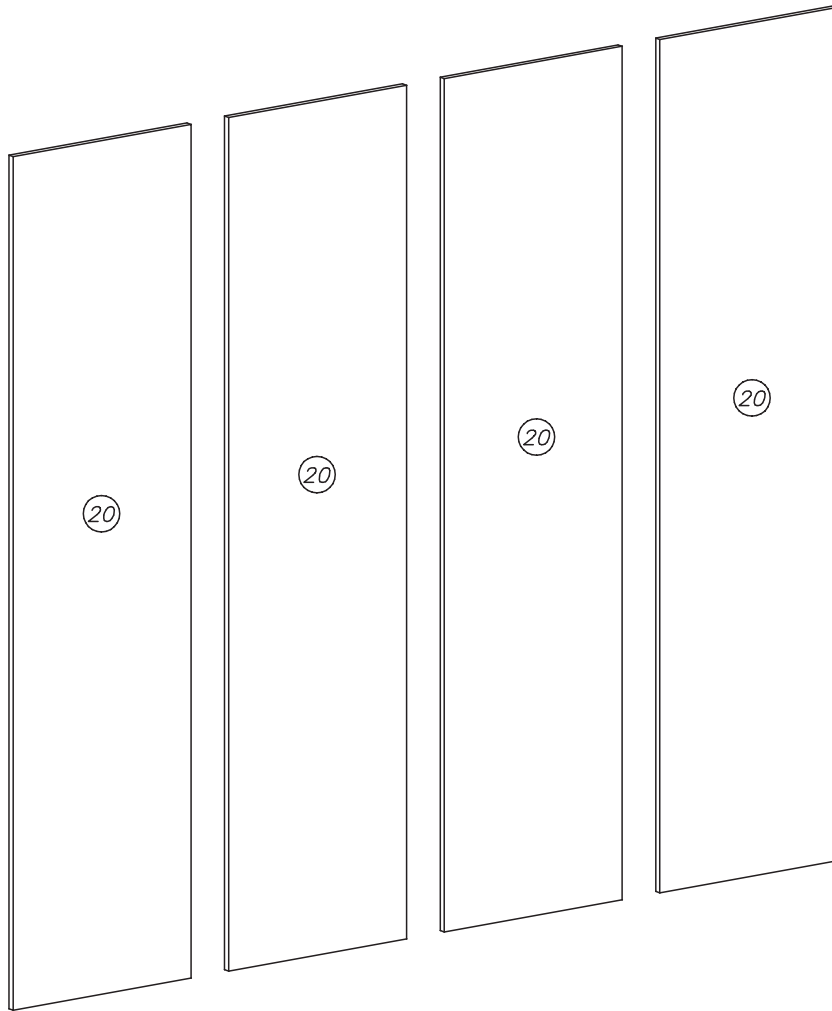
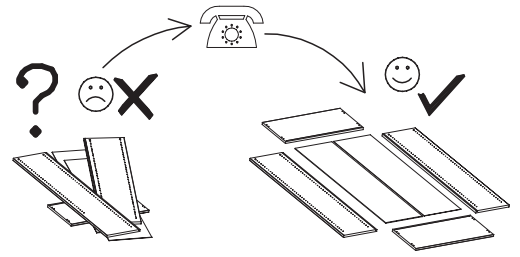
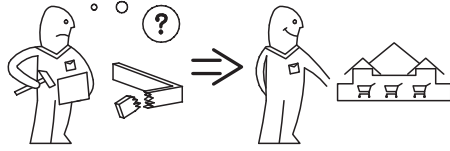
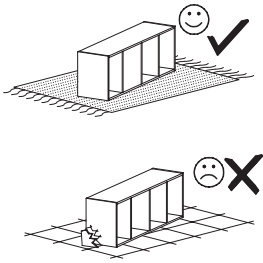
II



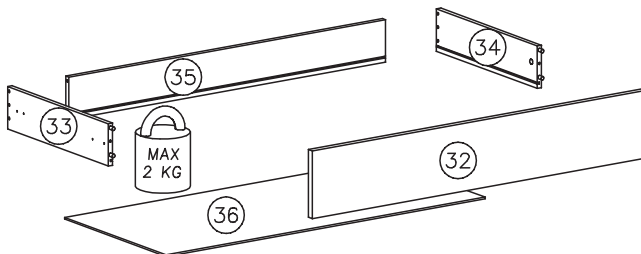
G23

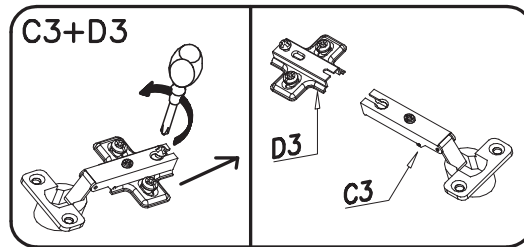
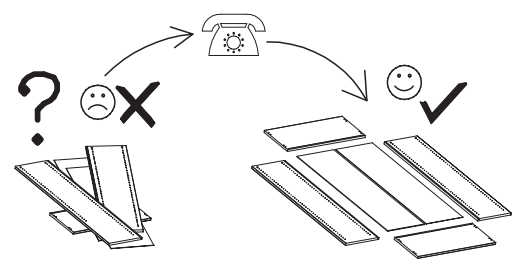
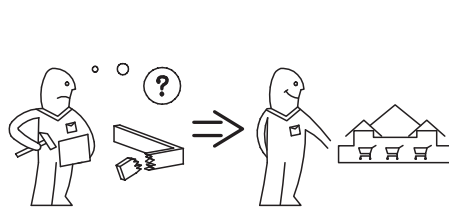
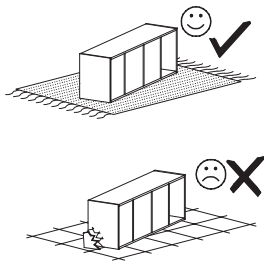


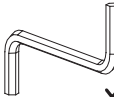

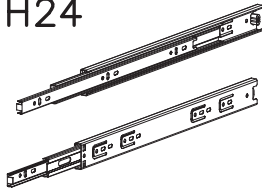
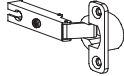
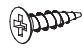

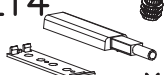
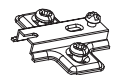
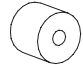

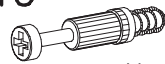






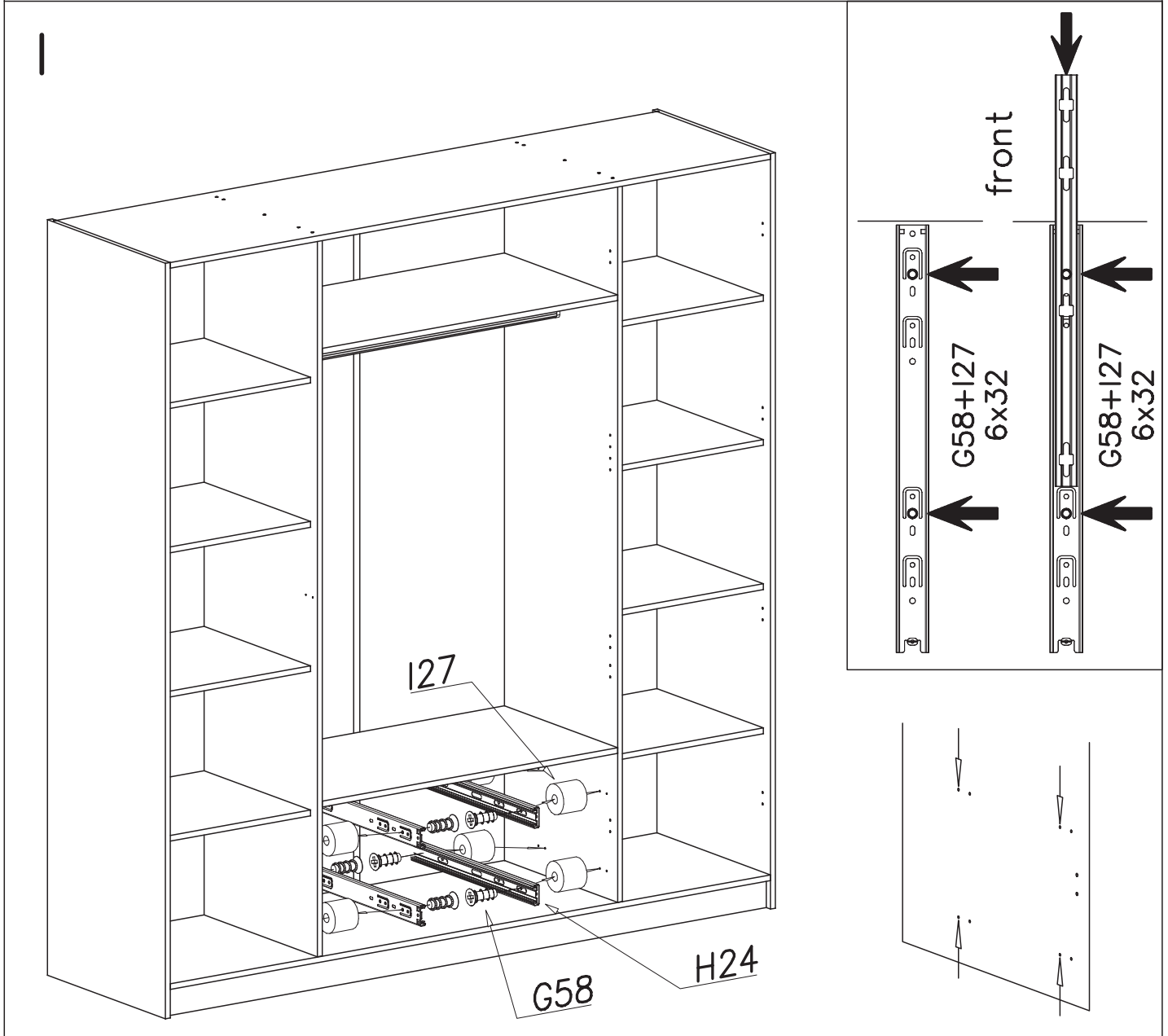
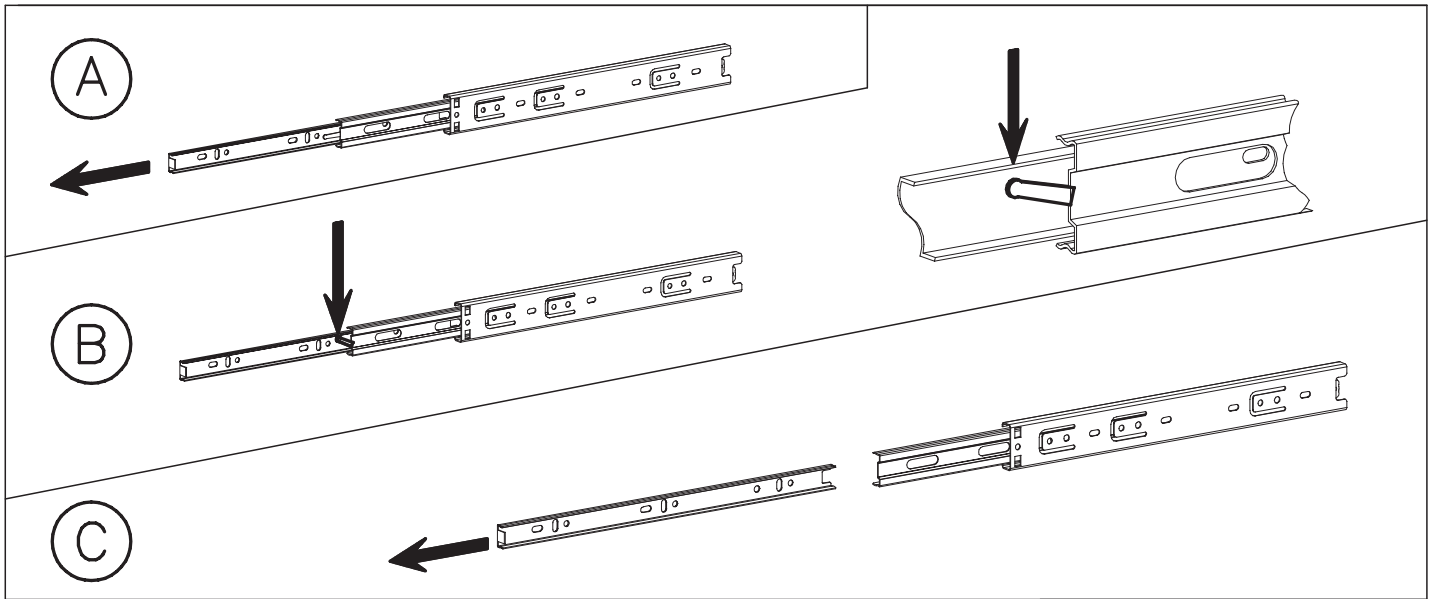


nr	L[mm]	B[mm]	T[mm]	Menge
20	2014	495	16	4
32	932	160	16	2
33	400	100	12	2
34	400	100	12	2
35	882	100	12	2
36	892	401	3	2

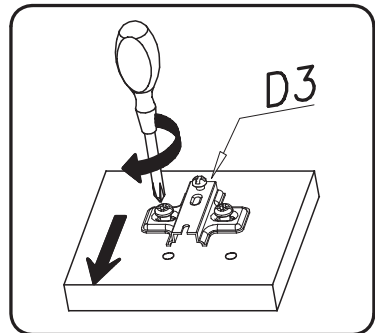
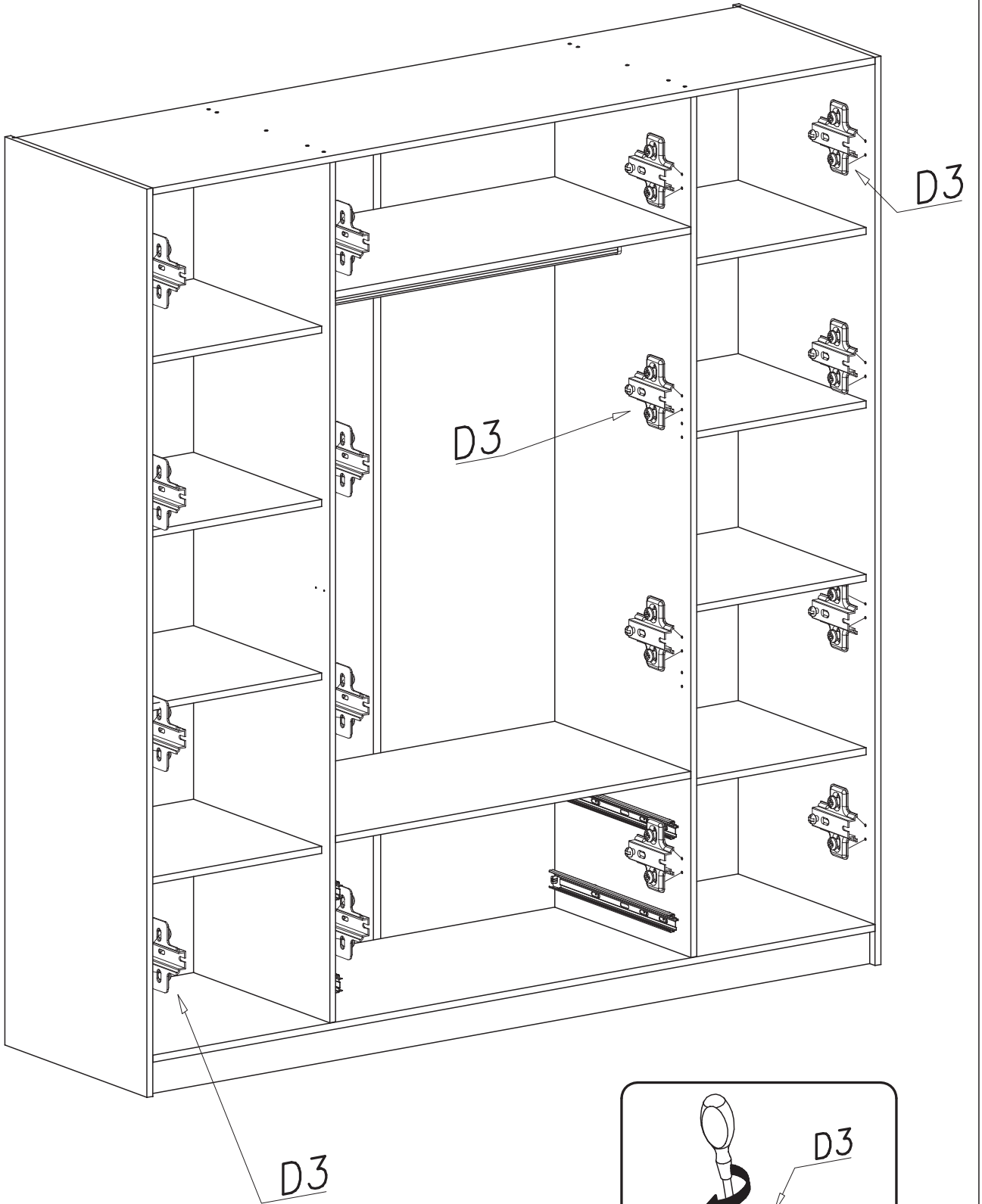




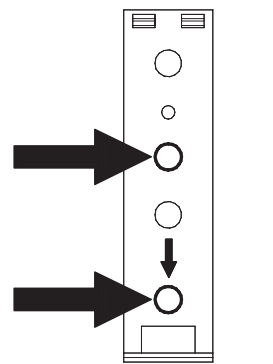
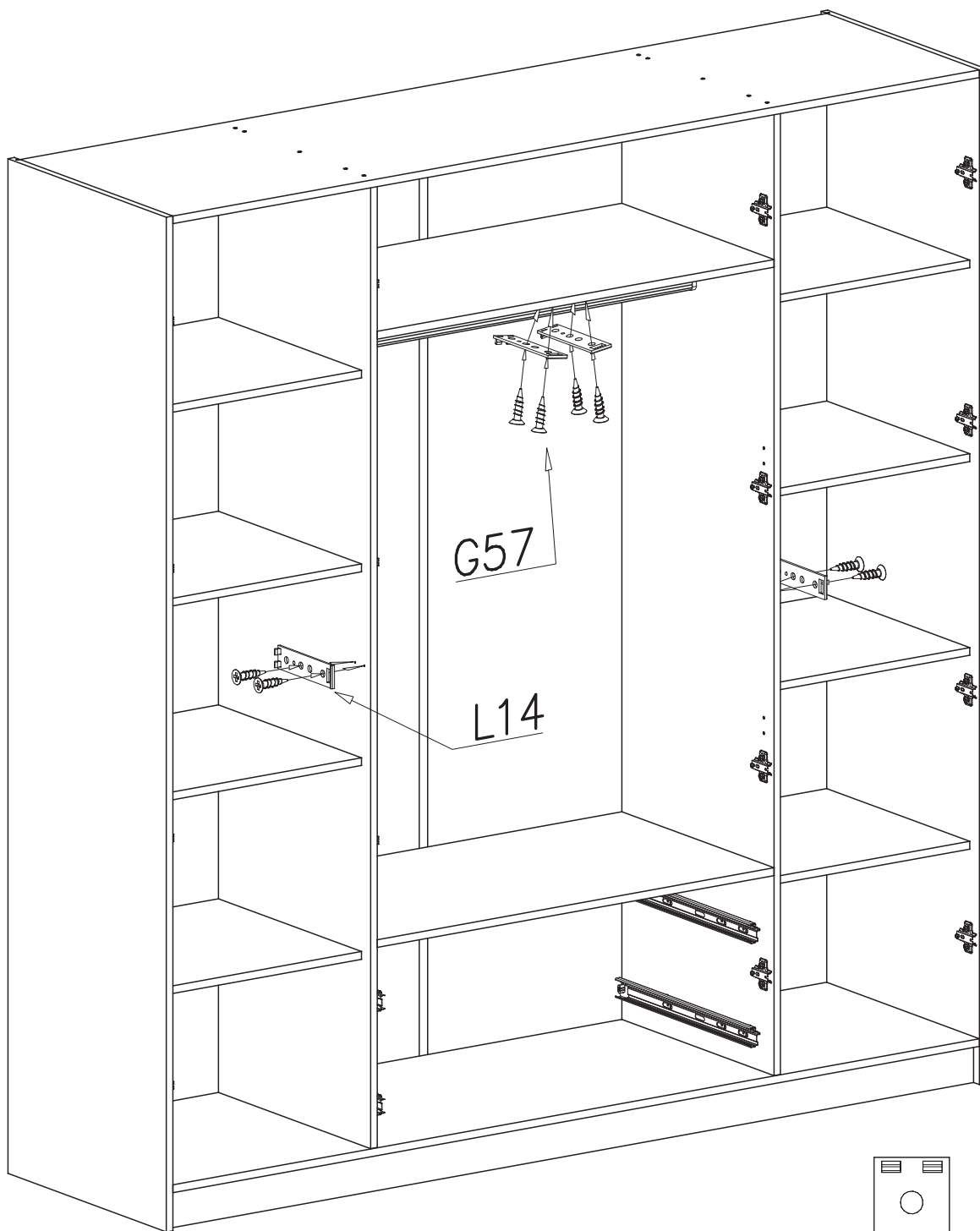
			W2	K4
				
			x...(1)	∅12x10 x...(4)
H24	C3	G34	G57	L14
				
Z35PR x...(16)	Z35PR x...(16)	3,5x16 x...(36)	3,5x16 x...(8)	x...(4)
	D3	I27	M8	
				
H35-400mm x...(2)	PZ35PR x...(16)	18mm x...(8)	400mm x...(2)	
K10	W1	G58	G20	A6
				
x...(4)	x...(1)	6x32 x...(8)	5x11 x...(8)	∅7x40 x...(8)



II

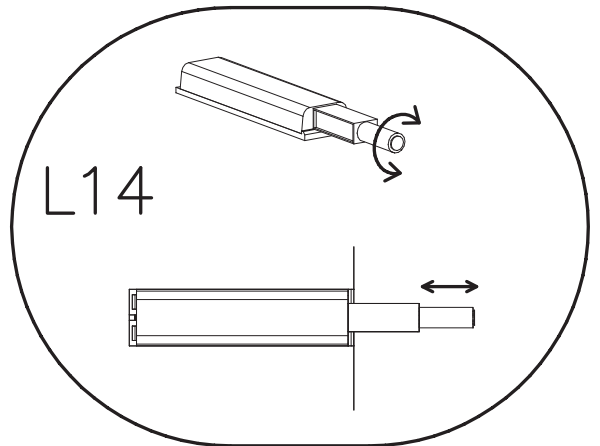
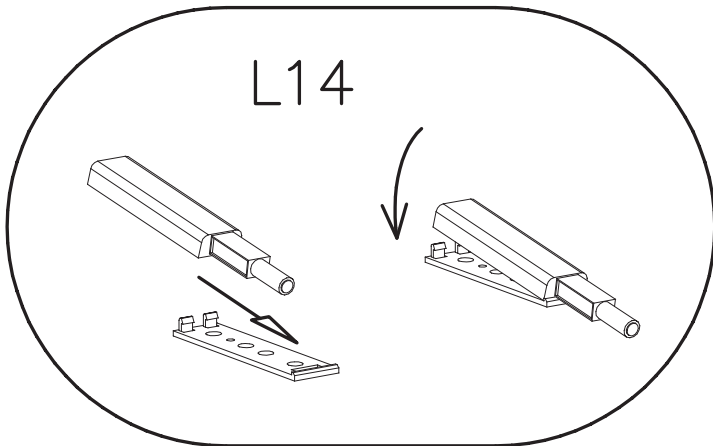
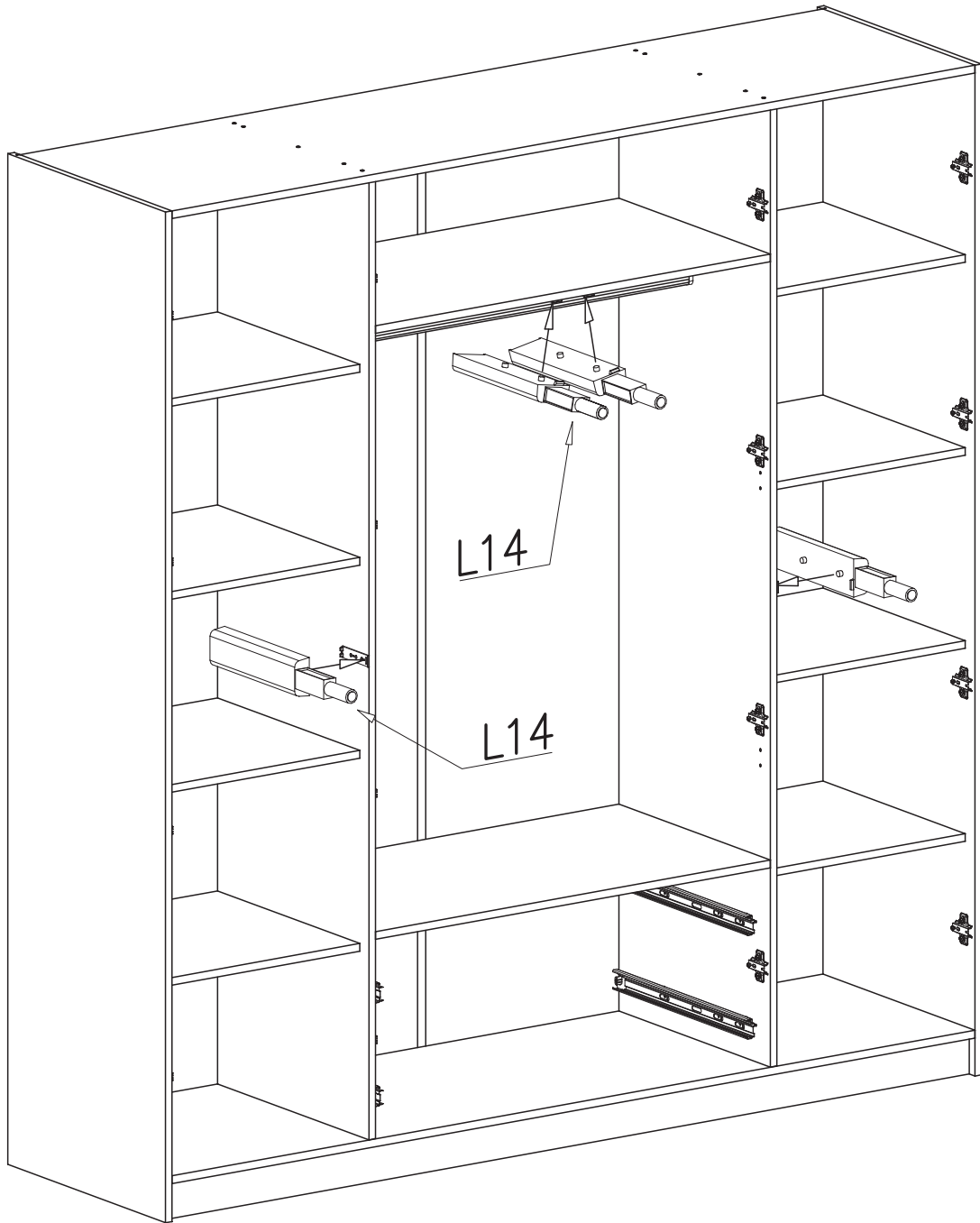


III

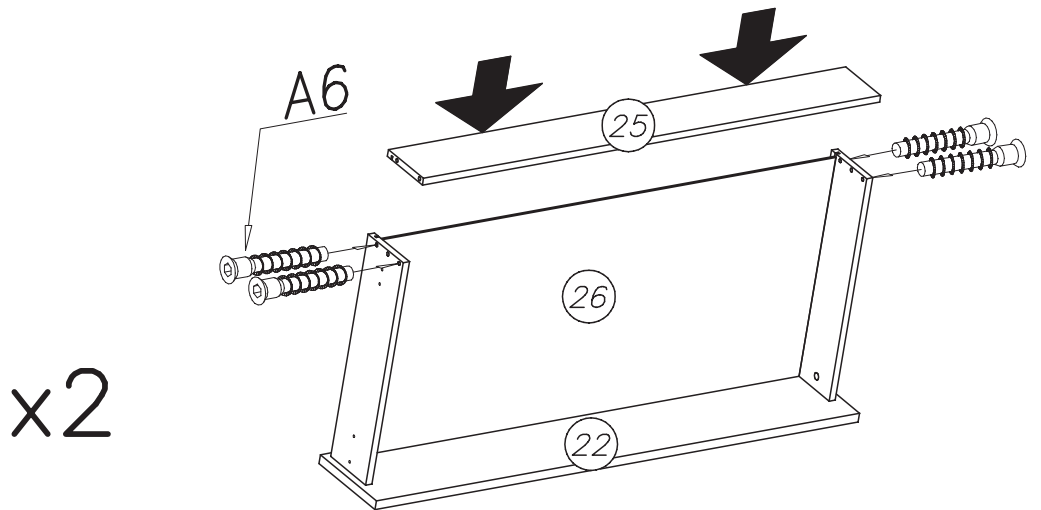
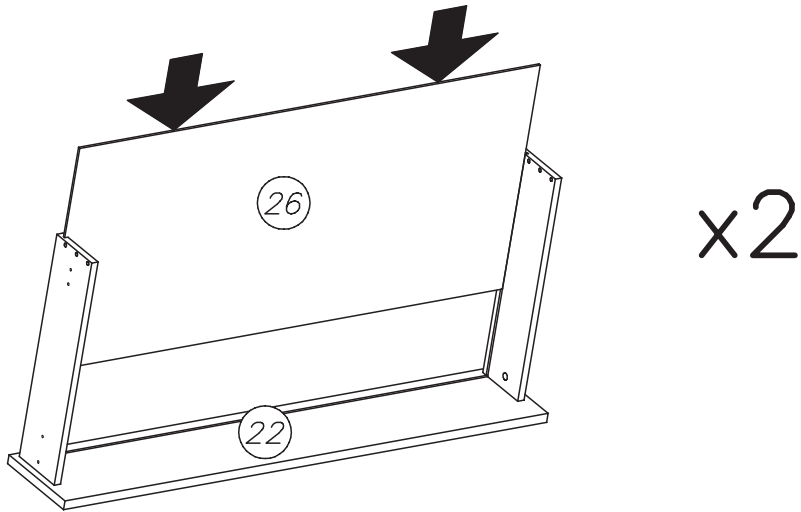
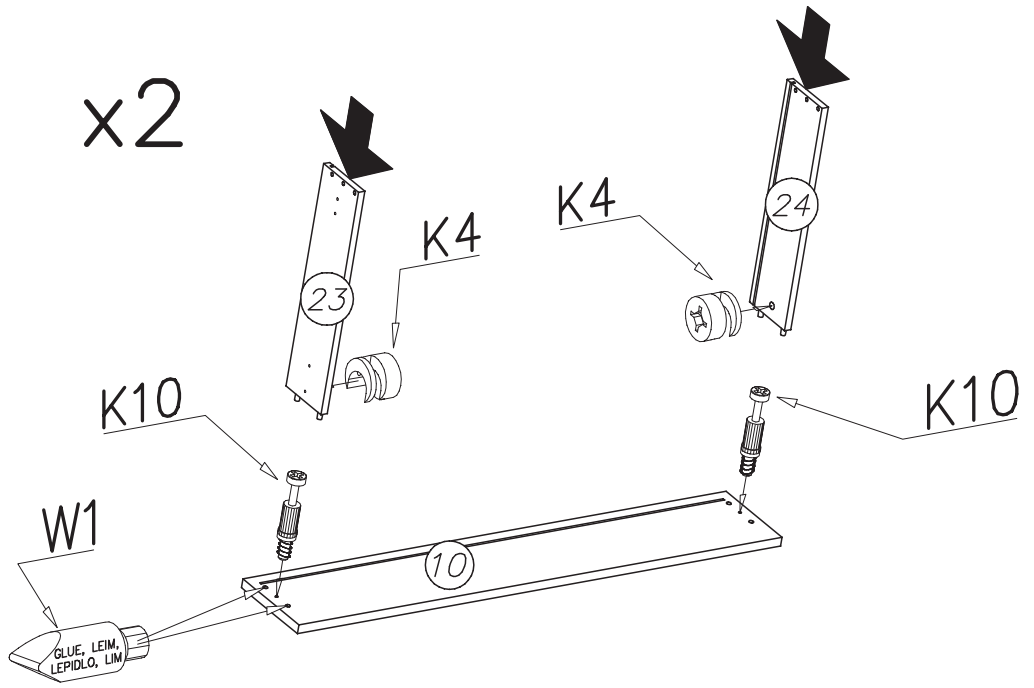


front

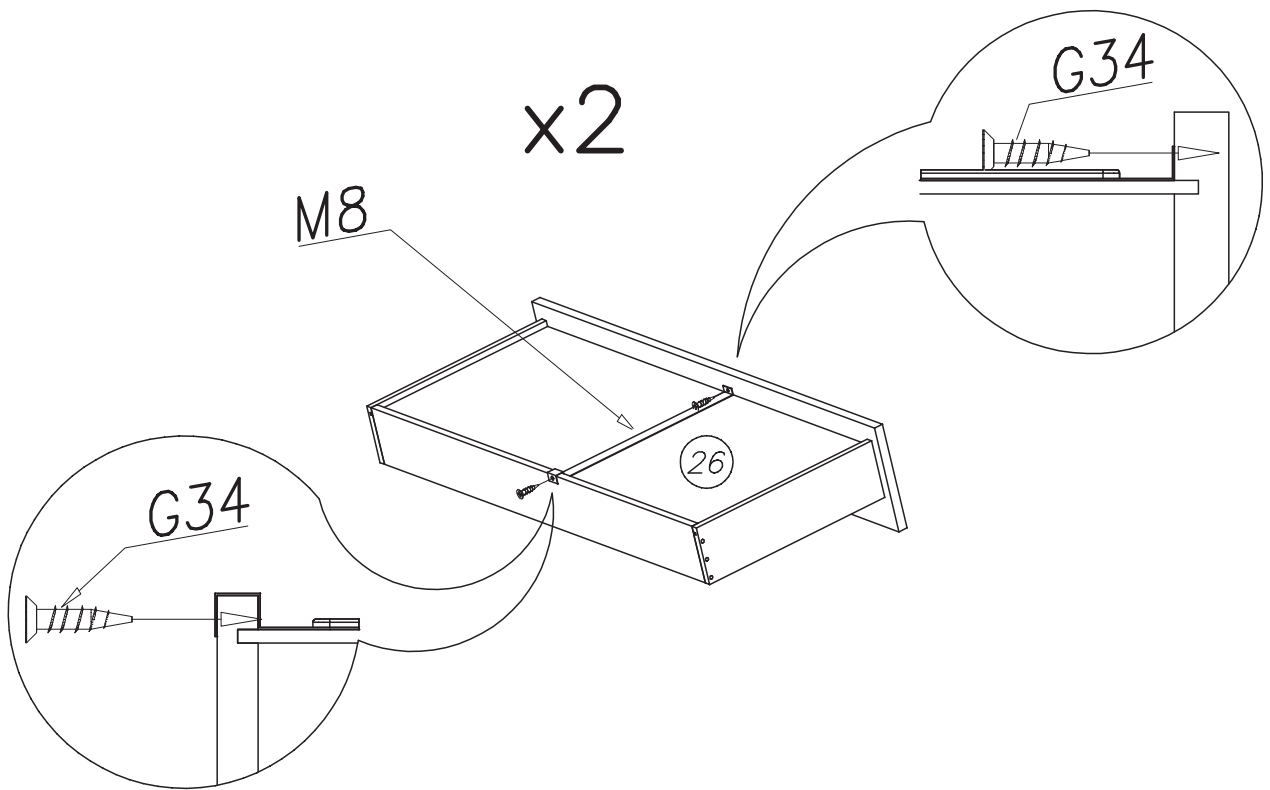
IV



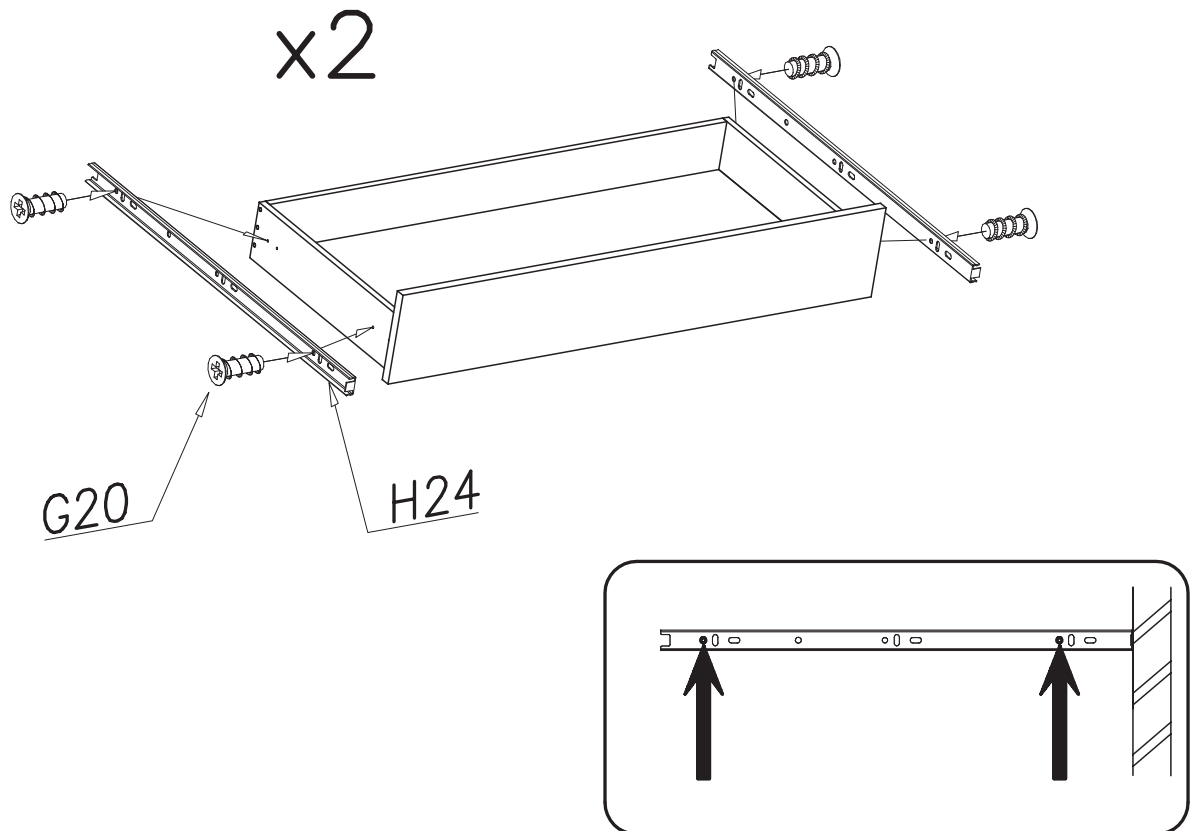
V



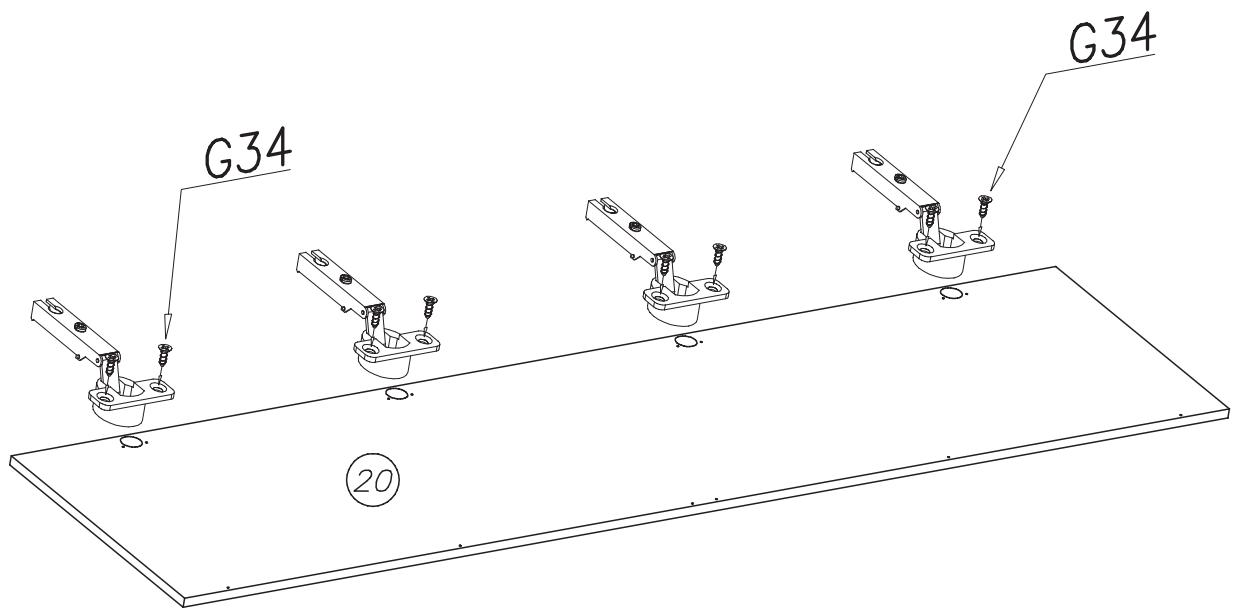
VI



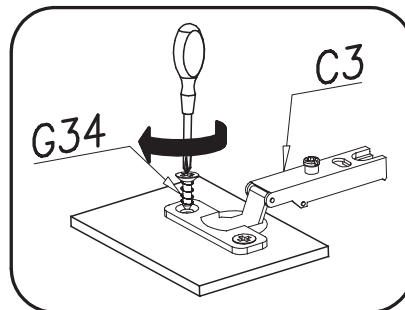
VII



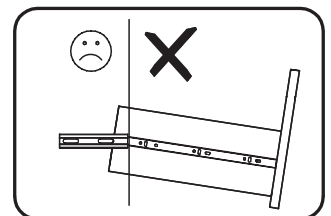
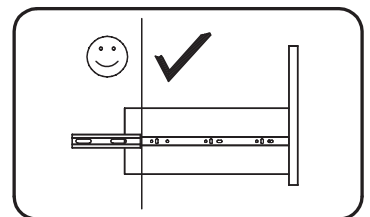
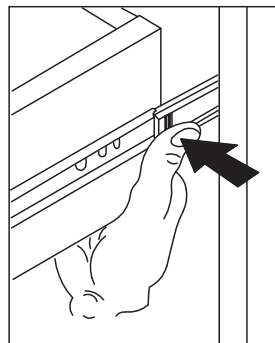
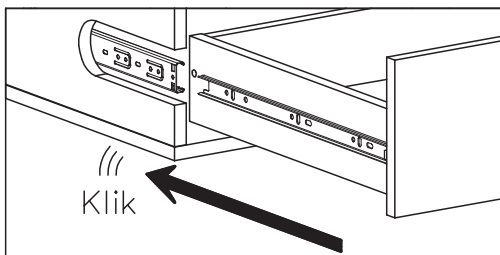
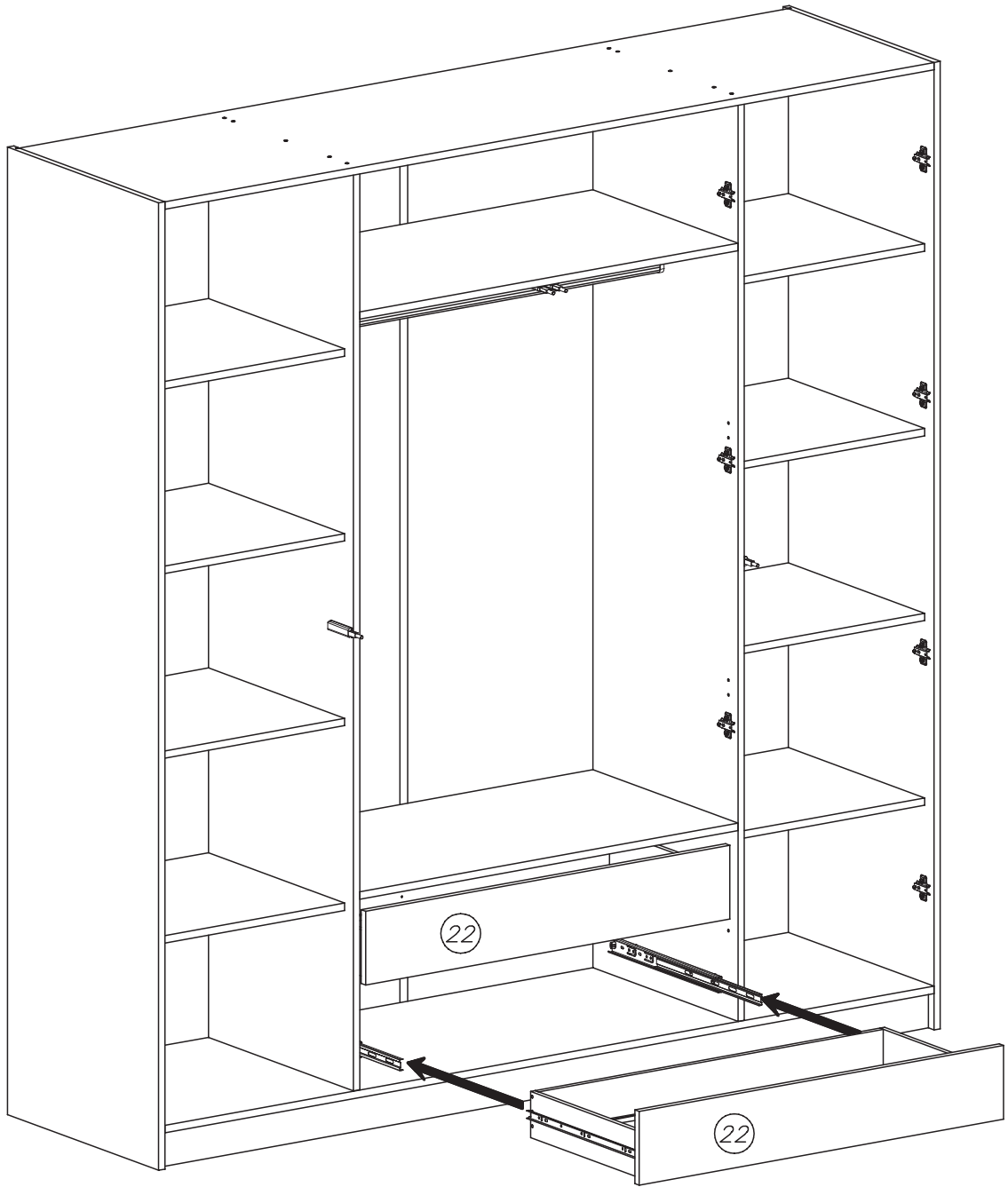
VIII



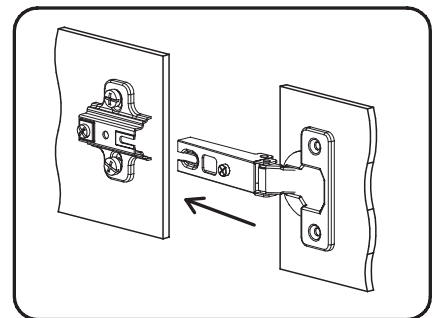
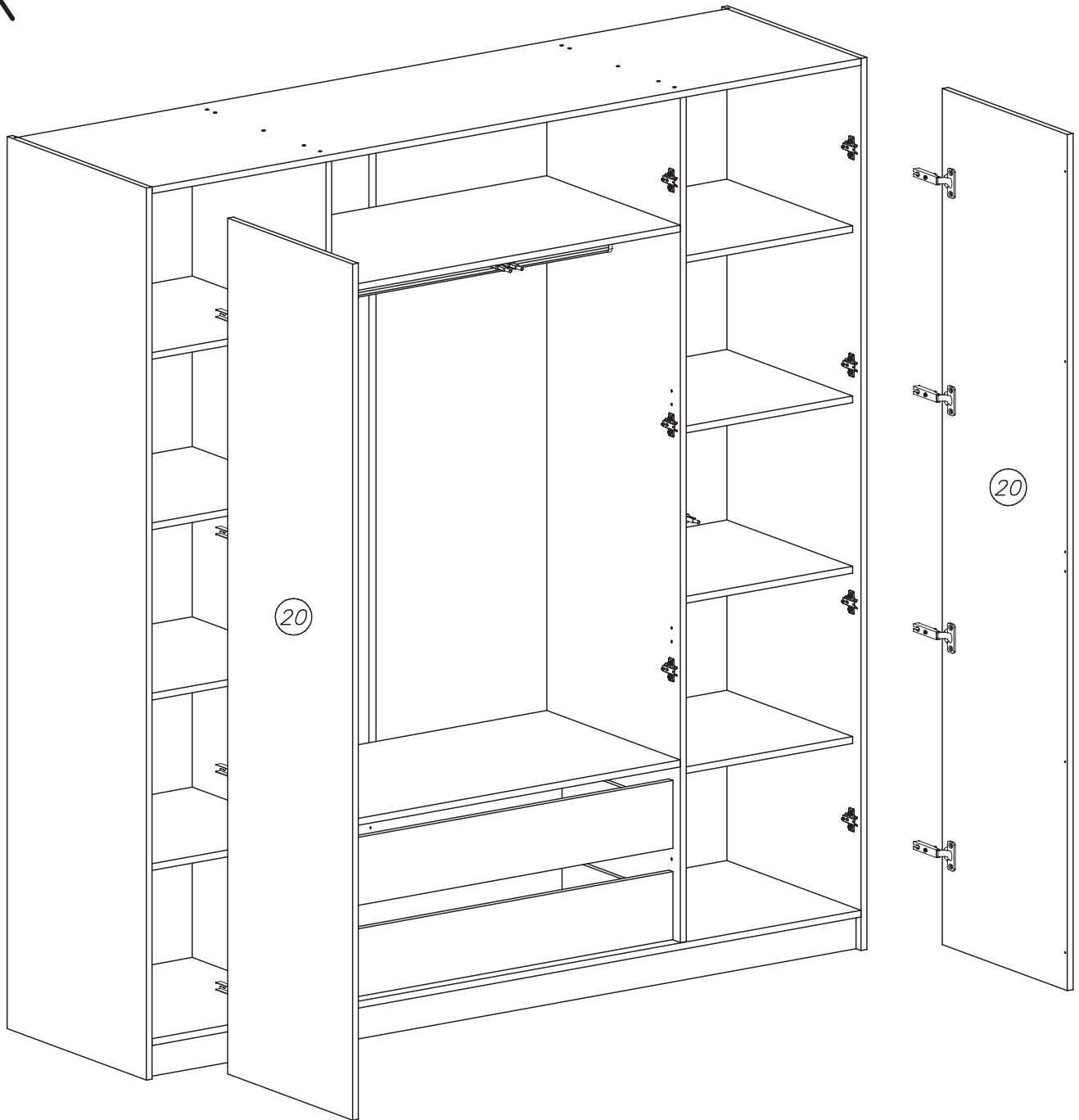
x4



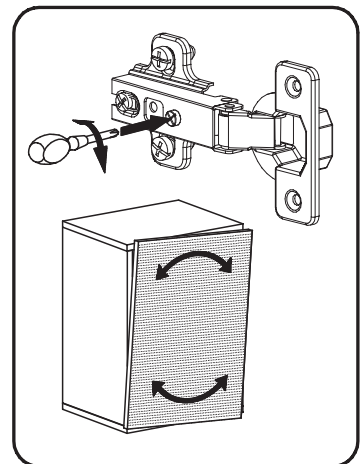
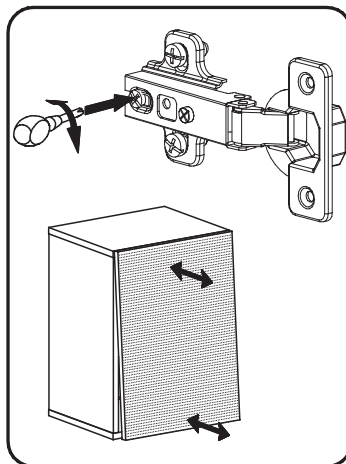
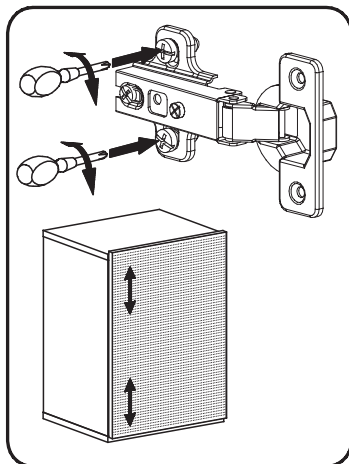
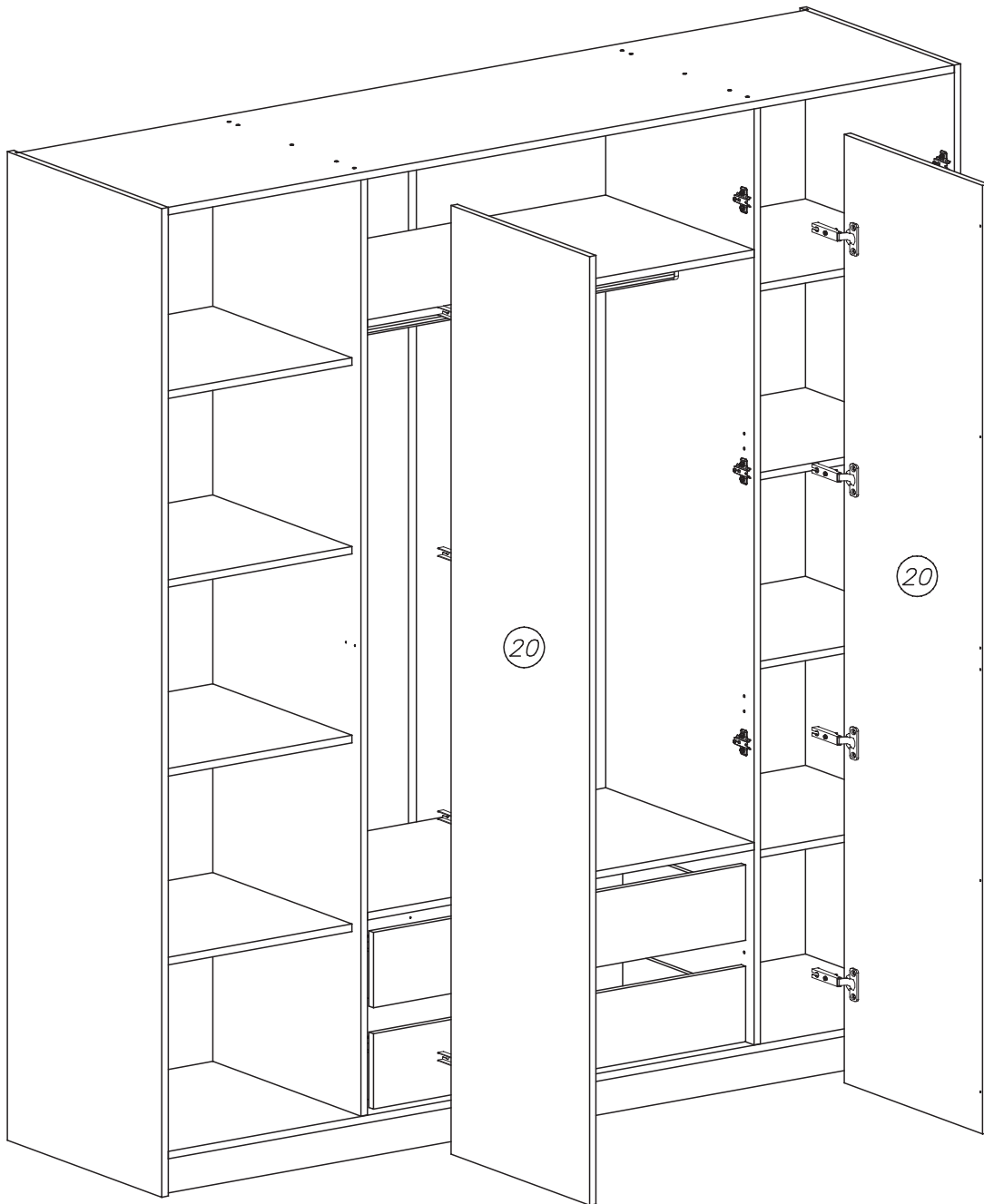
IX

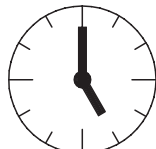
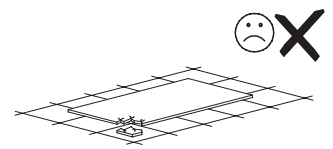
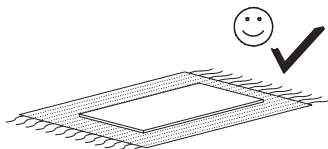
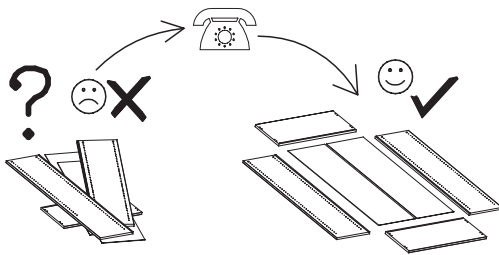
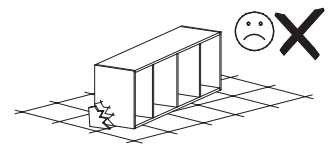
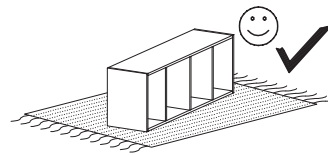
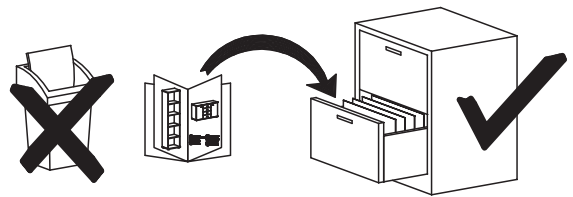
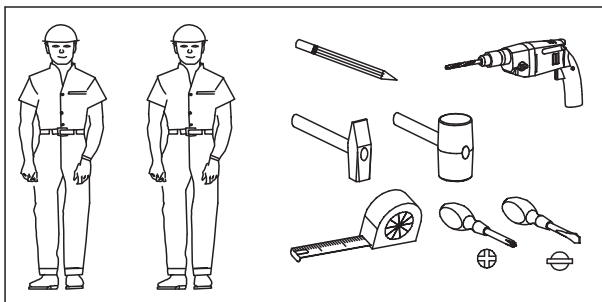
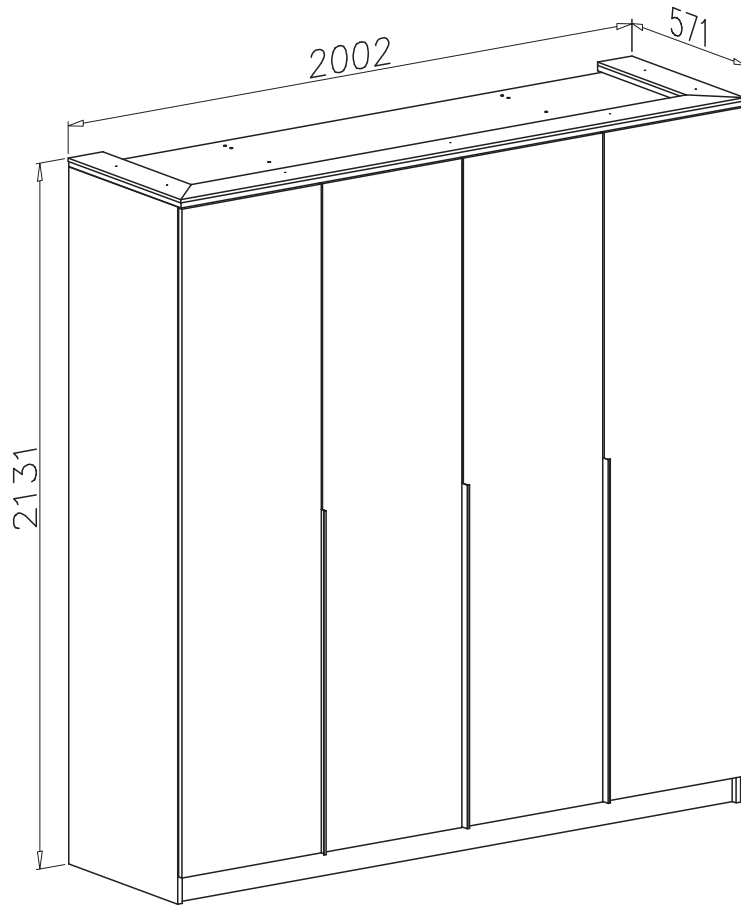


X

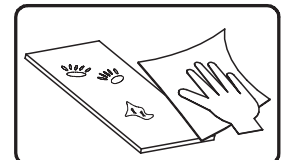
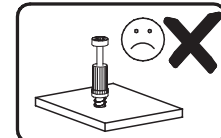
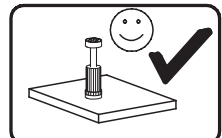


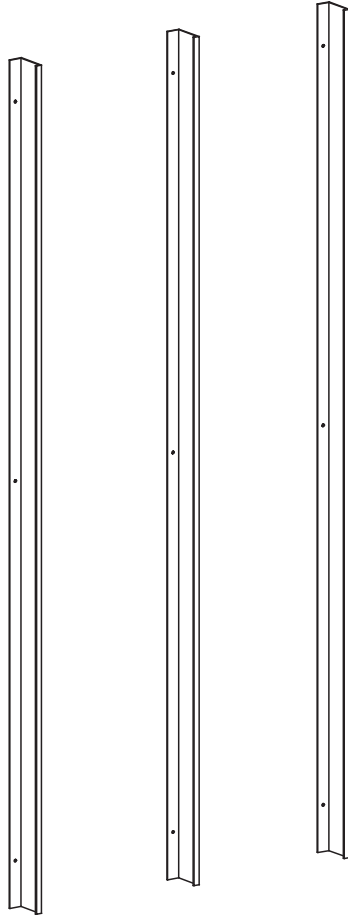
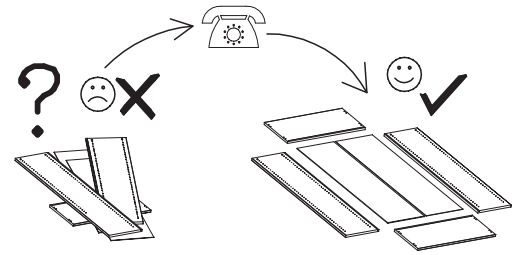
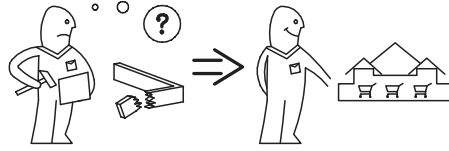
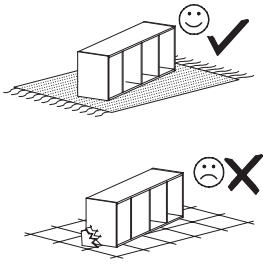
X





0,5h

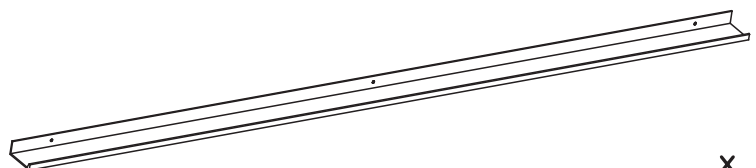




G6
3x13 x...(9)

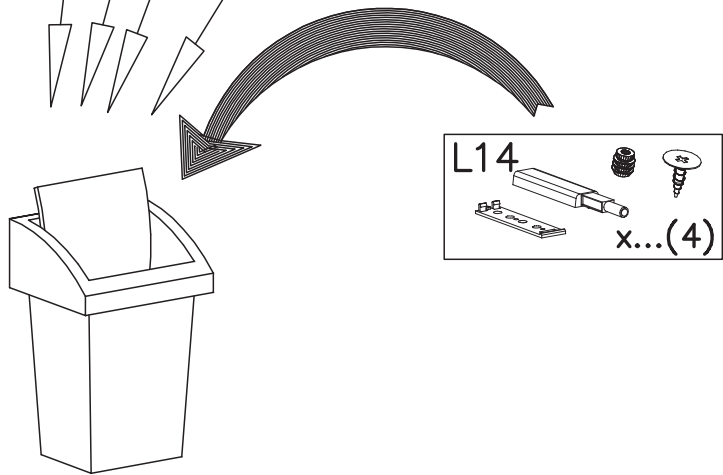
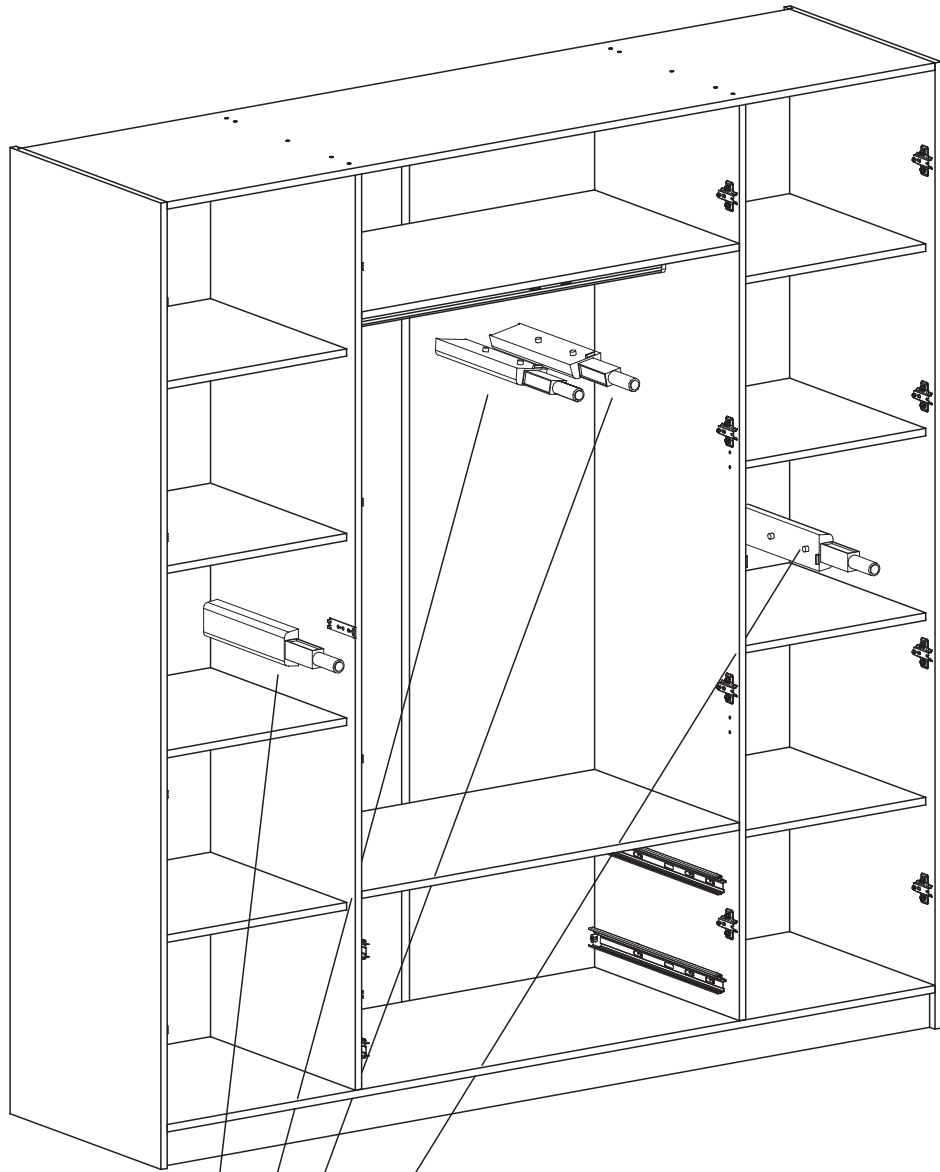


E39



x...(3)

I



II

