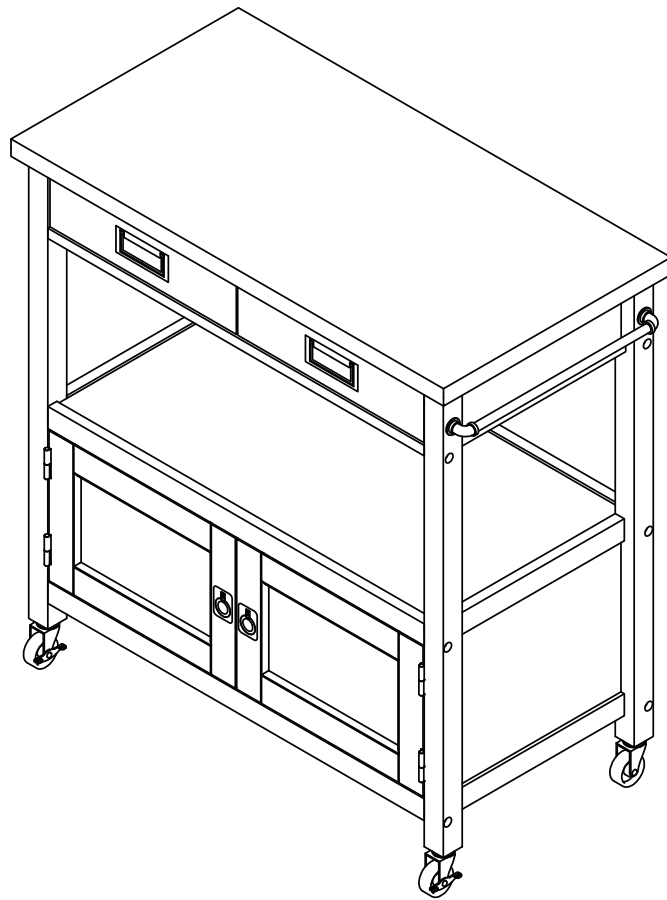
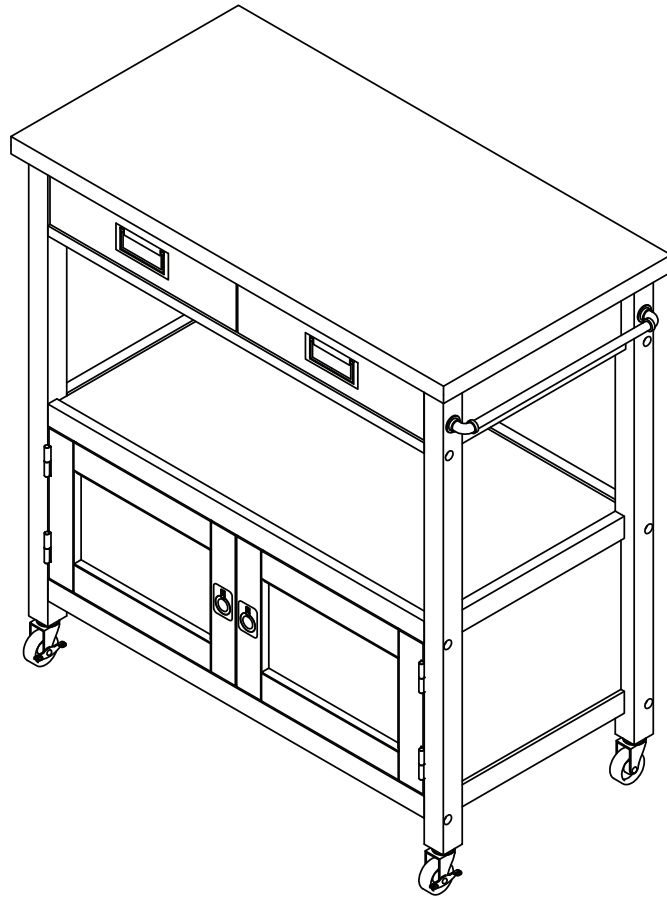


# KITCHEN CART



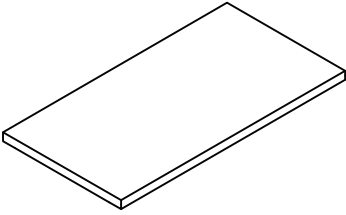


1. Do not use this product unless all screws and bolts are securely tightened.
2. Check that all screws and bolts are tight every three months or as needed.
3. Dispose of packing material properly. Do not use plastic cover as head covering. It may cause suffocation.
4. Do not use this product as a stepladder.
5. Use this product for its intended purpose only.
6. **FOR INDOOR RESIDENTIAL USE ONLY.**

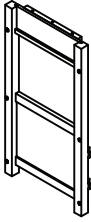
#### **LIMITED WARRANTY**

To the original purchaser that this product will be free from defects in material and workmanship as described below will repair or replace, at its option, without charge to the original purchaser only, defective products or parts for one (1) year from the date of purchase. Replacement parts can only be supplied if parts are available. Items out of production may be unavailable. This warranty shall be effective for the applicable time period beginning from the date of purchase as shown on your original sales receipt. This warranty is your sole remedy for product defects and excludes defects due to or arising in connection with product abuse or misuse, use modification of, or attachments to the product, and products or parts not used, maintained, or installed in accordance with the company's installation, maintenance and/or applicable guidelines. There are no other warranties, express or implied, other than those specifically described, including without limitation any implied warranty of merchantability or of fitness for a particular purpose. OSP Home Furnishings® will not be responsible for incidental or consequential damages. Some states do not allow the exclusion or limitation of incidental or consequential damages, so the above limitations or exclusions may not apply to you. This warranty gives you specific legal rights and you may also have other rights which may vary from state to state. Our quality standards are among the highest in the industry. Sometimes, no matter how hard we try, there are times when parts are damaged or missing. Our Parts Department will do everything possible to promptly remedy the problem. Monday through Friday 8:00 a.m. - 3:30 p.m. Pacific Time. To make a warranty claim, contact Parts Department. Provide model number, proof of purchase, description of the problem and obtain return authorization. (a) Supply compatible components of current manufacture. (b) Repair the customer's component. The customer must prepay freight on any components returned to the factory.

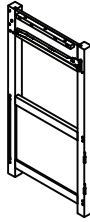
# PARTS



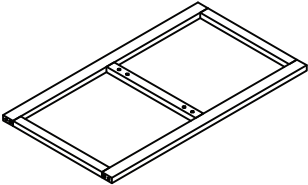
(A) Top Panel (1 PC)



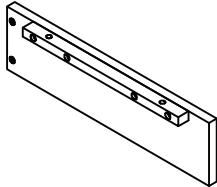
(B) Left Leg Frame (1 PC)



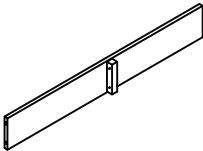
(C) Right Leg Frame (1 PC)



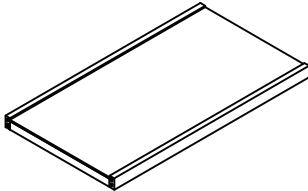
(D) Support Frame (1 PC)



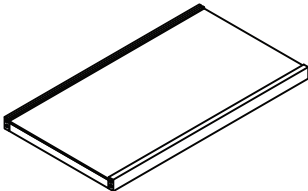
(E) Middle Frame (1 PC)



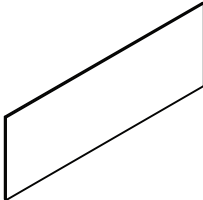
(F) Back Support (1 PC)



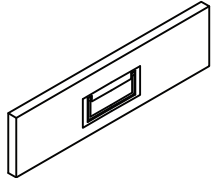
(G) Middle Panel (1 PC)



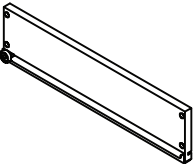
(H) Bottom Panel (1 PC)



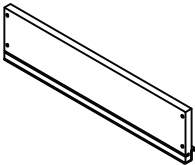
(I) Back Panel (1 PC)



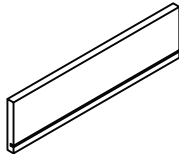
(J) Drawer Front (2 PCS)



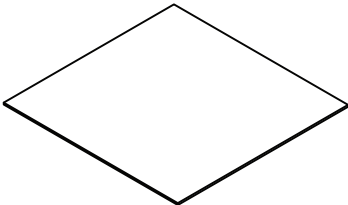
(K) Left Drawer Side (2 PCS)



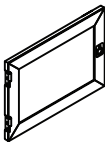
(L) Right Drawer Side (2 PCS)



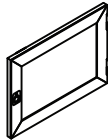
(M) Drawer Back (2 PCS)



(N) Drawer Bottom (2 PCS)


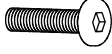


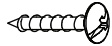









(O) Left Door (1 PC)



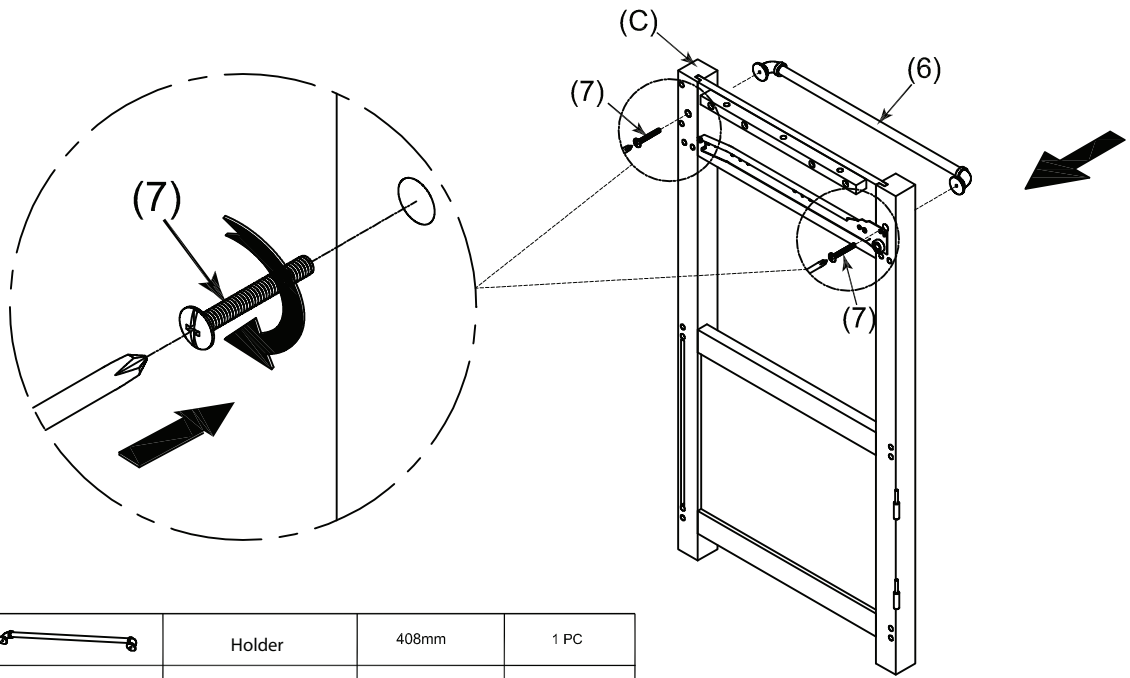
(P) Right Door (1 PC)

# HARDWARE LIST

NO	DRAWING	DESCRIPTION	SIZE	QUANTITY
1		Bolt	1/4" x 65mm	12 PCS
2		Bolt	1/4" x 25mm	8 PCS
3		Barrel Nut	Ø9.5 x 13mm	12 PCS
4		Wooden Dowel	Ø8 x 20mm	20 PCS
5		Screw	M4 x 30mm	18 PCS
6		Holder	408mm	1 PC
7		Screw	5/32" x 40mm	2 PCS
8		Front Locking Caster	N/A	2 PCS
9		Rear Caster	N/A	2 PCS
10		Wooden Cap	Ø15 x 10mm	12 PCS
11		Allen Wrench	4 x 75mm	1 PC
12		Key Wrench	12mm	1 PC

Phillips screwdriver also needed for assembly (not provided)

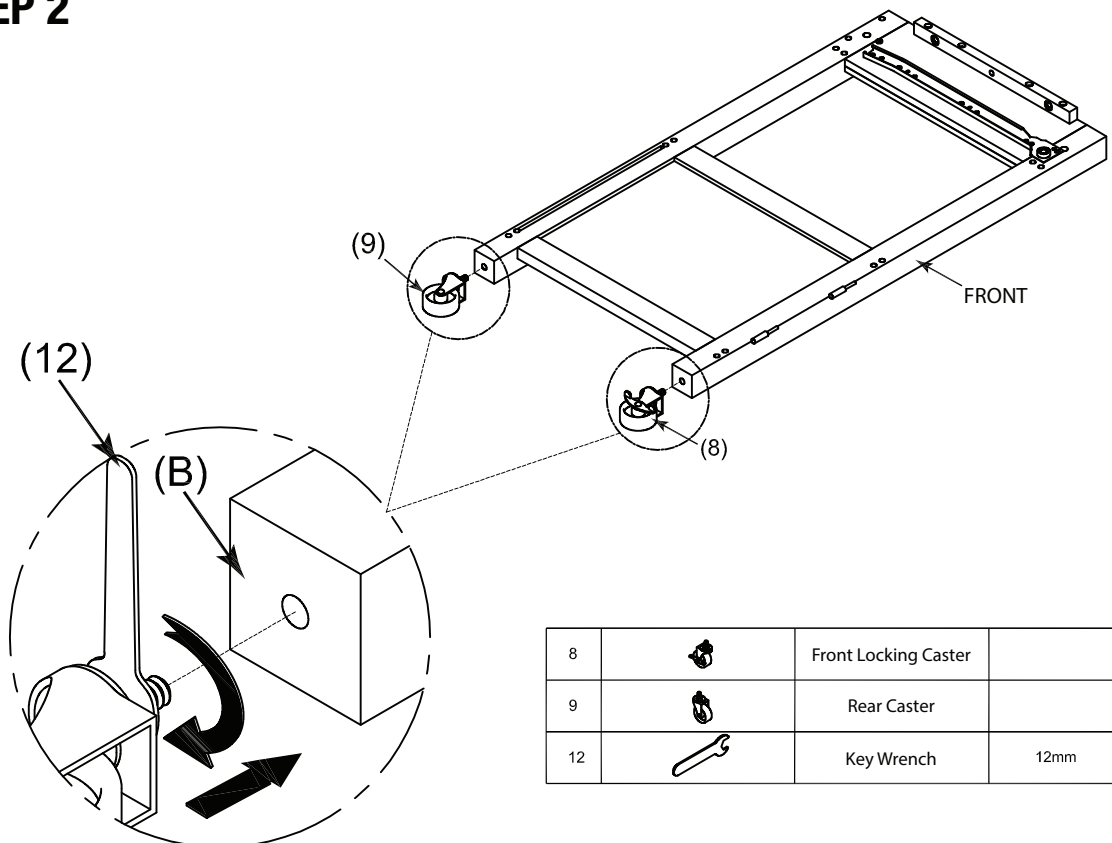
# STEP 1



6		Holder	408mm	1 PC
7		Screw	5/32" x 40mm	2 PCS

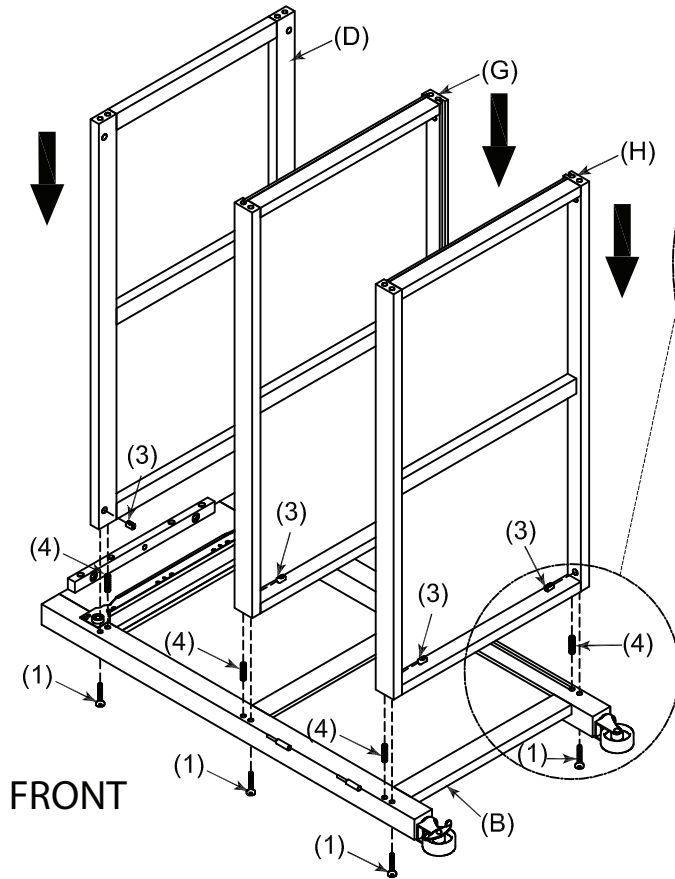
FULLY TIGHTEN ALL SCREWS

# STEP 2



8		Front Locking Caster		2 PCS
9		Rear Caster		2 PCS
12		Key Wrench	12mm	1 PC

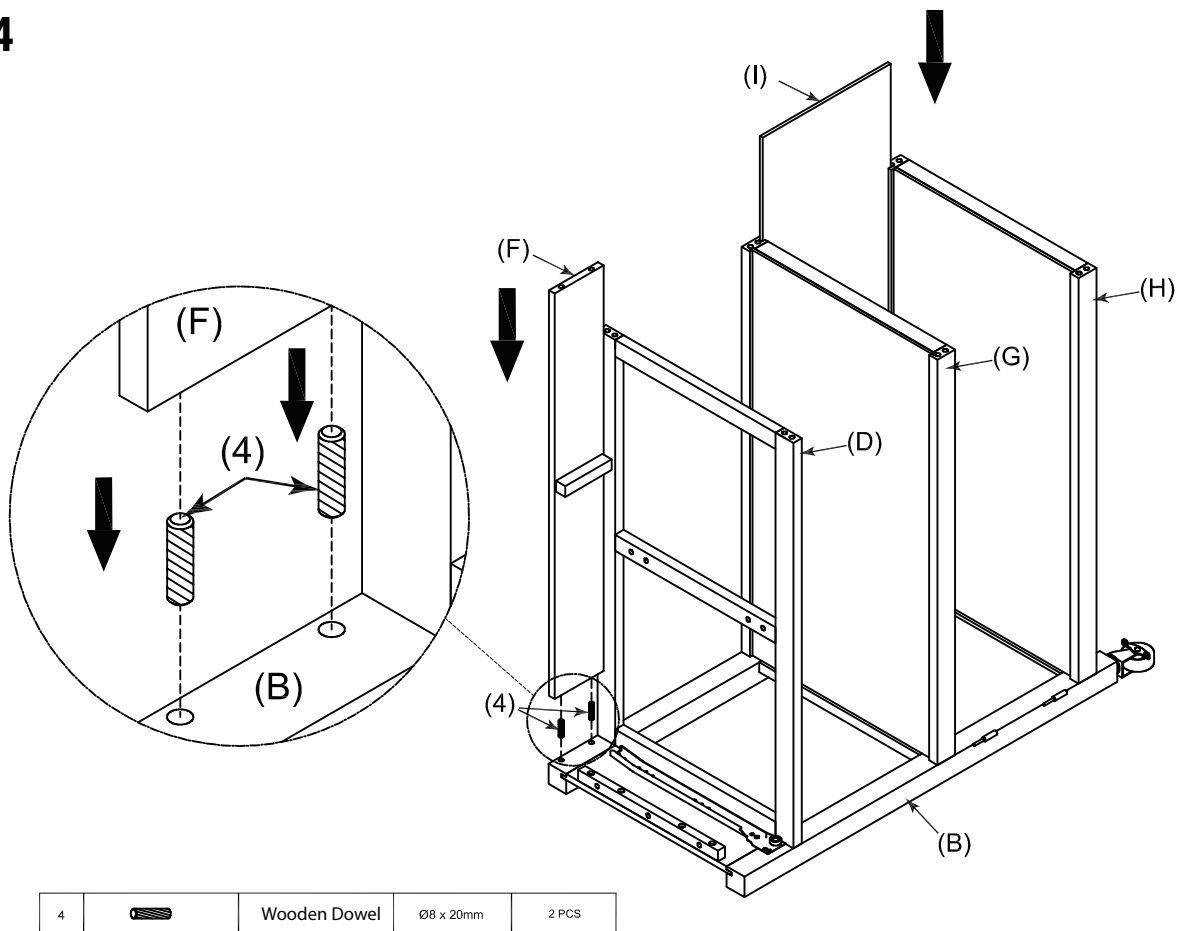
### STEP 3



1		Bolt	1/4" x 65mm	6 PCS
3		Barrel Nut	Ø9.5 x 13mm	6 PCS
4		Wooden Dowel	Ø8 x 20mm	6 PCS
11		Allen Wrench	4 x 75mm	1 PC

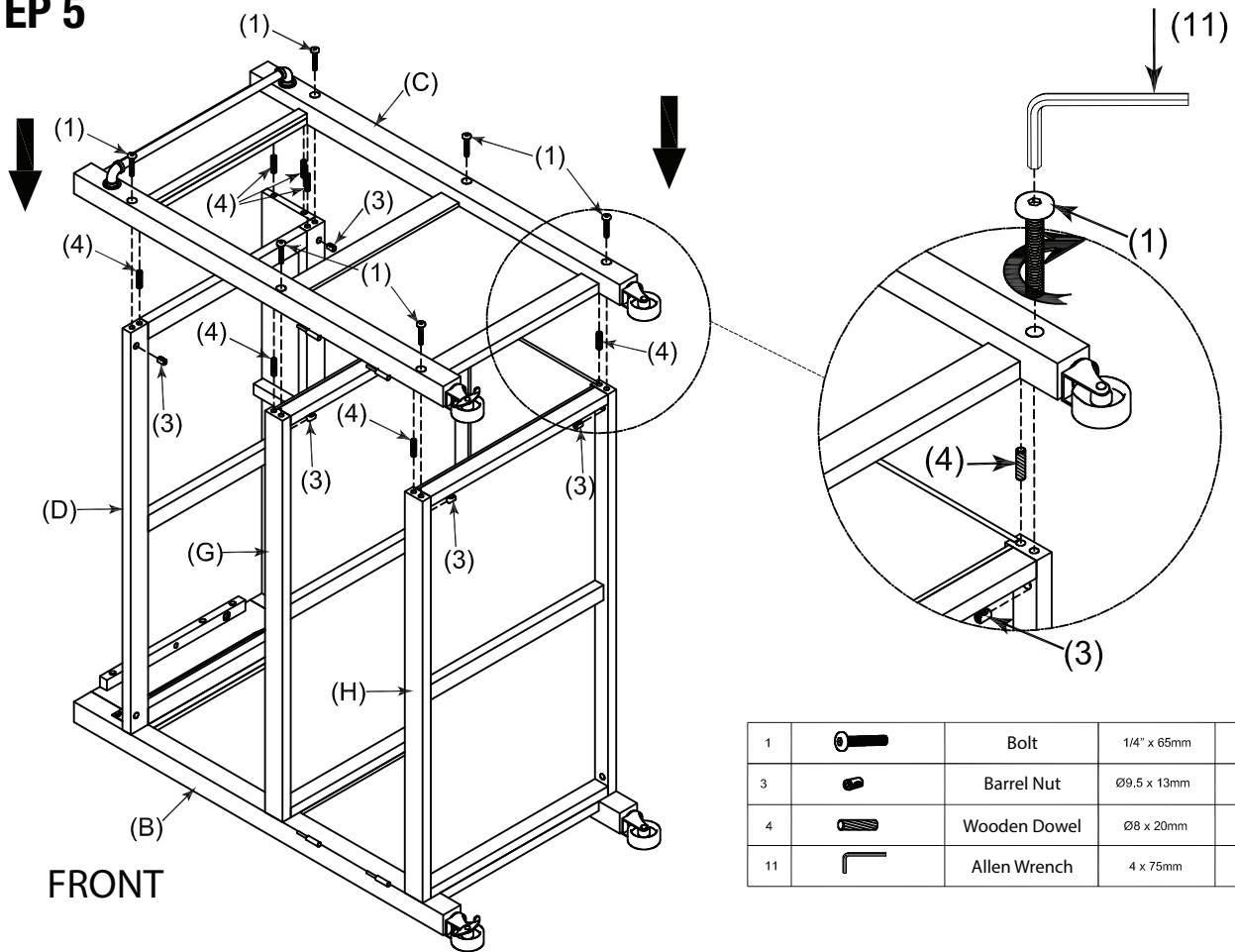
DO NOT FULLY TIGHTEN BOLTS

### STEP 4



4		Wooden Dowel	Ø8 x 20mm	2 PCS
---	---	--------------	-----------	-------

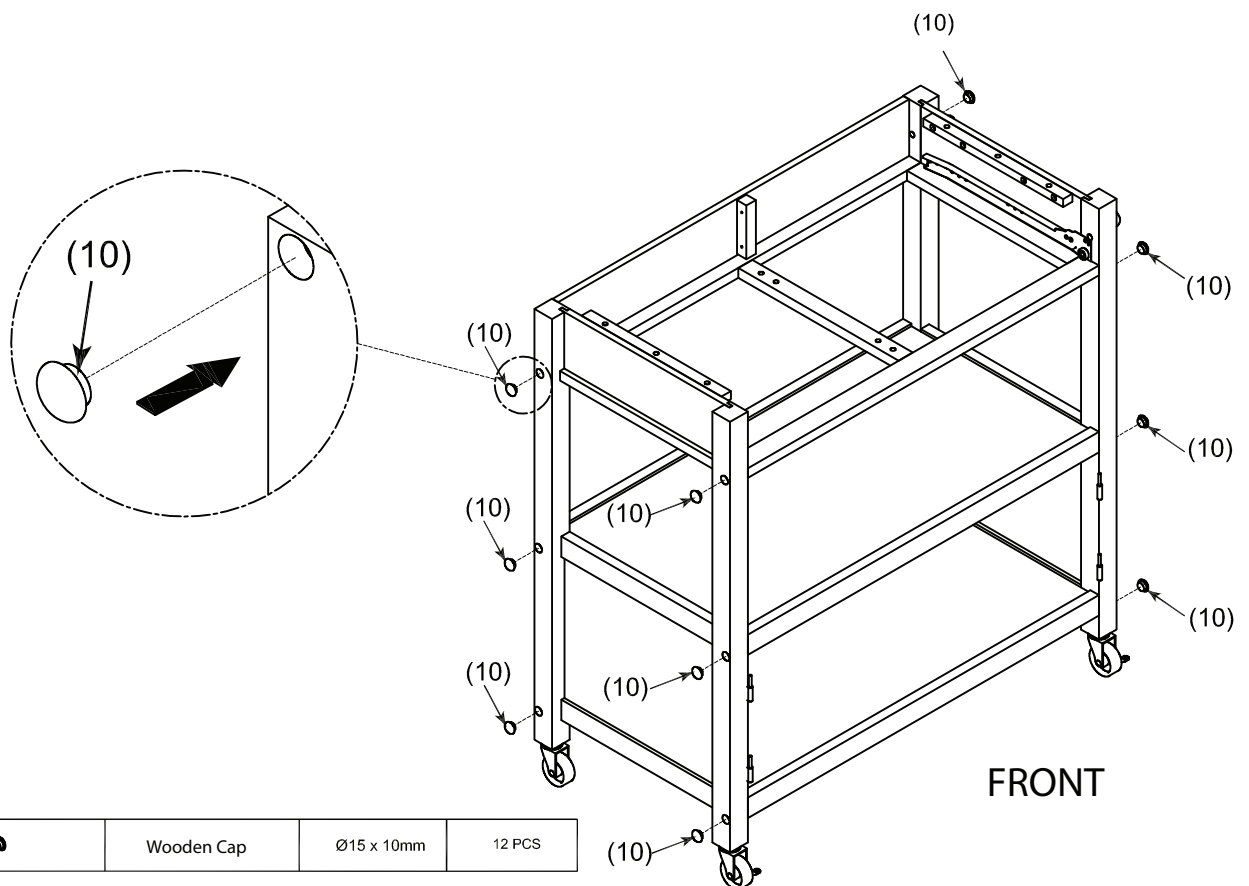
## STEP 5



1		Bolt	1/4" x 65mm	6 PCS
3		Barrel Nut	Ø9.5 x 13mm	6 PCS
4		Wooden Dowel	Ø8 x 20mm	8 PCS
11		Allen Wrench	4 x 75mm	1 PC

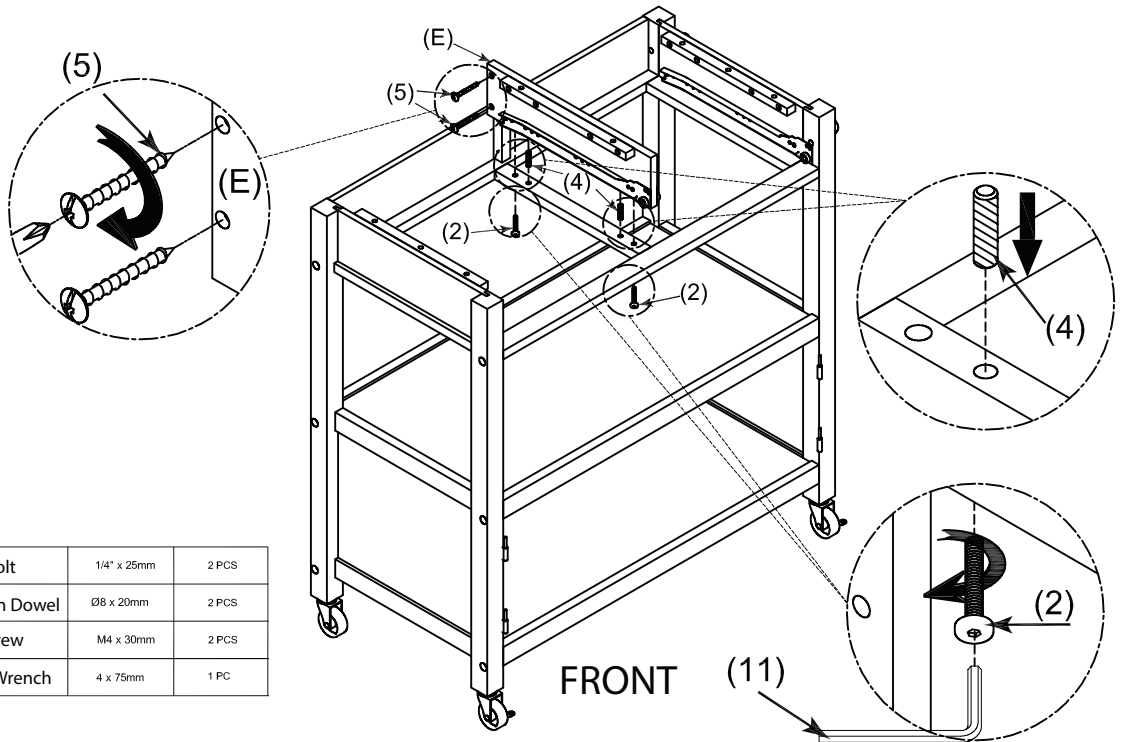
FULLY TIGHTEN ALL BOLTS



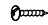

## STEP 6



10		Wooden Cap	Ø15 x 10mm	12 PCS
----	---	------------	------------	--------

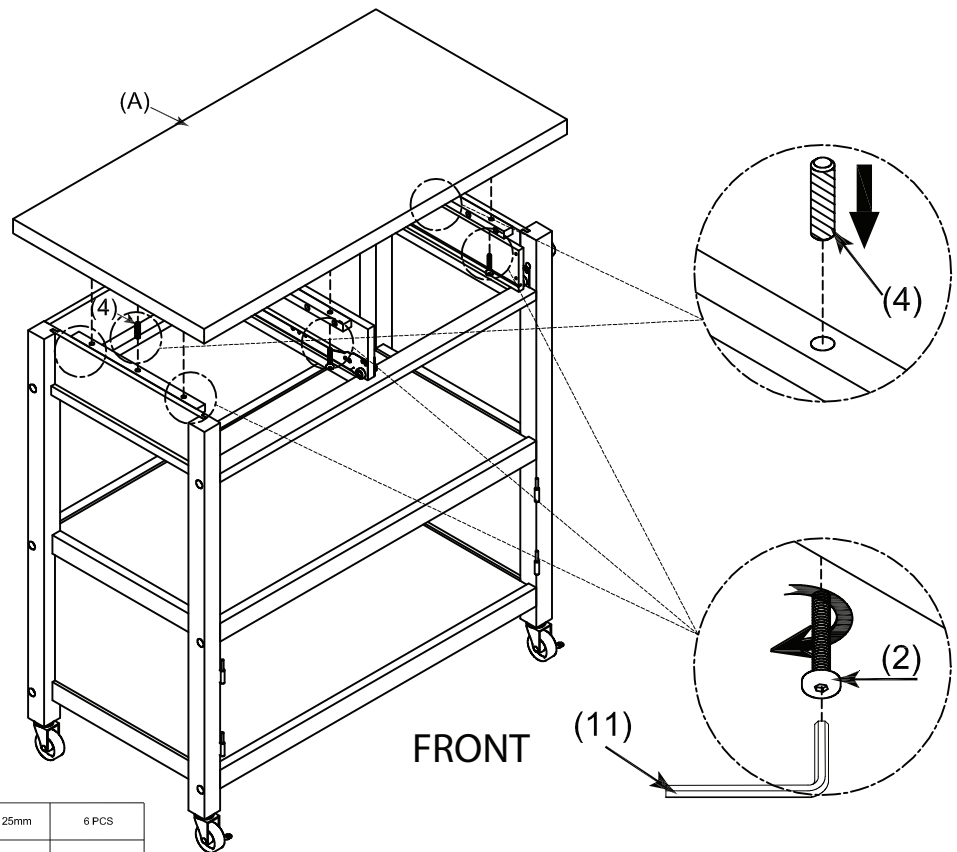
# STEP 7






2		Bolt	1/4" x 25mm	2 PCS
4		Wooden Dowel	Ø8 x 20mm	2 PCS
5		Screw	M4 x 30mm	2 PCS
11		Allen Wrench	4 x 75mm	1 PC

FULLY TIGHTEN ALL SCREWS

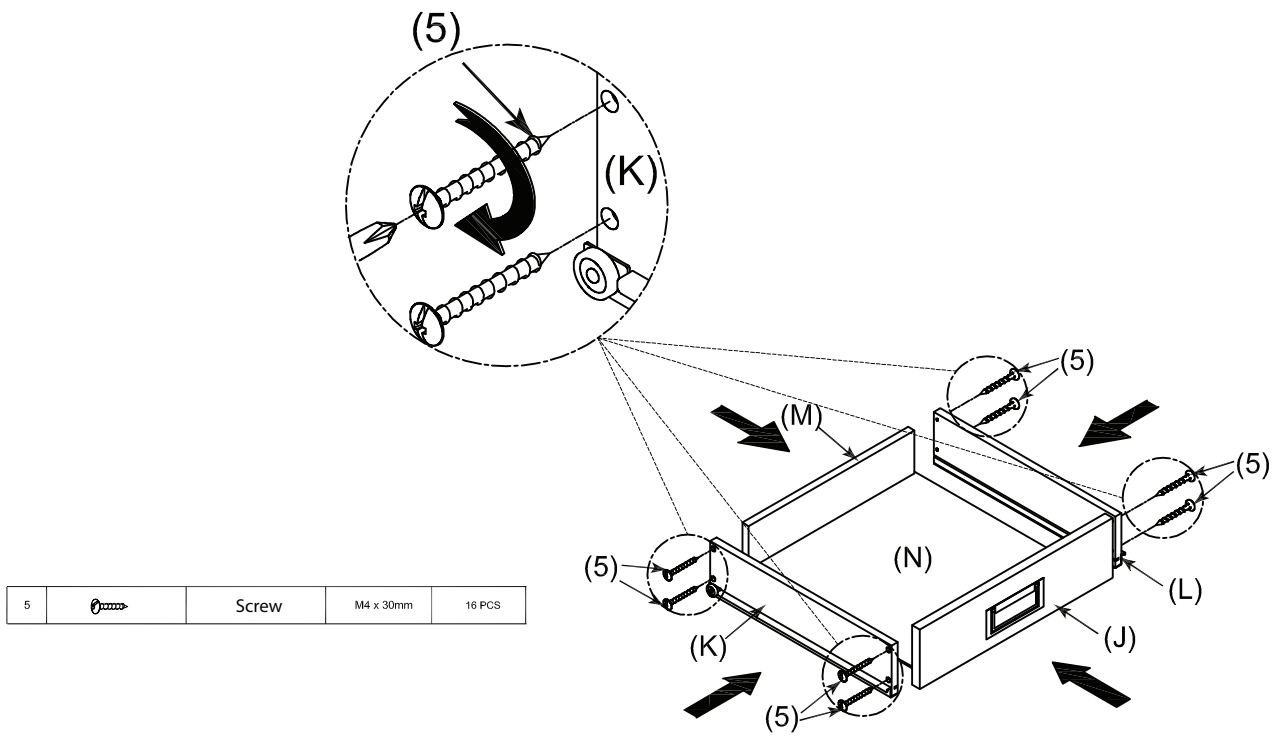
# STEP 8



2		Bolt	1/4" x 25mm	6 PCS
4		Wooden Dowel	Ø8 x 20mm	2 PCS
11		Allen Wrench	4 x 75mm	1 PC

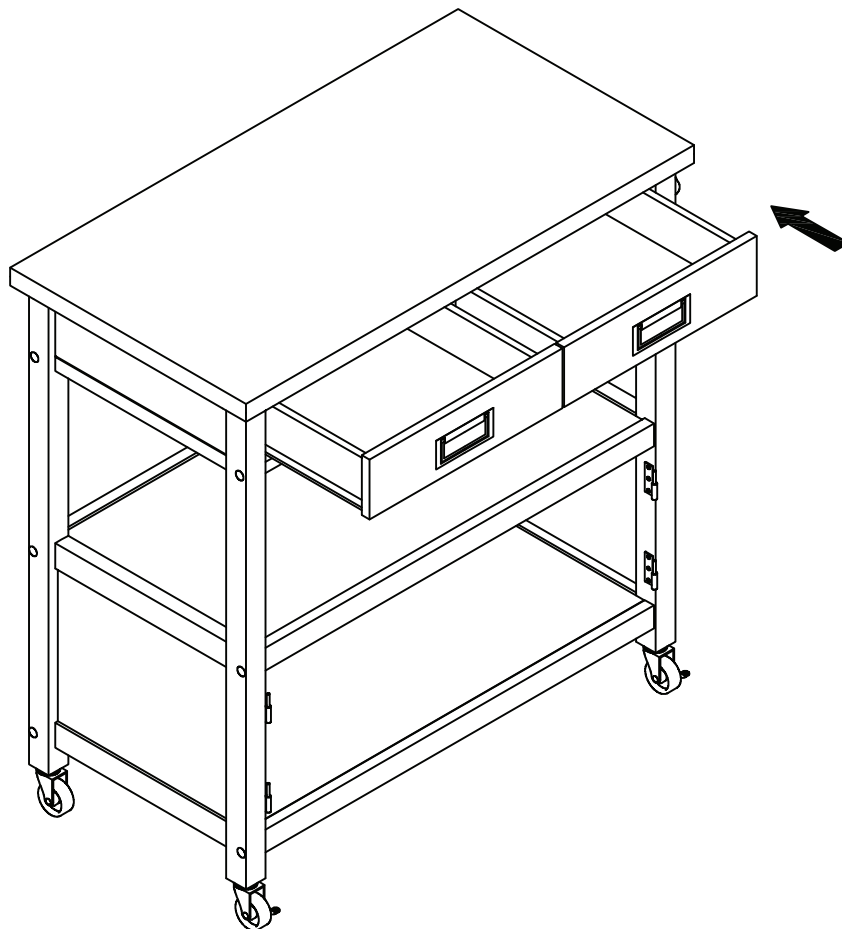
FULLY TIGHTEN ALL BOLTS

## STEP 9



FULLY TIGHTEN ALL SCREWS

## STEP 10



# STEP 11

