

# ASSEMBLY INSTRUCTIONS

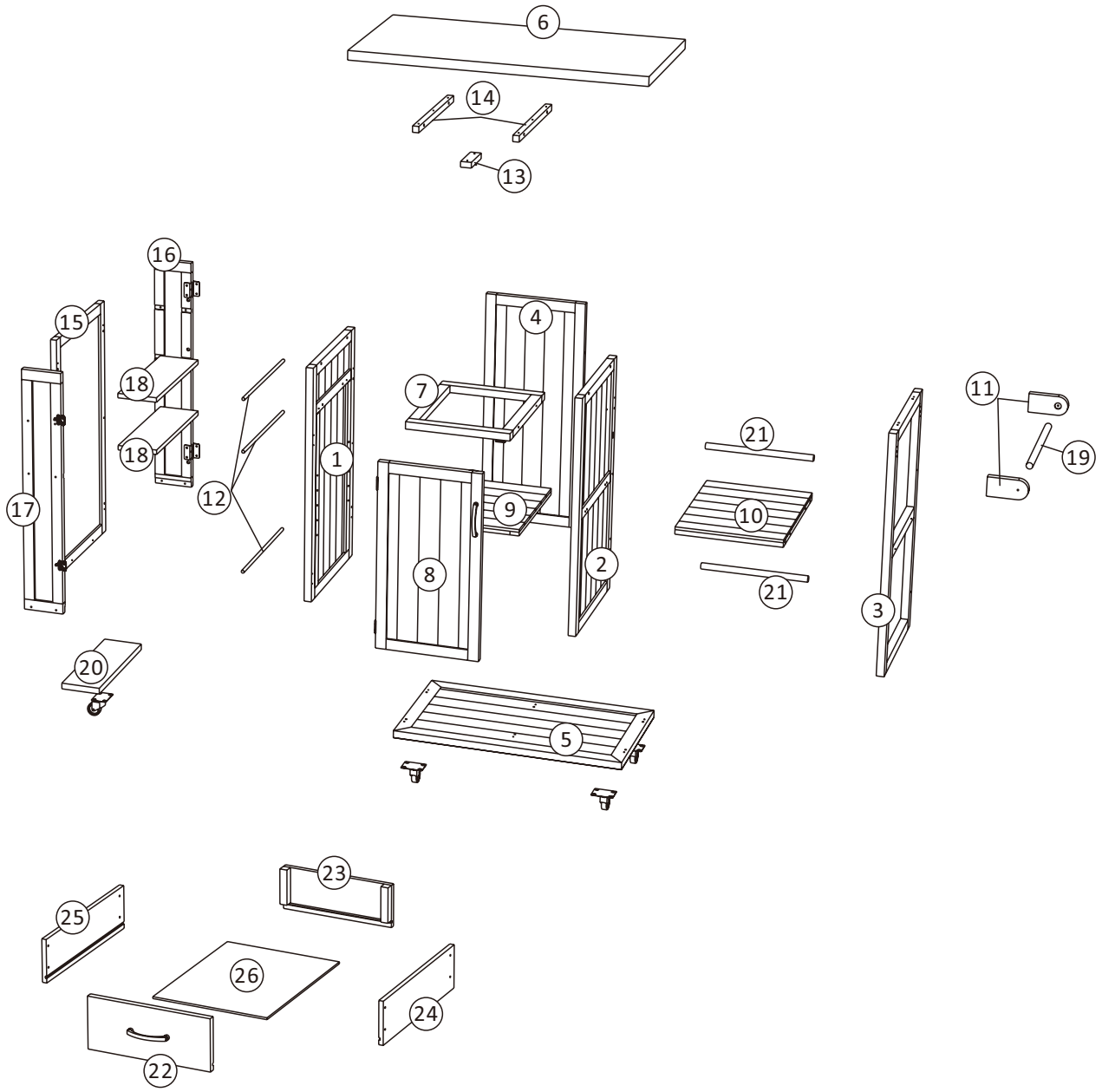
ITEM NO.:N719P380278



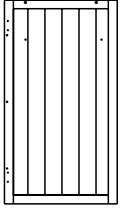
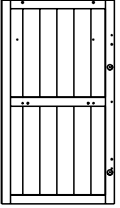
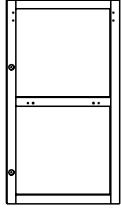
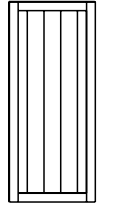
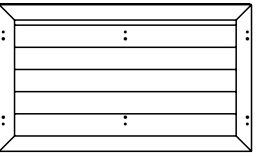
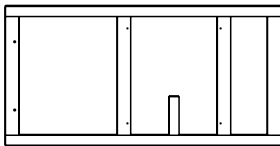
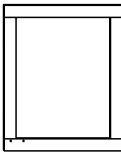
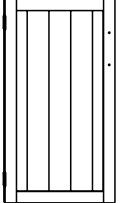
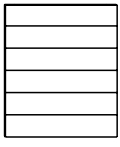
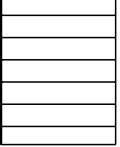
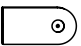

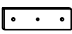

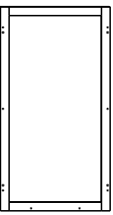

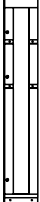
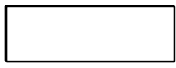
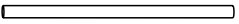
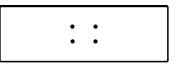
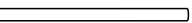
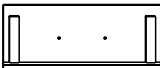

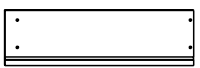


## IMPORTANT NOTE:

- ① PLACE ALL PARTS ON A CLEAN AND SMOOTH SURFACE SUCH AS A RUG OR CARPET TO AVOID THE PARTS FROM BEING SCRATCHED.
- ② BEFORE YOU BEGIN, KINDLY FOLLOW THE ASSEMBLY INSTRUCTIONS STEP BY STEP.
- ③ DO NOT TIGHTEN ALL SCREWS AND BOLTS UNTIL THIS ITEM IS FULLY SET-UP.

















# Detail View



# N719P380278

1		2		3		4	
	1x		1x		1x		1x
5		6		7		8	
	1x		1x		1x		1x
9		10		11		12	
	1x		1x		2x		3x
13		14		15		16	
	1x		2x		1x		1x
17		18		19		20	
	1x		2x		1x		1x
21		22		23		24	
	2x		1x		1x		1x
25		26					
	1x		1x				

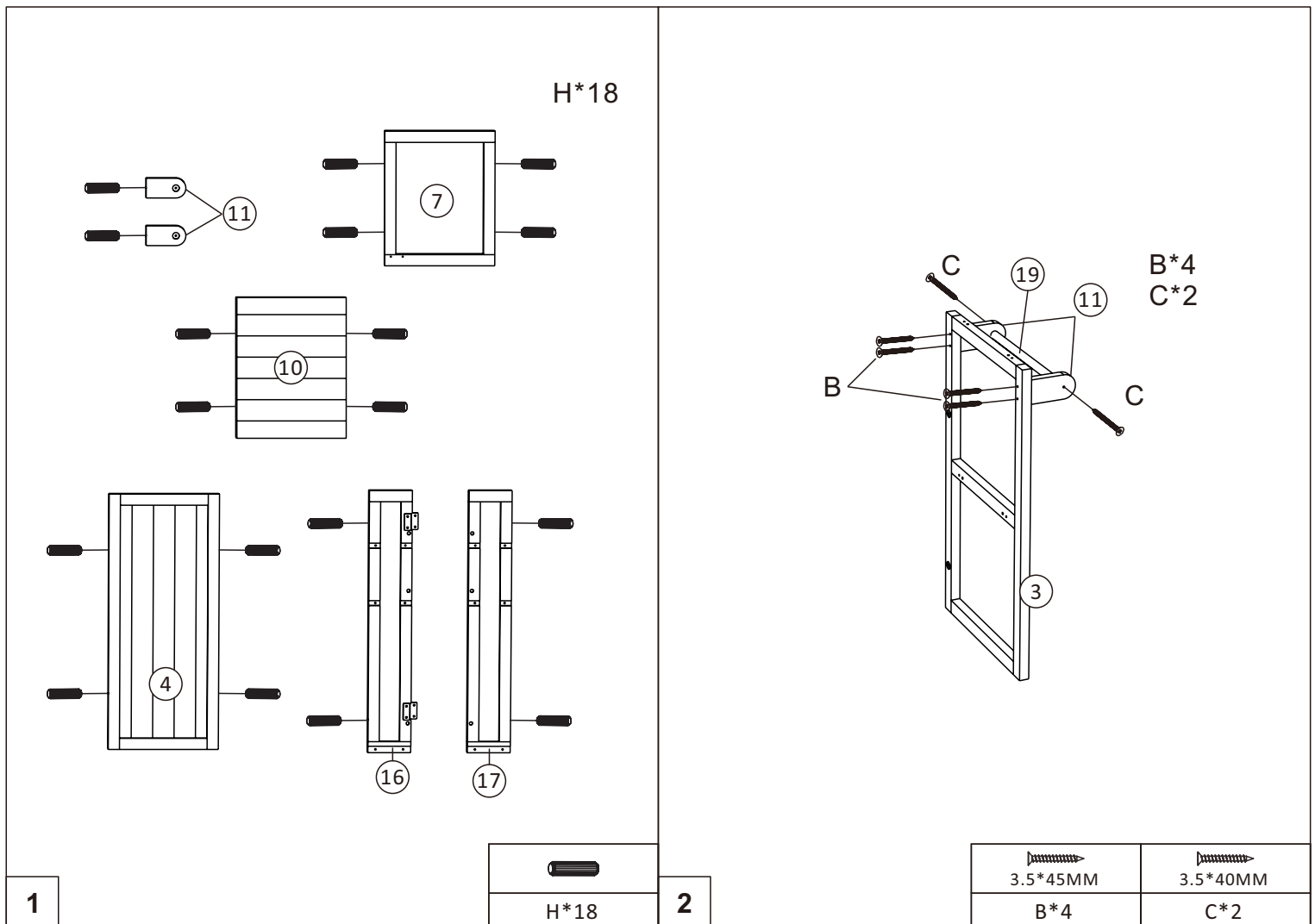
Hardware List

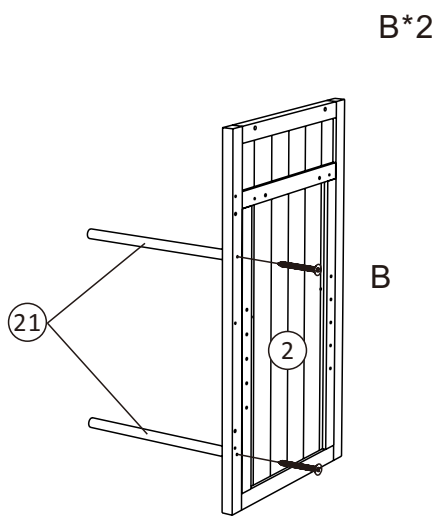
A	 Ø 3.5*60 2x	B	 Ø 3.5*45 23x	C	 Ø 3.5*40 36x	D	 Ø 3.0*28 8x
E	 Ø 3.0*16 19x	F	 Ø 6.0*50 4x	G	 Ø 6.0*20 20x	H	 26x
I	 4x	J	 1x	K	 1x	L	 2x
M	 2x	N	 4x	O	 1x	P	 1x


ASSEMBLY TOOLS REQUIRED( NOT INCLUDED)



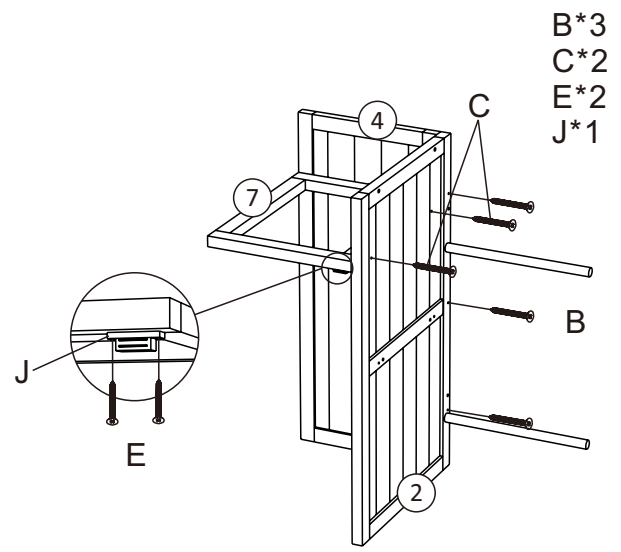
PLEASE BE CAREFUL DO NOT DAMAGE THE HOLE POSITION WHEN YOU USE POWERTOOLS !

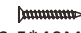


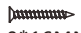


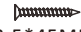

	3.5*45MM
	B*2

3

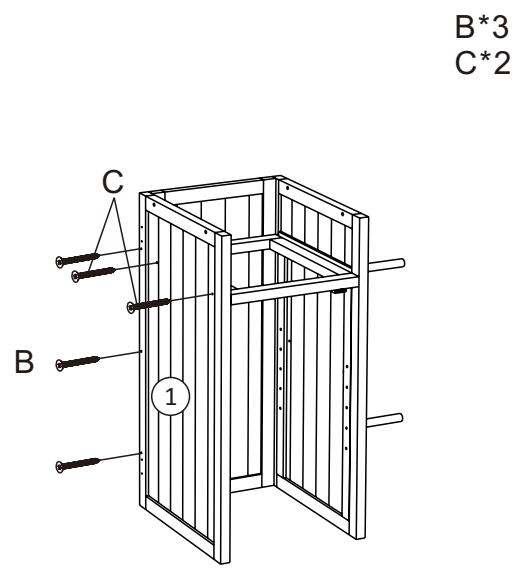



	3.5*40MM
	C*2


	3.0*16MM
	E*2

	3.5*45MM
	B*3
	
	J*1

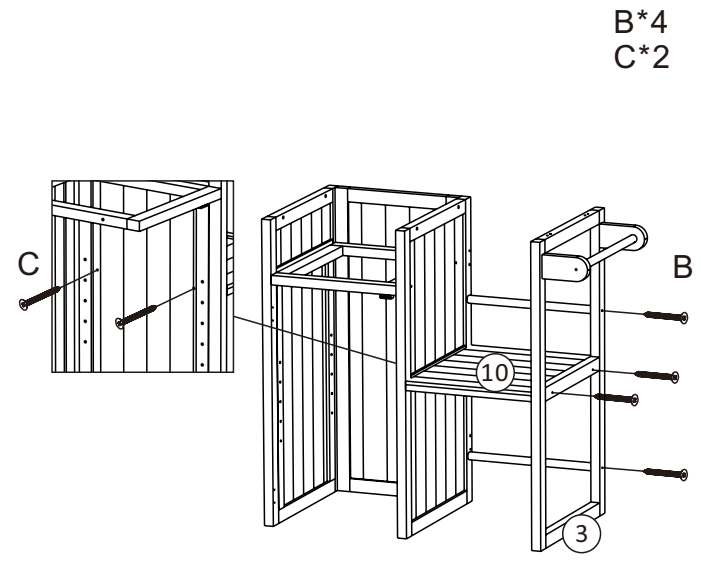
4





	3.5*45MM
	B*3

	3.5*40MM
	C*2

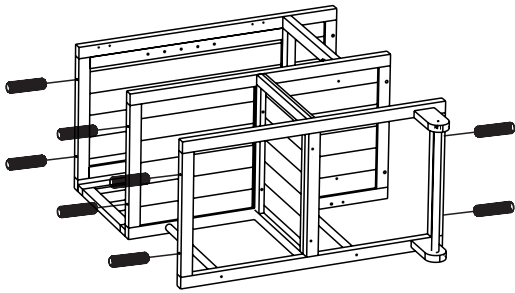
5



	3.5*45MM
	B*4

	3.5*40MM
	C*2

6

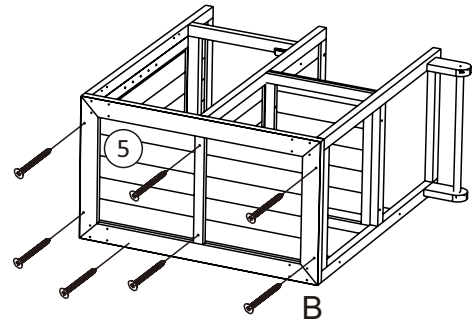


H\*8

7



H\*8

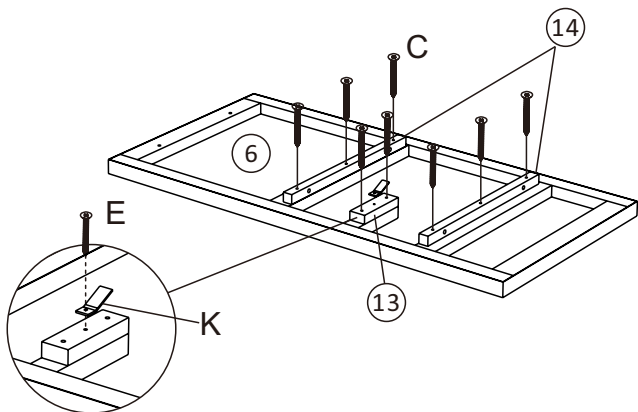


B\*7

8

3.5\*45MM

B\*7



C\*8  
E\*1  
K\*1

9

3.5\*40MM

C\*8

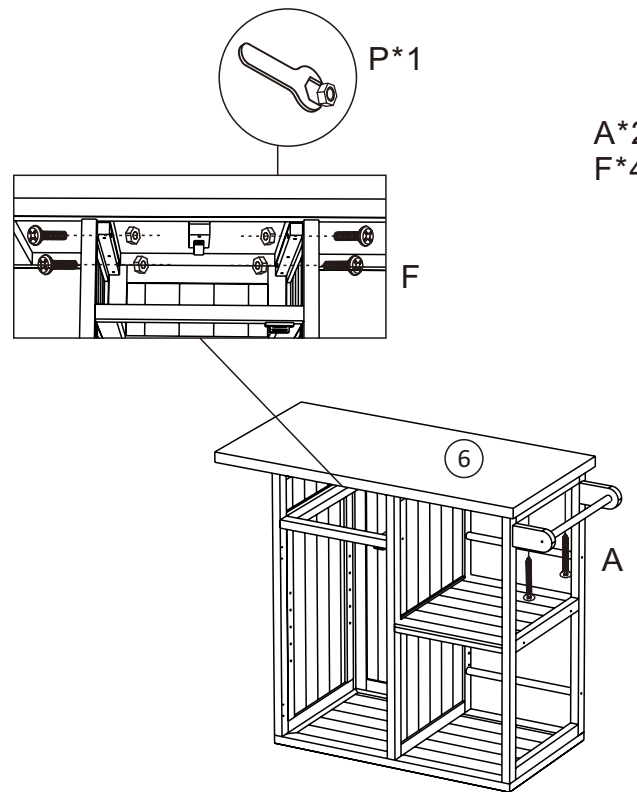
3.0\*16MM

E\*1



K\*1

10



A\*2  
F\*4

3.5\*60MM

A\*2

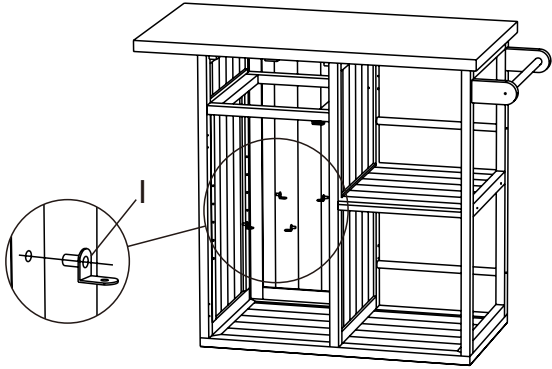
6.0\*50MM

F\*4

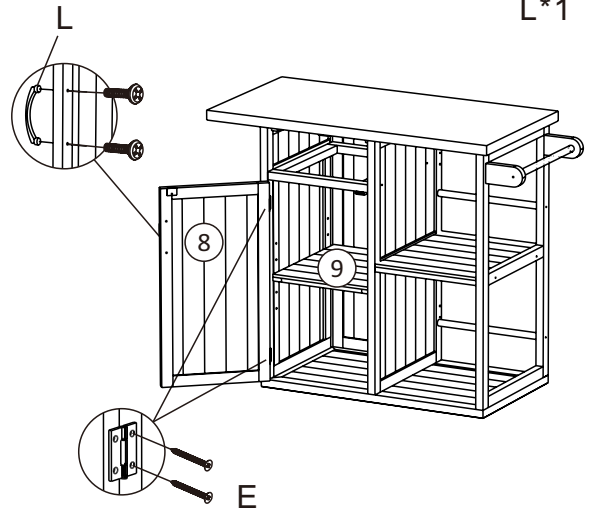


P\*1


I\*4



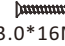

E\*4  
L\*1



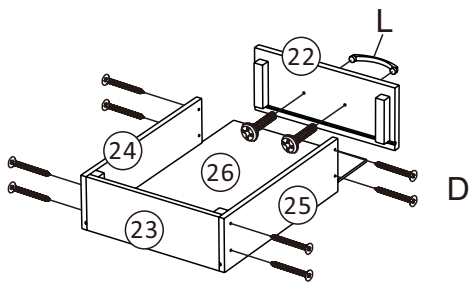
11


I*4

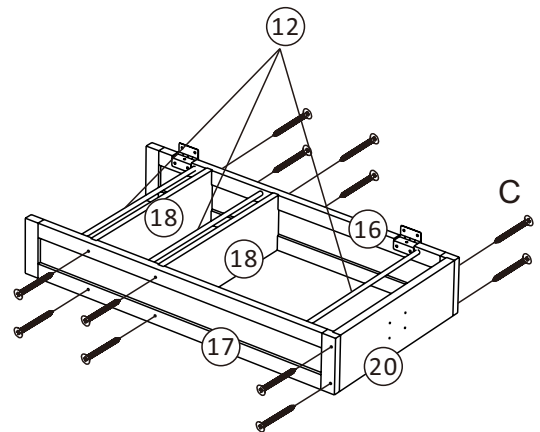
12

	
3.0*16MM	E*4
E*4	L*1

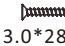

D\*8  
L\*1



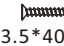
C\*12



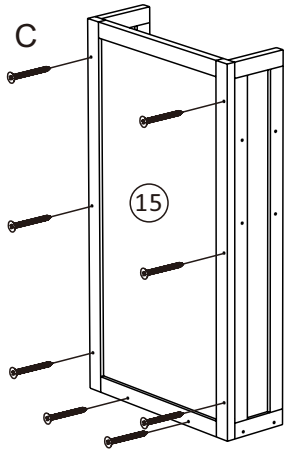
13

	
3.0*28MM	D*8
D*8	L*1

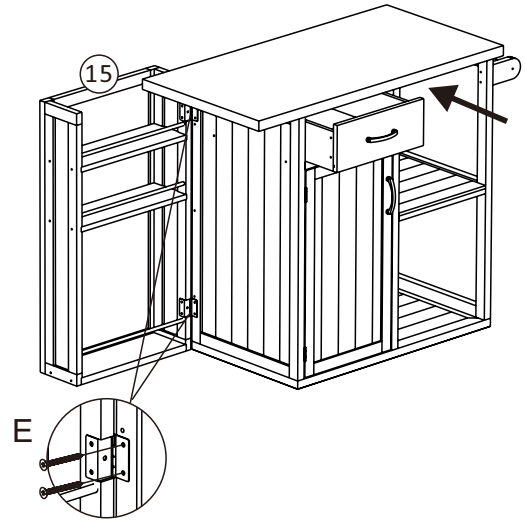
14


3.5*40MM
C*12


C\*8




E\*4



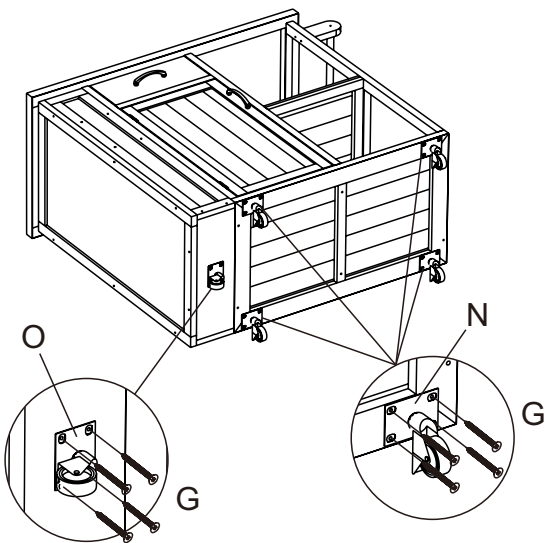
15


3.5*40MM
C*8

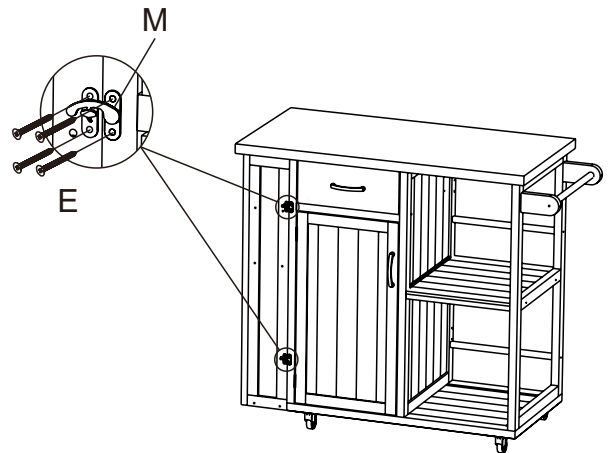
16


3.0*16MM
E*4


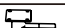

G\*20  
N\*4  
O\*1




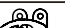
E\*8  
M\*2



17

		
6.0*20MM		
G*20	N*4	O*1

18

	
3.0*16MM	
E*8	M*2