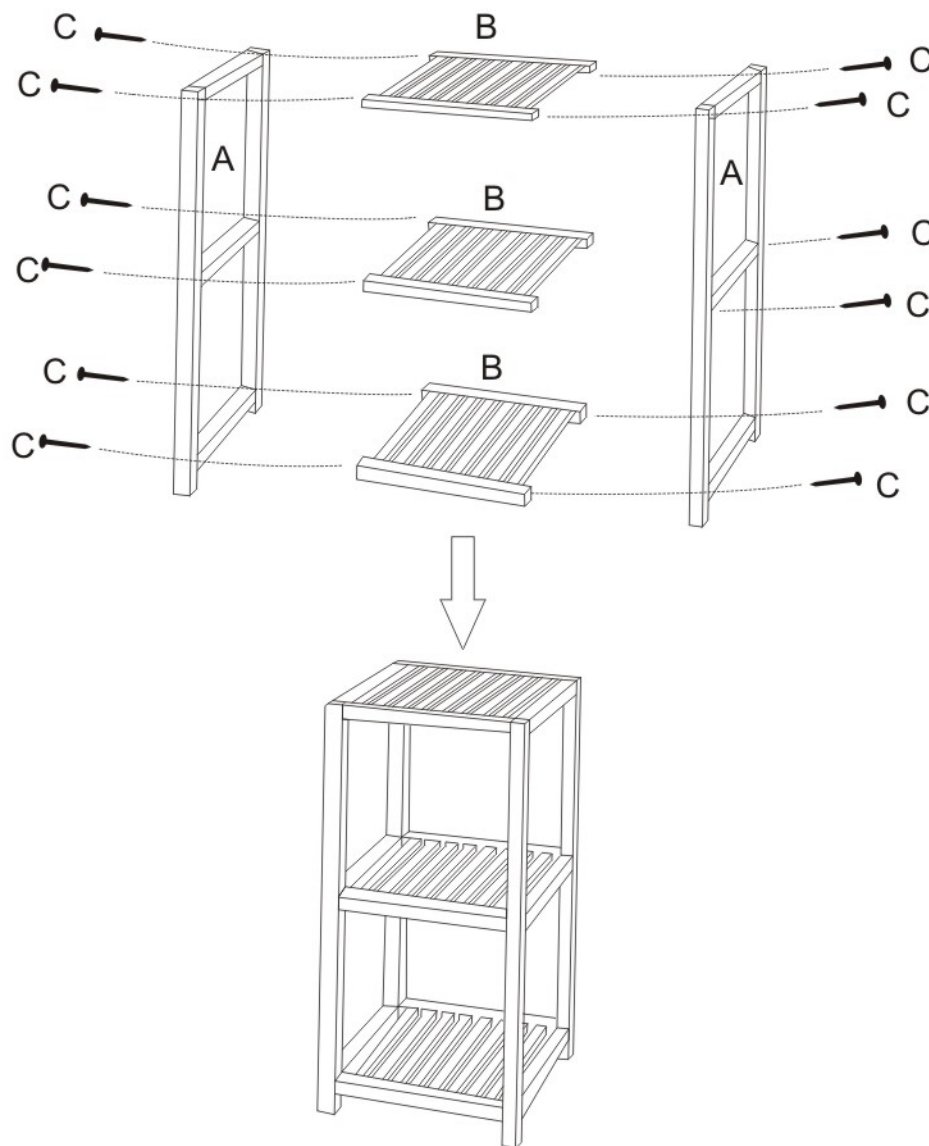


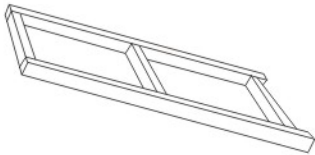
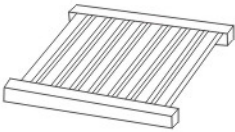


# Assembly Instructions

## 3 Tier Bamboo Shelf

Please note:

Place all bamboo parts on a clean, dry, and smooth surface like the carpet to avoid scratching the bamboo. Please follow the assembly instructions below step by step.



			
A x 2	B x 3	C x 12	D x 1