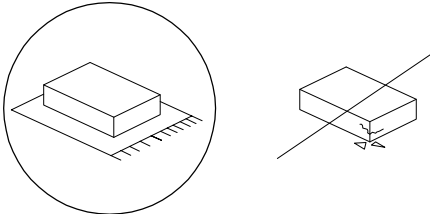

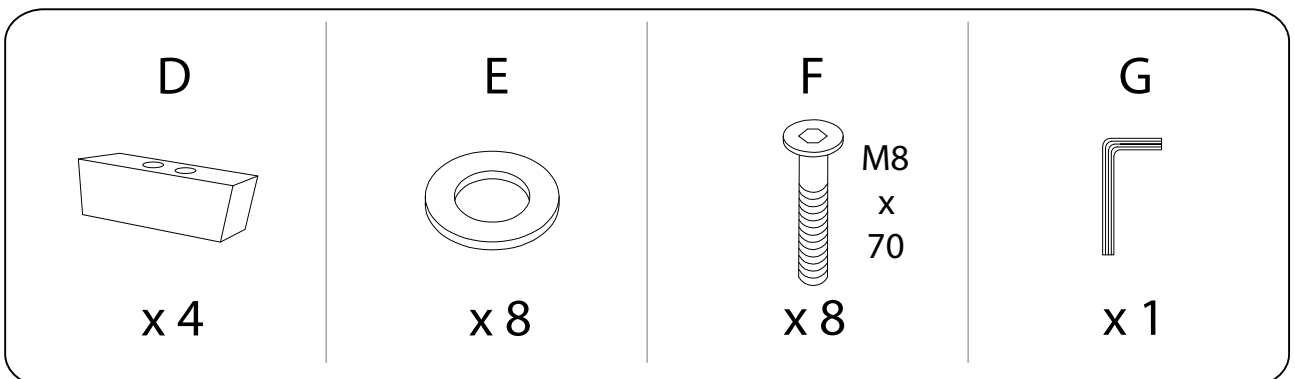
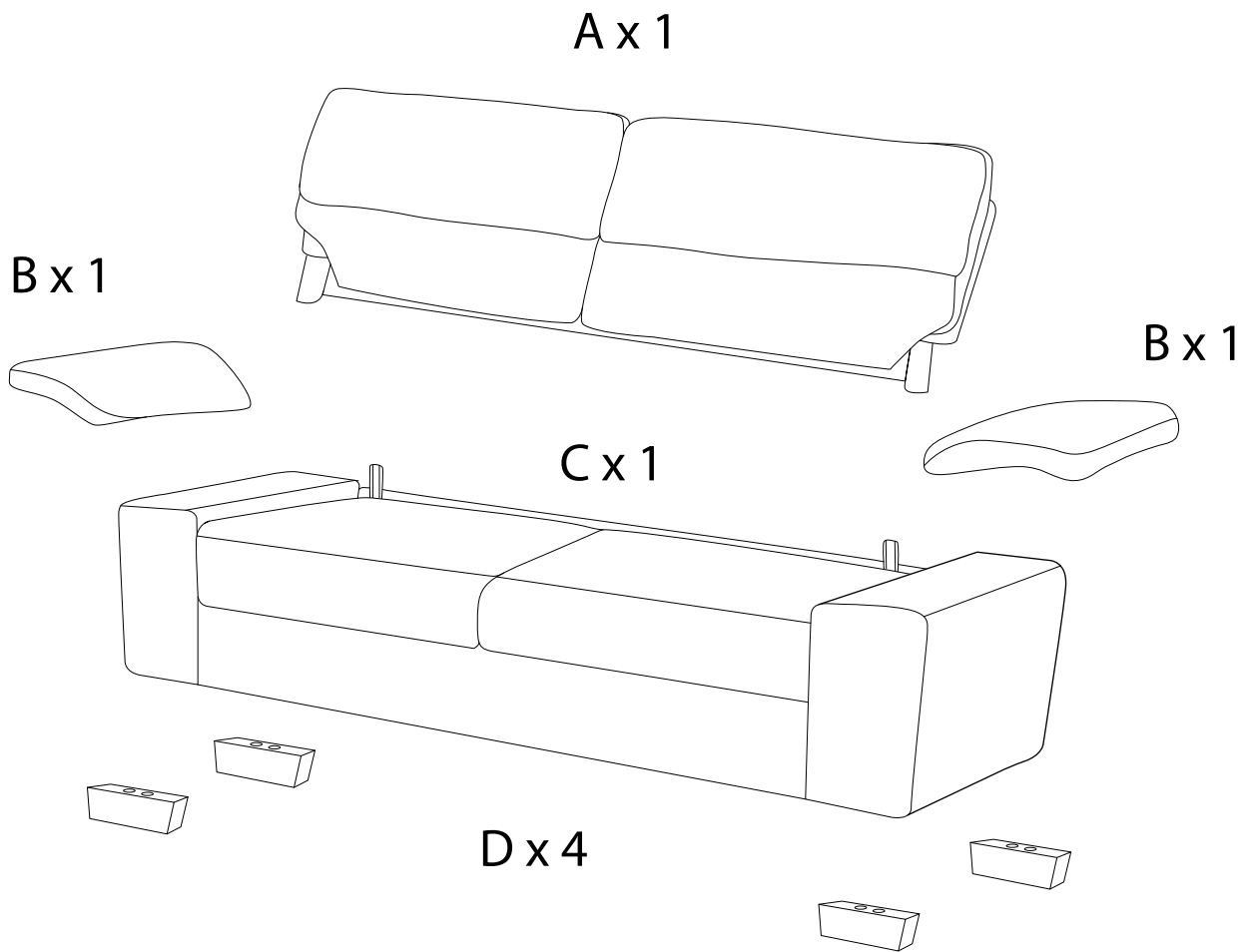
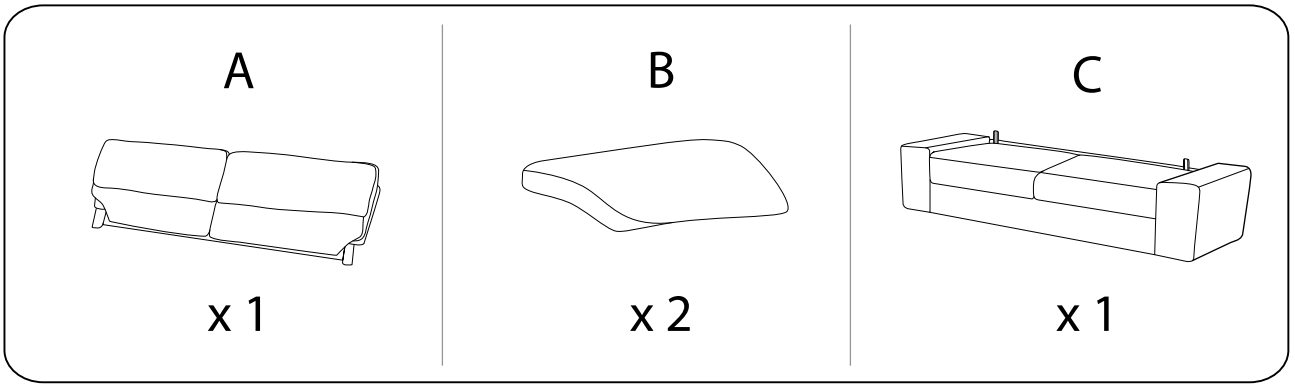
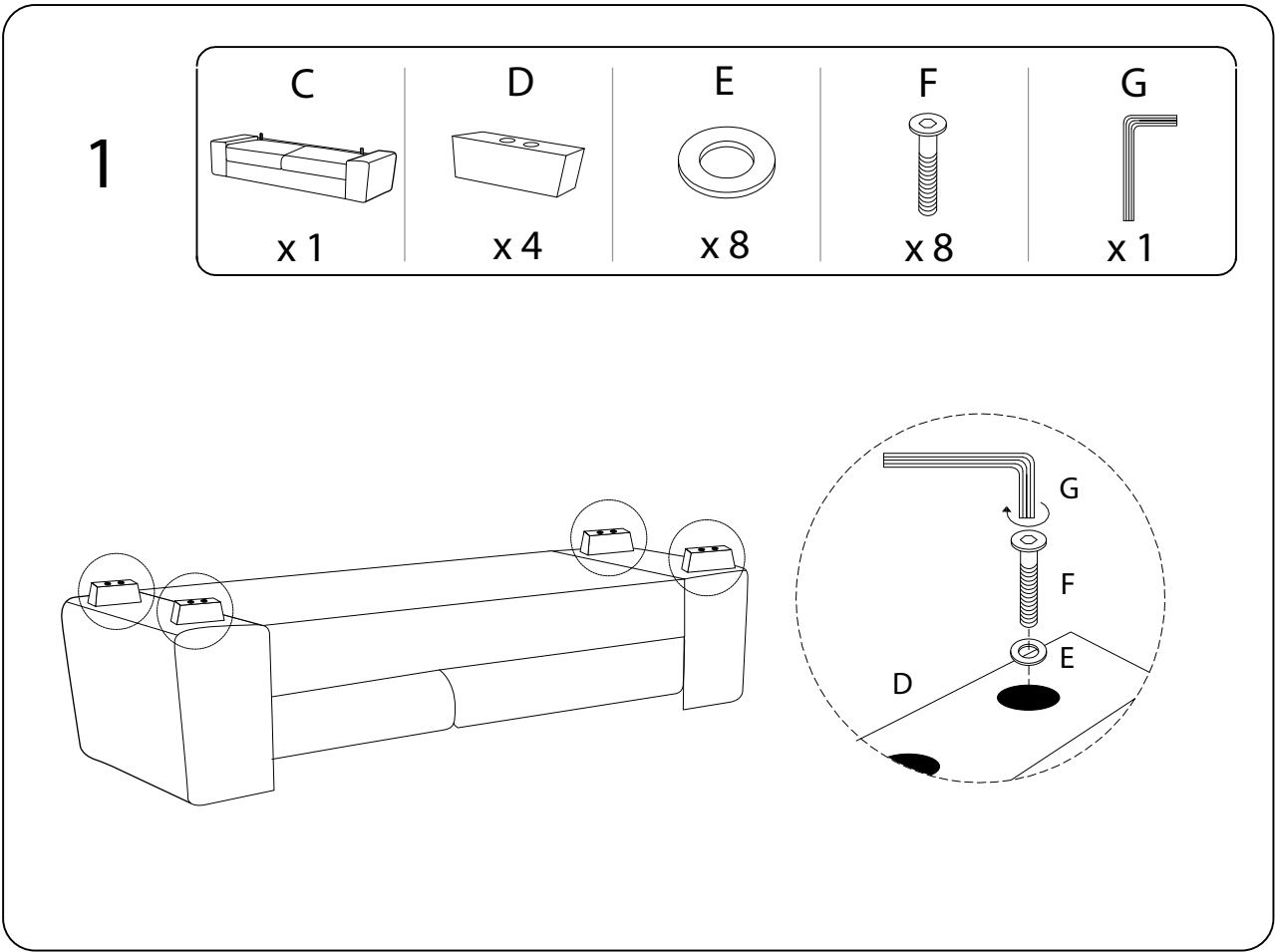
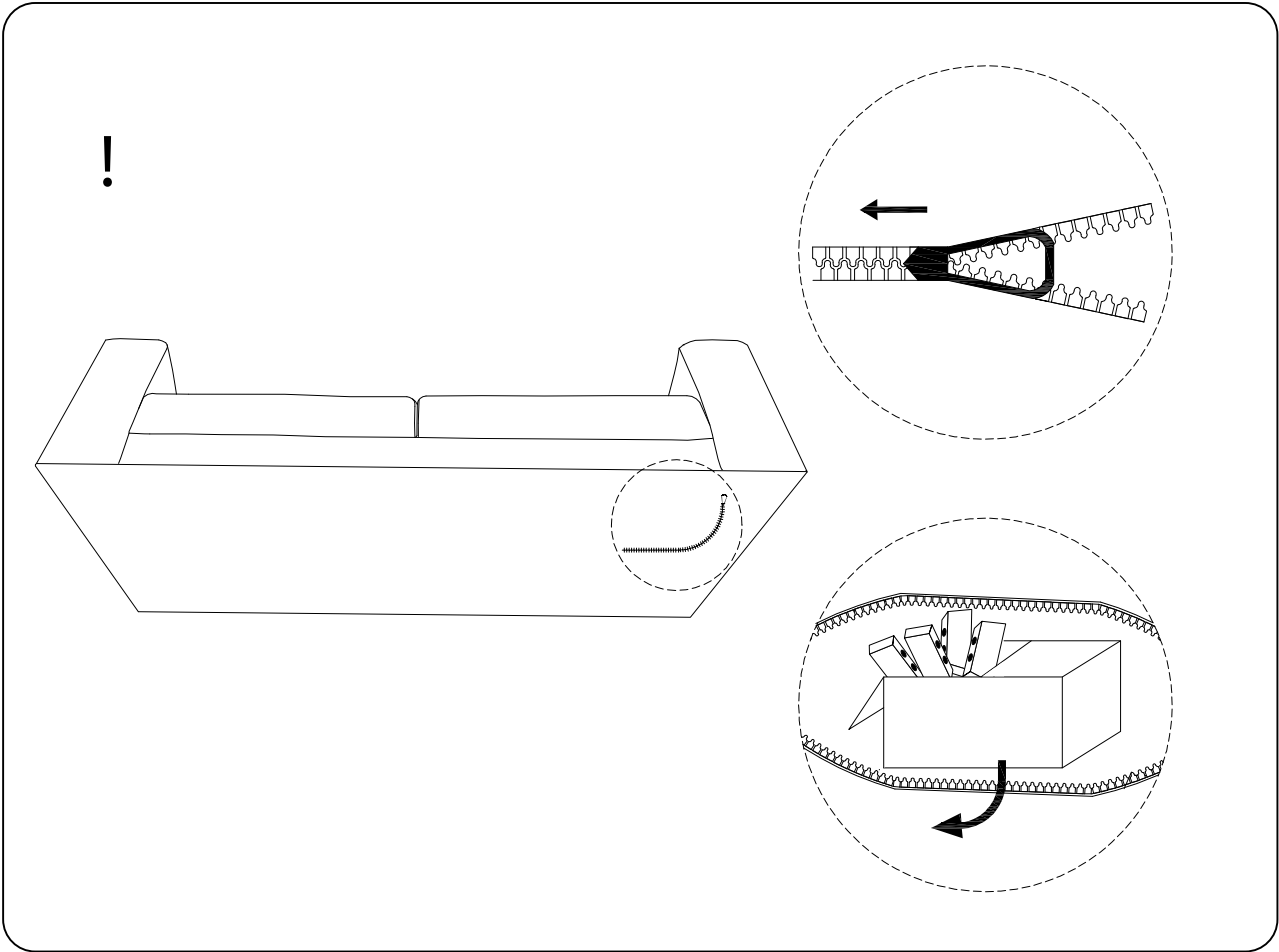
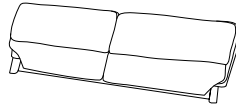
	<p>15'</p>
		
		<p>1</p>



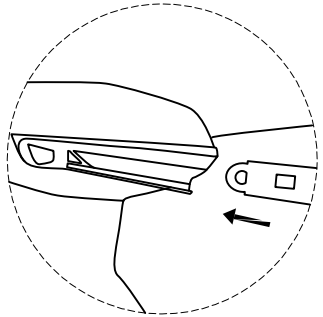
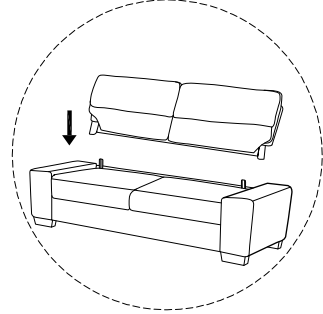
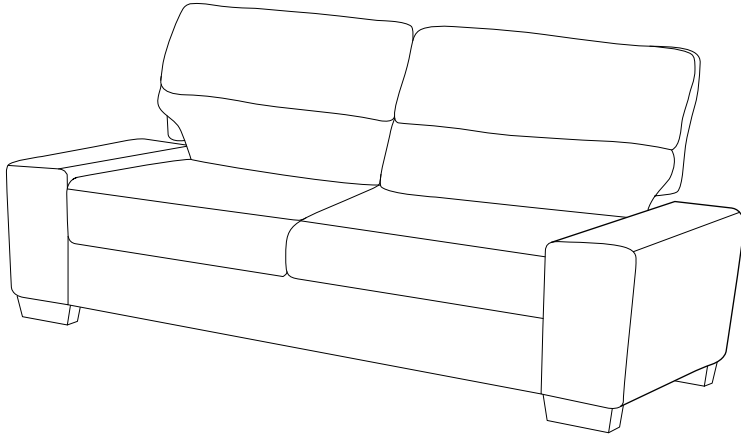


2

A



x1



3

B



x2

