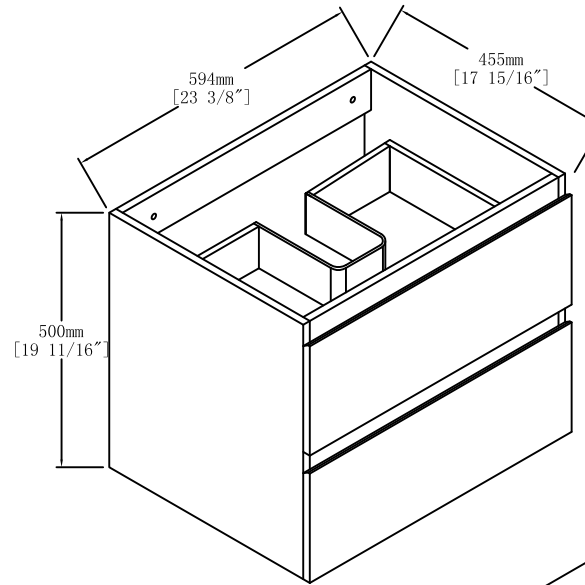
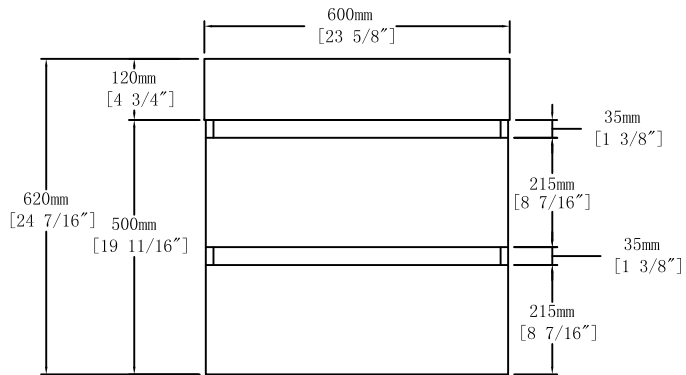


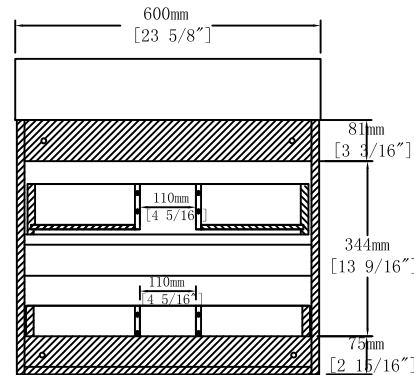
Top View



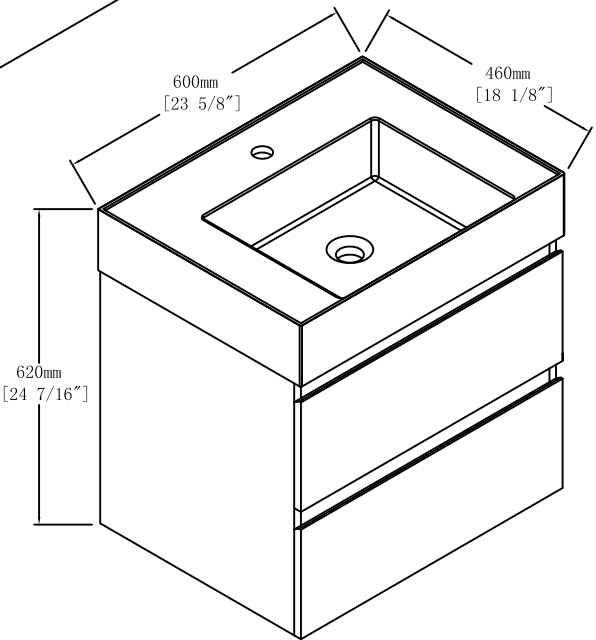
Top View



Front View



Back View



Item NO.

BV B01924-120

Version

V1

Project

Date

2024-5-27