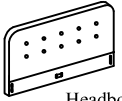
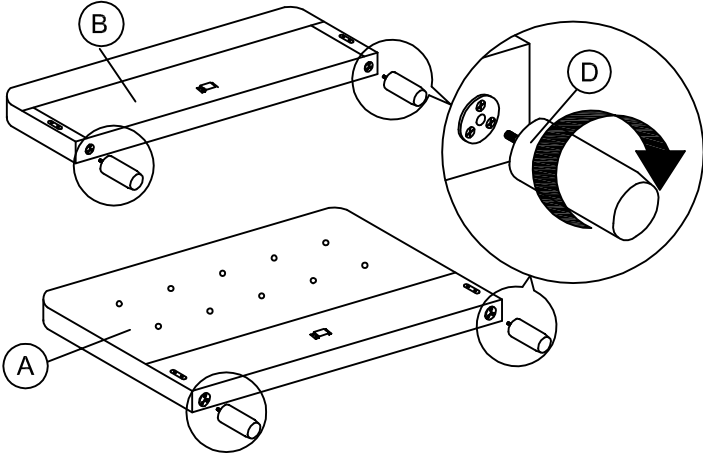
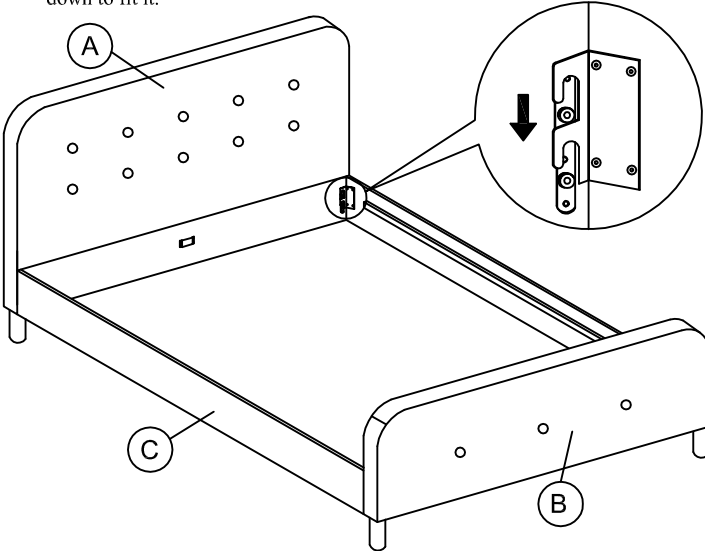






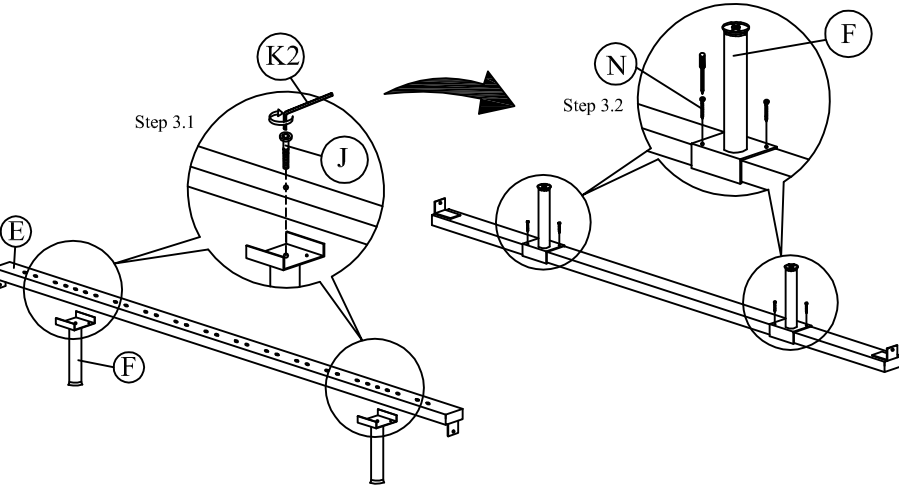
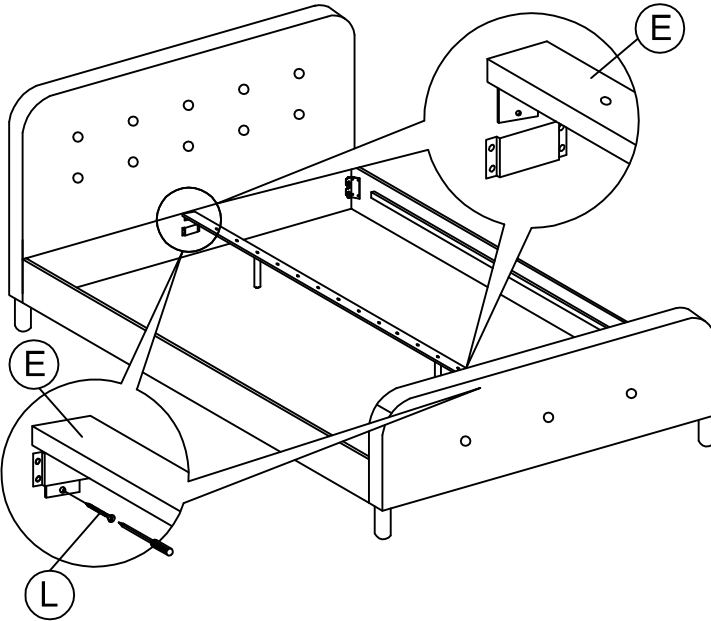

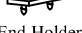
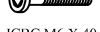
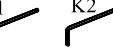






# ASSEMBLY INSTRUCTION

A	 Headboard	1 pc	<p>Step 1: Install the legs (D) to footboard (B) and headboard (A).</p> 	<p>Step 2: Attach side rail (C) to footboard (B) and headboard (A) by pushing the bracket down to fit it.</p> 
B	 Footboard	1 pc		
C	 Side Rail	2 pcs		
D	 Legs	4 pcs		
E	 Center Rail	1 pc		
F	 Support Leg	2 pcs		
G	 Slat	28 pcs	<p>Step 3: Attach the support legs (F) to the center rail (E) of the bed as shown.</p> 	<p>Step 4: Slide the center rail (E) to the headboard (A) and footboard (B). Tighten screws (L) using screw driver (not included) to the headboard (A) and footboard (B).</p> 
H	 Middle Holder	14 pcs		
I	 End Holder	28 pcs		
J	 JCBC M6 X 40	2 pcs		
K	 K1 M5 x 70mm K2 M4 x 65mm	1 pc		
L	 CSK M4 x 25mm	2 pcs		
M	 CSK M4 x 32mm	3 pcs		
N	 CSK M4 x 16mm	4 pcs		
L	 Stiffener Slat (3 Holes)	1 pc		

Step 5: Affix the Stiffener Slat (L) to the side rail support wood and the center rail (E) . Tighten all the 4 corner ,follow by a ssembly of the slat holders with LVL slats as shown.

