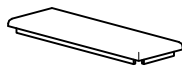
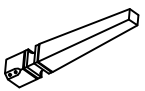


# ASSEMBLY INSTRUCTION





## DESCRIPTION : BENCH

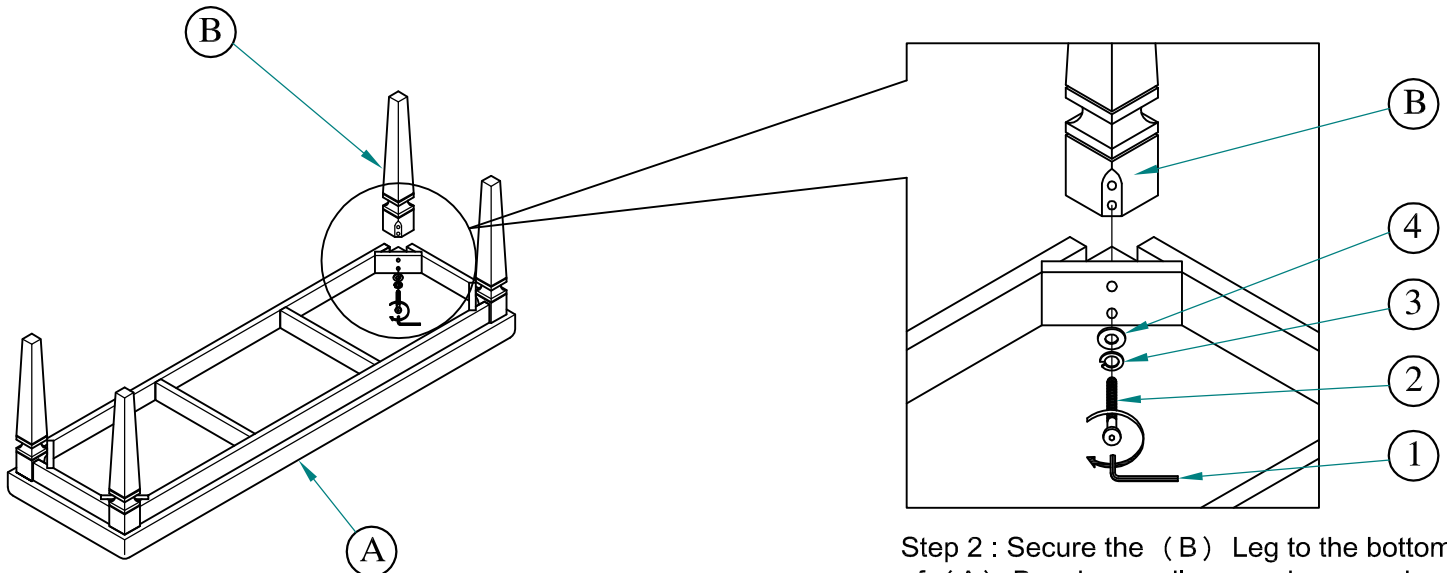
Thank you for purchasing this quality product. Be sure to check all packing material carefully for small parts which may have loose inside the carton during shipment. Identify and count all parts and compare with the parts list below.

### (BOX OF BENCH)

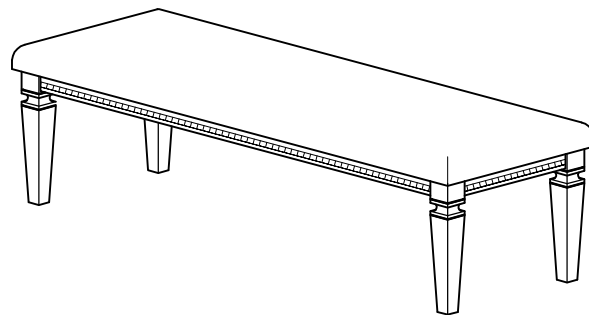
NO	NAME	PART	QTY
A	Bench		1pc
B	Leg		4pcs

### (BOX OF BENCH) HARDWARE LIST

NO	NAME	PART	QTY
1	Allen Key		1pc
2	JCBB - M8 x 60mm		8pcs
3	M8 Spring Washer		8pcs
4	5/16" Flat Washer		8pcs



Step 2 : Secure the ( B ) Leg to the bottom of ( A ) Bench as a diagram shown and tighten with ( 2 ) JCBB M8 x 60mm, ( 3 ) Spring Washer & ( 4 ) Flat Washer.



Assembly completed

### THE HARDWARE IS LOCATED IN THE PACKING ITEM

NOTE : MUST TIGHTEN SCREW PERIODICALLY. WITH USE SCREW MAY BECOME LOOSE. CHECK TIGHTNESS OF ALL SCREW EVERY 6-8 WEEKS.

### CLEANING INSTRUCTION

After assembly , clean & polish the completed parts if necessary with softcloth and industrial recognized furniture polish