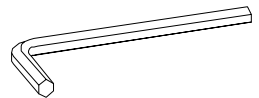
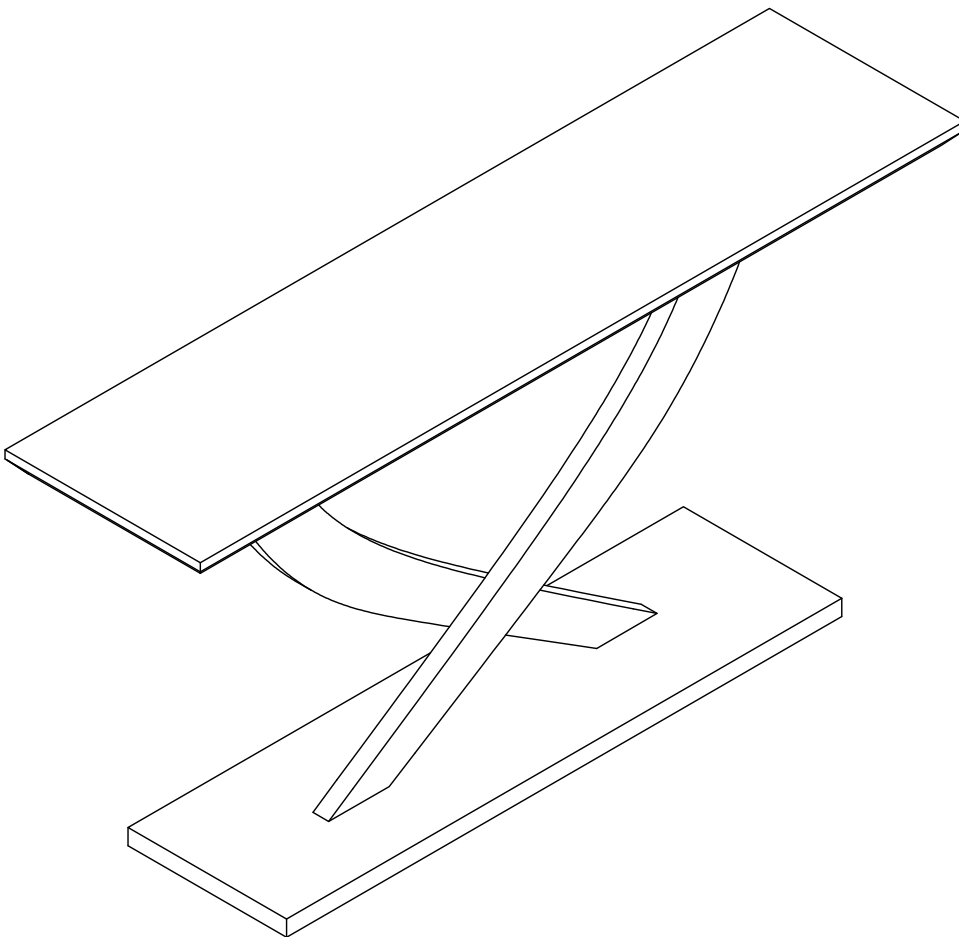


ASSEMBLY INSTRUCTIONS

TOOLS REQUIRED

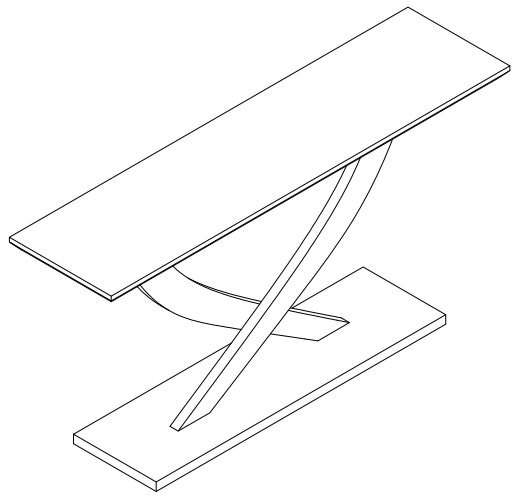



Allen key
(Included)



2 - People

Enjoying this product? We'd love your 5-star review!
If you have any issues, our support team is happy to help.



 **CHECK BEFORE STARTING**

Are you missing anything?

Please double check all hardware and parts match the assembly guide before putting the product together. If damaged, we suggest you put the item back in the box and start your claim or return

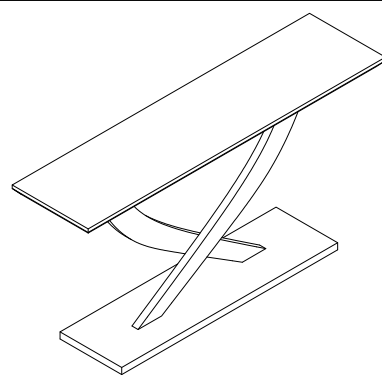
Should we send any replacements?

If there are any manufacturer defects or missing pieces please contact us for replacements. If purchased online, please contact the website of where you purchased it from, **DIRECTLY**

IMPORTANT INFO before assembly:

If there's a problem with the parts do not attempt to assemble the product

- Place all parts on a clean and smooth surface such as a rug/carpet to avoid parts from being scratched
- When tightening screws to product do not overtighten until product is fully setup
- If product is too heavy for a single person to carry do not attempt and ask for assistance
- **DO NOT DRAG** or **PUSH** item to desired location. Must be carried when moving
- If item is not working as intended please review the assembly guide to see if any steps were missed or incorrectly built. If there's a problem with part please contact seller for additional assistance
- Please keep all hardware and small parts away from pets/infants
- Please wear gloves or protective gear to protect from getting cuts
- It is normal for new furniture to have an off gassing smell. Please air out furniture near a window for a few hours or a day before placing it in its desired location
- All products may have a slight color and texture variation due to different shipments, natural materials, screen- resolutions, or lighting in home. Images are rendered by different devices or websites



PARTS

Ⓐ x 1

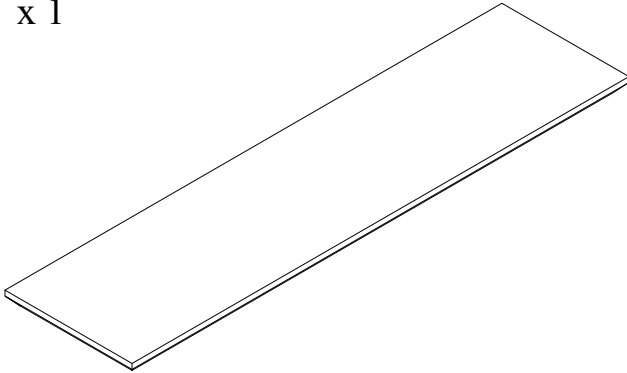
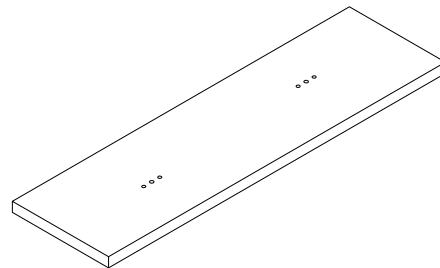


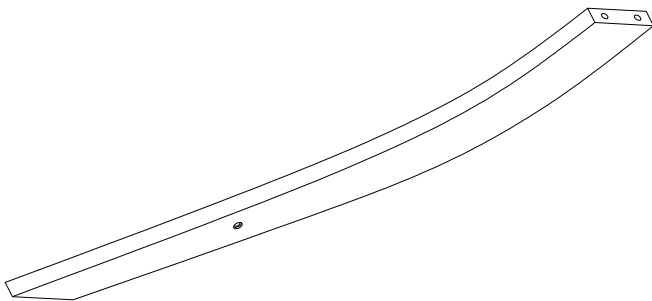
Table Top

Ⓑ x 1



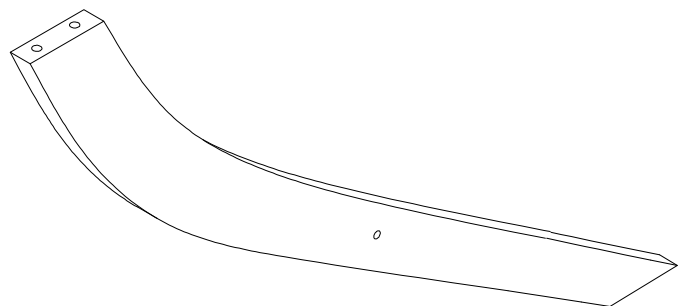
Bottom

Ⓒ x 1



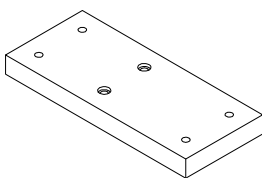
Back Leg

Ⓓ x 1





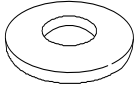
Front Leg

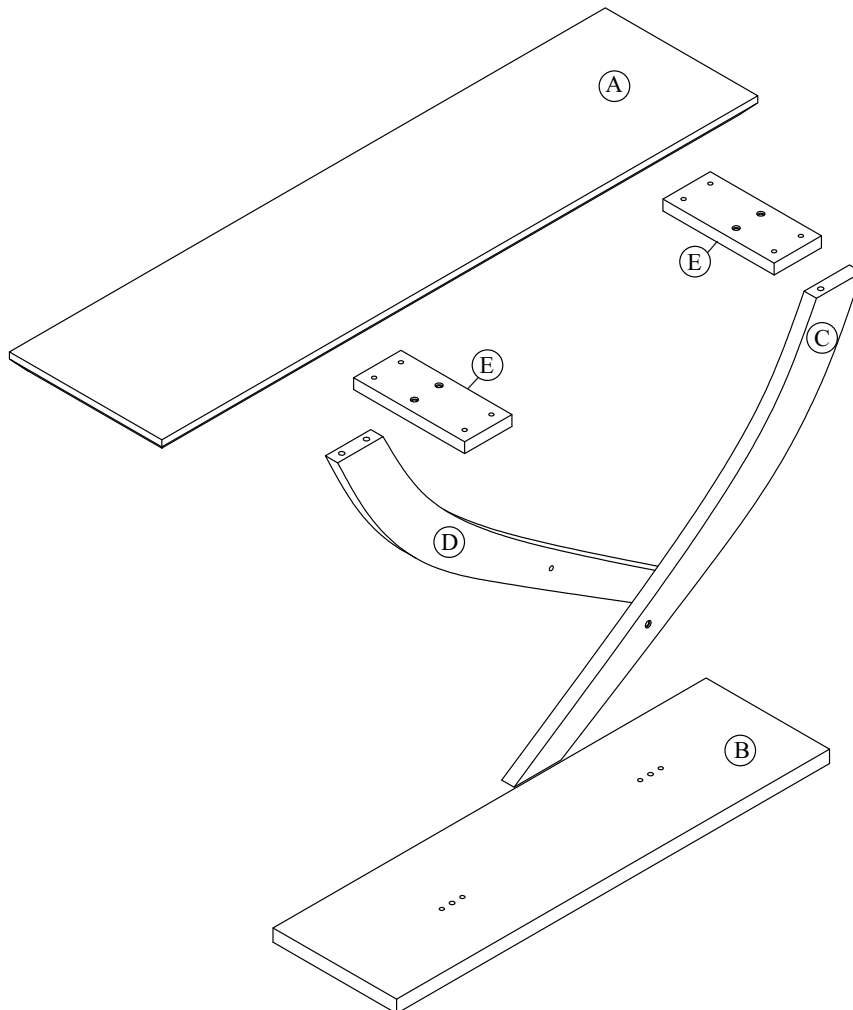
Ⓓ x 2



Wooden
Board connector

HARDWARE

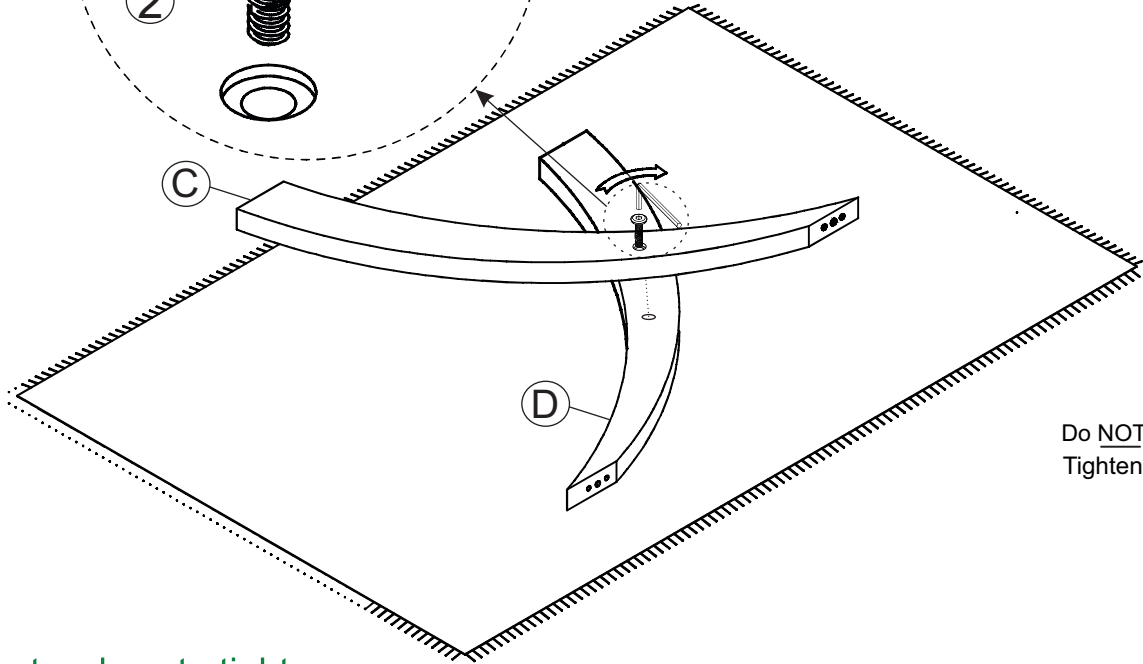
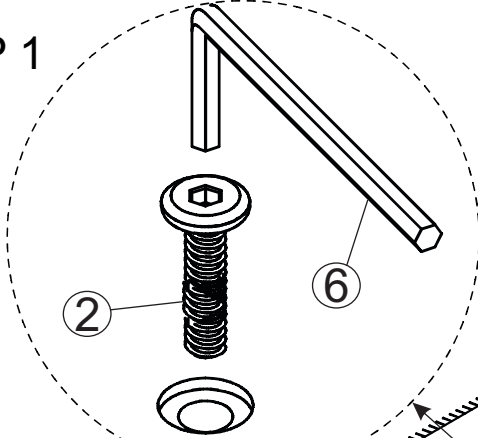
No.	OUTLOOK	DESC	QTY
1		Bolts 1/4"x30 mm	8 PCS
2		Bolts 5/16"x50 mm	9 PCS
3		Wooden dowel Ø10x30 mm	2 PCS
4		Plain washer Ø1/4"x12 mm	8 PCS
5		Spring washer Ø1/4"x12 mm	8 PCS
6		Allen key 80x30x4 mm	1 PC



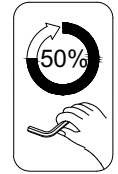
STEP 1

2x 1

6x 1



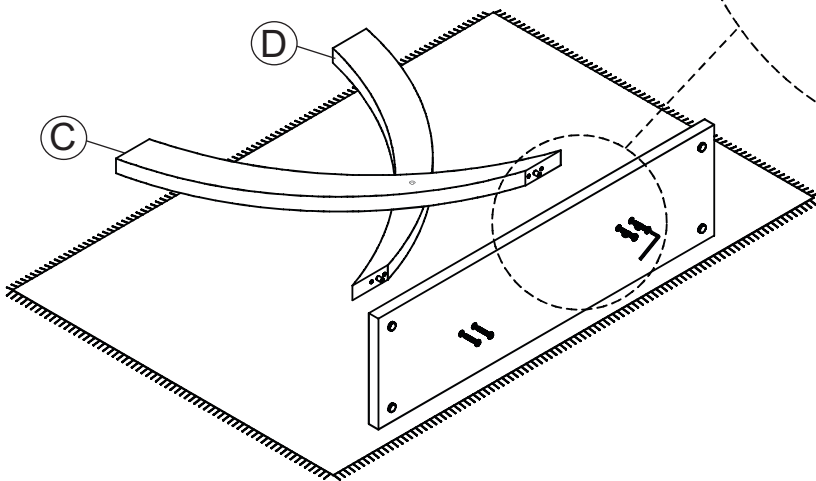
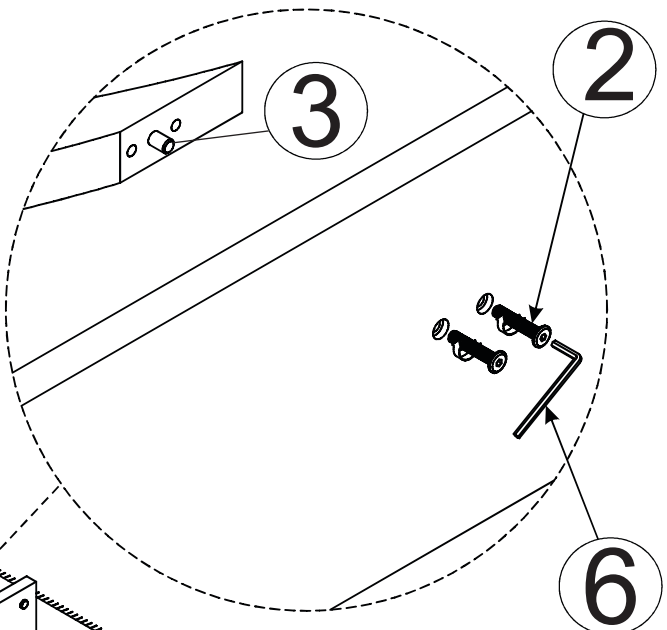
Do **NOT** overtighten hardware.
Tighten only 50% for now.



Turn two legs to tighten

STEP 2

You must tighten 100% all Bolt this step



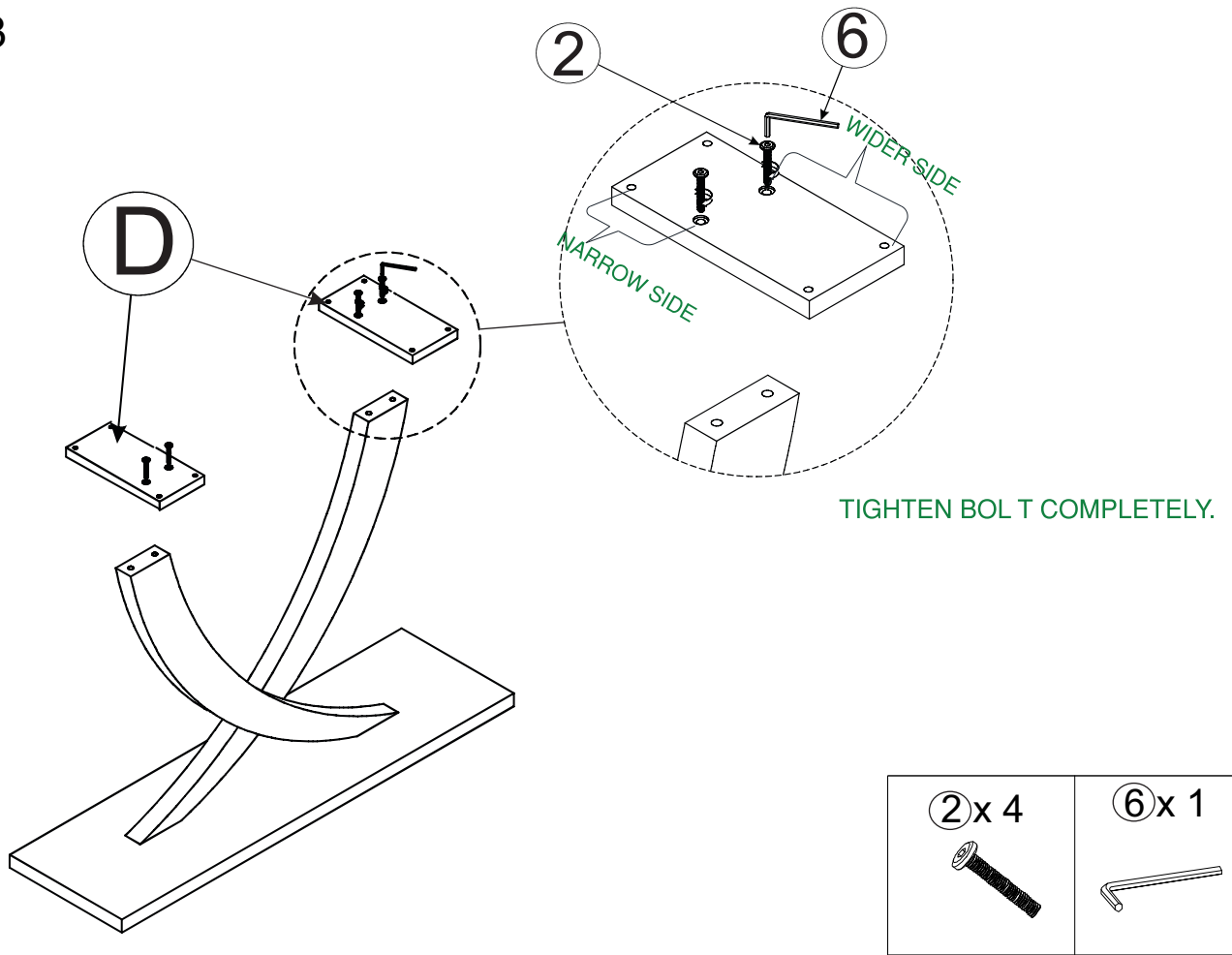
2x 4

3x 2

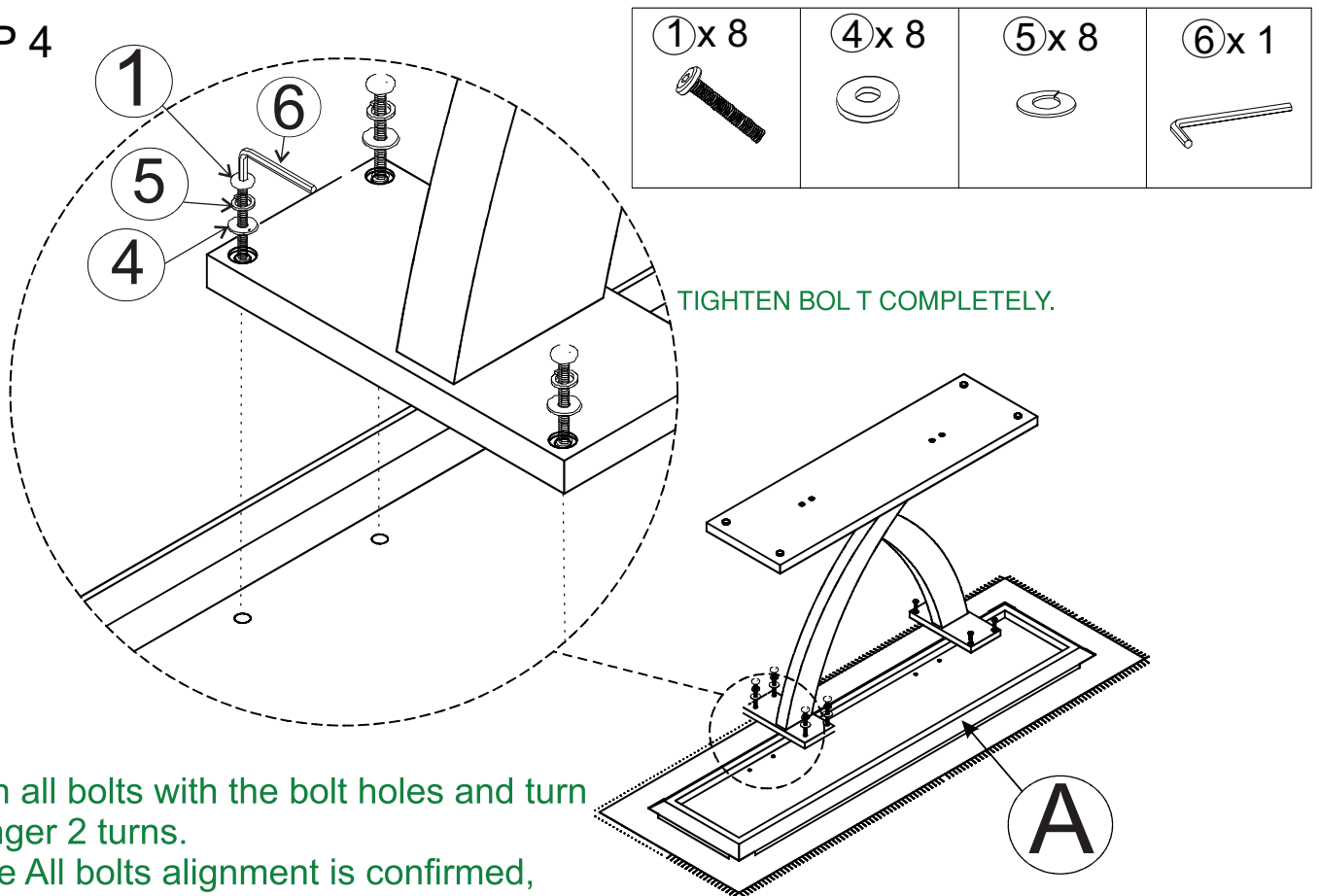
6x 1



STEP 3



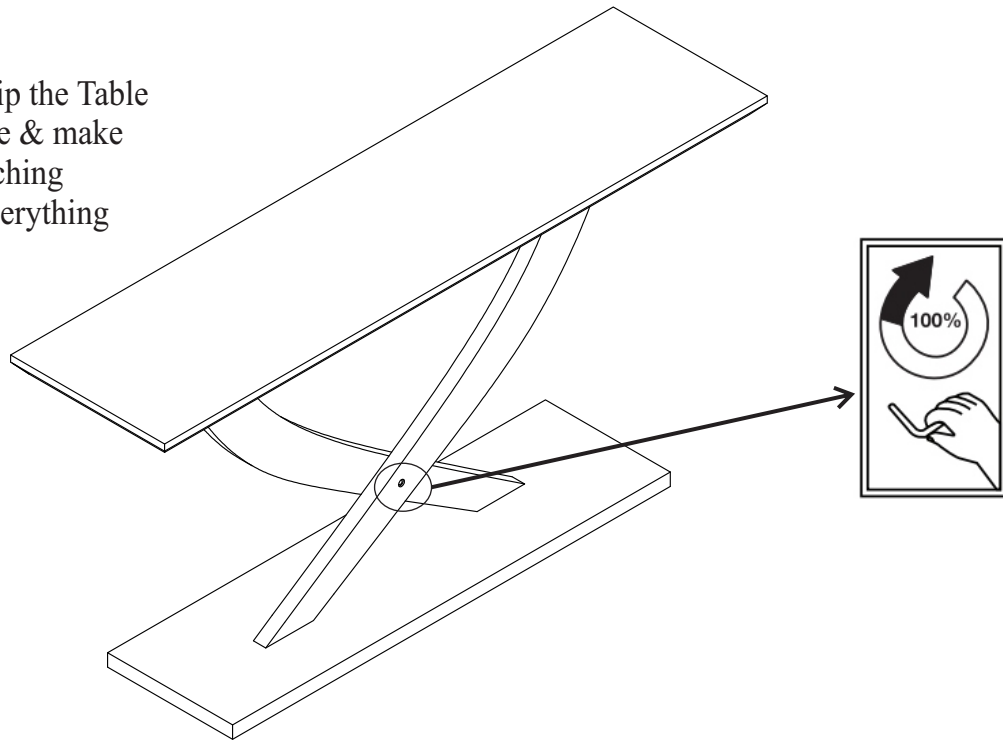
STEP 4



- Align all bolts with the bolt holes and turn by finger 2 turns.
- Once All bolts alignment is confirmed, tighten securely using provided allen key.

Step 5

Last but not least, flip the Table over on a flat surface & make sure all legs are touching before tightening everything from to 100%.



Finish

