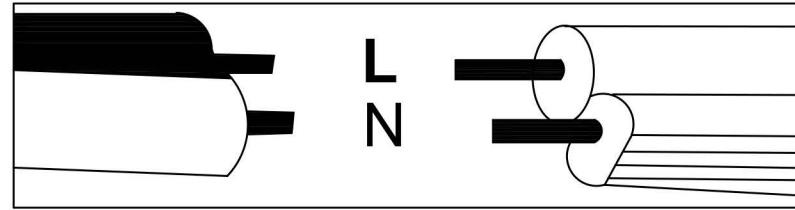


## WIRE CONNECTION DIAGRAM

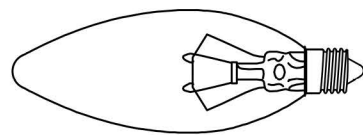
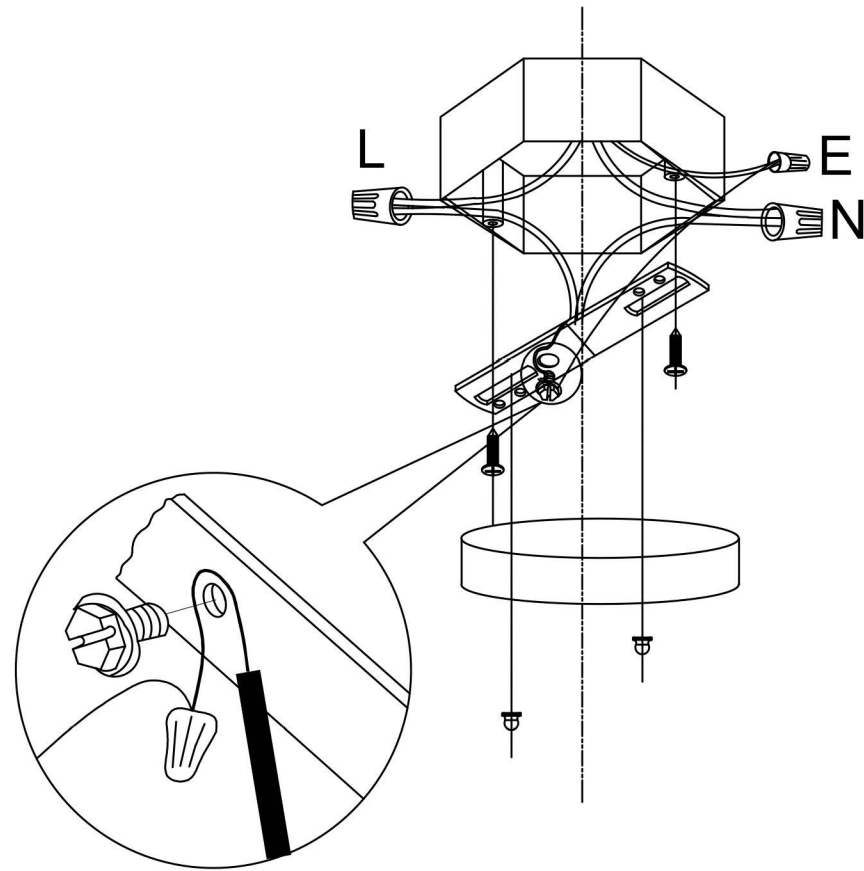
Wires met safety standards are recommended to connect the supply circuit.

**CAUTION: Risk of fire**



## CANOPY INSTALLATION INSTRUCTIONS

Please read all instructions carefully. Before you proceed to install, make sure that the power supply is turned off and remains off until installation is complete.



E12

Light Bulb (Not included)

## USER MANUAL

Dear Customer

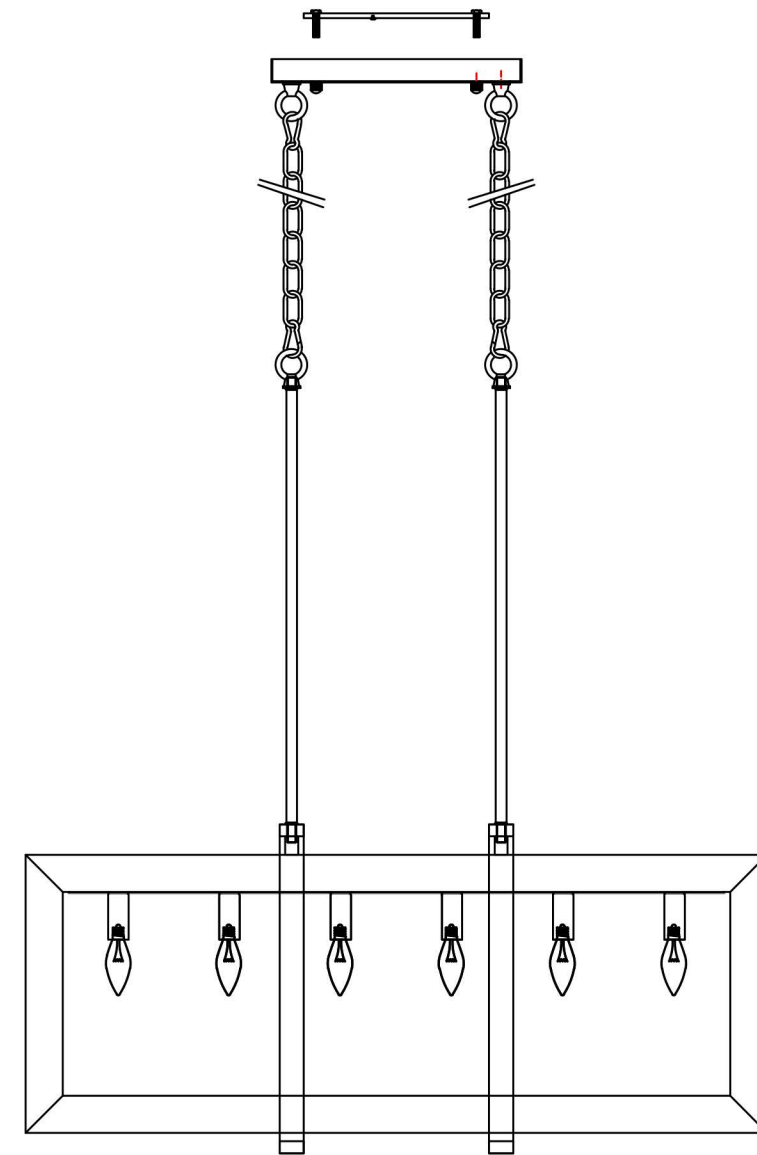
Thank you for your business!

If you have any question or problem, please text or call us

We want you to be completely satisfied with your purchase.

Product review means the world to us, if you want to share your experience you can leave a short product review.

Thank you



( Rated 110-130V/60Hz, bulb 40W-60W maximum.)

# Assembly and Installation Steps

## Step 4

1. Lock the crossbar to the junction box of the ceiling by using 2 pcs of 5/32 screws in the accessories bag.
2. Connect the wires. The hot/positive (+) wire is the one which has writing on it. The negative (-) wire is the one which has no writing.

## Step 5

Hang the lamp to the ceiling by attaching the screws to the nuts.



## Step 1

Put the square iron frame through the wood frame to a proper position.

## Warm Tip

It can be adjusted to the way you like it.

## Step 3

Locked together

## Step 2

Locked together

## Step 6

Install 6 E12 bulbs (Not included).

Please note: The parts in this table are completely unassembled, for illustrative purpose. In the actual product that you receive, some parts are assembled and attached together.

