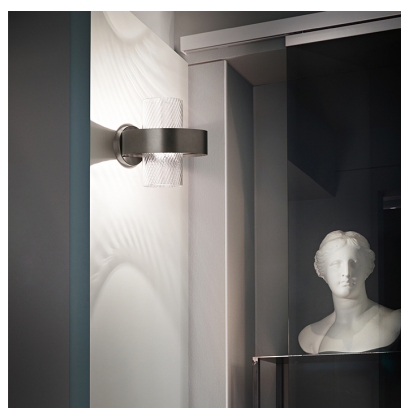


ARMONIA

Design Francesco Lucchese

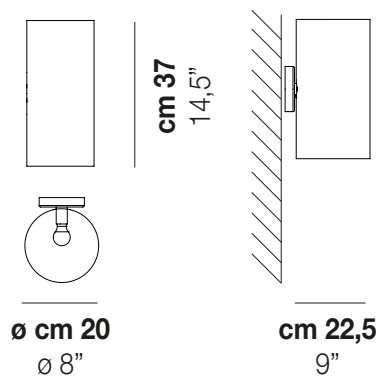
ARMONIA AP 20



A collection with contemporary connotations that incorporates precious historical features: those of glass working such as the “balloton” and the straight and twisted “rigadin”. The collection is completed by a large new suspension in which the oval frame supports four colored and textured cylinders in pure crystal and four new wall versions.



ARMONIA AP 20



TECHNICAL DATA:



CERTIFICATIONS:

LIGHT SOURCES

1x40W 120V 60HZ E12

VOLUME Mc 0,07
 GROSS WEIGHT Kg 4,5
 NET WEIGHT Kg 3

[download](#)



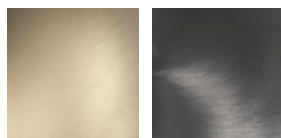
SHADE FINISHING



ADRI

CRR1

FRAME FINISHING

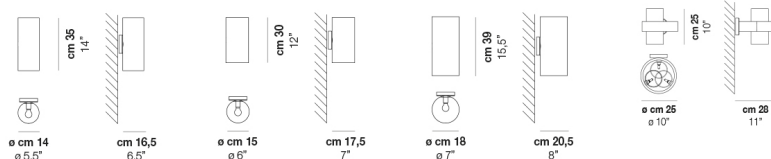


BKS

NNS

OTHER VERSION AVAILABLE

Click on the version to go to the web version of the product



[ARMON AP 14](#)

[ARMON AP 15](#)

[ARMON AP 18](#)

[ARMON AP 25](#)