

Vanity Installation

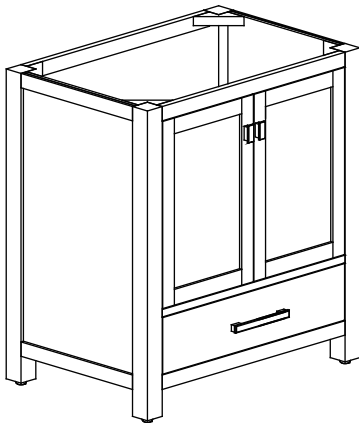
SUGGESTED TOOLS AND MATERIALS / Outils et matériaux proposés



Tape Measure / Mètre à ruban

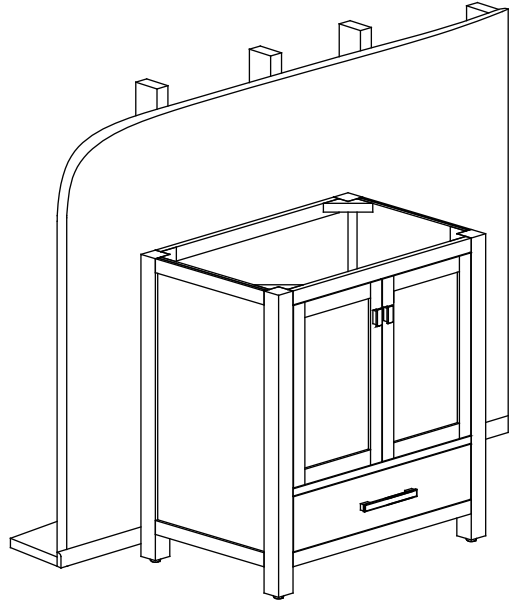
INSTALLATION INSTRUCTIONS / Les instructions d'installation

1



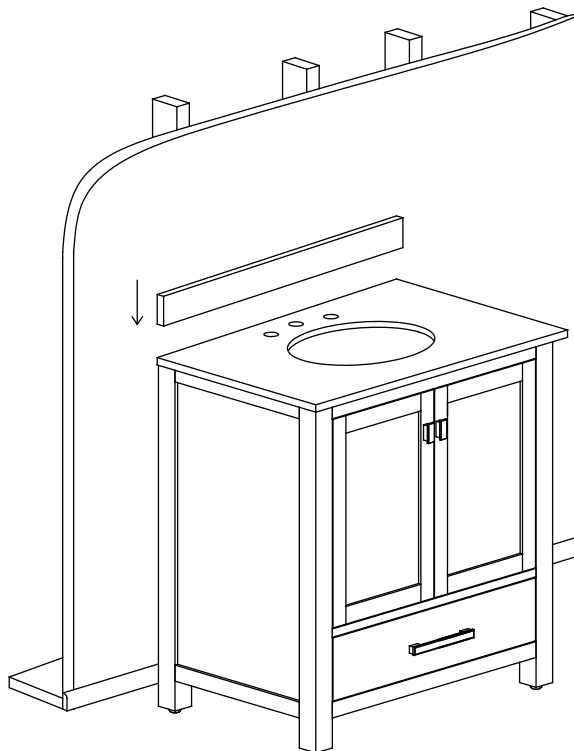
Remove vanity from box and examine vanity for any defects or damage.

2



Carefully place vanity against wall.

3



Install vanity top according to manufacturer's directions. (Top not included)