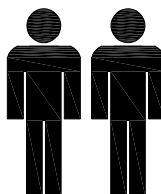
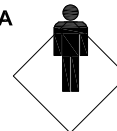


1.0hr



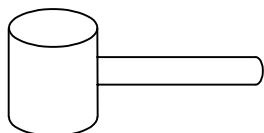
FLOOR AREA
2.0M X 2.0M



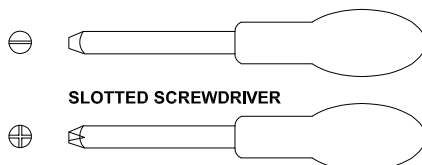
APPROXIMATE ASSEMBLY TIME 2 PERSON ASSEMBLY

REQUIRED ASSEMBLY SPACE

REQUIRED ASSEMBLY TOOLS

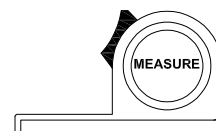


SOFT RUBBER HAMMER

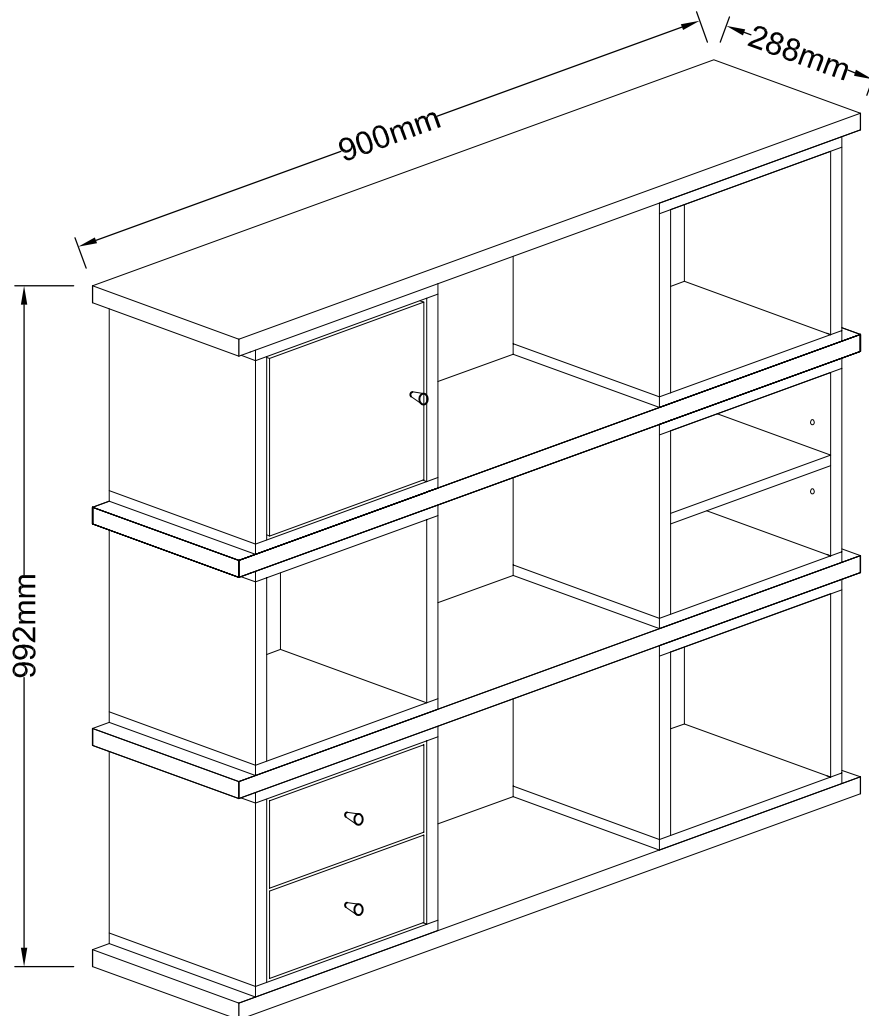


SLOTTED SCREWDRIVER

POZI SCREWDRIVER



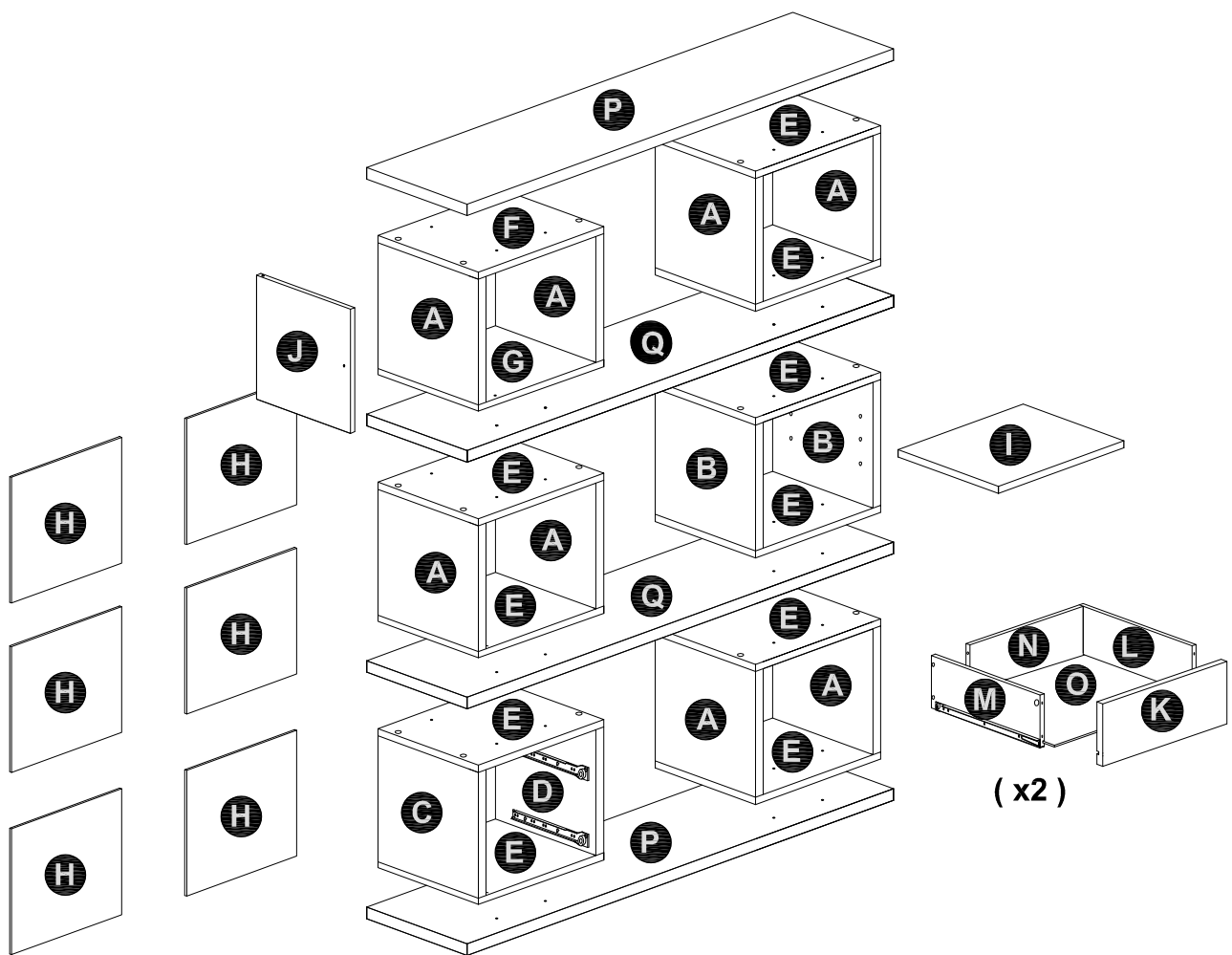
MEASURING TAPE



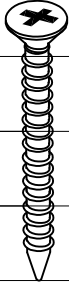
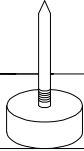

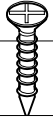
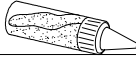
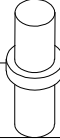
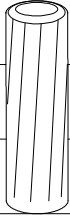
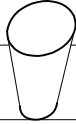
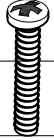
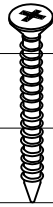
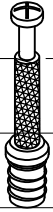

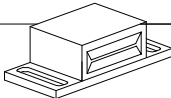
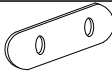
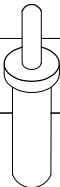
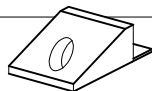


NOTE : THE MAXIMUM WEIGHT THIS PRODUCT CAN HOLD UP TO IS 25 KGS.

NO.	PART LIST	QTY	NO.	PART LIST	QTY
(A)	SIDE PANEL-A	8	(J)	DOOR PANEL	1
(B)	SIDE PANEL-B	2	(K)	DRAWER FRONT	2
(C)	SIDE PANEL-C (LEFT)	1	(L)	DRAWER SIDE -RIGHT	2
(D)	SIDE PANEL-C (RIGHT)	1	(M)	DRAWER SIDE -LEFT	2
(E)	TOP & BOTTOM PANEL-A	10	(N)	DRAWER BACK PANEL	2
(F)	TOP PANEL-B	1	(O)	DRAWER BASE	2
(G)	BOTTOM PANEL-B	1	(P)	PANEL-A	2
(H)	BACK PANEL	6	(Q)	PANEL-B	2
(I)	ADJUSTABLE PANEL	1			

PARTS LIST



HARDWARE LIST

					
48X M8 x 38mm	8X 2 LEG COVER	16X Dia.17mm	4X M3.5 x 12mm	2X 5 GLUE 10CC	4X Dia.5 x 16mm
1 FLAT HEAD SCREW		3 STICKER COVER	4 FLAT HEAD SCREW		6 SHELVE STUB
					
28X Dia.6 x 30mm	3X 8 KNOB	3X M4 x 19mm	56X M3.5 x 25mm	4X M6.5	4X Dia.15mm 9mm
7 WOOD DOWEL		9 PAN HEAD SCREW	10 FLAT HEAD SCREW	11 QUICKFIT	12 DRAWER CAMLOCK
					
1X M43 x 13mm	1X M43 x 12mm	2X	24X	24X M3 x 20mm	
13 MAGNET	14 WASHER	15 SPRING DOOR SUPPORT	16 BACKPLY STOPPER	17 FLAT HEAD SCREW	
					
			2X 18 ANTI TIP STRAP		

Top Tips before you start!

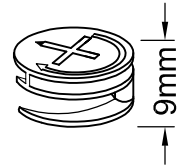
1. Please check that all parts are present before you start the assembly of your furniture.
2. For ease and speed of assembly, we recommend that before you commence each step of the assembly, that you identify all the parts required for that step.
3. For larger items, please ensure that you have sufficient space and people (as indicated on page 1) to assemble your product safely
4. We recommend that, where possible, all items are assembled near to the area in which they will be placed in use, to avoid moving the product unnecessarily once assembled.
5. For the protection of your furniture, we recommend that the product is placed on a protected surface during assembly to prevent any damage.
6. During assembly please take care not to over-tighten any fittings, as this may damage the product.
7. Always place the product on a flat, steady and stable surface.
8. Do not sit or stand on the product. Do not use the product as a stepladder.
9. This product is intended for indoor, household use only as it is non industrial product.
10. This product is constructed from re-inforced hollow board. Excessive pressure causes irreparable damage. Please do not kneel on any part of this product during assembly.

Care and Maintenance of your Furniture

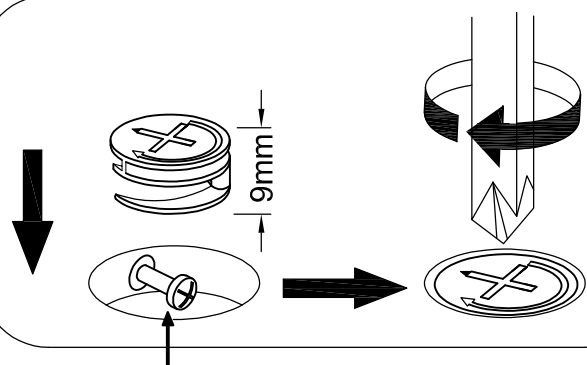
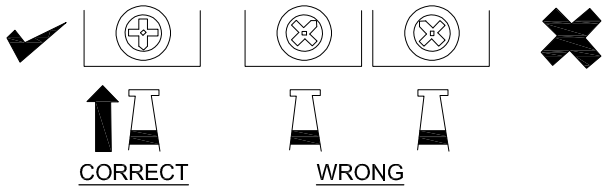
- Please periodically check all fittings and re-tighten as necessary.
- To clean your item, please use a damp cloth and wipe clean.
- Never allow any kind of liquid to remain on your furniture. Absorption can cause wood to warp or finishes to de-laminate.
- Please do not place hot items (e.g. hot drinks) directly on to the wood surface.
- Please do not drag and pull your furniture.

SPECIAL TIPS FOR FITTING CAM-LOCKS AND QUICKFIT

DRAWER CAM-LOCK



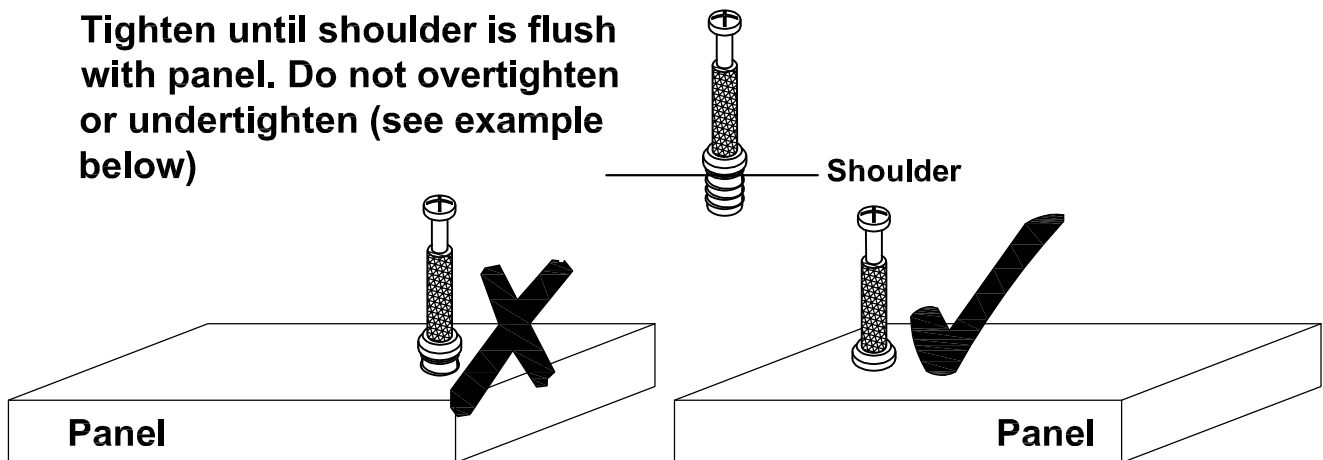
WHEN FITTING CAMLOCK
ENSURE STARTING POSITION IS CORRECT
BEFORE YOU INSERT CONNECTING QUICKFIT
TURN CLOCKWISE UNTIL SECURE



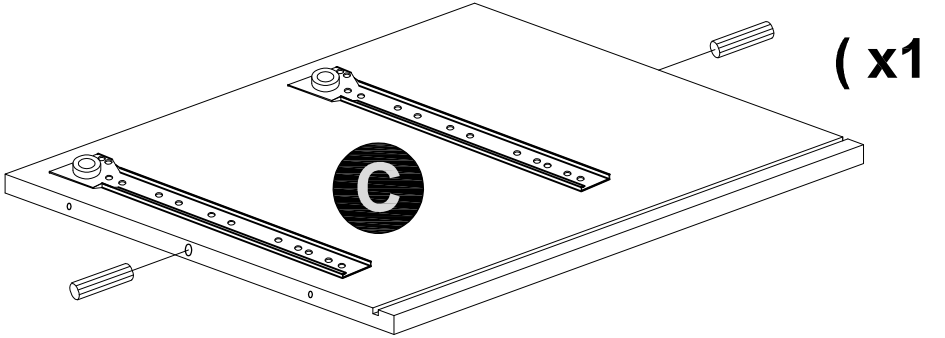
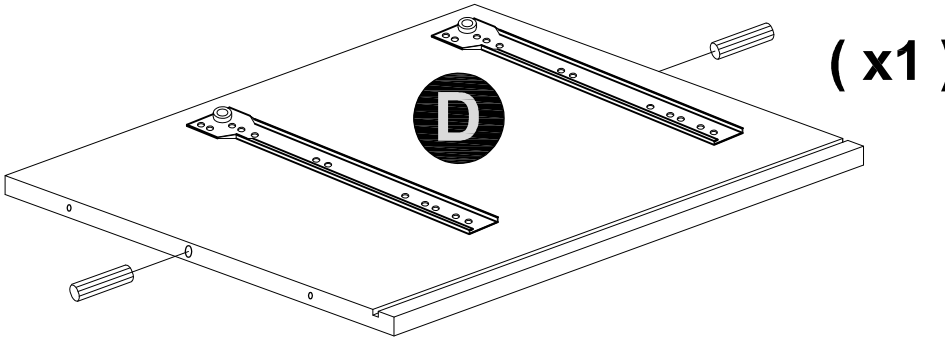
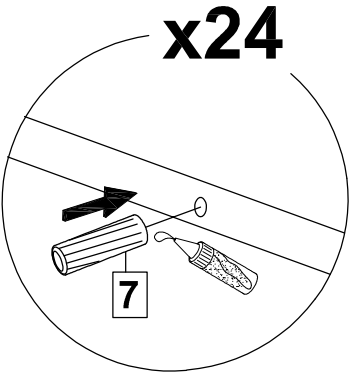
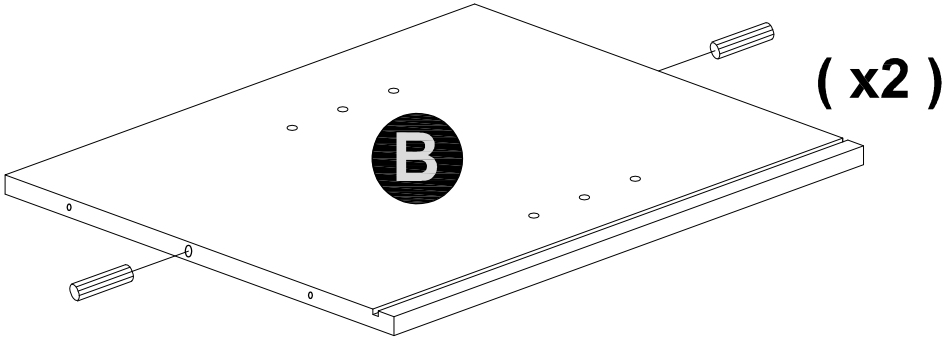
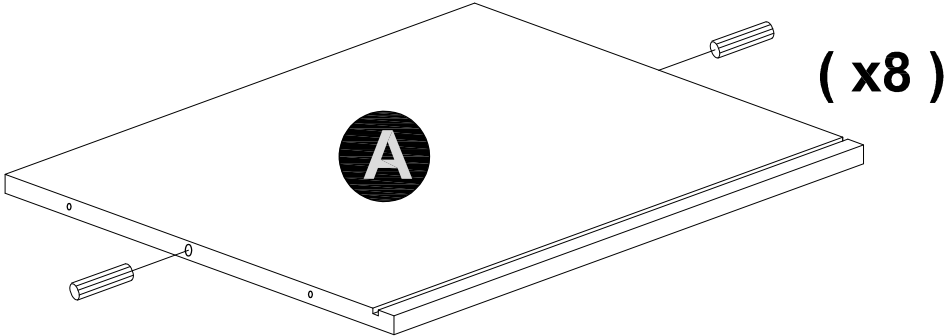
Quickfit head needs to be in centre

CAM BOLT

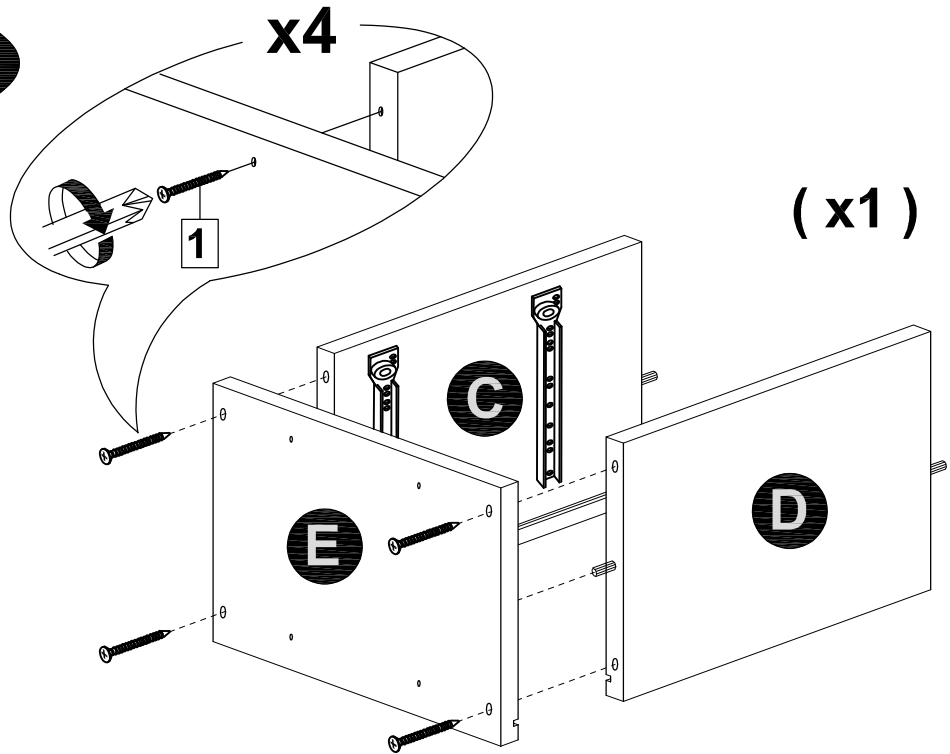
Tighten until shoulder is flush with panel. Do not overtighten or undertighten (see example below)



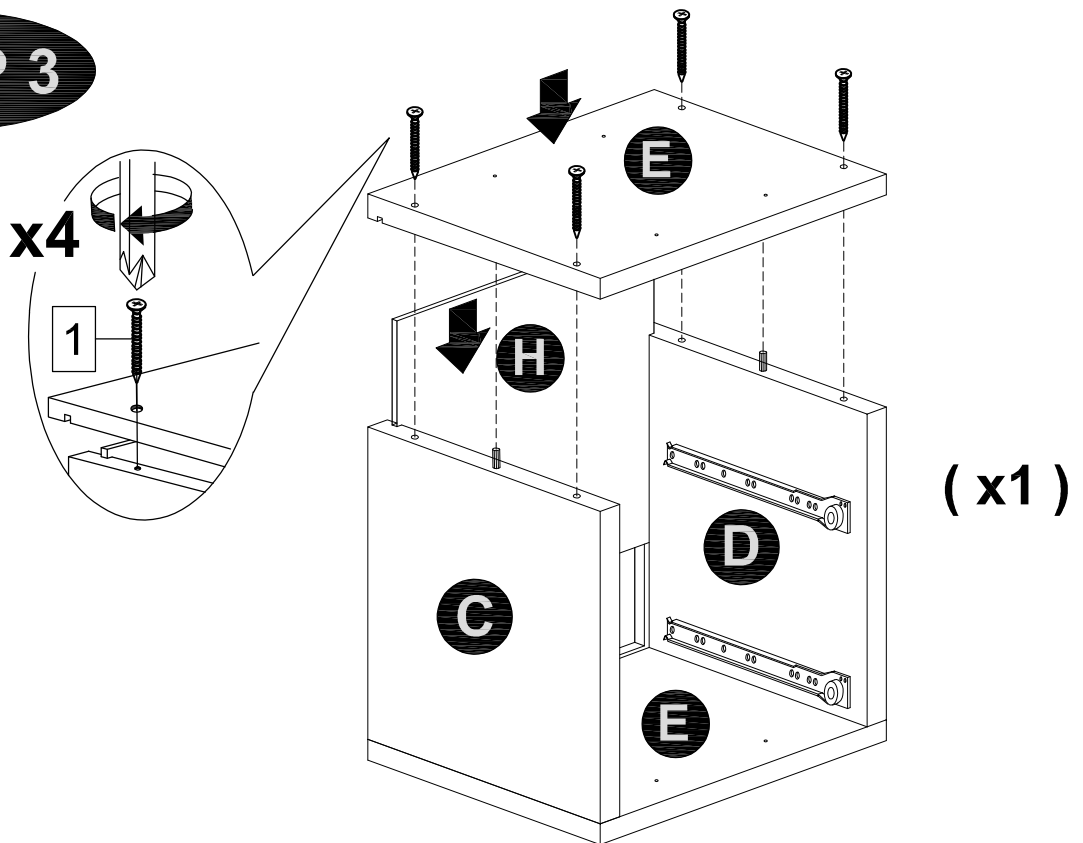
STEP 1



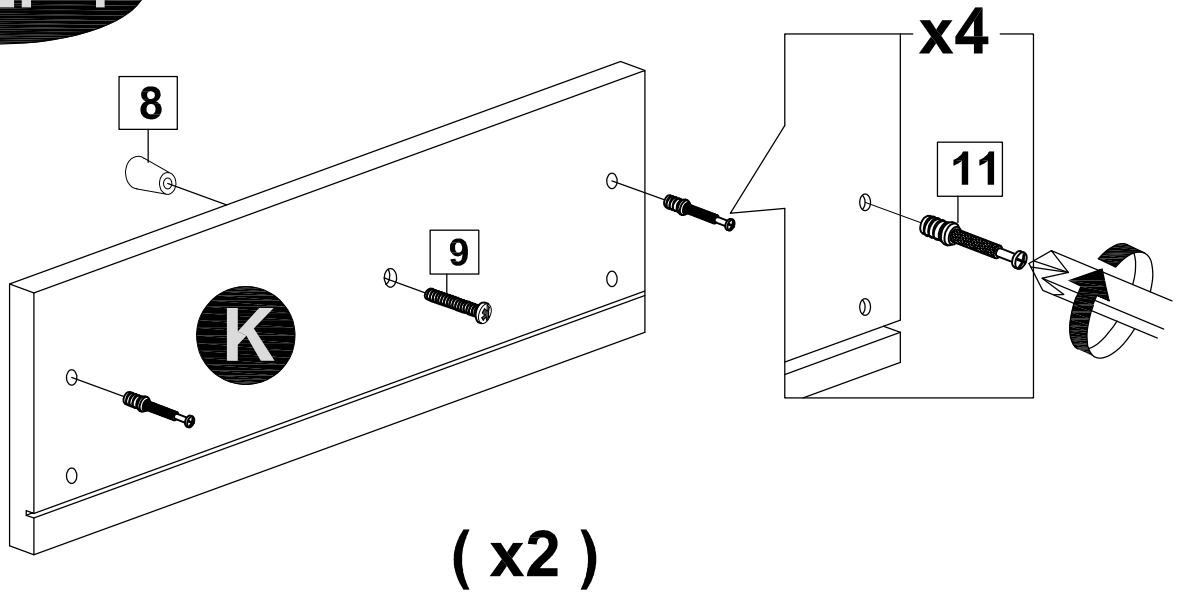
STEP 2



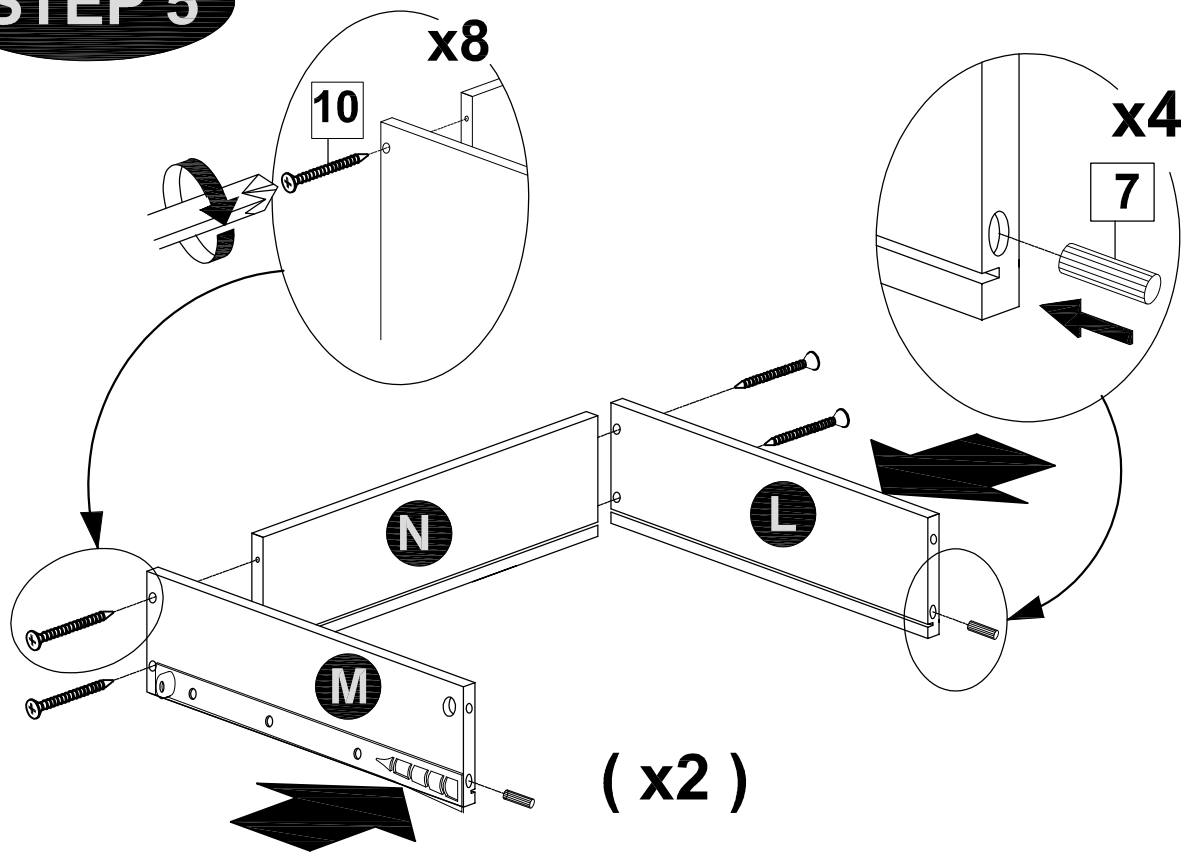
STEP 3



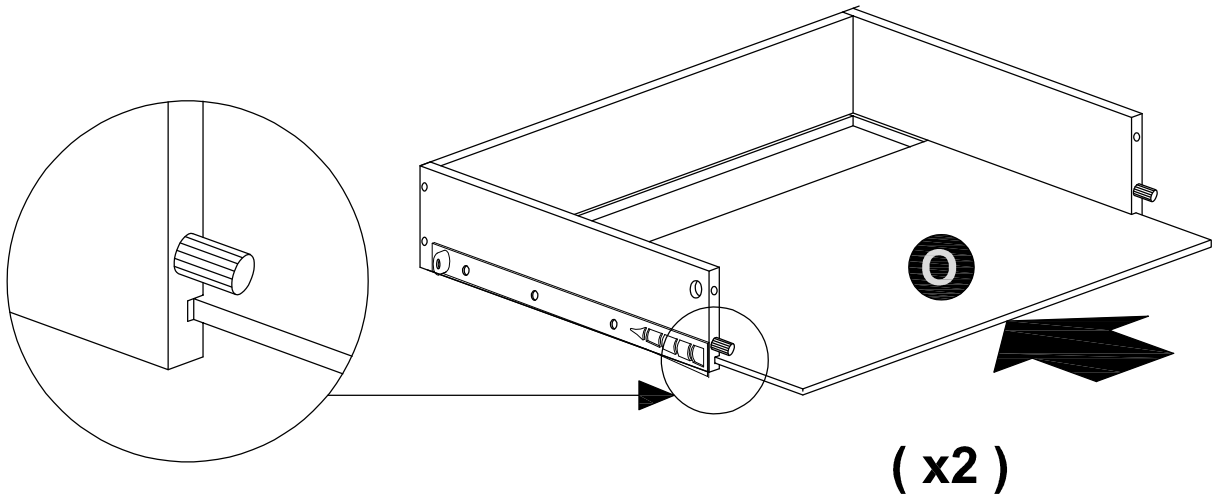
STEP 4



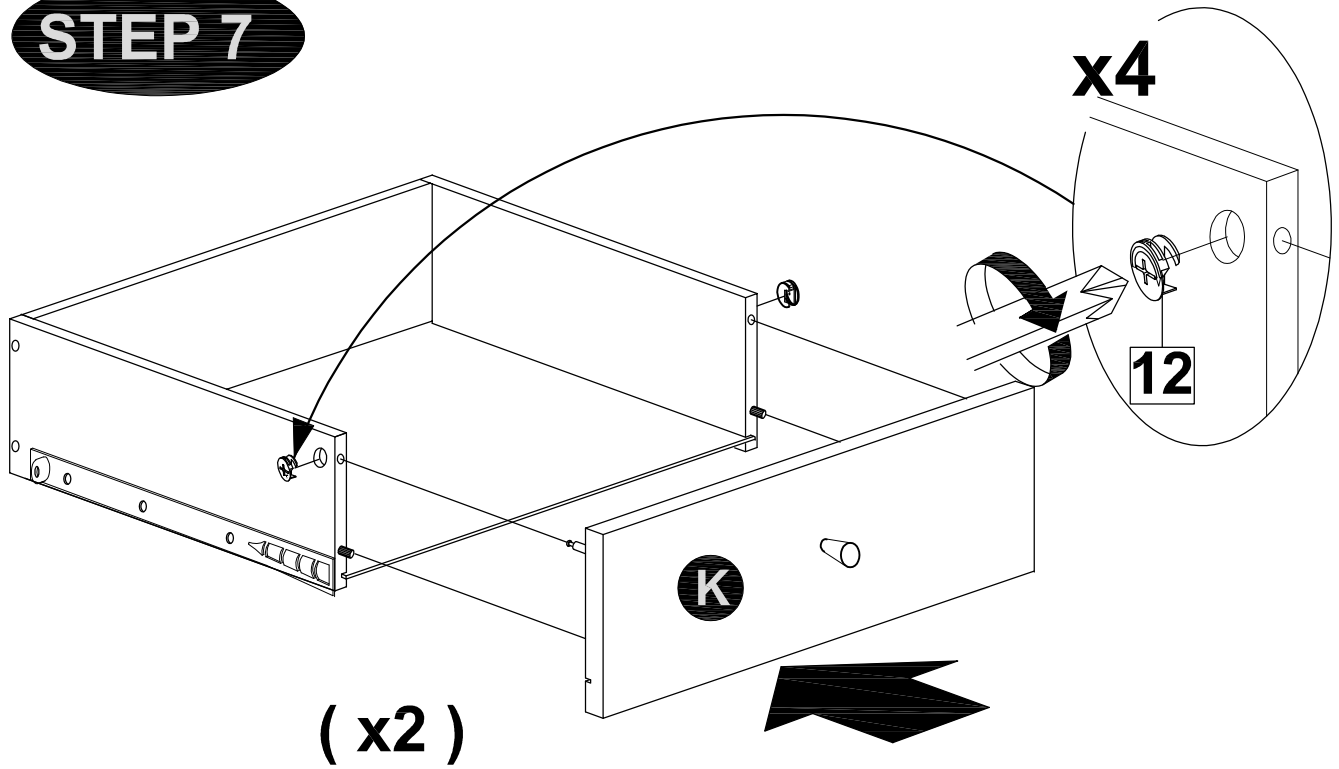
STEP 5



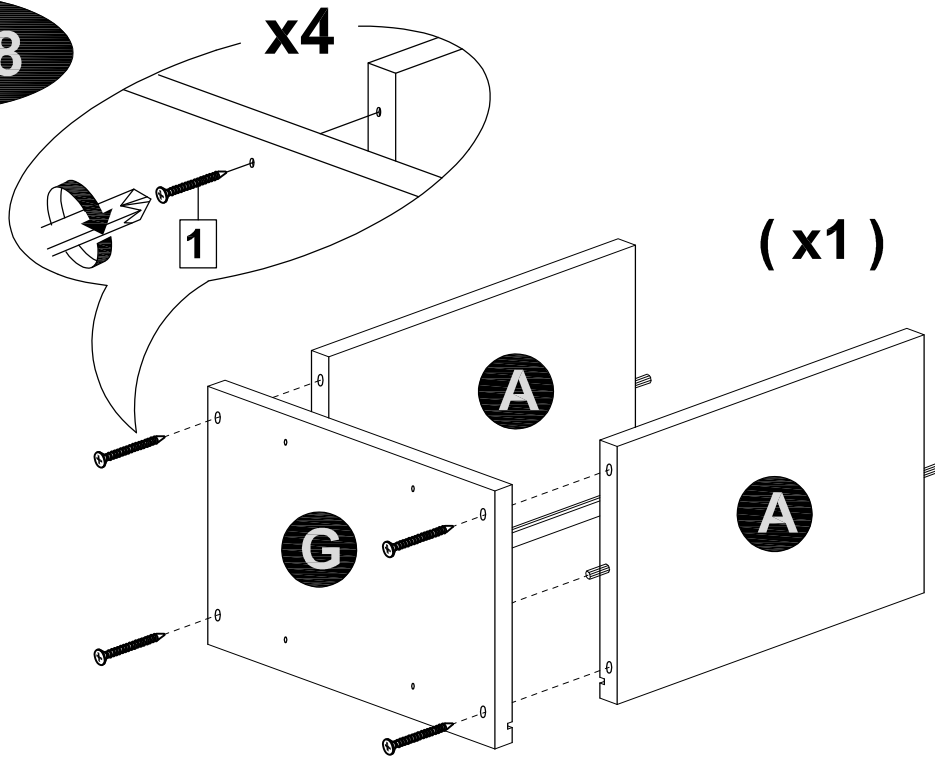
STEP 6



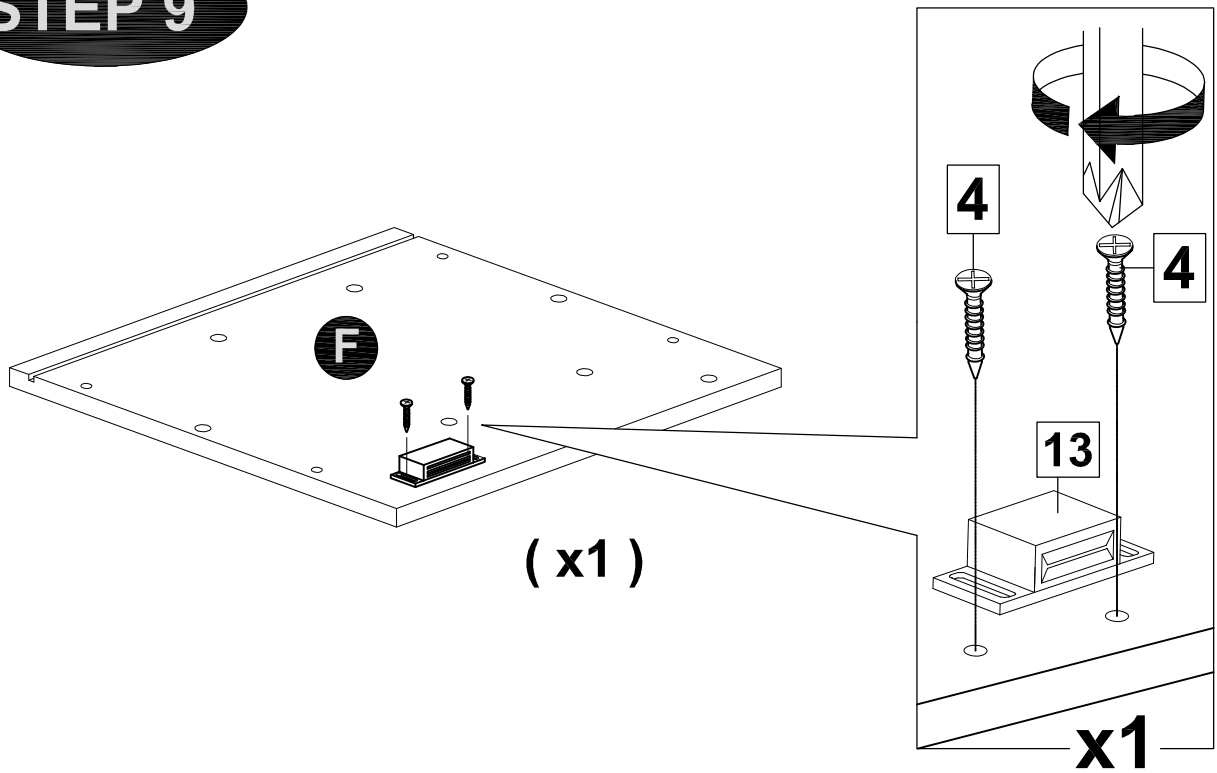
STEP 7



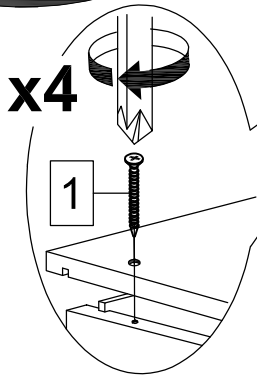
STEP 8



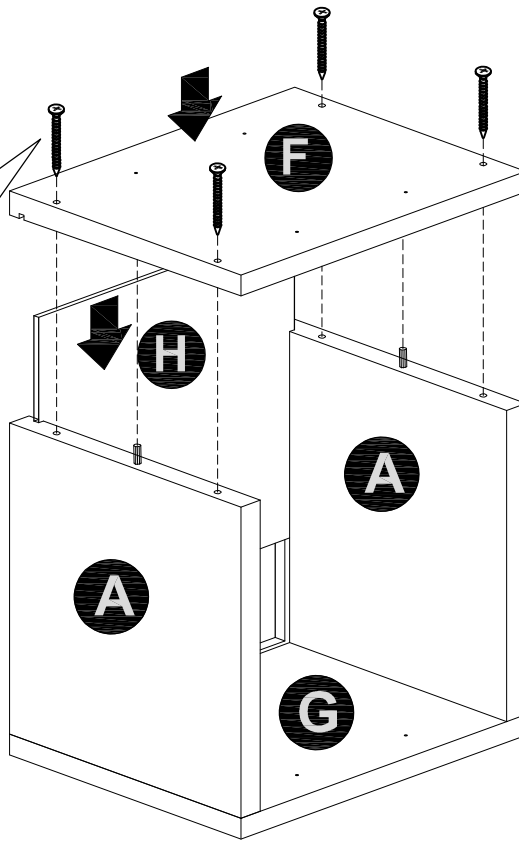
STEP 9



STEP 10

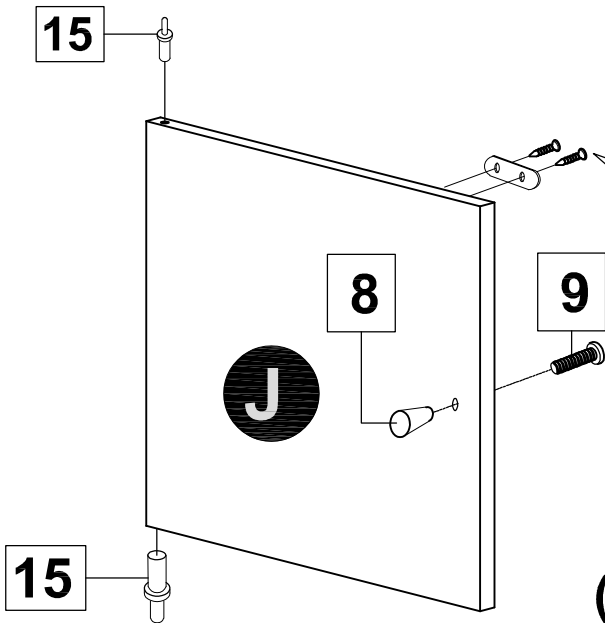


x4

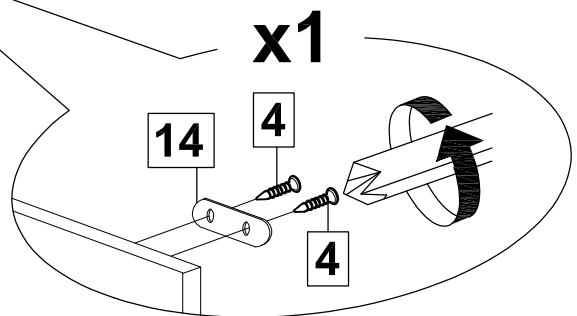


(x1)

STEP 11

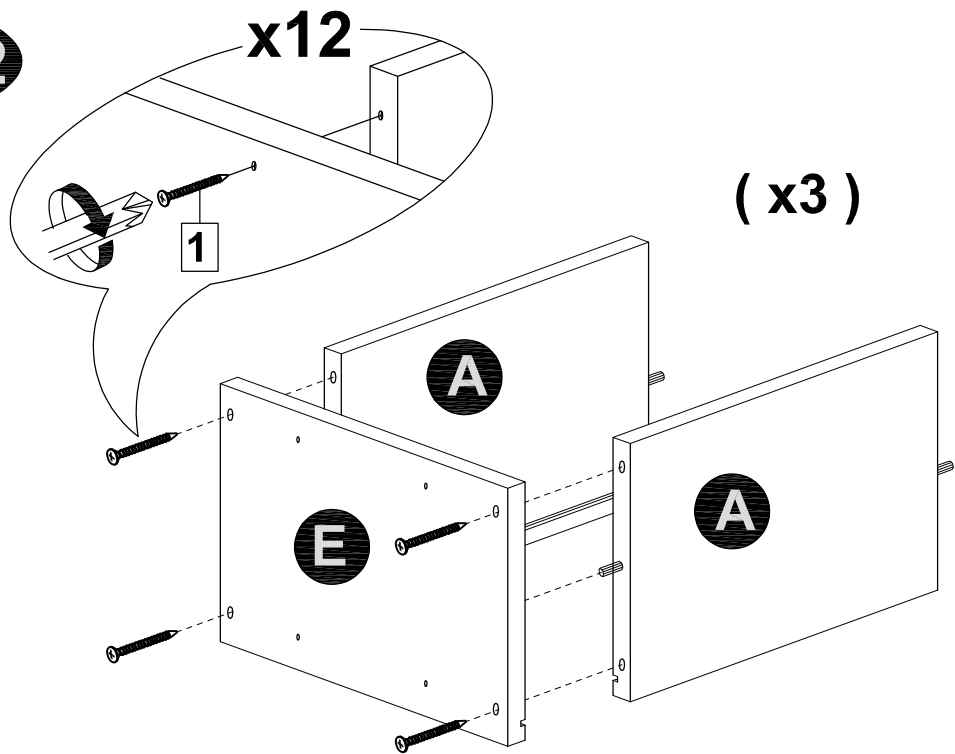


(x1)

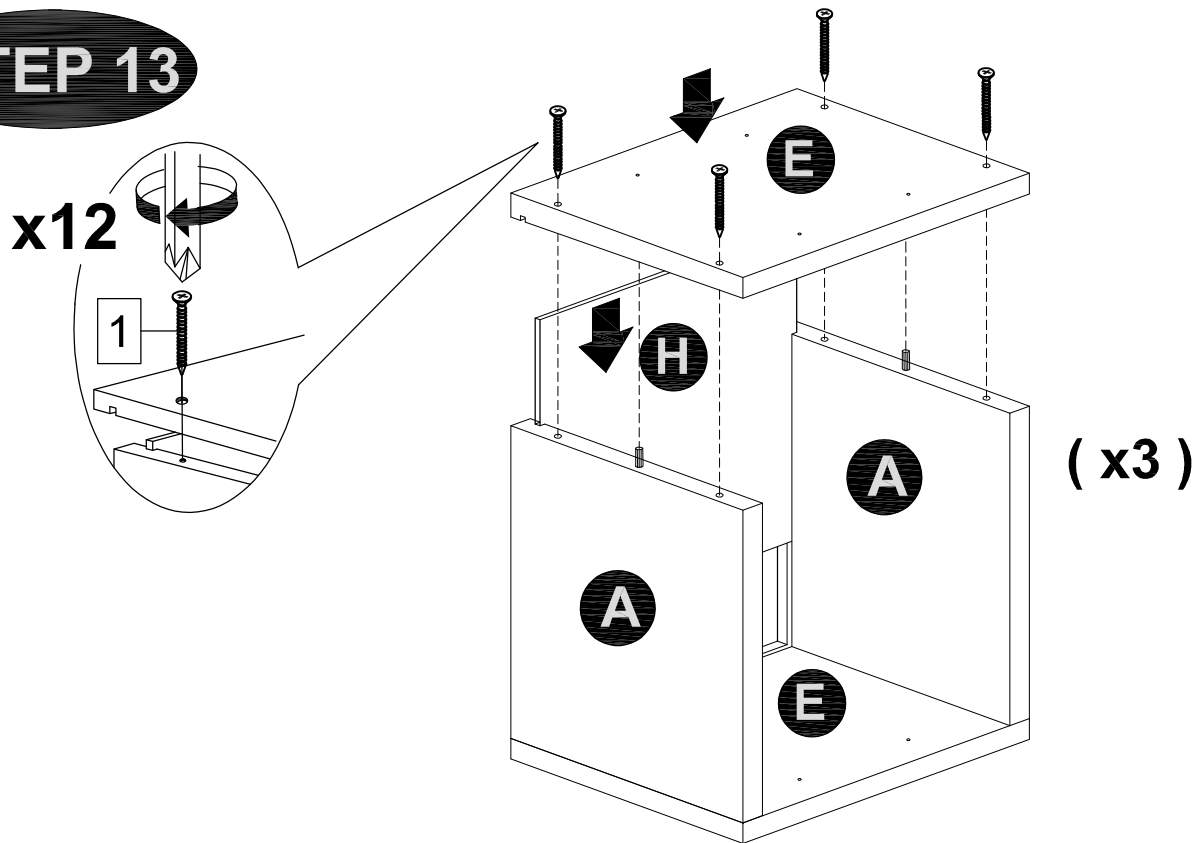


x1

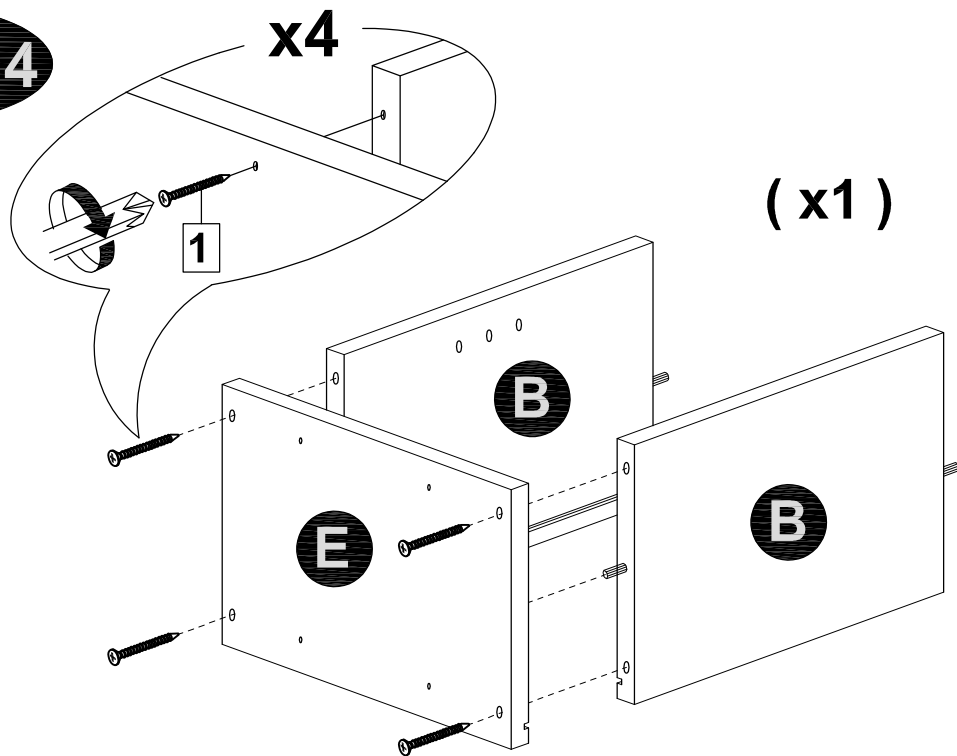
STEP 12



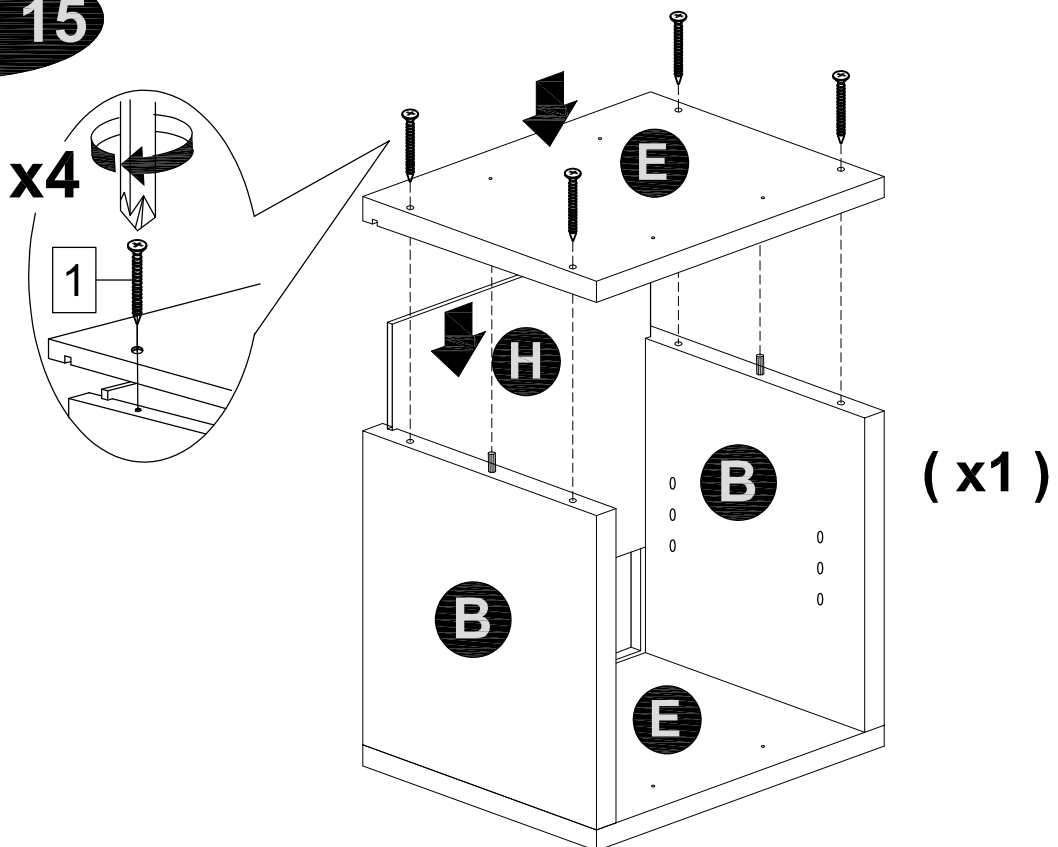
STEP 13



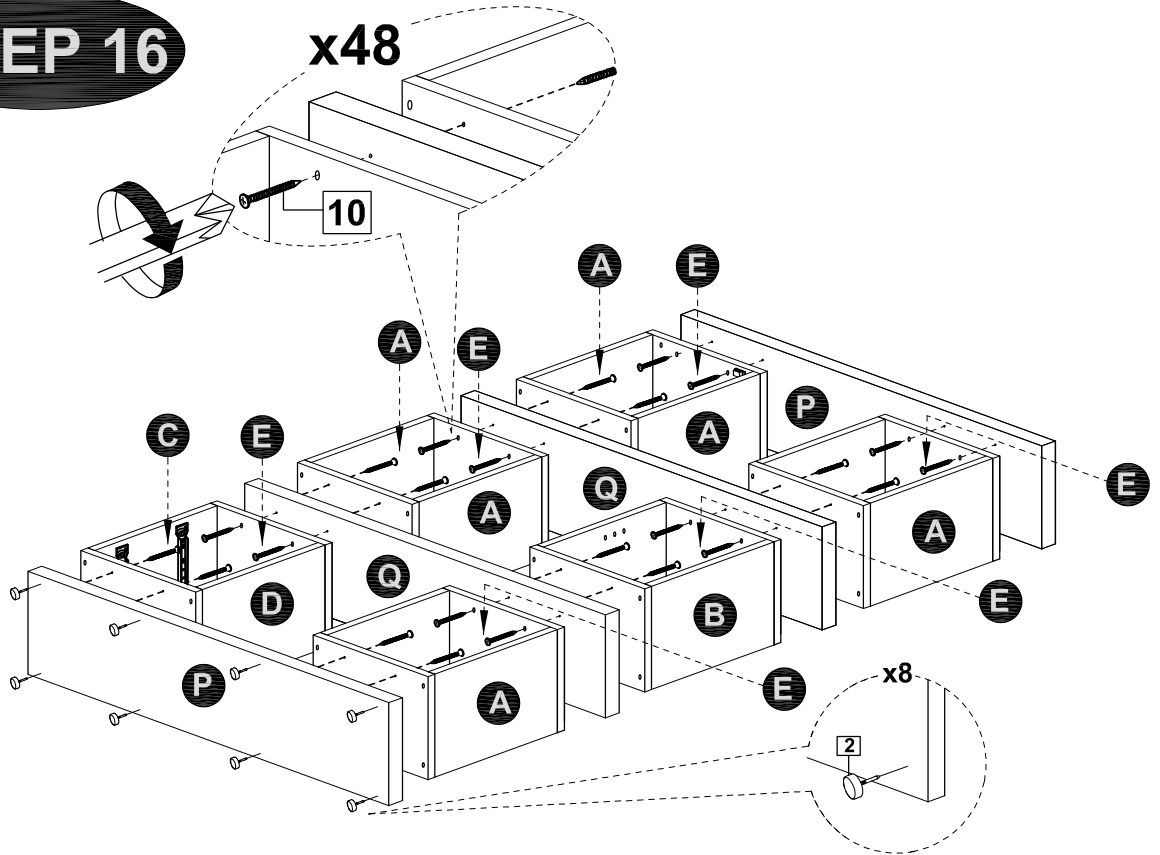
STEP 14



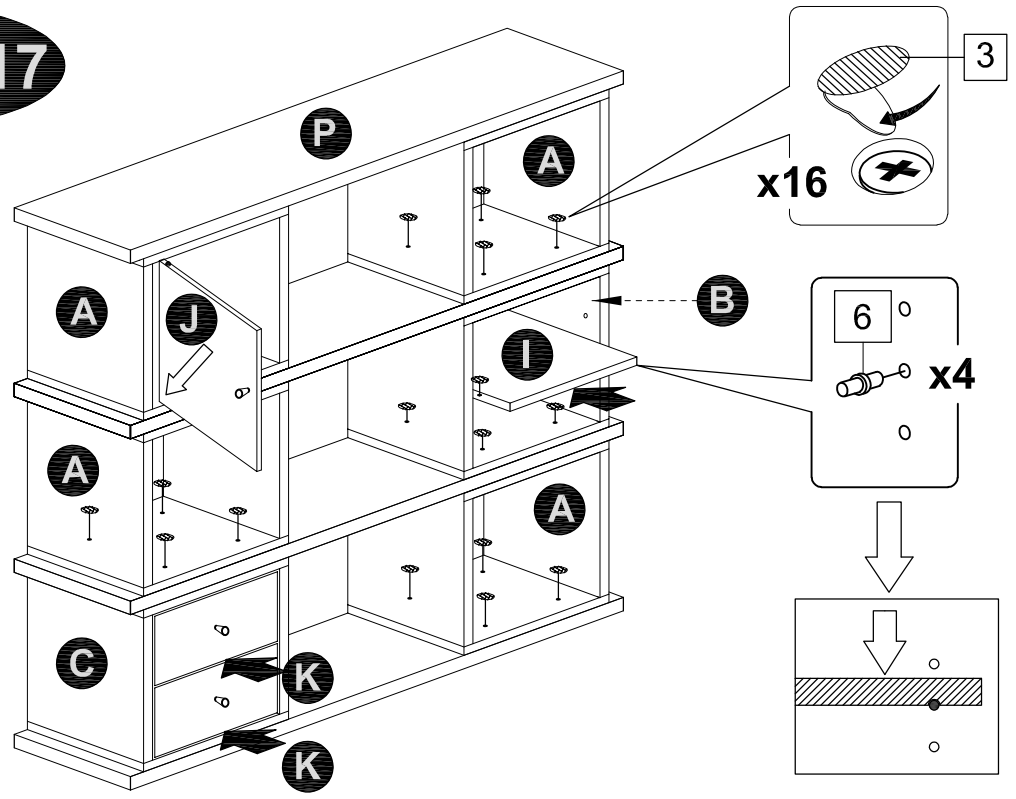
STEP 15



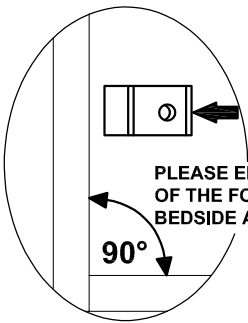
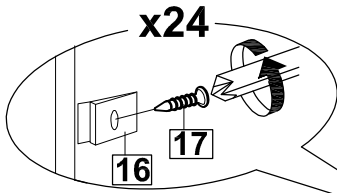
STEP 16



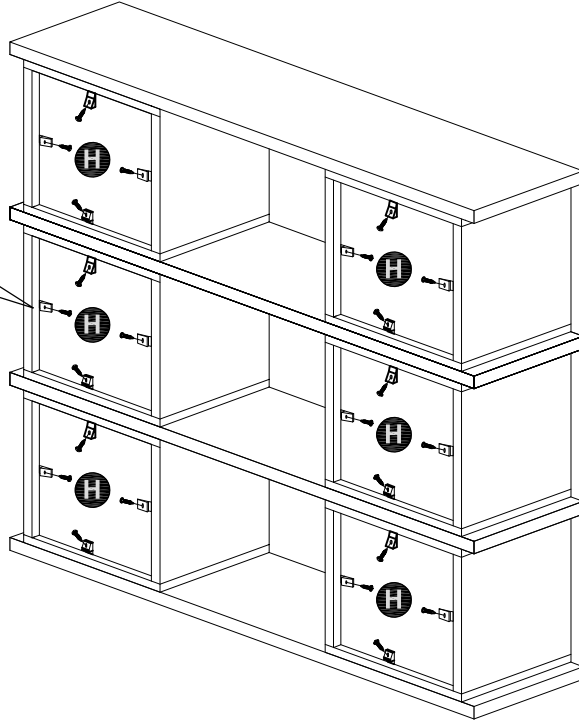
STEP 17



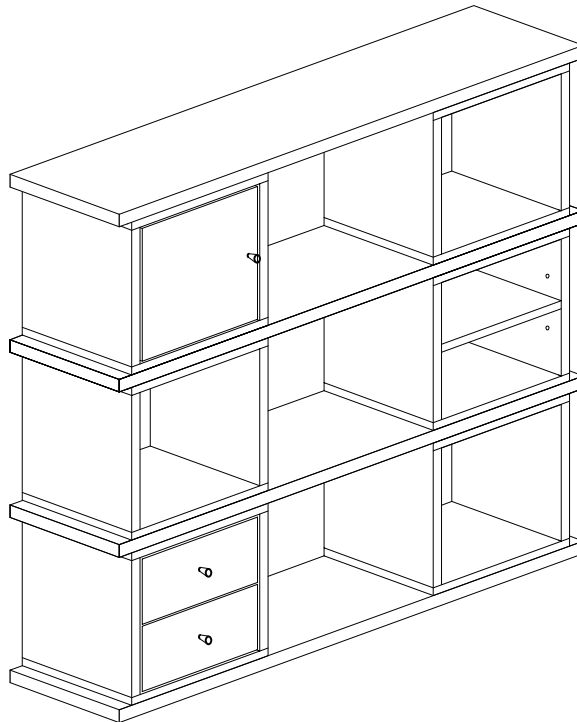
STEP 18



PLEASE ENSURE THAT EACH OF THE FOUR CORNERS OF BEDSIDE ARE SQUARE.



STEP 19



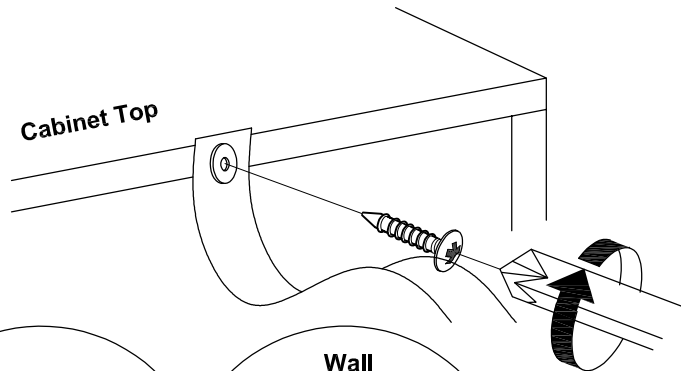
MODEL NAME :

It is recommended that you fit the anti-tip bracket to this item to avoid tipping and causing injury.

FITTING OF ANTI-TIP BRACKET

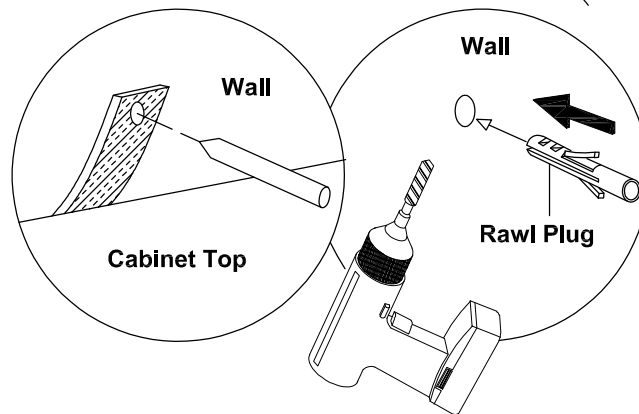
STEP 1 :

Insert screws through bracket into pre-drilled holes in cabinet.



STEP 2 :

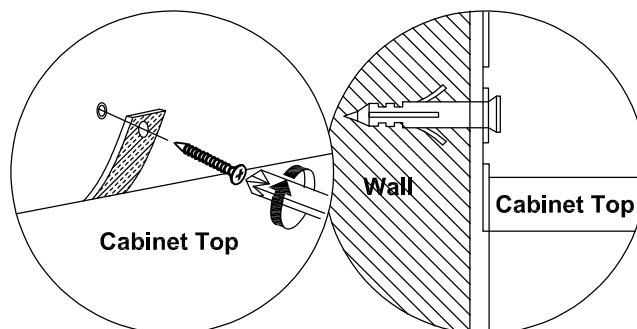
Make a mark on the wall through the bracket.



Drill a hole in the wall and insert the rawl plug.

STEP 3 :

Insert screw through bracket into hole in wall



NOTE : Wall fixings are not supplied with this product as different wall materials require different types of fixing devices (such as Rawl plugs on brick work). You must use fixing devices suitable for the type of wall you intend to mount this product to. Please ensure that the head of any screw used as a diameter greater than the diameter of the mounting hole on the bracket and that the fixing is safe and secure before use.
The screw supplied is to fix the anti-tip strap to the cabinet.

HARDWARE LIST



Anti-Tip Strap - 2pcs



M3.5 x 16MM - 2pcs