

ASSEMBLY INSTRUCTIONS



Fine Furniture for every stage of life

Motion Sofa

ASSEMBLY INSTRUCTIONS

ASSEMBLY TIPS:

1. Remove hardware from box and sort by size.
2. Please check to see that all hardware and parts are present prior to start of assembly.
3. Please follow attached instructions in the same sequence as numbered to assure fast & easy assembly.



WARNING!







1. Don't attempt to repair or modify parts that are broken or defective. Please contact the store immediately.
2. This product is for home use only and not intended for commercial establishments.



ASSEMBLY TIME

5 MINUTES

PARTS IDENTIFICATION

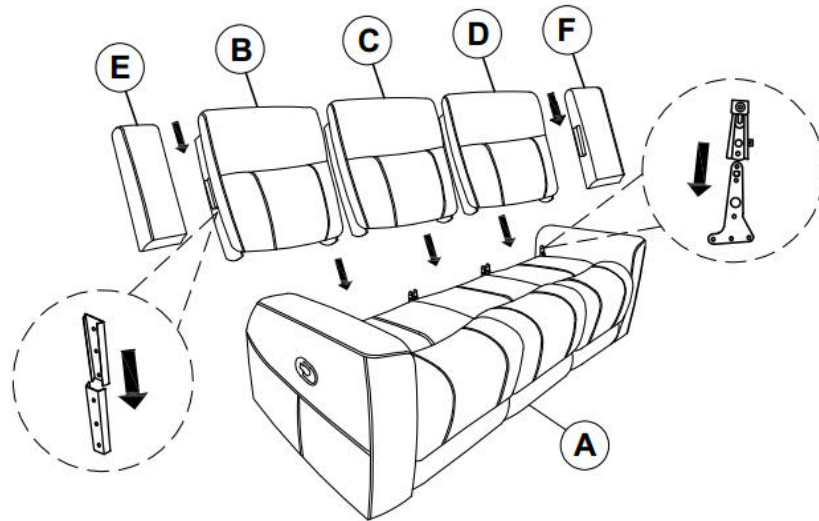
A	SEAT		1PC
B	LEFT BACK		1PC
C	MIDDLE BACK		1PC
D	RIGHT BACK		1PC
E	LEFT EAR		1PC
F	RIGHT EAR		1PC

NOTE :

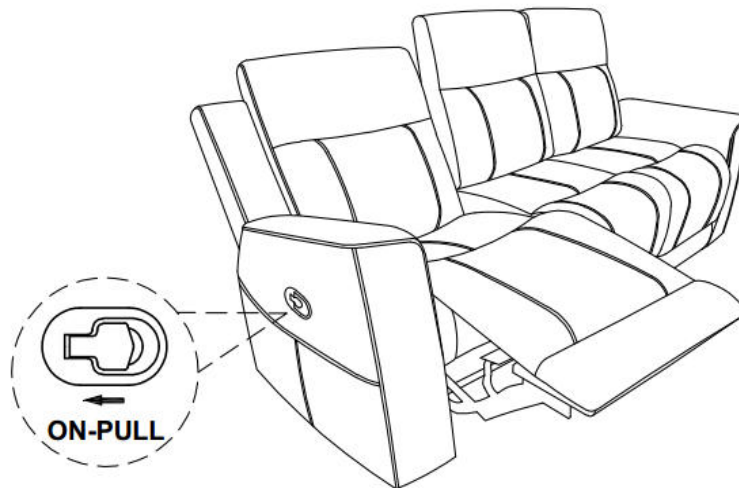
Phillips head screw driver is required in the assembly process ; However, manufacturer not provide this item.

ASSEMBLY INSTRUCTIONS

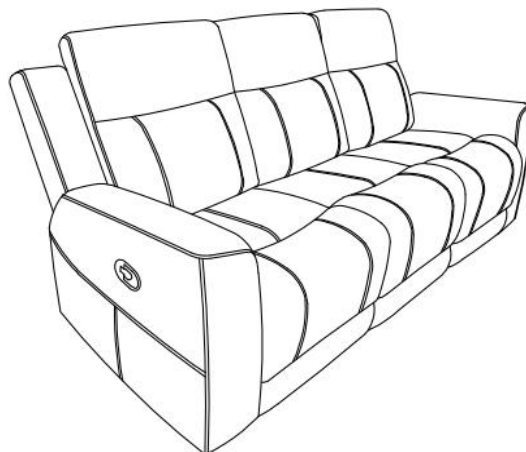
STEP 1

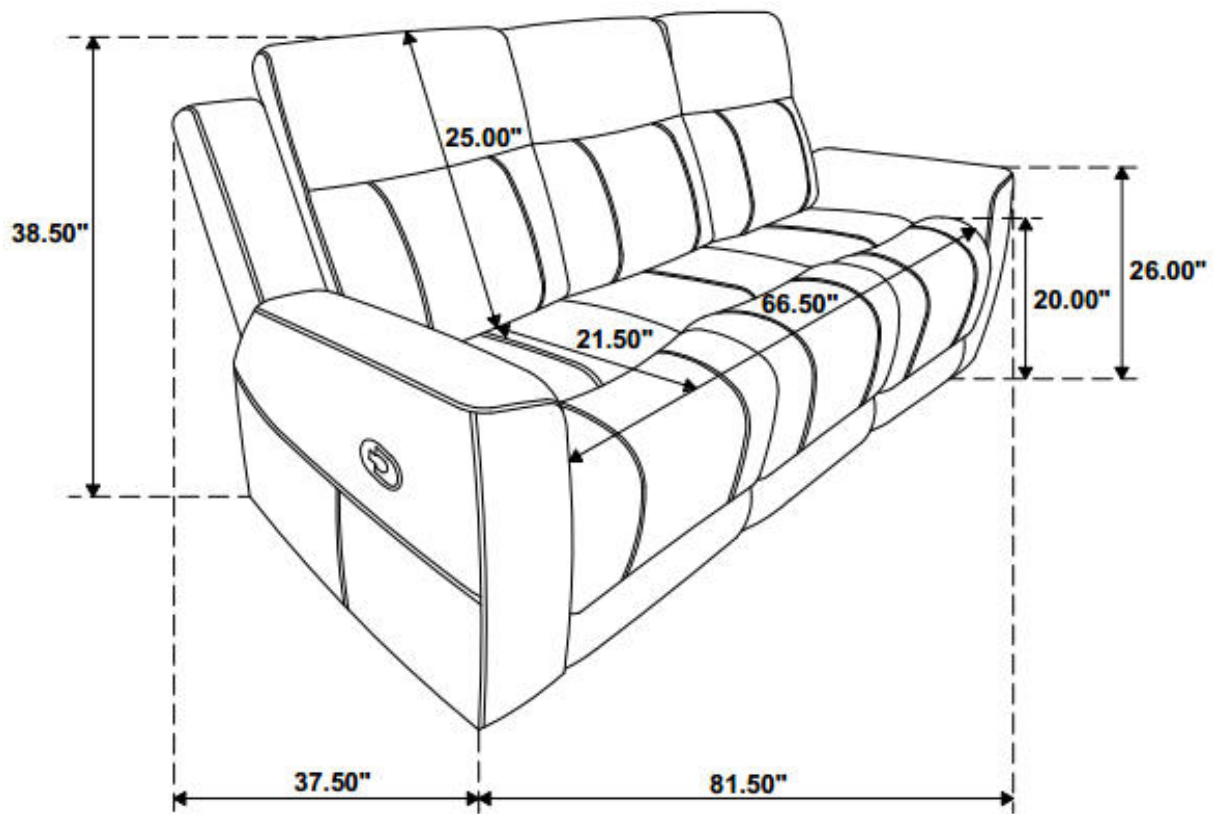


STEP 2



STEP 3 **COMPLETE**





Note: Dimension tolerance $\pm 5\%$

ASSEMBLY INSTRUCTIONS



Fine Furniture for every stage of life

Motion Loveseat

ASSEMBLY INSTRUCTIONS

ASSEMBLY TIPS:

1. Remove hardware from box and sort by size.
2. Please check to see that all hardware and parts are present prior to start of assembly.
3. Please follow attached instructions in the same sequence as numbered to assure fast & easy assembly.



WARNING!



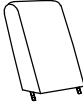



1. Don't attempt to repair or modify parts that are broken or defective. Please contact the store immediately.
2. This product is for home use only and not intended for commercial establishments.



ASSEMBLY TIME

5 MINUTES

PARTS IDENTIFICATION

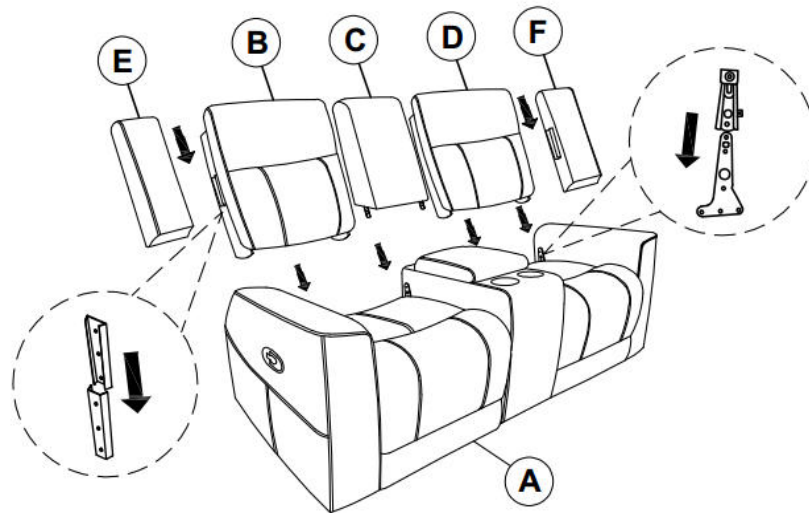
A	SEAT		1PC
B	LEFT BACK		1PC
C	CONSOLE BACK		1PC
D	RIGHT BACK		1PC
E	LEFT EAR		1PC
F	RIGHT EAR		1PC

NOTE :

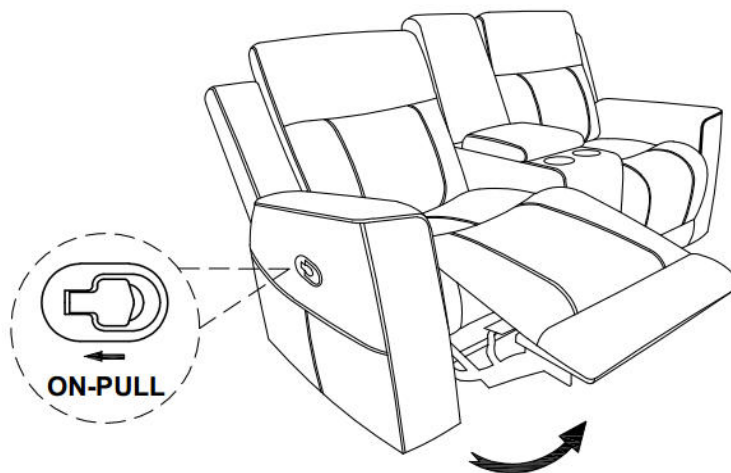
Phillips head screw driver is required in the assembly process ; However, manufacturer not provide this item.

ASSEMBLY INSTRUCTIONS

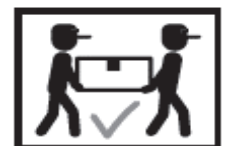
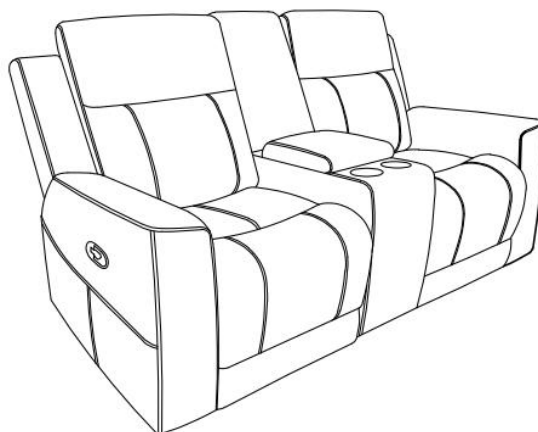
STEP 1

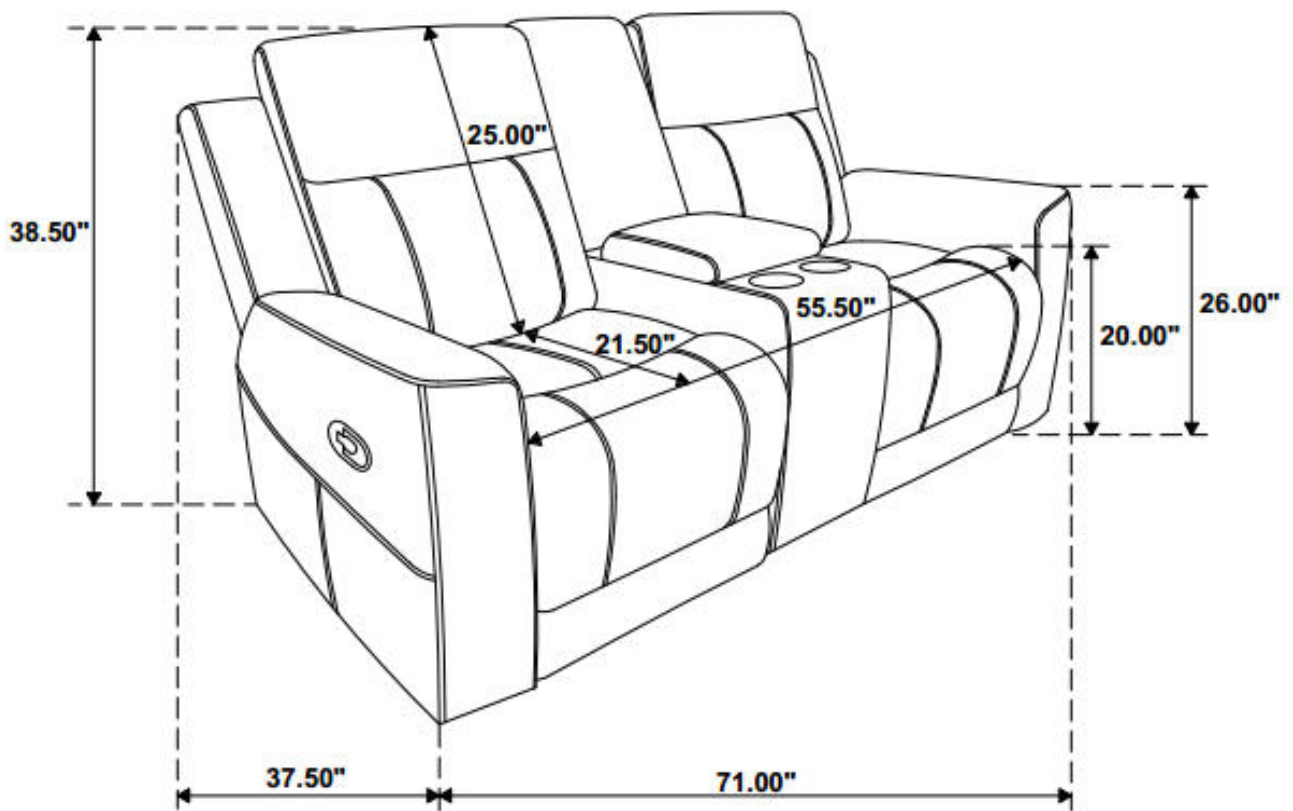


STEP 2



STEP 3 **COMPLETE**





Note: Dimension tolerance $\pm 5\%$