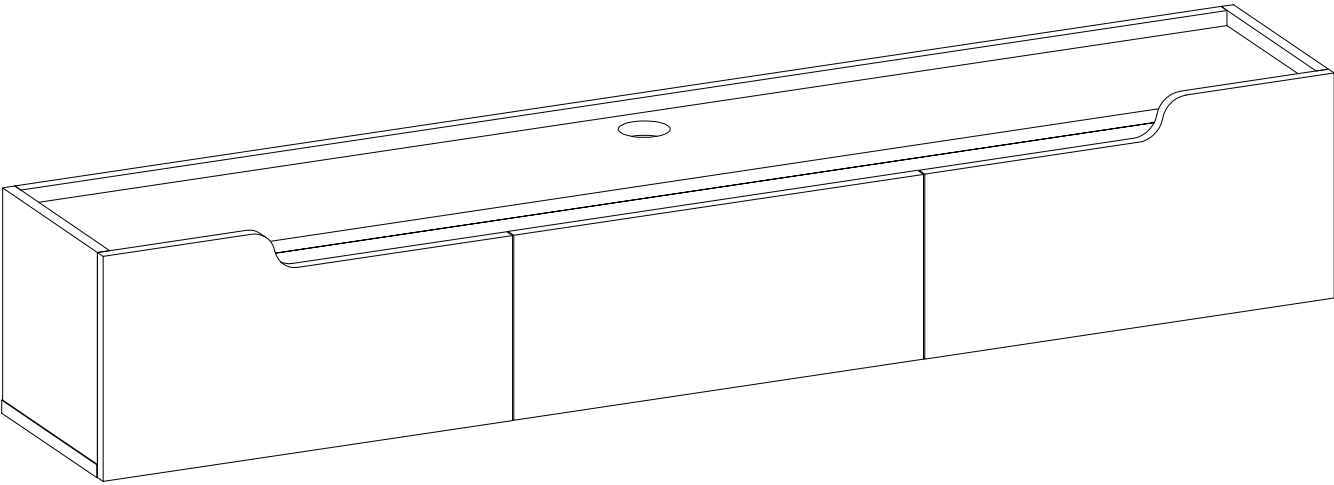


Installation & Assembly



Dear Valued Customer,

Before embarking on the assembly journey of our meticulously designed furniture piece, we extend a friendly caution to those who might find themselves navigating the assembly instructions like uncharted waters. Consider this your assembly roadmap, but remember, not all who venture forth heed the warnings.

Mind the Details: In the intricate dance of screws, bolts, and mysterious components, attention to detail is your compass. Failure to acknowledge the subtleties may lead to a misstep in the assembly waltz.

Avoid Solo Sailing: While solo adventures are admirable, assembling our furniture is a team sport. Rally your crew, or at least one reliable sidekick, to ensure a smoother voyage. Two sets of eyes are better than one, especially when deciphering assembly hieroglyphics.

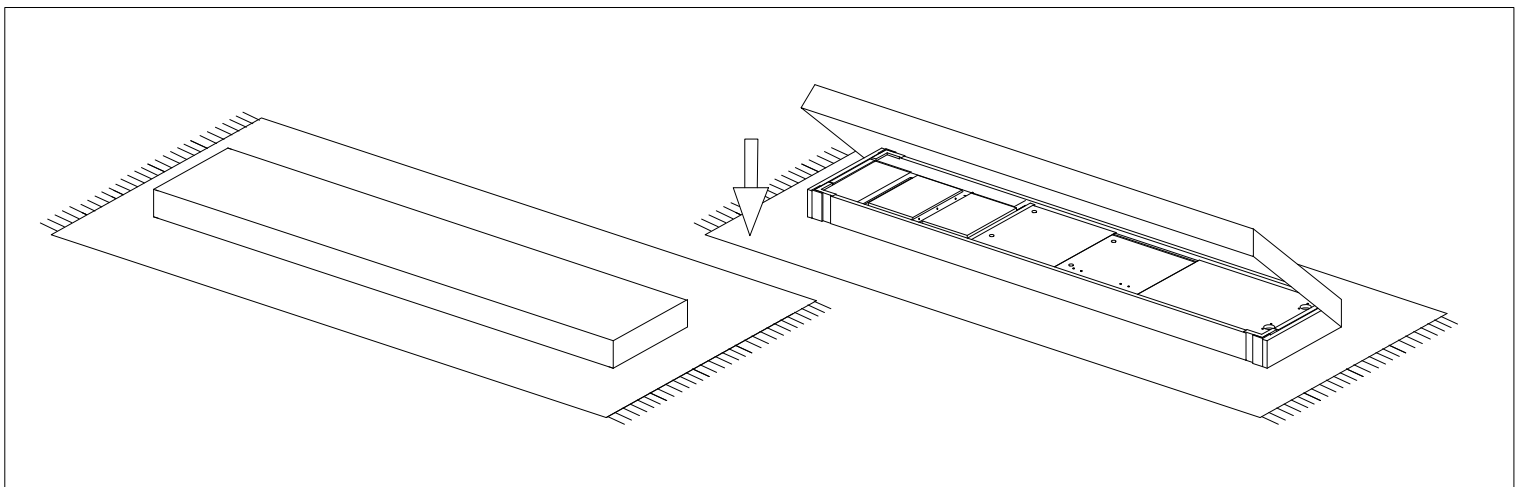
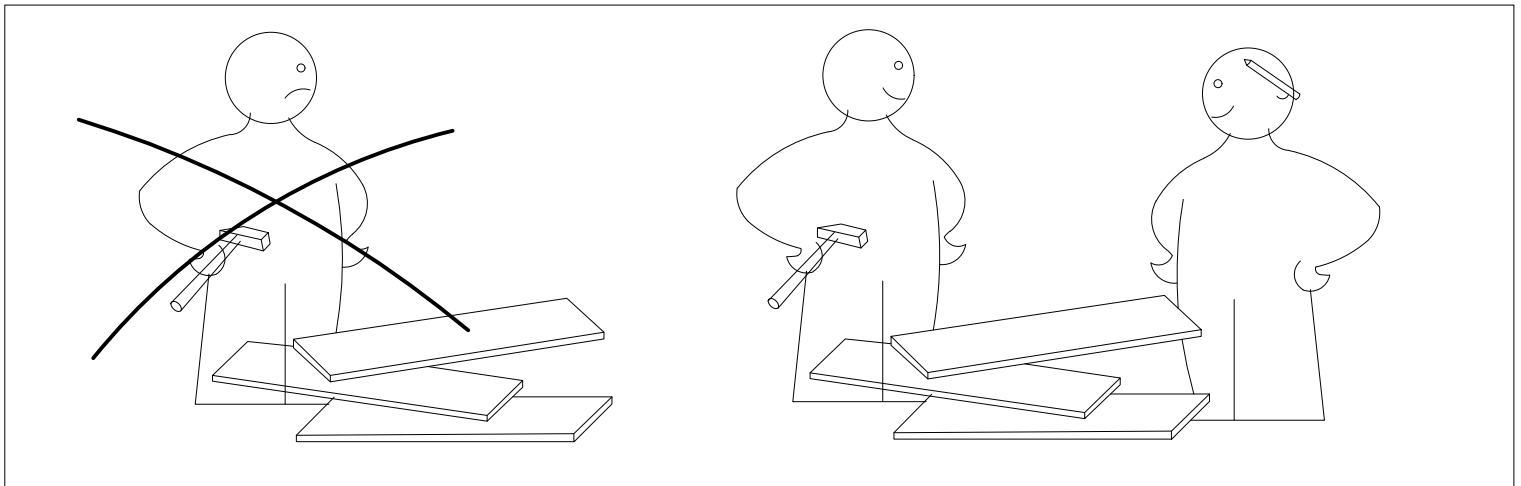
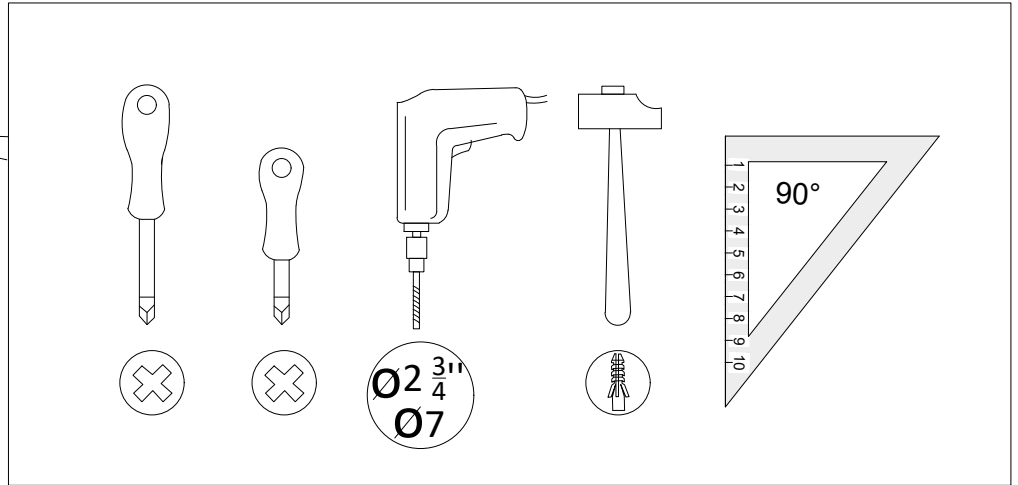
Tools are Your Allies: The toolkit provided isn't just for show. Each tool is a trusty sidekick in your quest for furniture glory. Disregarding their importance may result in frustration and a potential detour to the hardware store.

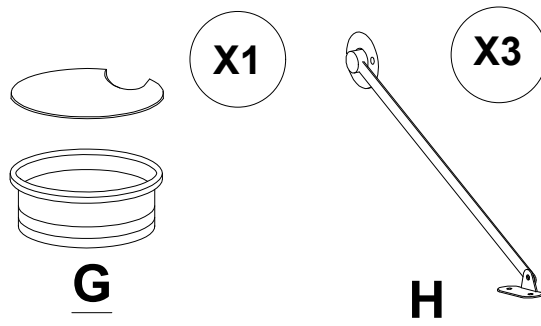
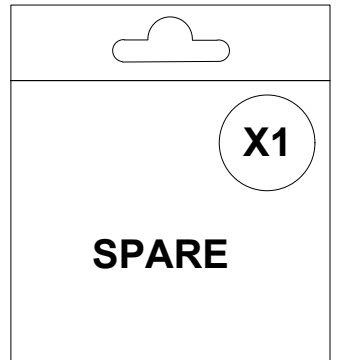
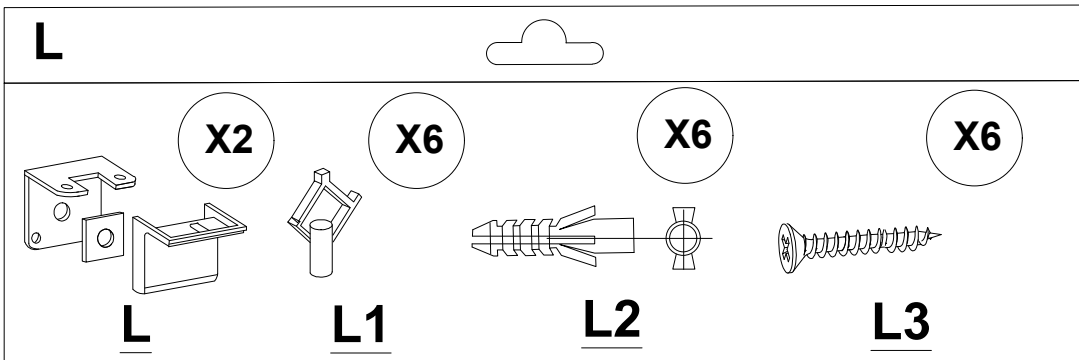
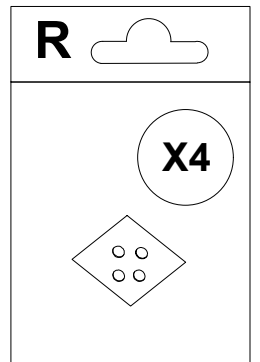
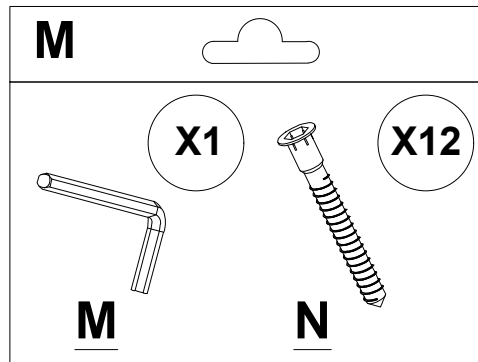
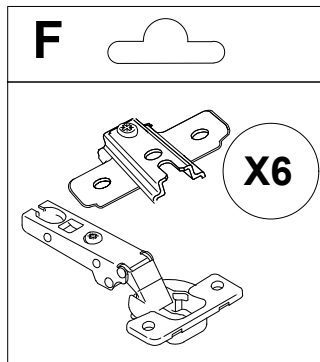
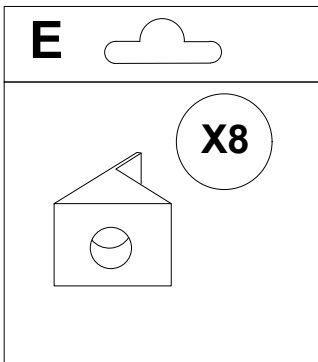
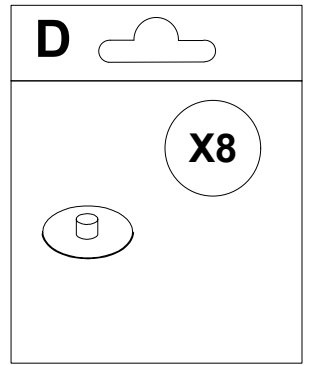
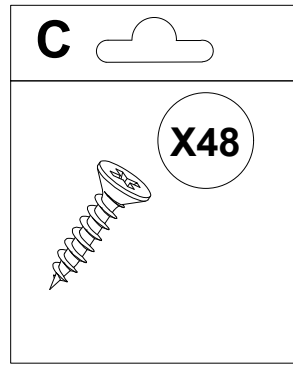
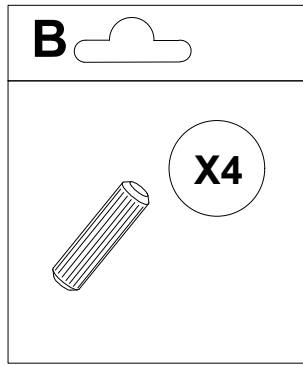
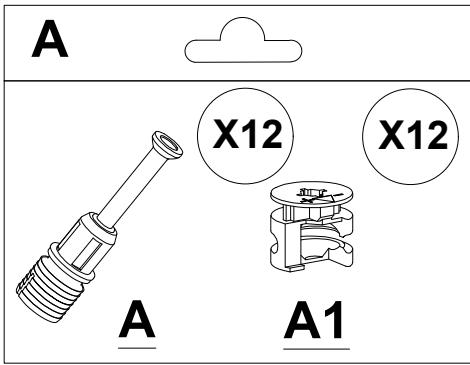
The Manual is Your Map: The assembly manual is not just a paperweight. It's your treasure map to furniture utopia. Ignoring its guidance may result in the dreaded disassembly-reassembly loop, a journey no one wants to embark upon.

Remember, brave assembler, you hold the power to turn a pile of parts into a functional masterpiece. With great power comes great responsibility. May your assembly journey be smooth, your Allen wrench swift, and your furniture stand tall and proud.

Happy assembling!

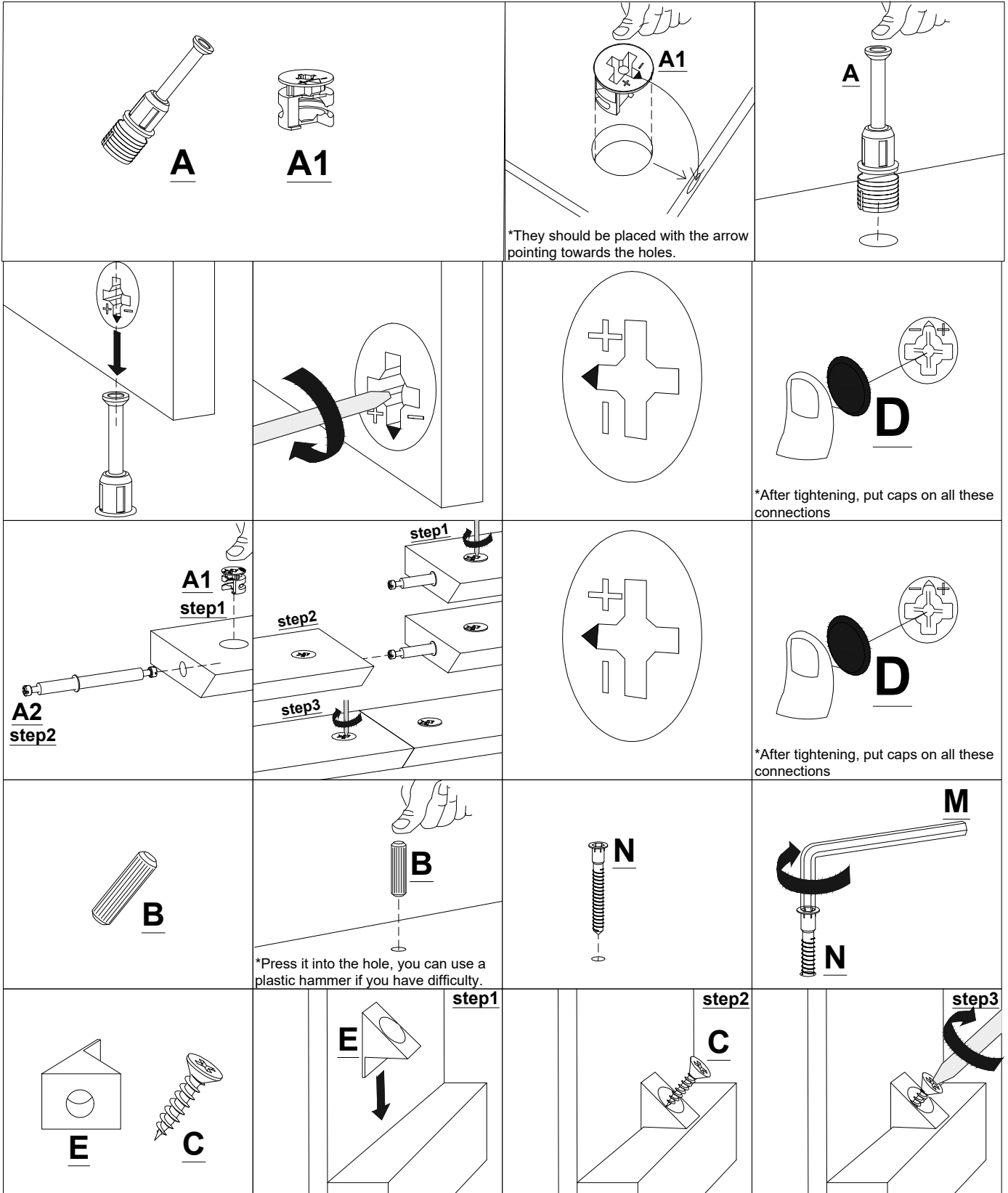
Use the drill only to secure the product to the wall.



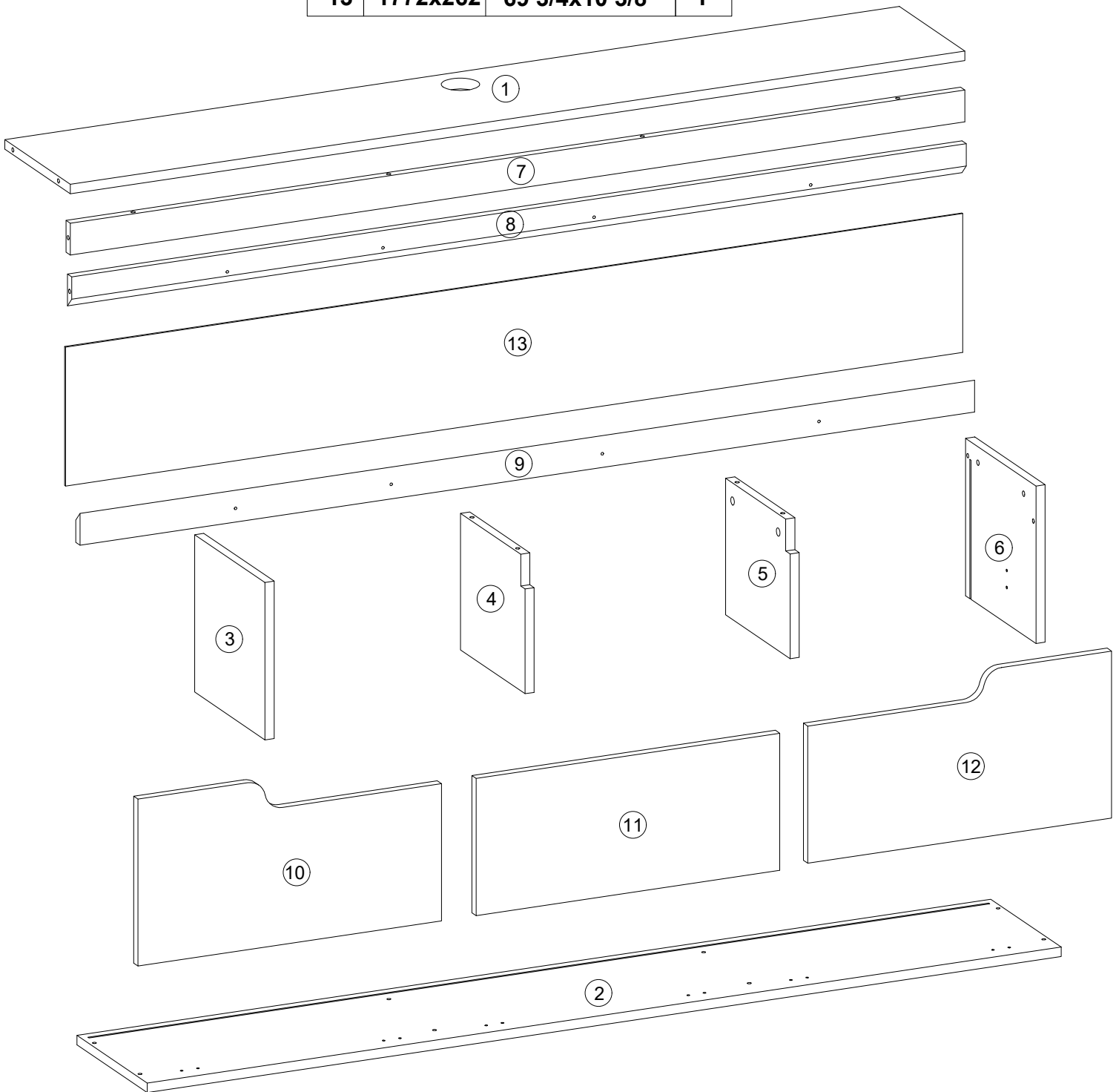


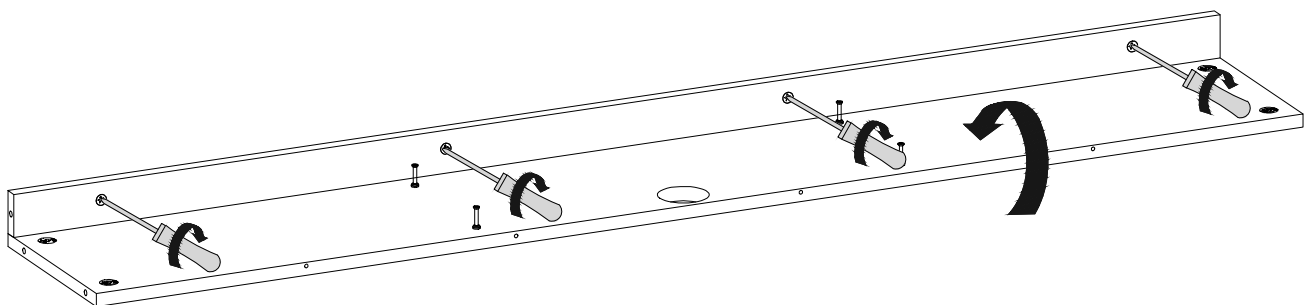
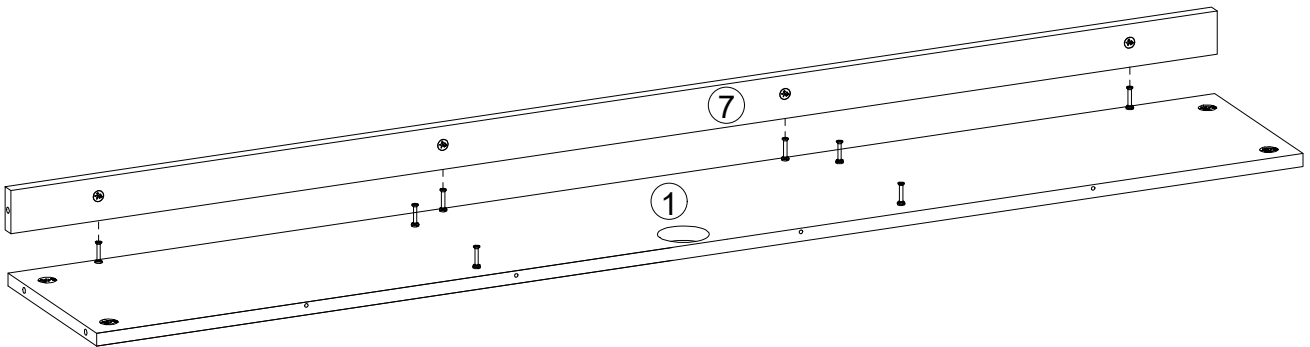
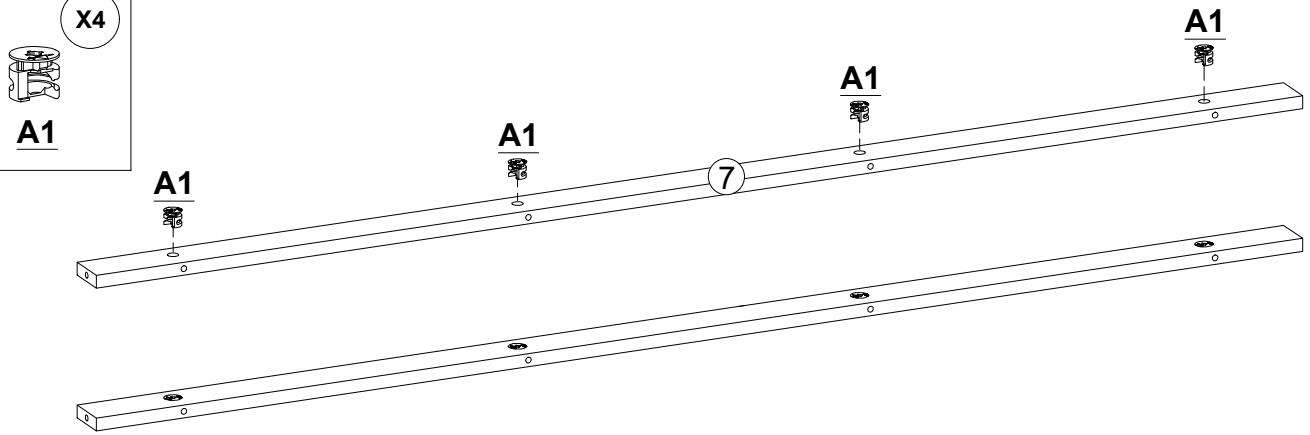
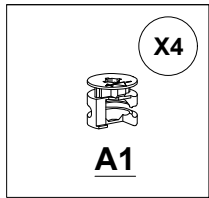
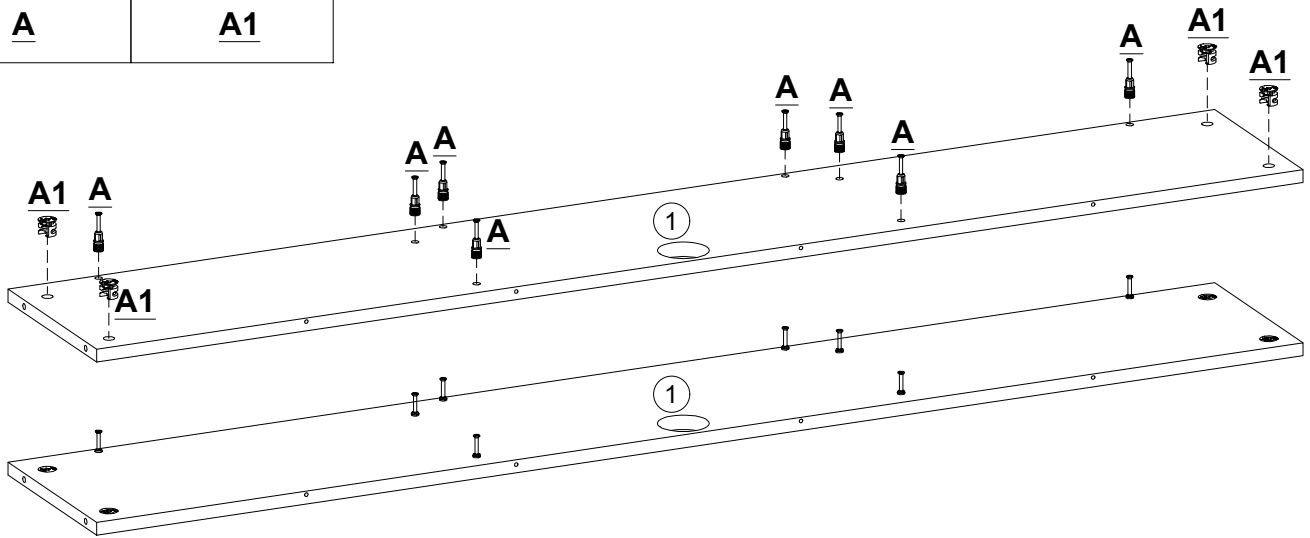
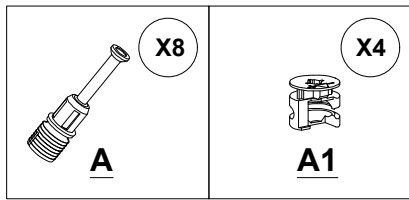
Details on the use of accessories

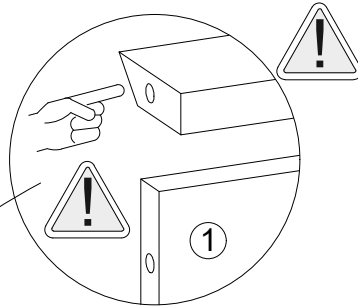
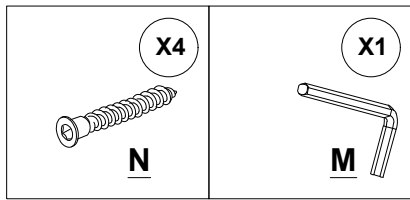
*When setting up your furniture, you can follow the placement of accessories here.



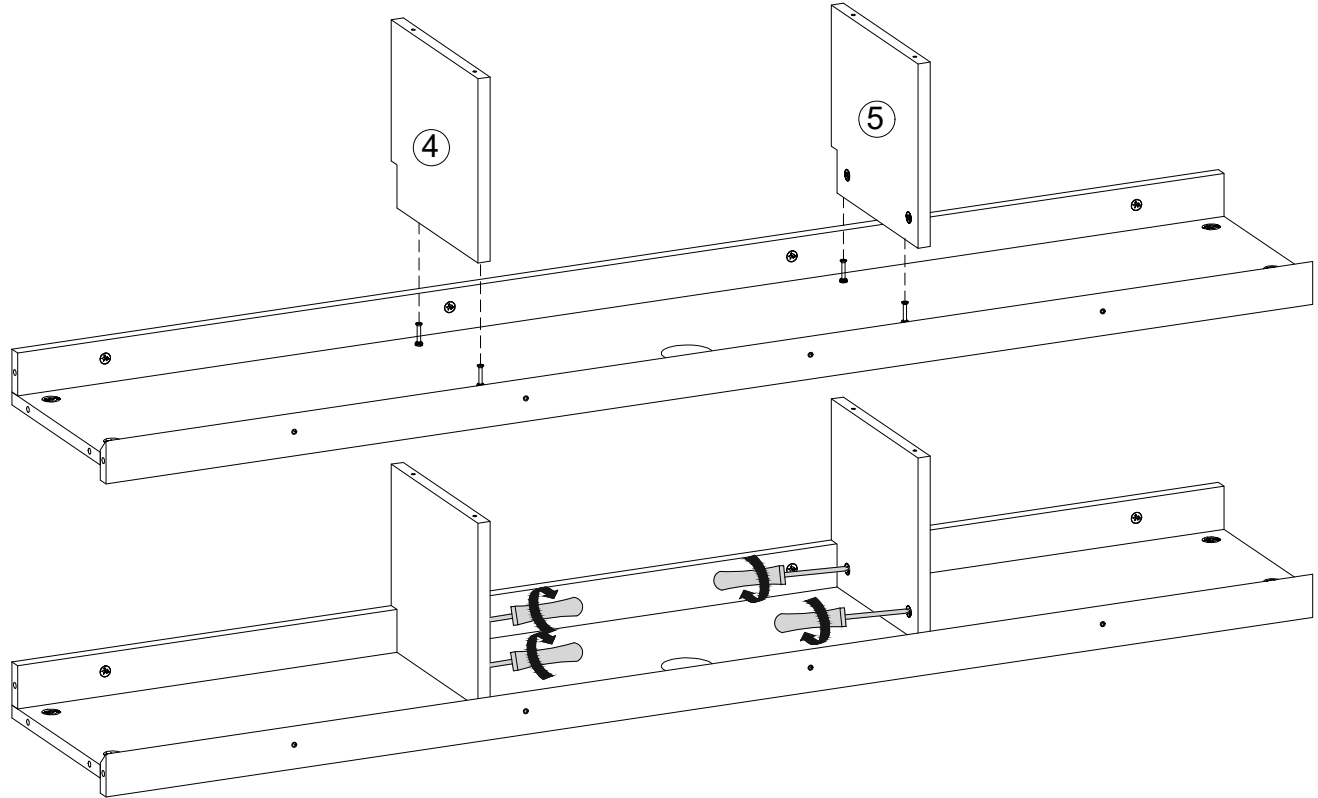
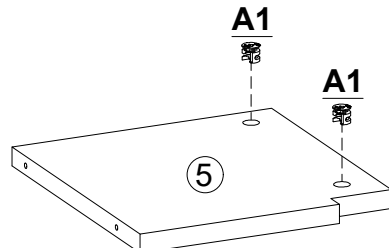
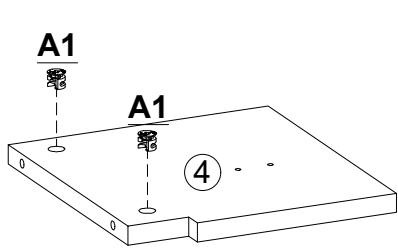
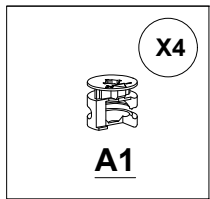
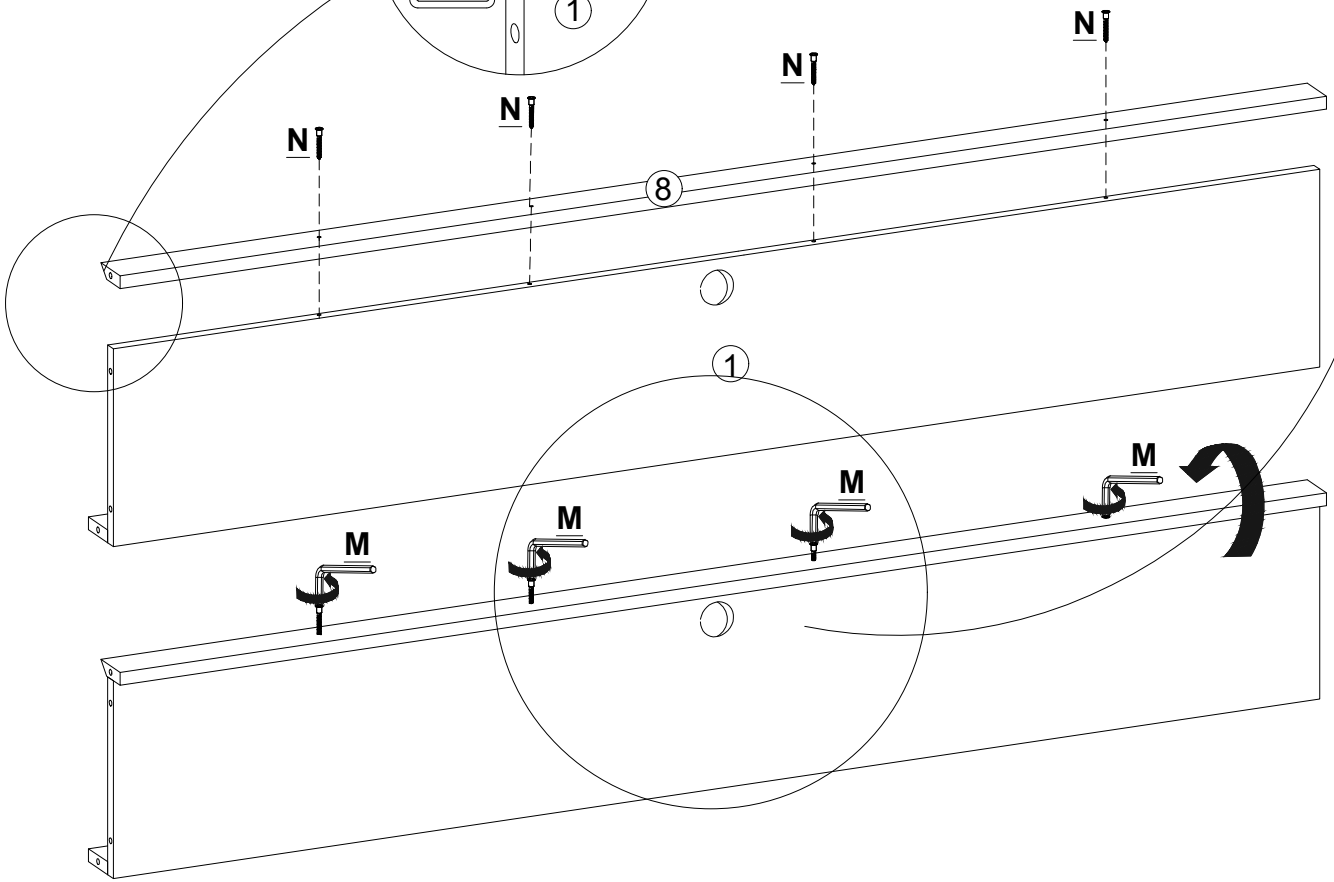
No	a*b(mm)	a*b(inches)	Pcs
1	1762x276	69 3/8x10 7/8	1
2	1800x296	70 7/8x11 5/8	1
3	296x296	11 5/8x11 5/8	1
4	257x269	10 1/8x10 5/8	1
5	257x269	10 1/8x10 5/8	1
6	296x296	11 5/8x11 5/8	1
7	1772x262	36 3/4x10 3/8	1
8	1762x60	69 3/8x2 3/8	1
9	1700x60	66 7/8x2 3/8	1
10	598x312	23 1/2x12 1/4	1
11	598x253	23 1/2x10	1
12	598x312	23 1/2x12 1/4	1
13	1772x262	69 3/4x10 3/8	1

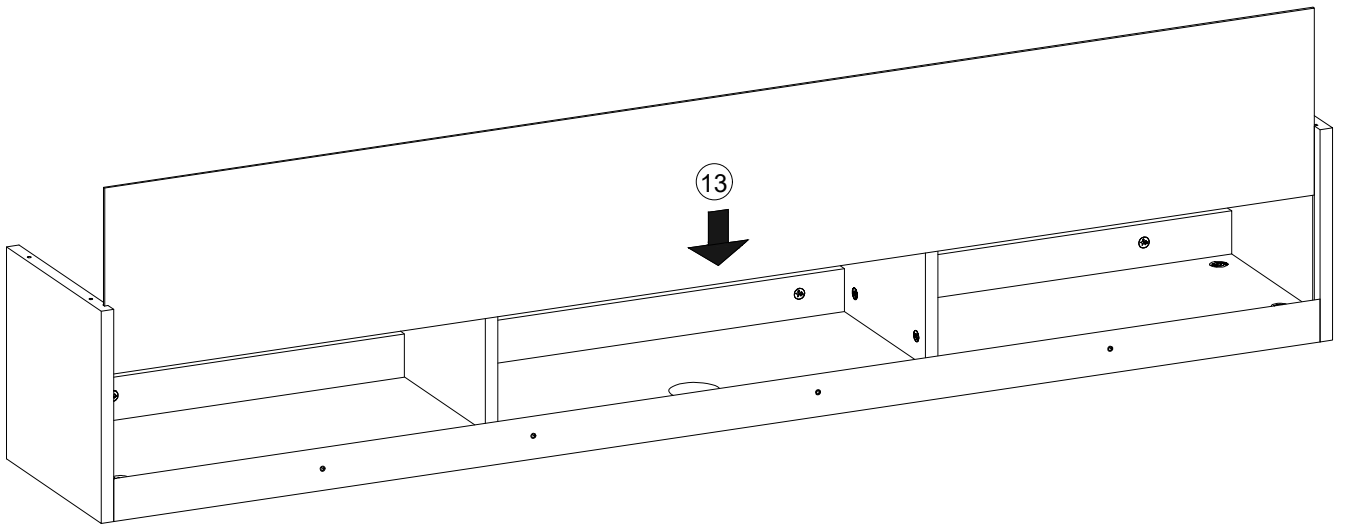
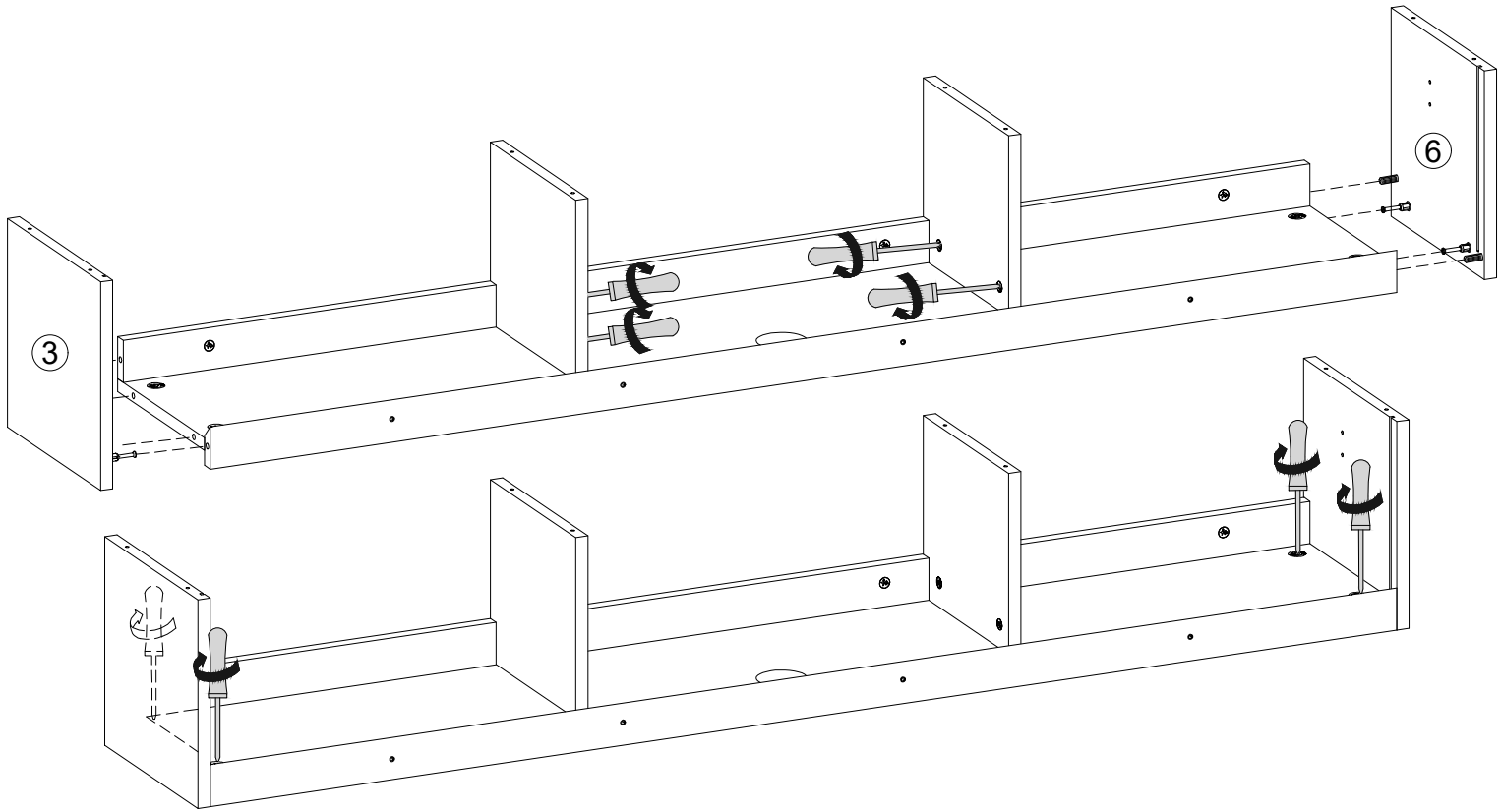
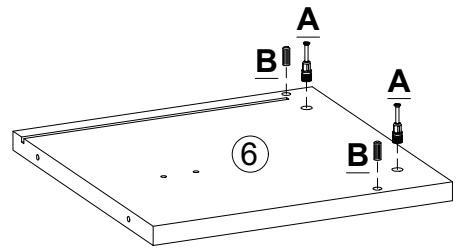
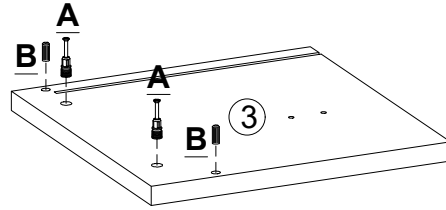
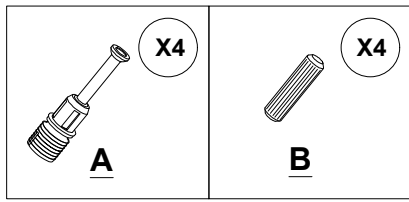


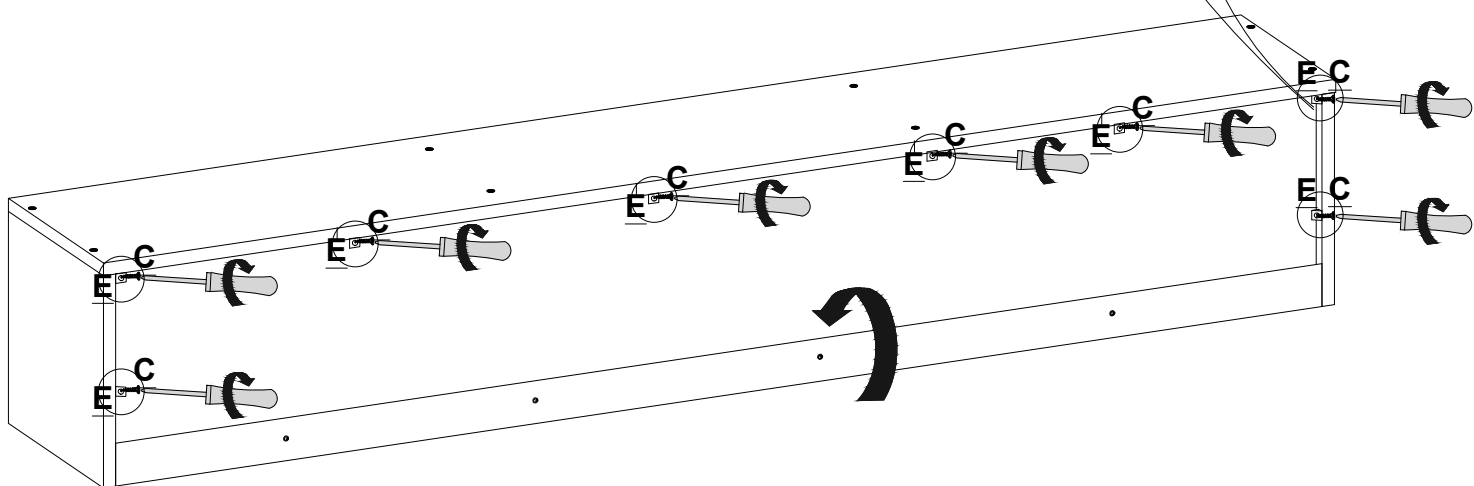
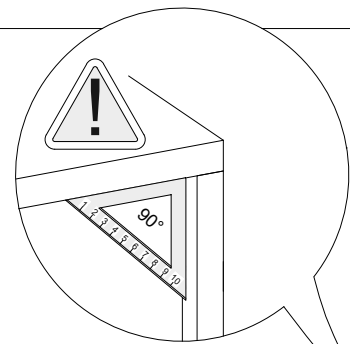
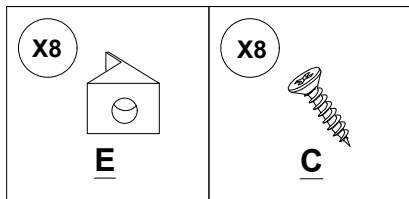
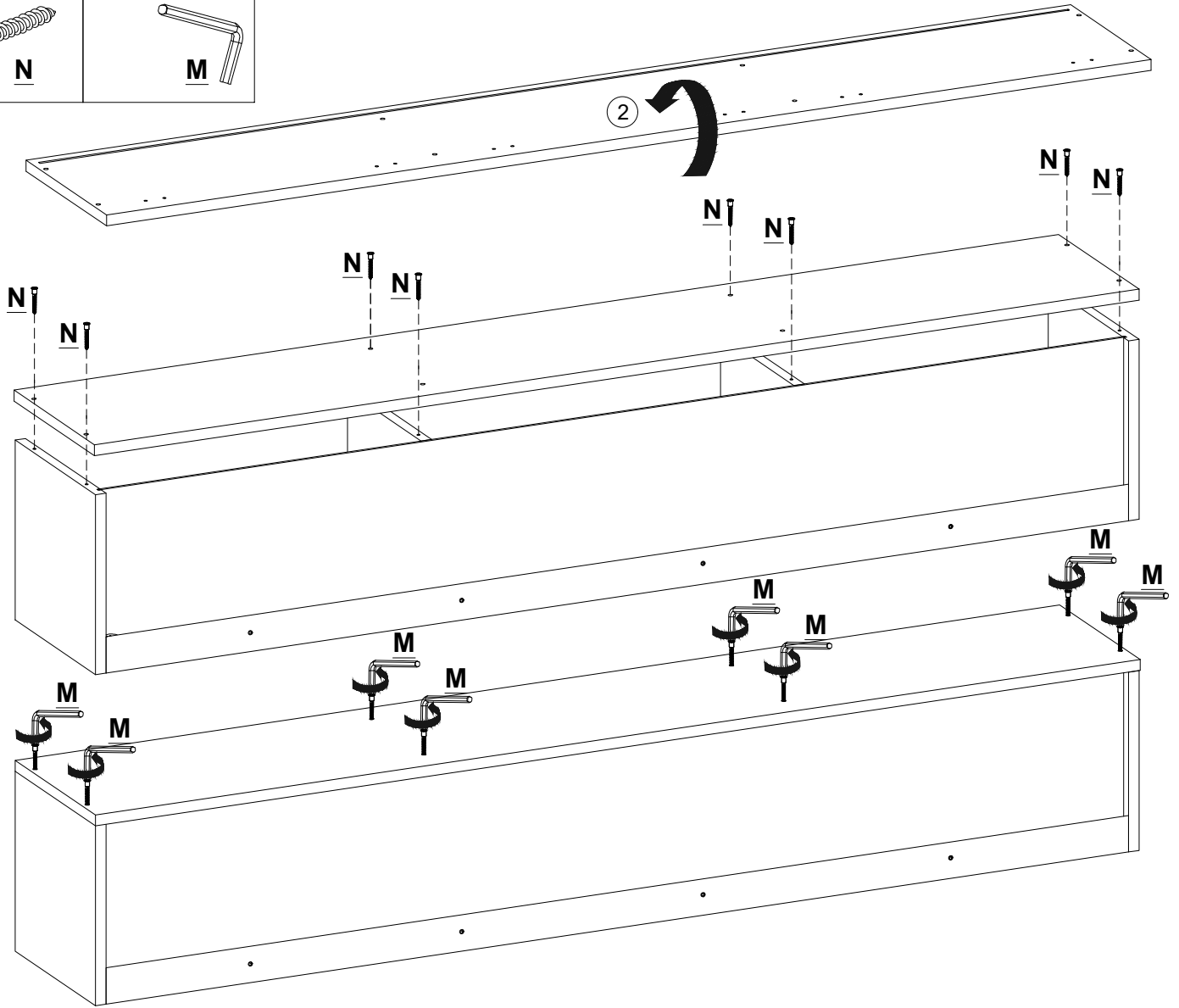
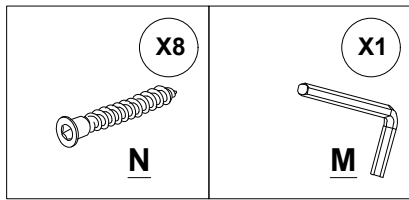


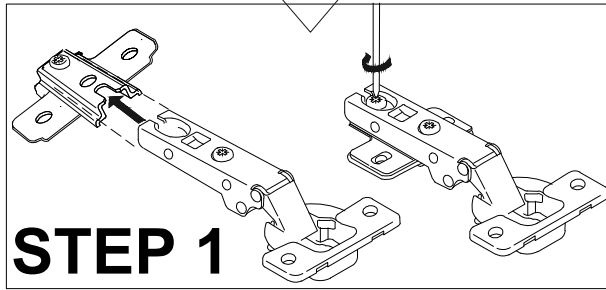
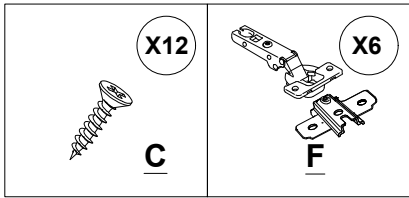


***To prevent wood flexing, first align and tighten the two center holes, then tighten the two outer holes.**

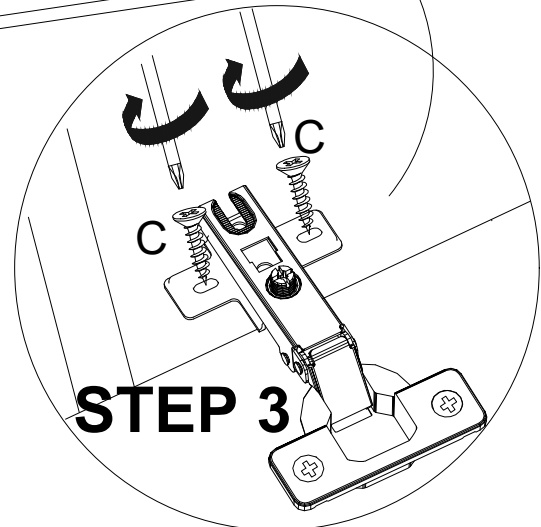
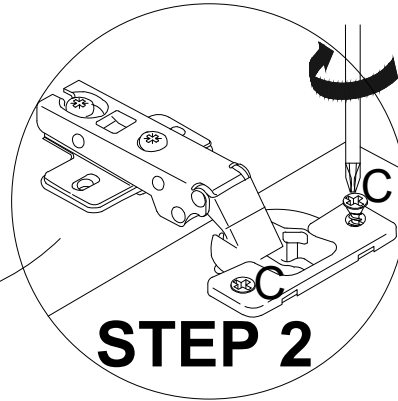
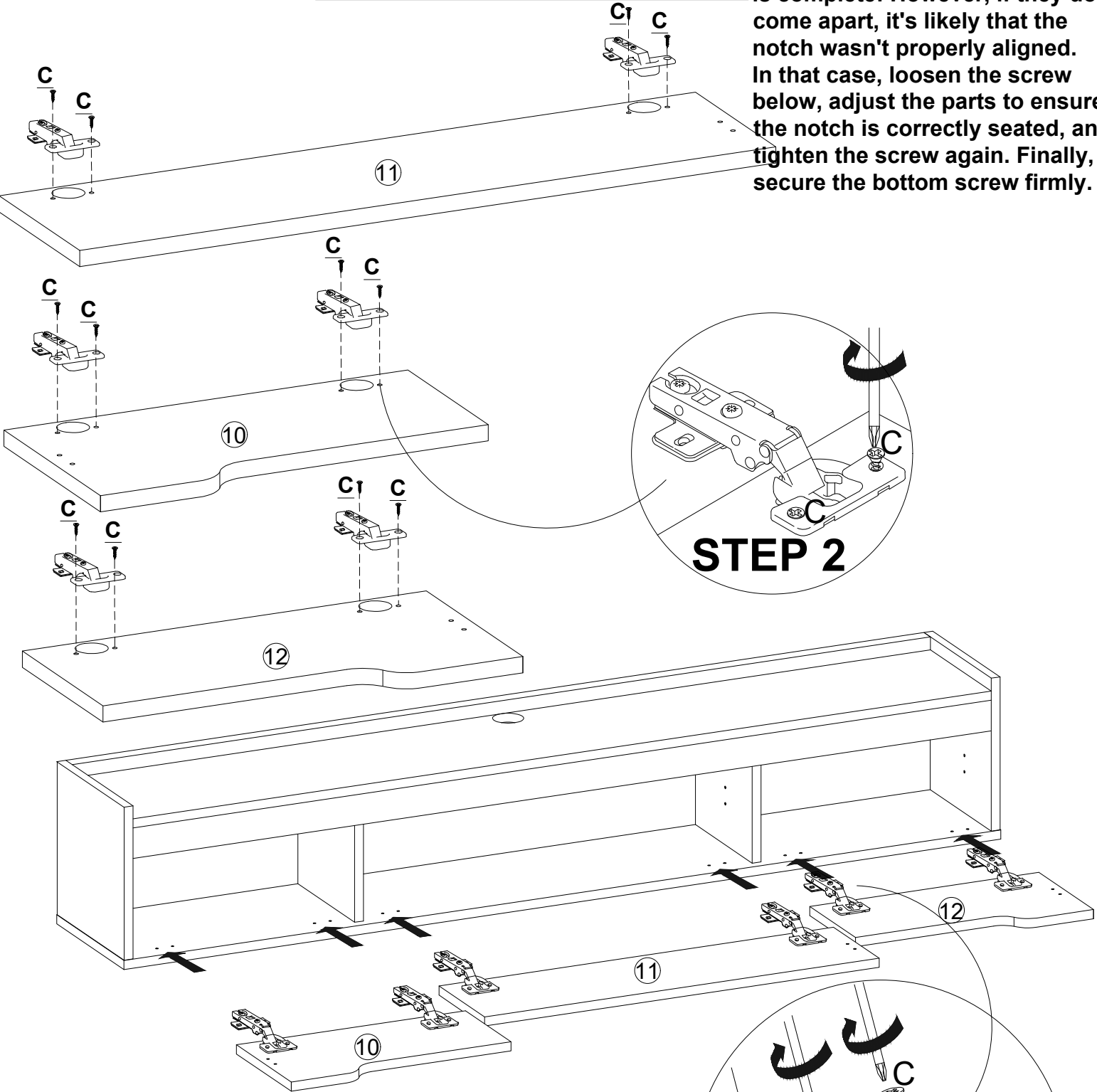


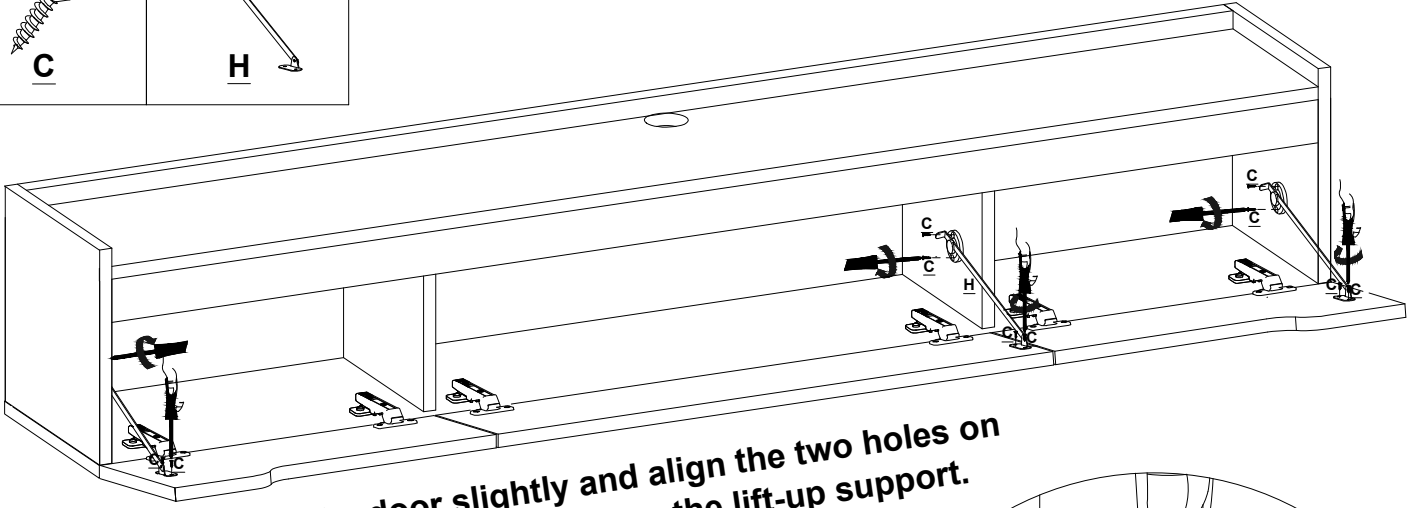
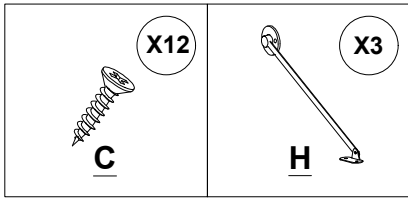




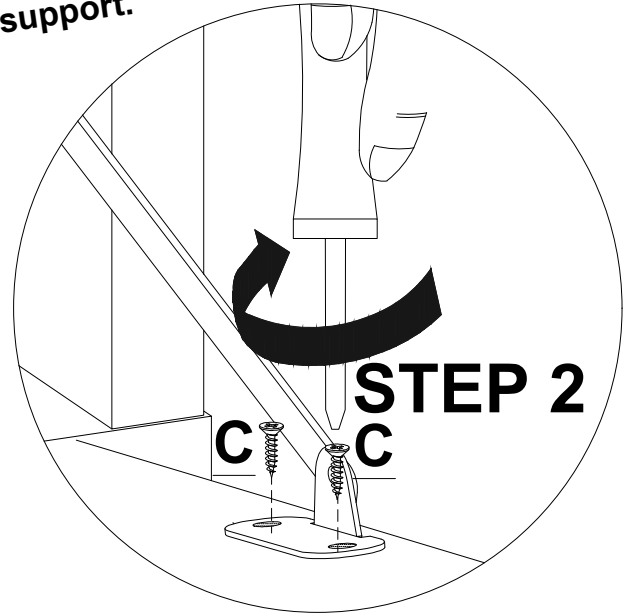
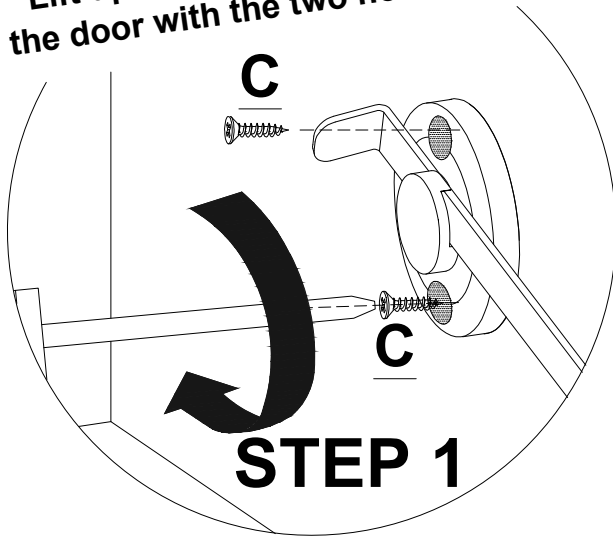


*As shown in the image, align these two parts so they fit snugly into the notch below. Make sure they are properly seated, then tighten the screw. Afterward, gently pull the pieces to check. If they don't separate, the process is complete! However, if they do come apart, it's likely that the notch wasn't properly aligned. In that case, loosen the screw below, adjust the parts to ensure the notch is correctly seated, and tighten the screw again. Finally, secure the bottom screw firmly.



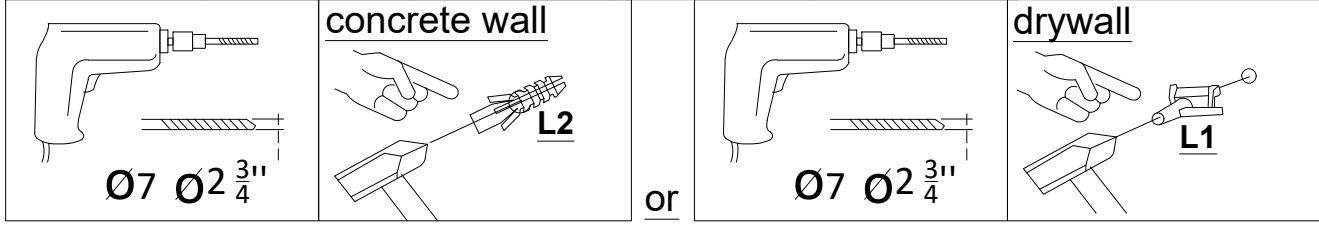
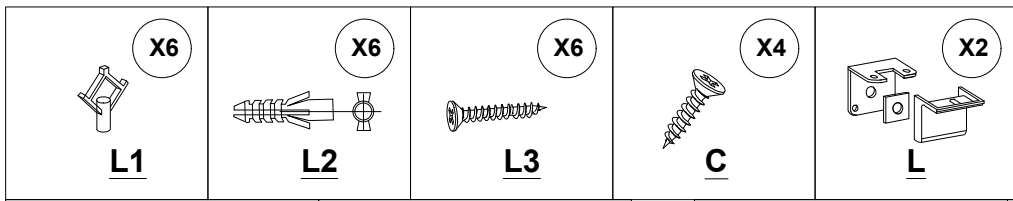


* Lift up the door slightly and align the two holes on the door with the two holes on the lift-up support.

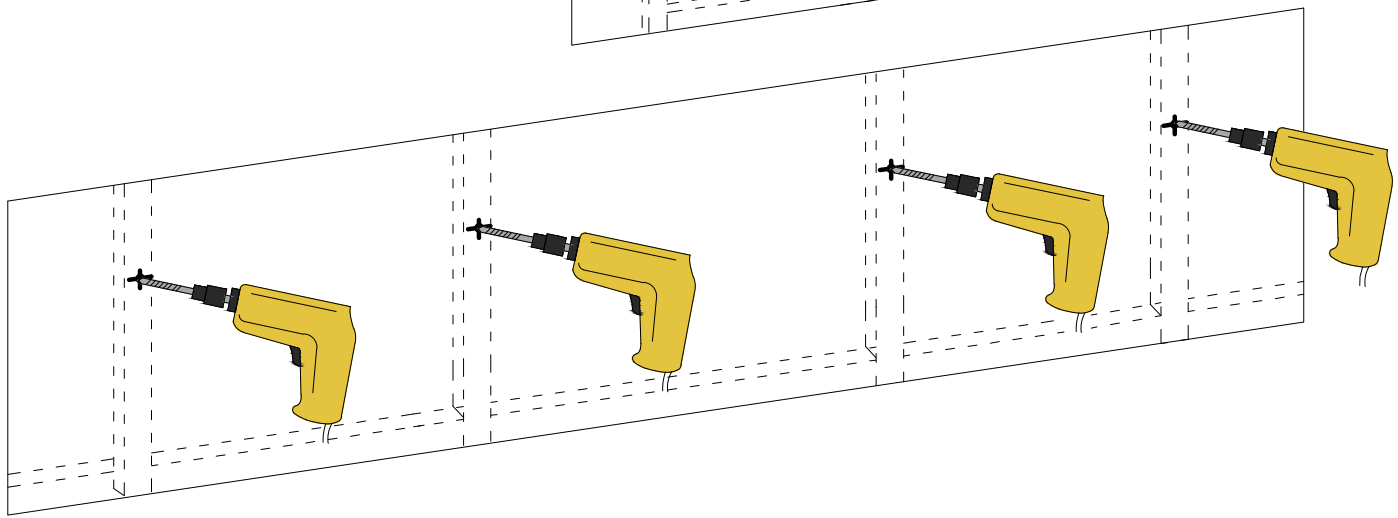
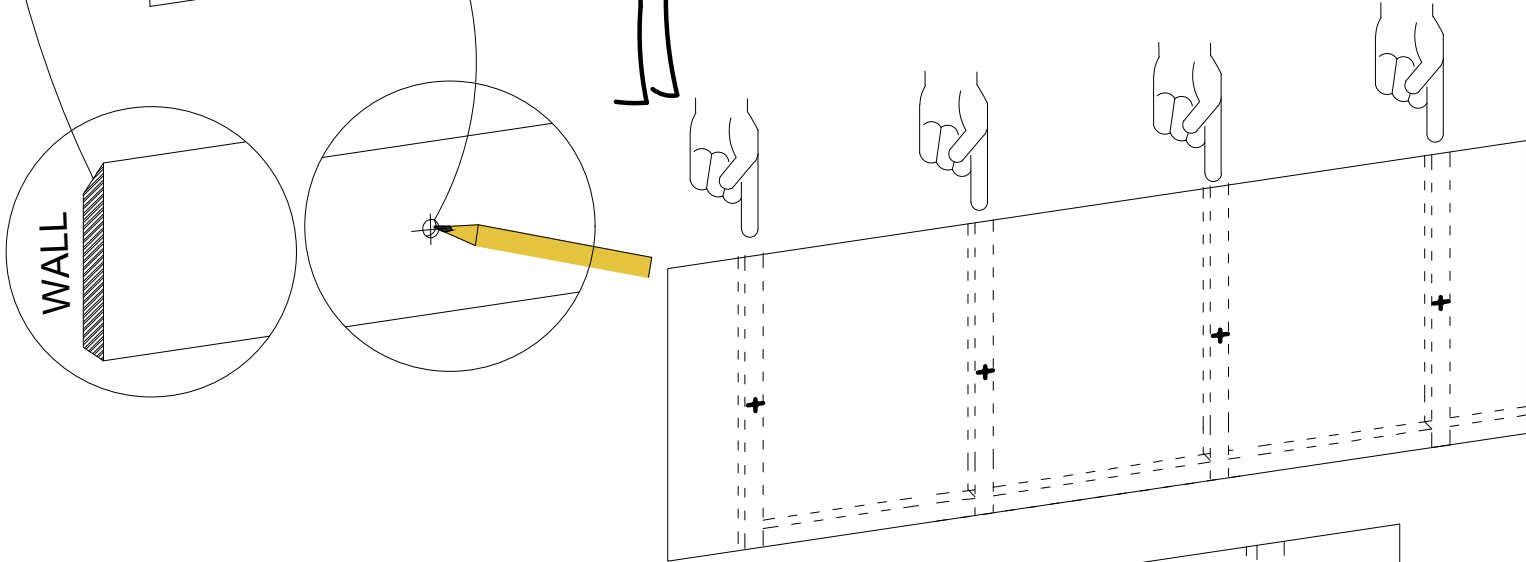
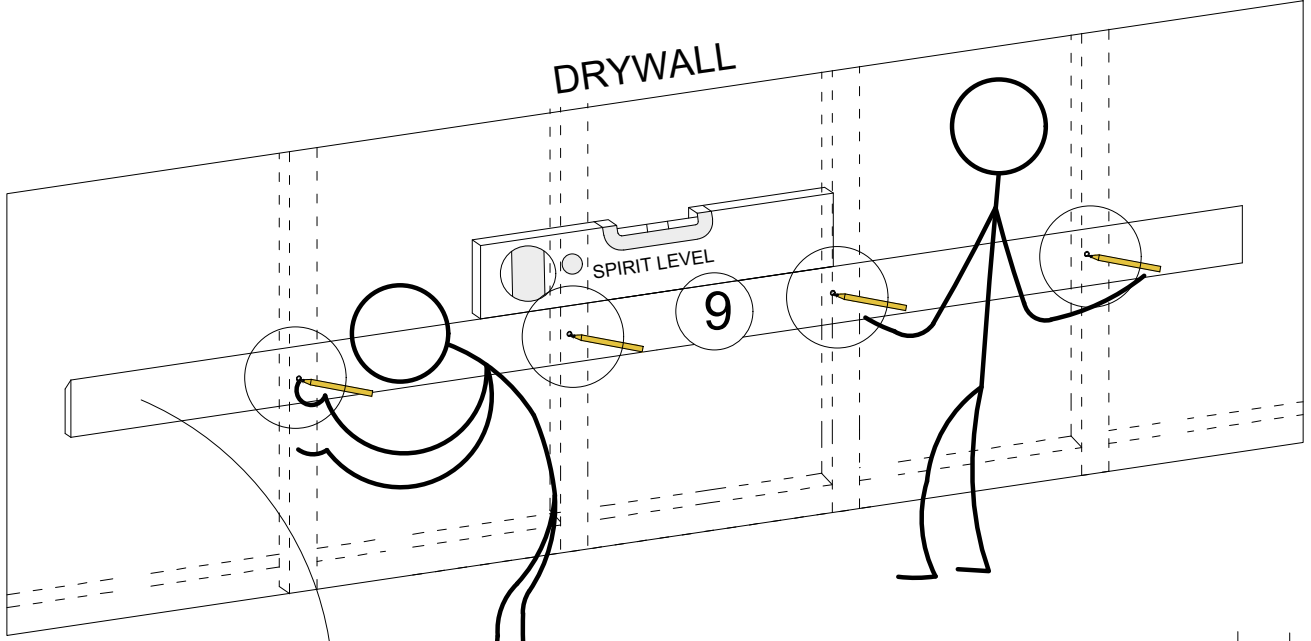


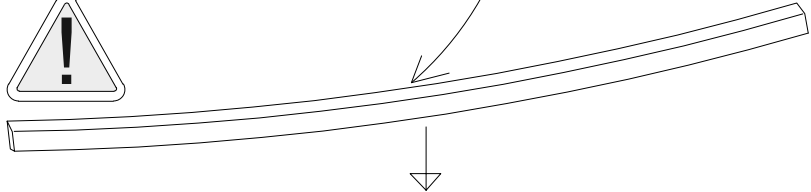
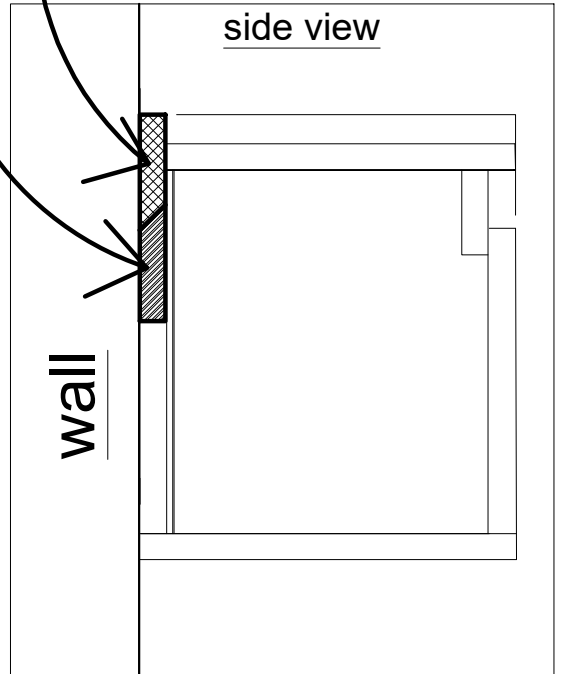
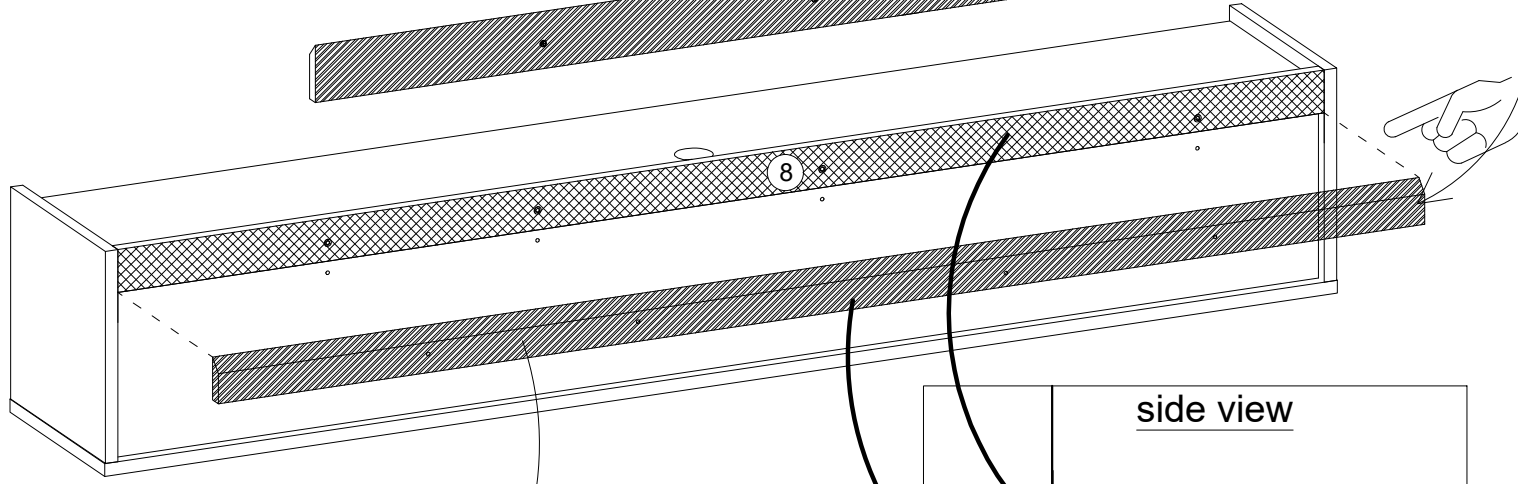
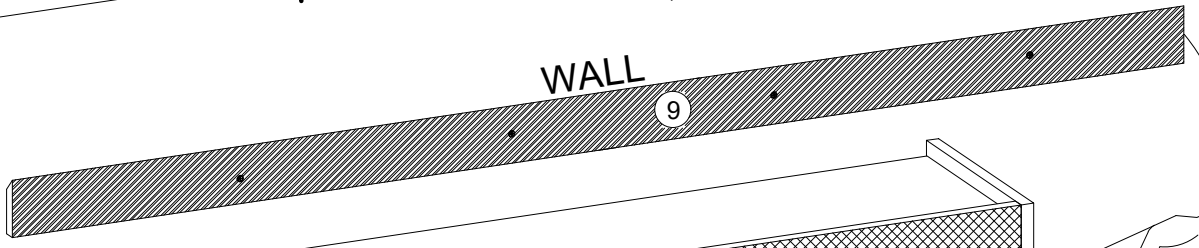
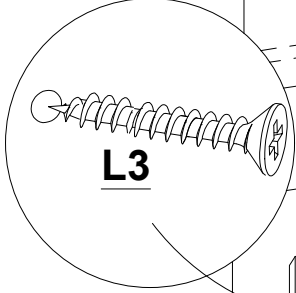
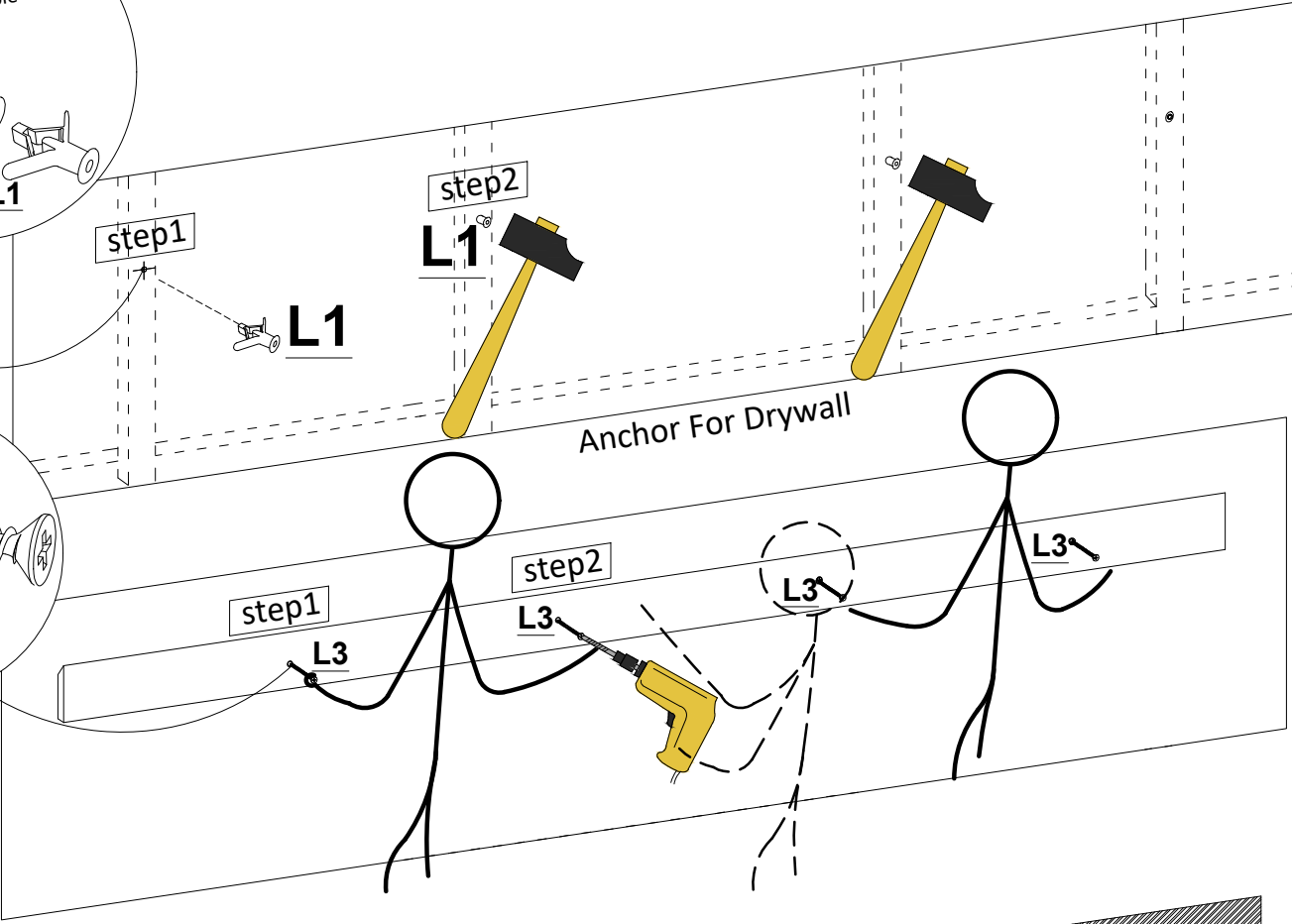
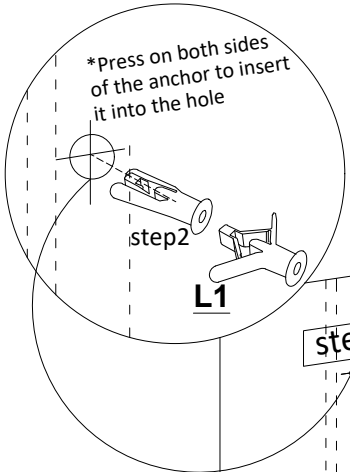
Cover Adjustments

<p>F Left-Right</p>	<p>Back and Forth</p>	<p>Up-Down</p>
-----------------------------------	------------------------------	-----------------------



Attention!
 * The angled surface must be on the front of the TV stand. Be sure to check the direction of the angle to avoid incorrect installation.
 * Place part #9 at the desired height on the wall, adjust the angle with a spirit level and make marks on the wall with a pencil through the holes shown.





Connection Detail

*First, position the L piece where you want to mount it and mark the wall through its hole. Then, drill a hole and insert the anchor. Next, align the L piece with the hole and attach it to the lower panel. Finally, secure it to the wall with the L3 screw and attach the cover.

