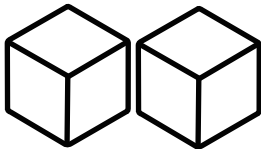
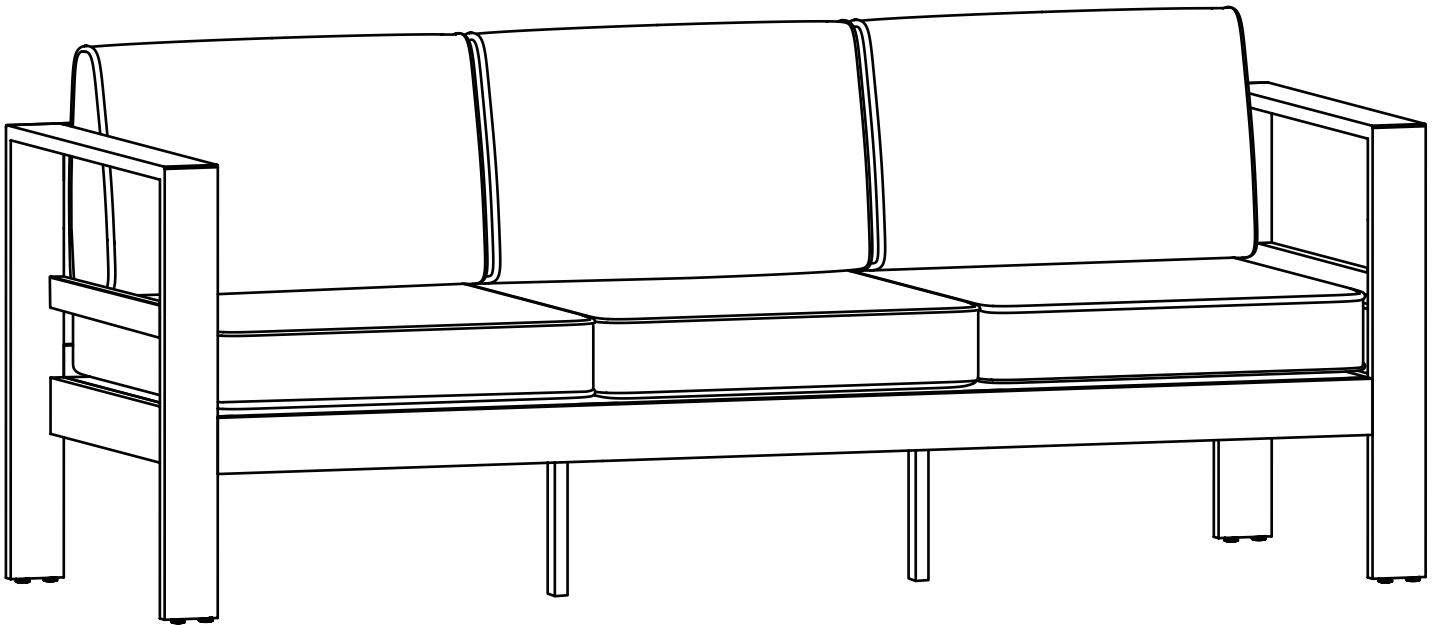


# INSTRUCTION

---

---

## ALUMINUM 3-SEAT SOFA



2 Boxes



2 person



tools require



0.5 hours need

# NOTICE



---

---

**Please keep these instructions for future reference.**

## **Dear Customer**

- Thank you for your purchase. When you receive the product, please make sure that all the parts are intact. Then follow the entire installation instructions to install!
- When installing, please be careful not to tighten the screws immediately! You need to make sure that all the screws are secured to 80%, then tighten them!
- In order to protect the aluminum frame from harm, and the screw hole from grind, do not use the electric drill, please use the manual screwdriver in the hardware package!

If problem occur unsatisfactorily as follows

- A . The outer box is damaged
- B . The product is damaged / bent / cracked while you open the box
- C . The parts / accessories / assembly tools are missing
- D . The instructions are not clear and can not be referred
- E . The product has functional problems
- F . Other aspects that you are not satisfied with

Please feel free to contact us for help. Our after-sales team service will reply within 24 hours and will do our best to resolve the problem for you.

## **CARE INSTRUCTIONS**

---

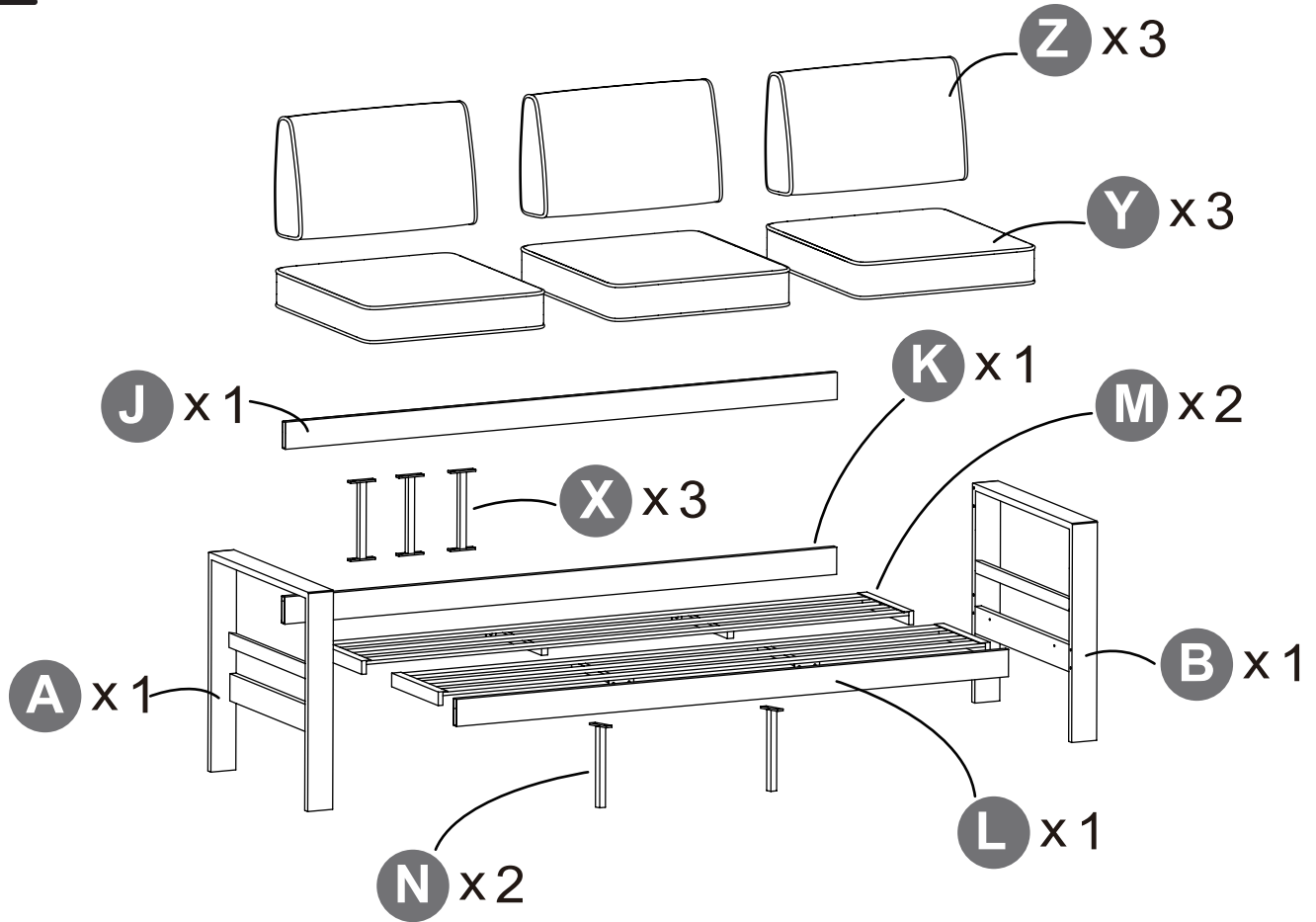
**IMPORTANT!** Always cover the conversation sets with the waterproof cover (**included**) when not in use, or you will get dirty surface.

To clean the cushion cover, please take out the sponge inside. Follow the care instructions that are sewn into the fabric. Never use solvent-based detergents since these may bleach the material and damage the fabric.

To clean the aluminium frame, wipe them with clean water. It is not recommended to clean products with a strong cleaner or an abrasive materials, it may discolor or damage the surface.

# STEP

**!** Before installation, please check that the parts are all included !



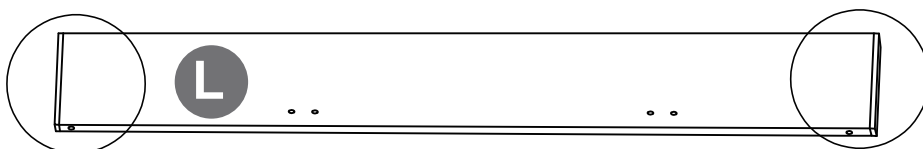
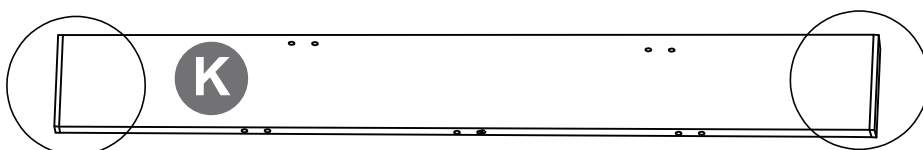
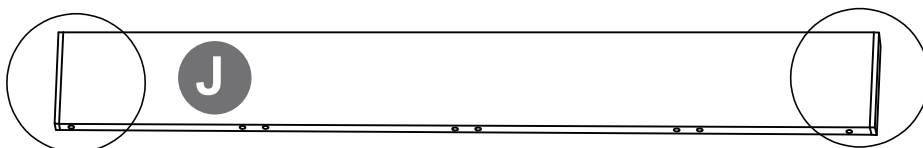
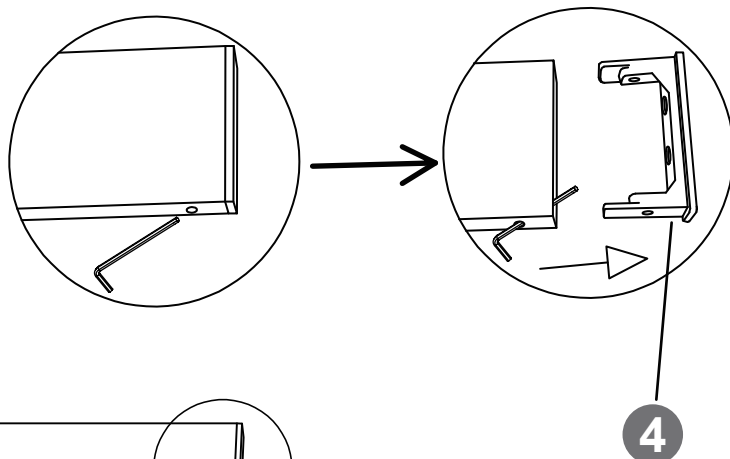
<p><b>1</b></p> <p><b>M6*20MM</b></p> <p>x 46</p>	<p><b>2</b></p> <p><b>M6*38MM</b></p> <p>x 4</p>	<p><b>3</b></p> <p>x 8</p>	
<p><b>4</b></p> <p>x 6</p>	<p><b>5</b></p> <p>x 1</p>	<p><b>6</b></p> <p><b>Waterproof Cover</b></p> <p>x 1</p>	<p><b>7</b></p> <p>x 2</p>

# STEP

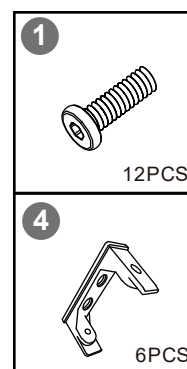
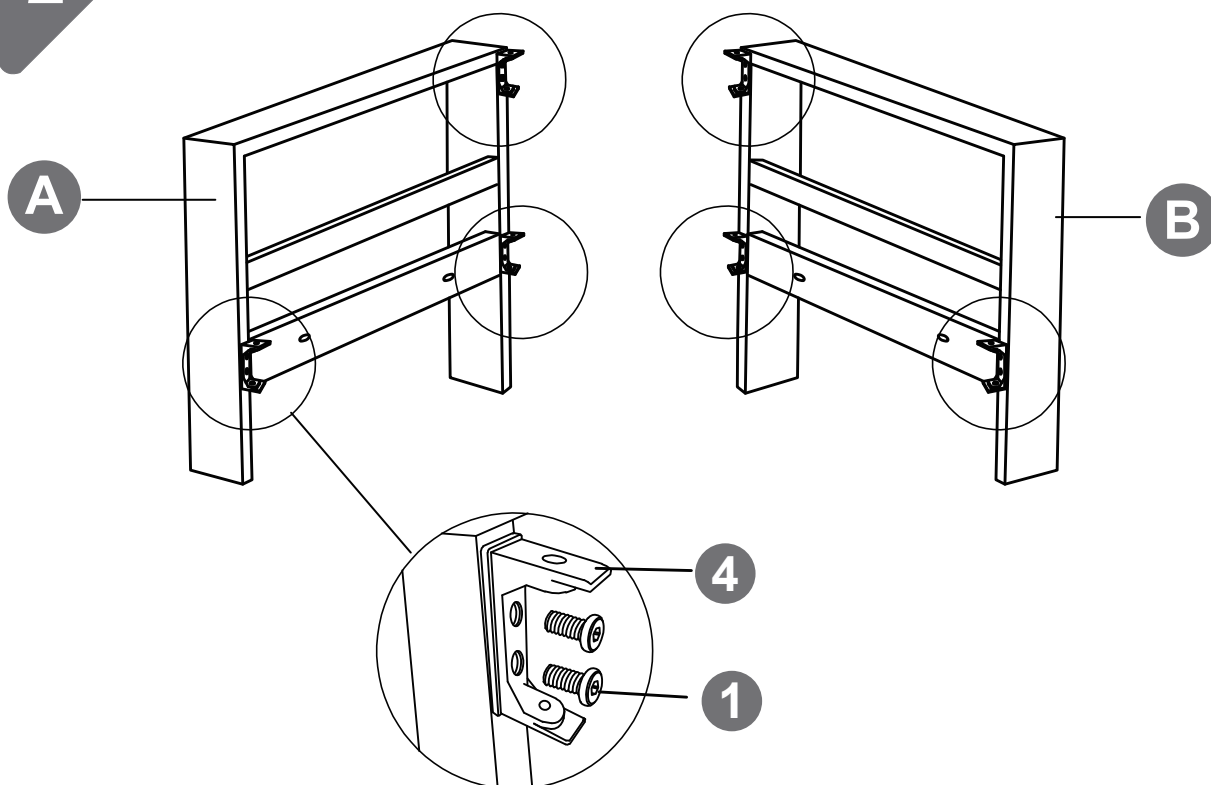
1

## ⚠ Notice!

Please take out the PART #4 from the aluminum pipe frame, which will be used in the following steps.



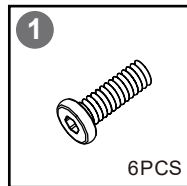
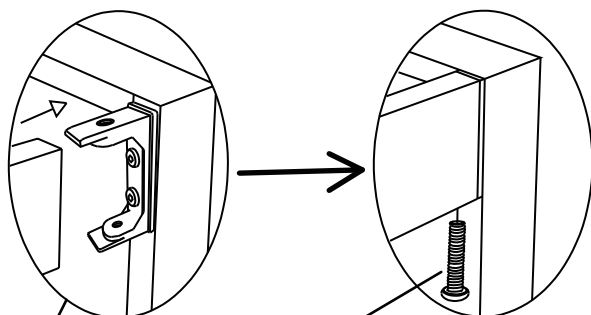
2



3

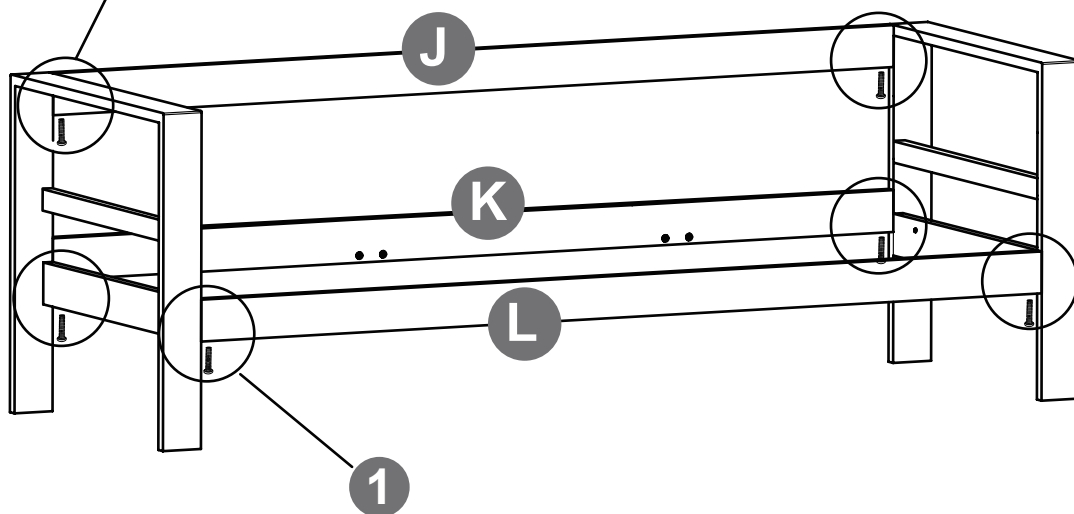
# STEP

3

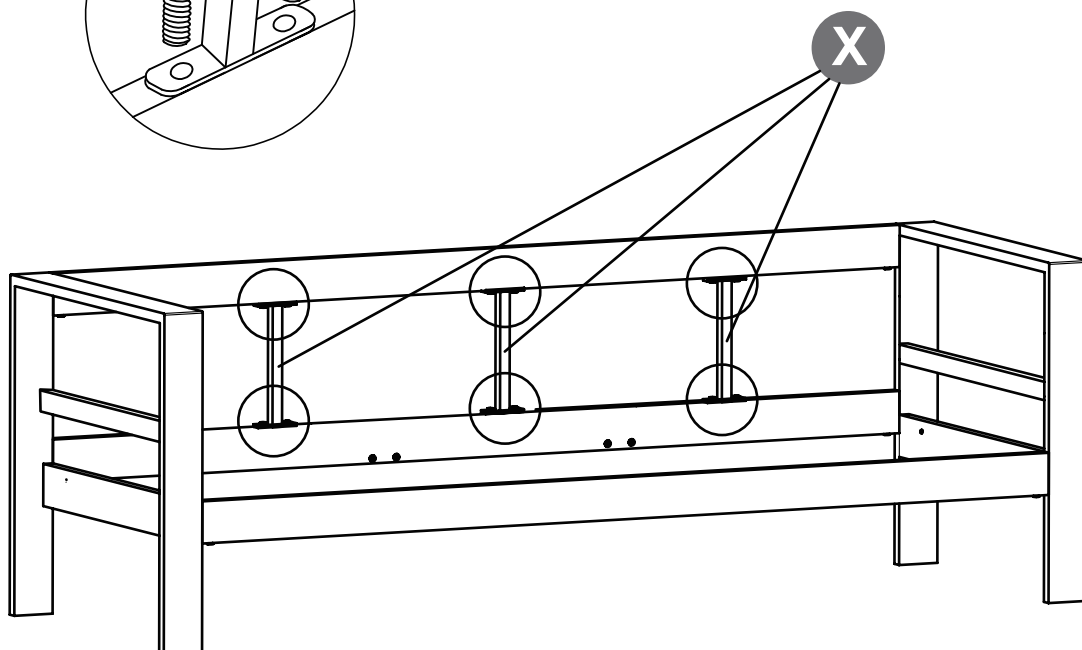
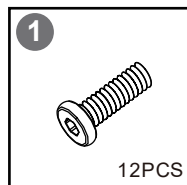
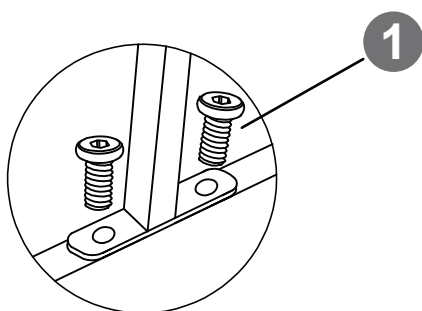


## ⚠ Notice!

When installing, please DO NOT to tighten the screws immediately! You need to make sure that all the screws are secured to 80%,then tighten them!(In order to aim all the screw holes)

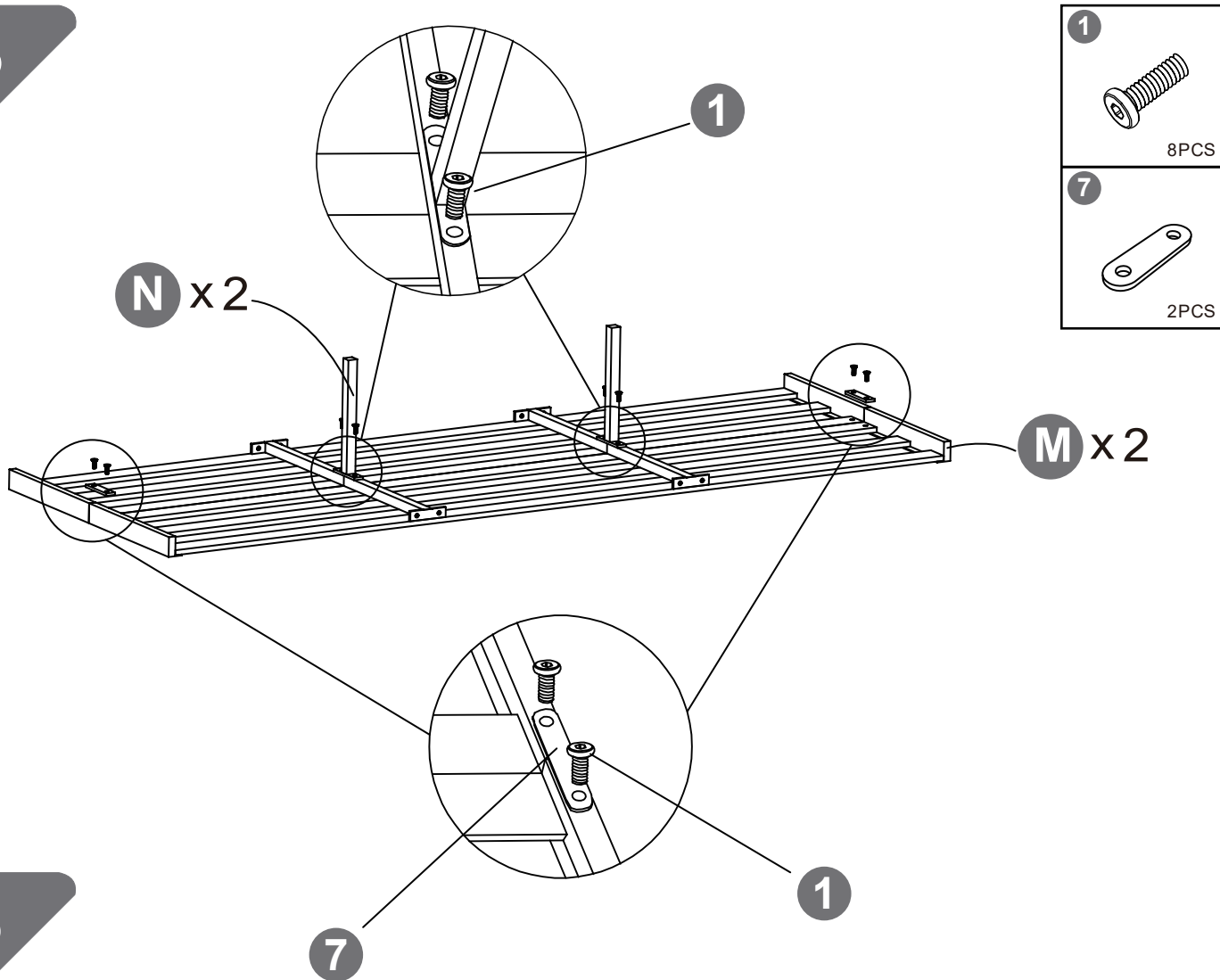


4

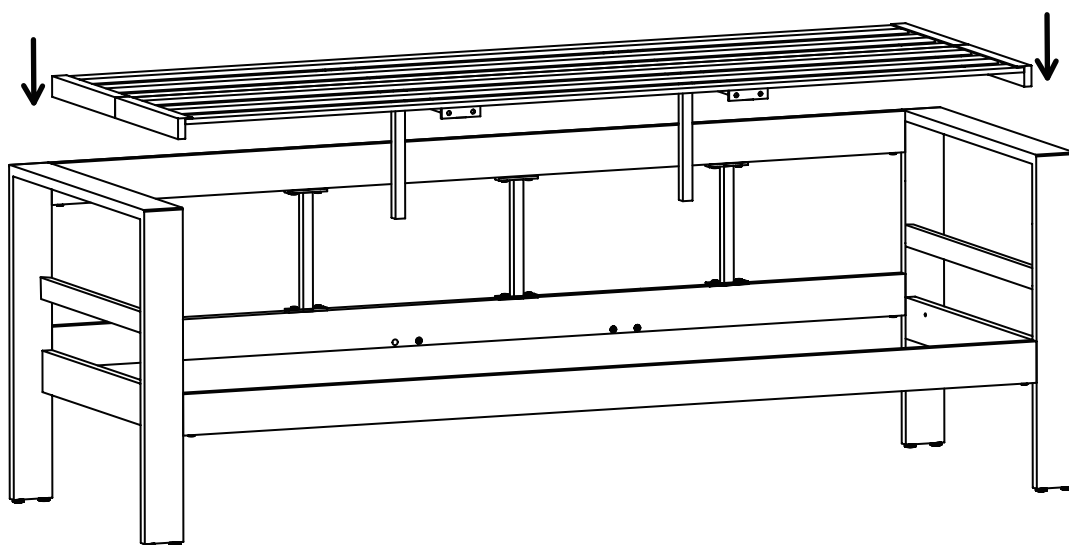


# STEP

5



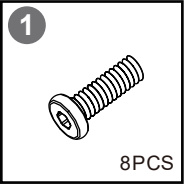
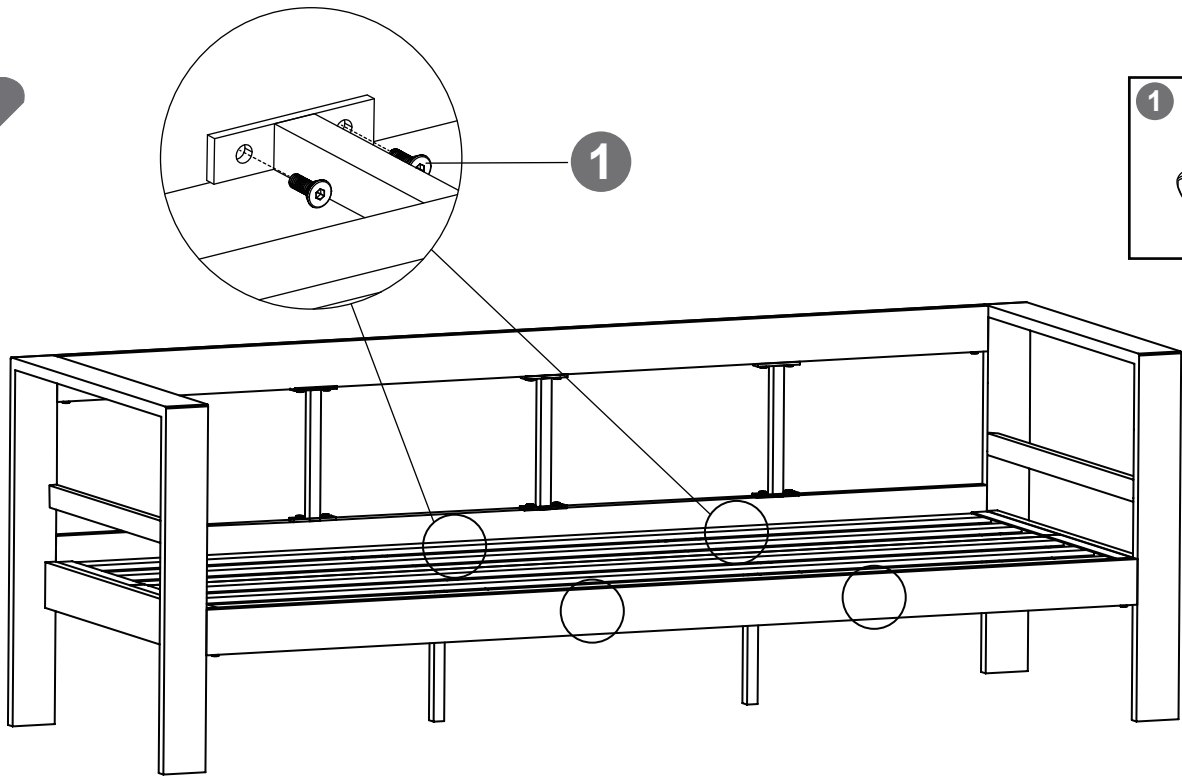
6



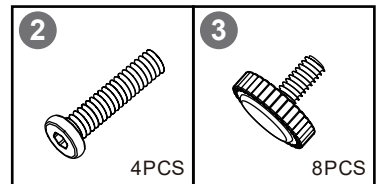
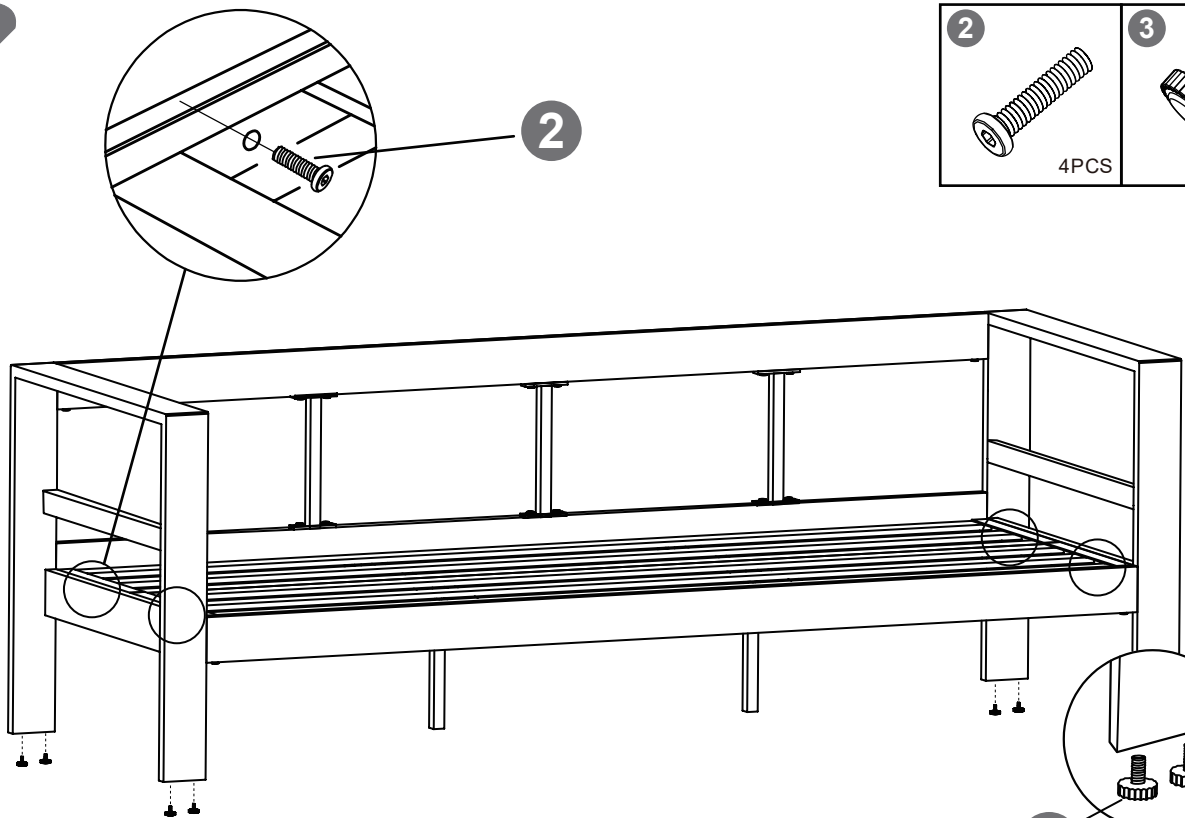
5

# STEP

7



8



The installation is complete.  
Make sure ALL the screws are fully tighten.

6

# **AFTER-SALE SERVICE**

If you have any suggestions for our products or find that the products have quality problems, please contact us first, our after-sales team will reply you within 24 hours, and we will do our best to give you solutions until you are satisfied.

## **Guaranteed Customer Service**

Your shopping experience is very important to us!  
Feel unsatisfied? **Contact us!**  
Have any questions? **Contact us!**

Wanna Share how wonderful our smart promakes your home?  
Share your pictures with us.  
Any suggestions? **Contact us!**  
We gotcha back!