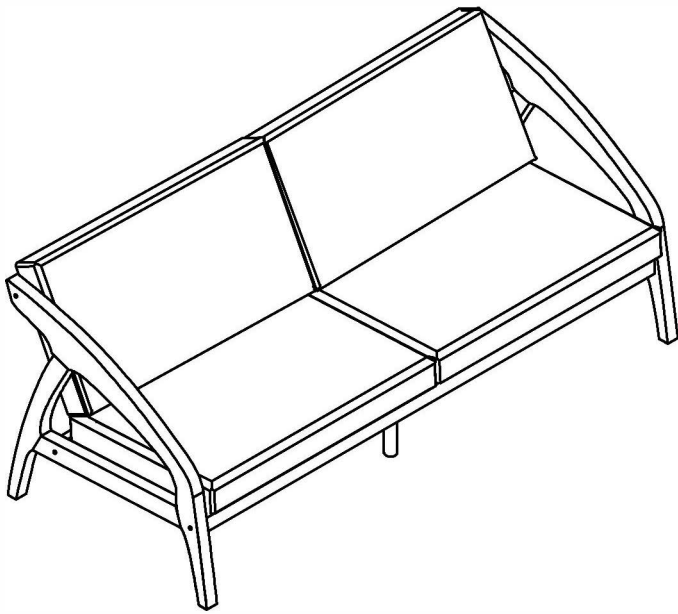




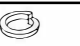
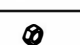
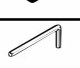



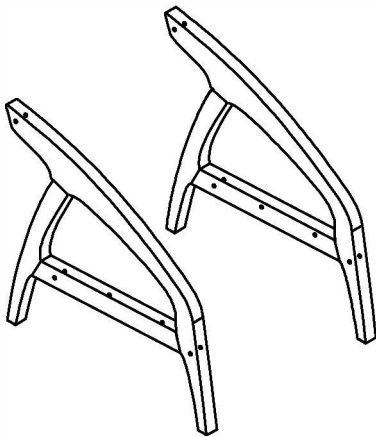


## PRODUCT PARTS ILLUSTRATION/QUANTITY

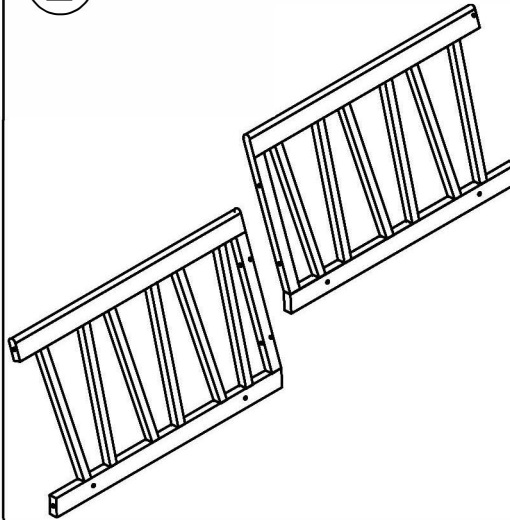


NO.	Name	Amount
A		Φ8x45=18
B		Φ8x60=2
C		Φ8x70=2
D		Φ8=22
E		Φ8=22
F		Φ8=4
G		1
H		Φ14=1
I		Φ8x20=2
J		Φ20=10

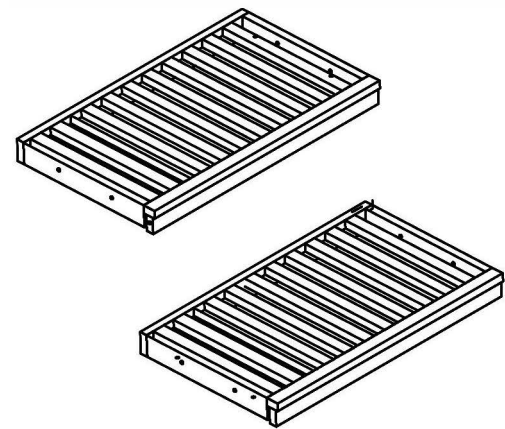
① Armrest x2



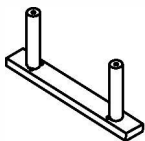
② Backrest x2



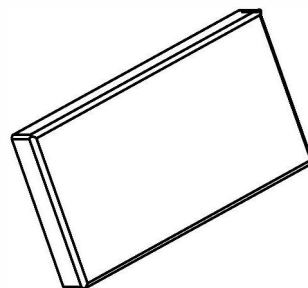
③ Bottom frame x2



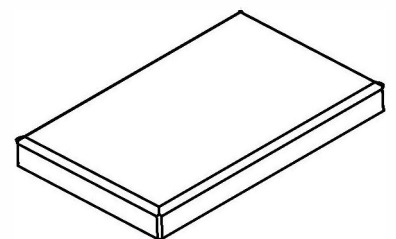
④ Middle foot x1



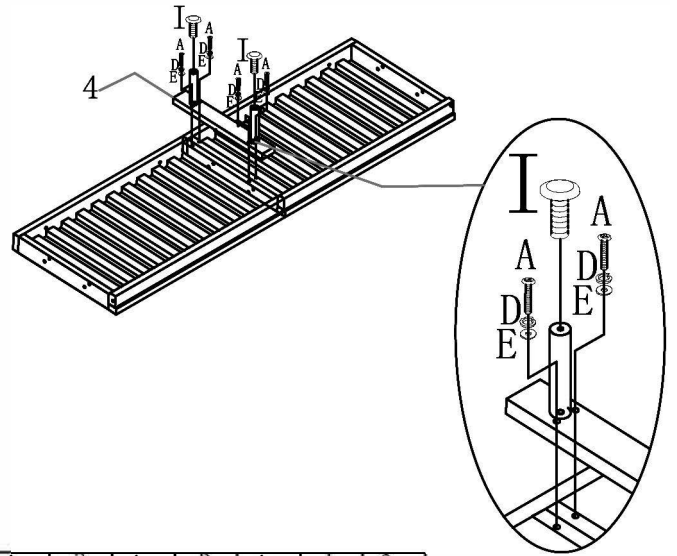
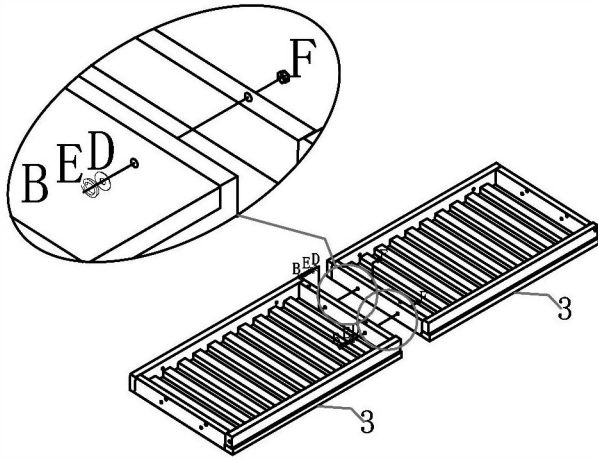
⑤ Soft backrest bag x2



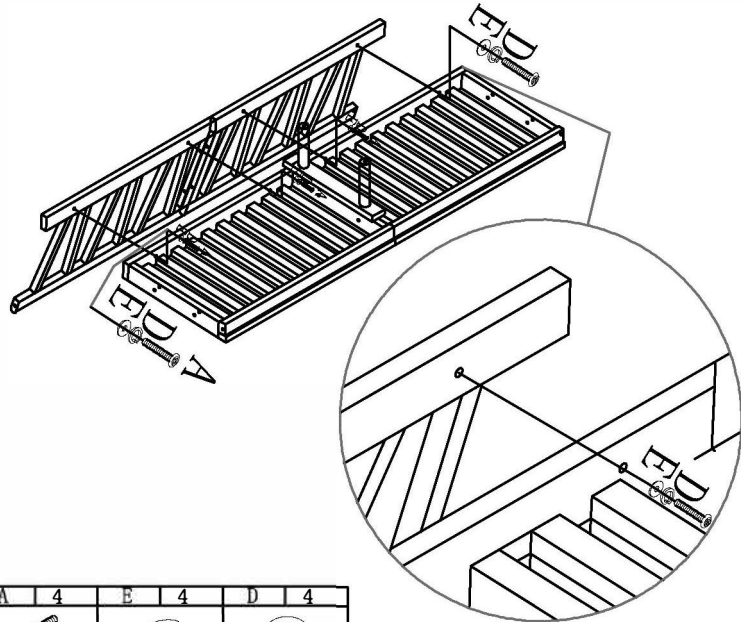
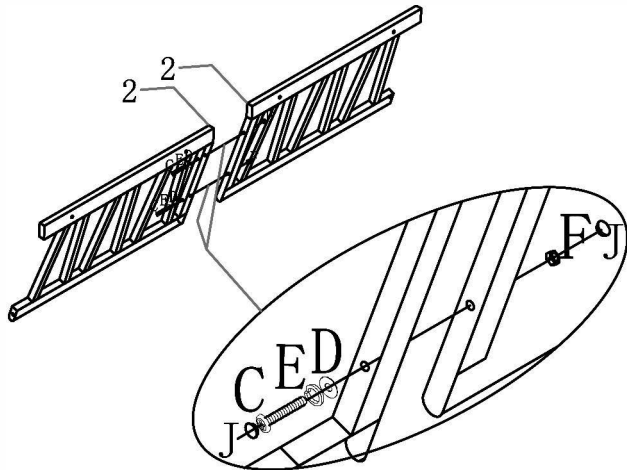
⑥ Cushion soft bag x2



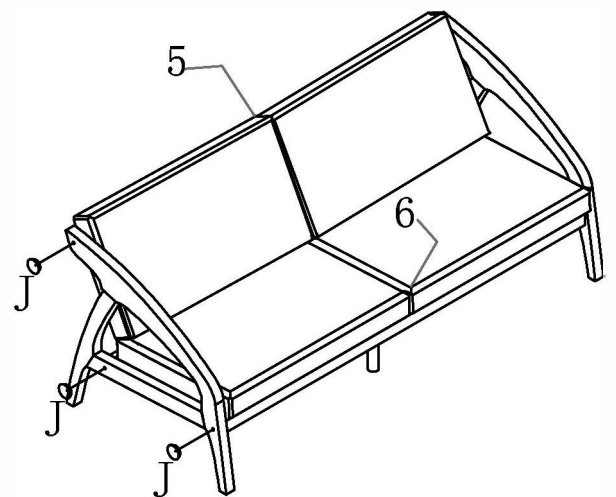
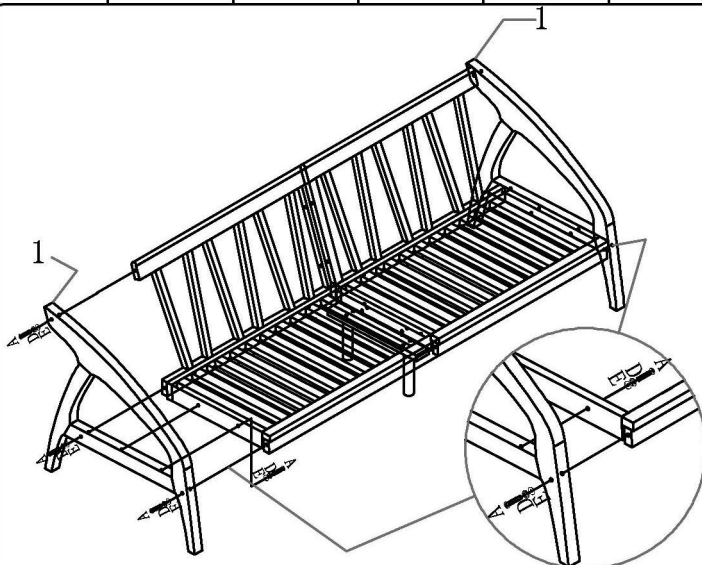
## PRODUCT PARTS ILLUSTRATION/QUANTITY



B	2	E	2	D	2	F	4	A	4	E	4	D	4	I	2



C	2	E	2	D	2	F	2	J	2	A	4	E	4	D	4



Install the same as the left and right armrests.

A	10	E	10	D	10	J	6