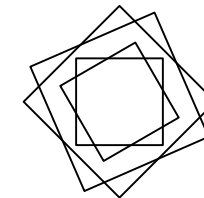
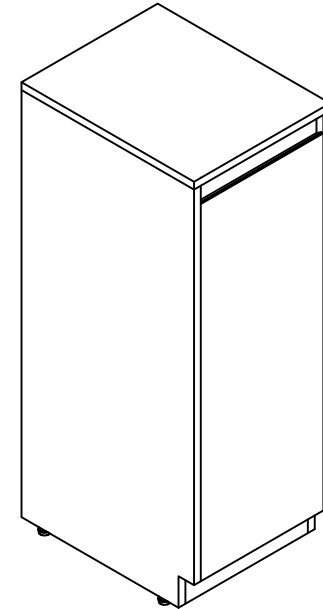


## THANKS FOR WATCHING

Your feedback is invaluable to us and we would love to hear about your experience. Please take the time to leave us a review.



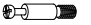











## Thank you for shopping with us!

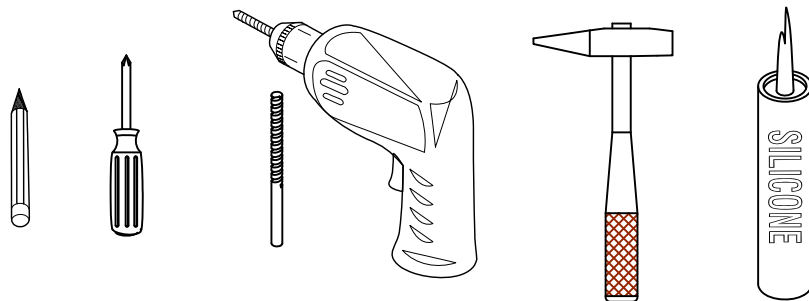
We encourage you to take a few minutes to go through this booklet. It contains important information on installation and care tips to keep your furniture looking as good as new.

Item NO.:BV H12212

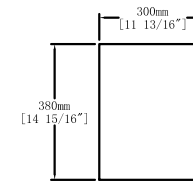
Hardware

NO.	Draw	QTY	NO.	Draw	QTY
A	 Screws Ø4x14mm	12	G	 Screws for fix on the wall	2
B	 Two-in-one connector	22	H	 Wall hanging screw decorative cover	2
C	 Two-in-one connector	22	I	 Adjustable feet	4
D	 Wood plug	8	J	 Movable laminate support	4
E	 Plastic anchor(Ø10mm)	2	K	 Anti-collision gasket	2
F	 Hinges(Internal hiding)	2	L	 Screwdriver	1

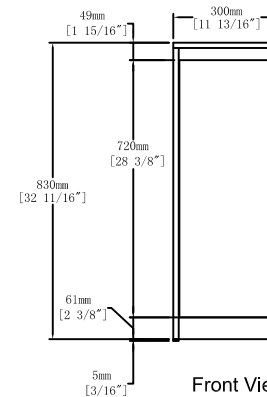
Recommended tools



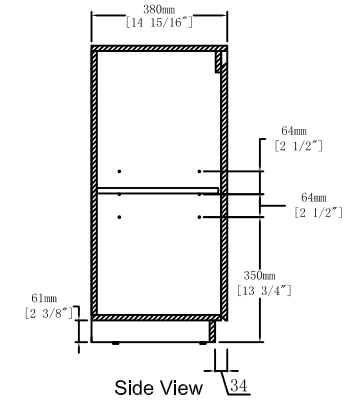
Dimensions



Top View



Front View



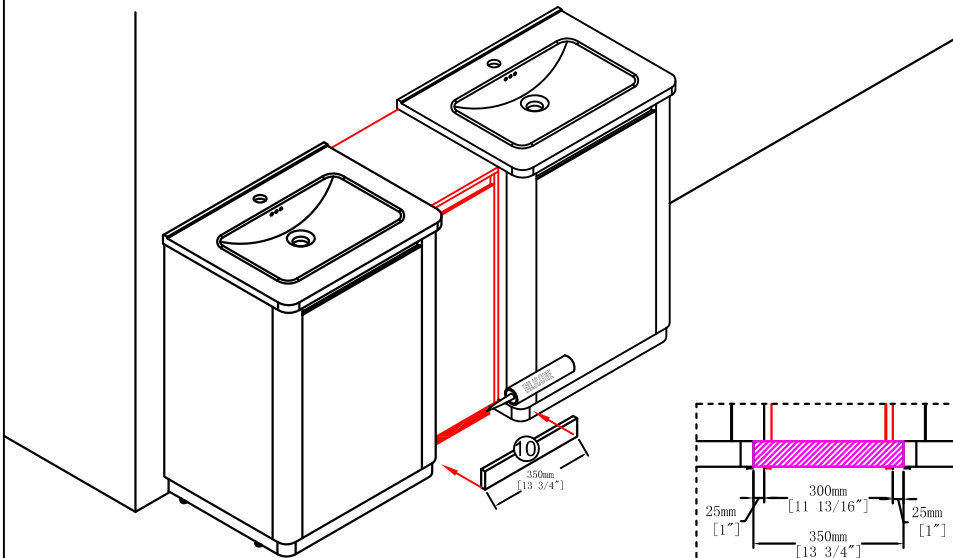
Side View

CARE CLEANING AND MAINTENANCE

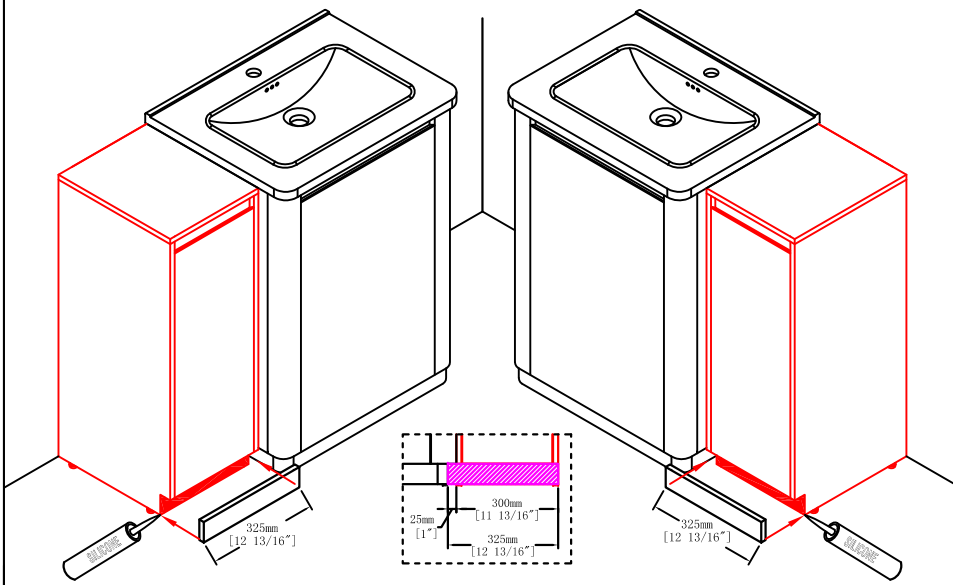
- 1.Dust regularly with a soft , dry cloth.
- 2.Avoid the use of all chemicals household cleaners, abrasives, or cleaners that contain lemon, vinegar, or other acids that may damage the finish.
- 3.Excessive exposure to sunlight and extreme changes in temperature and moisture can damage wood furniture.
- 4.Do not place hot appliances, such as curling irons and hot hair dryers directly on the countertop. Wipe spills immediately.

## Installation instructions for combination cabinet skirting board

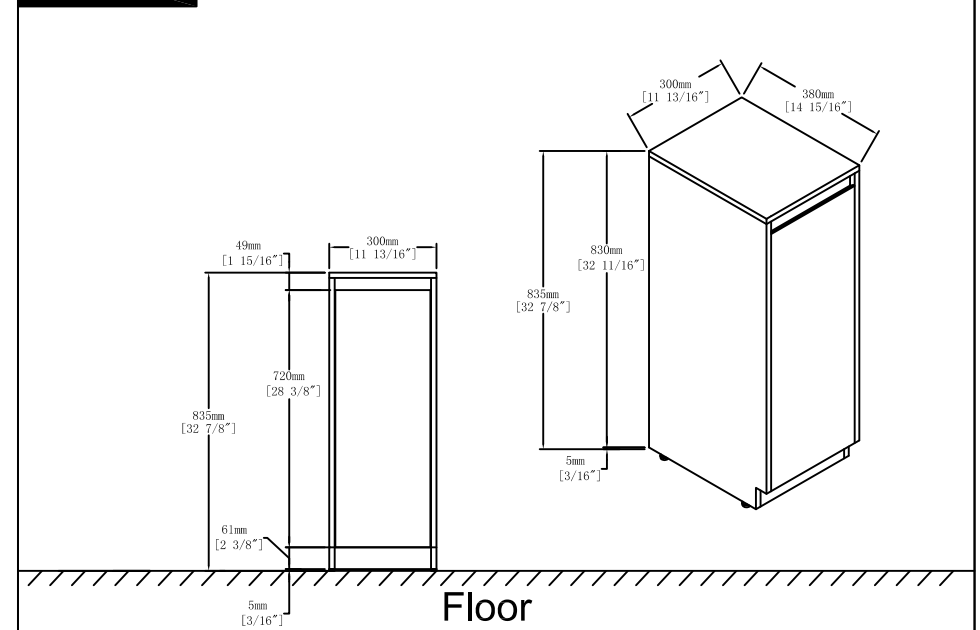
When two main cabinets are combined with one middle cabinet, a No. 10 wooden board can be added to the bottom of the middle cabinet as needed, and glass glue can be applied according to the diagram for bonding.



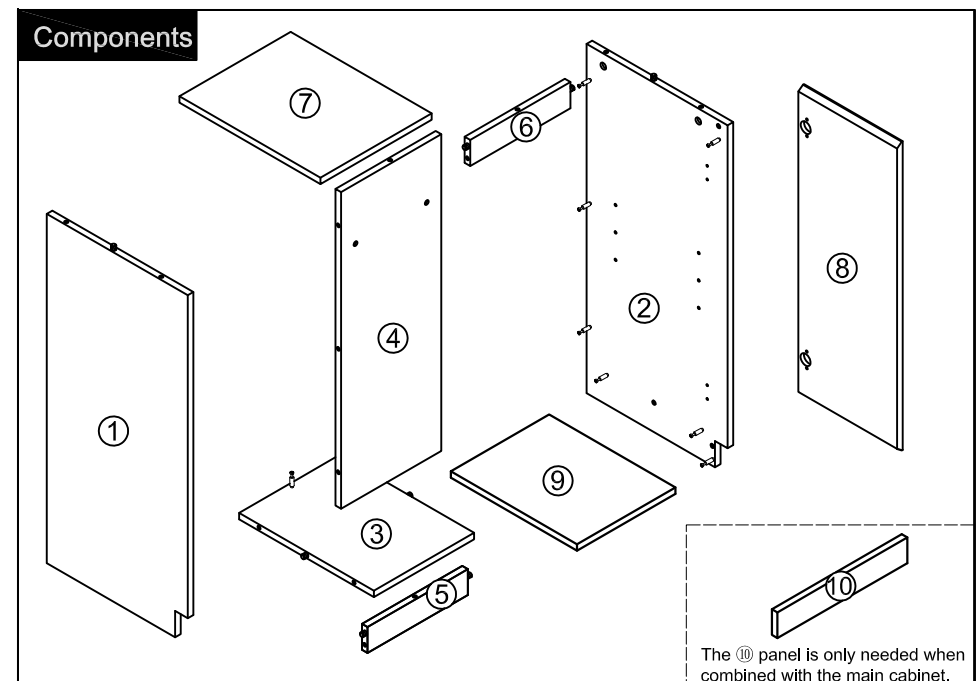
When combining a single main cabinet and an intermediate cabinet, the length of the bottom skirting board can be cut according to the actual length, and it is recommended to shorten it by 25mm.



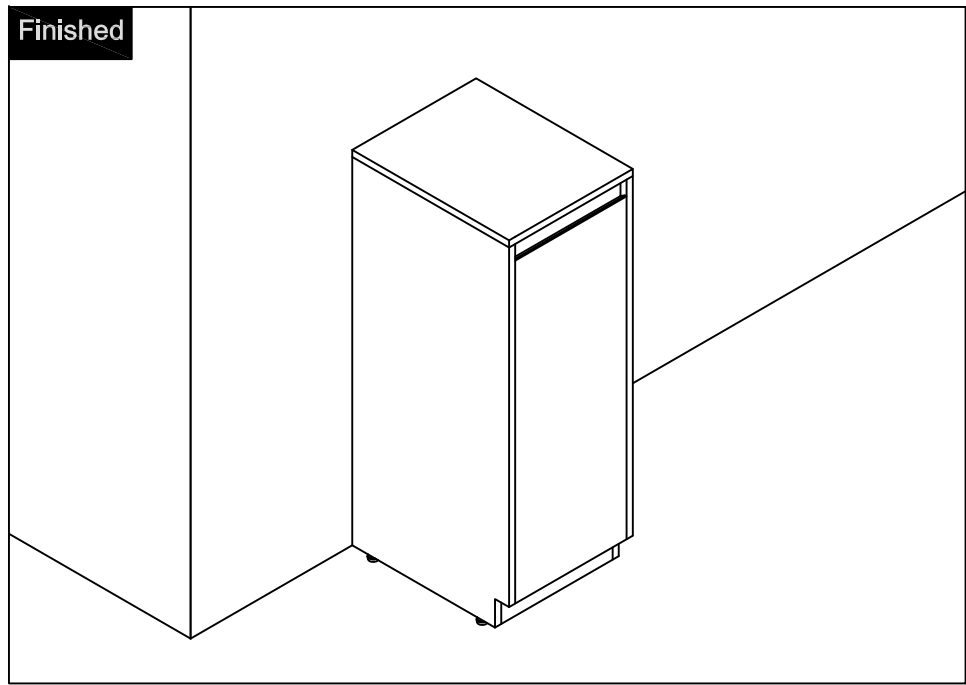
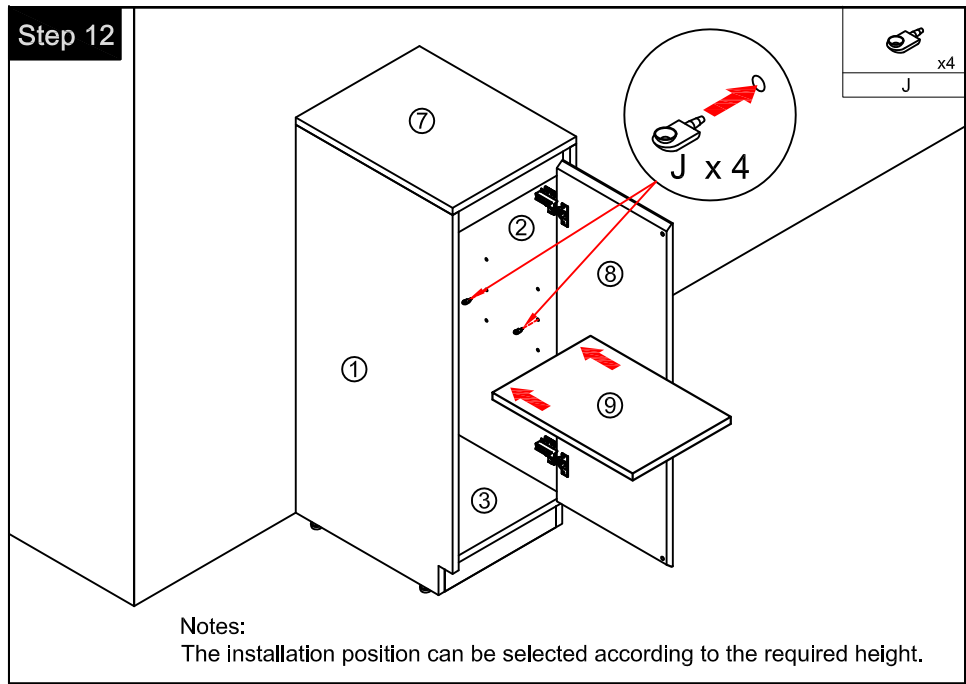
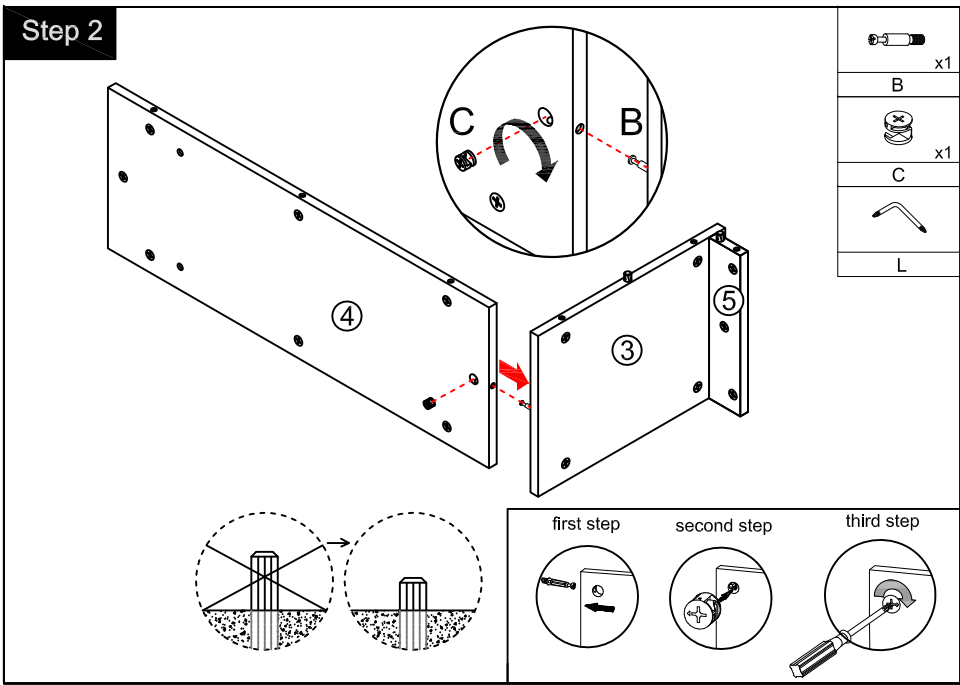
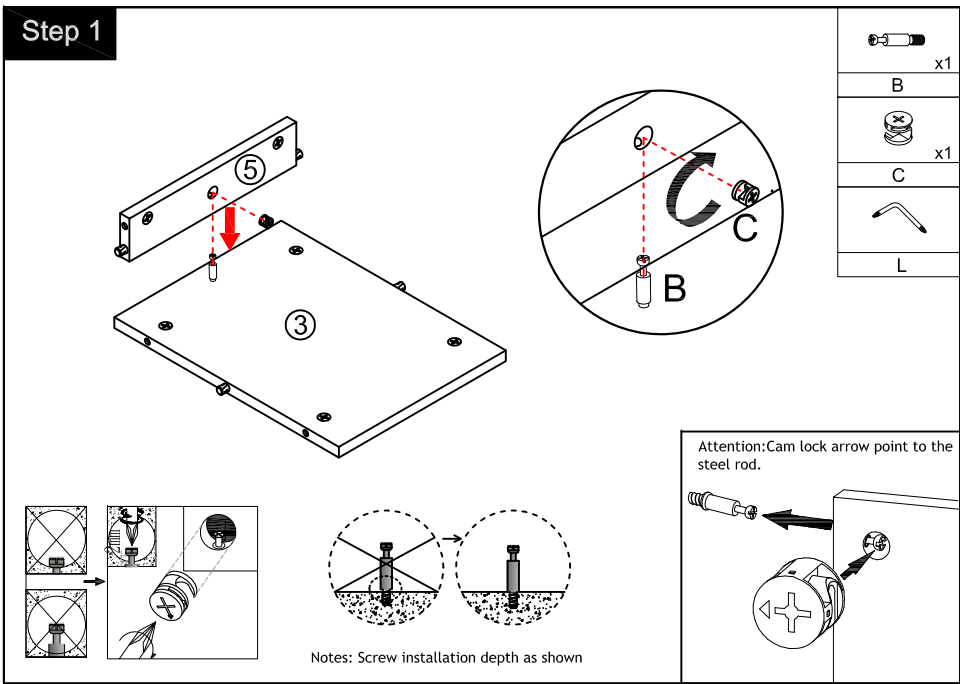
## Dimensions

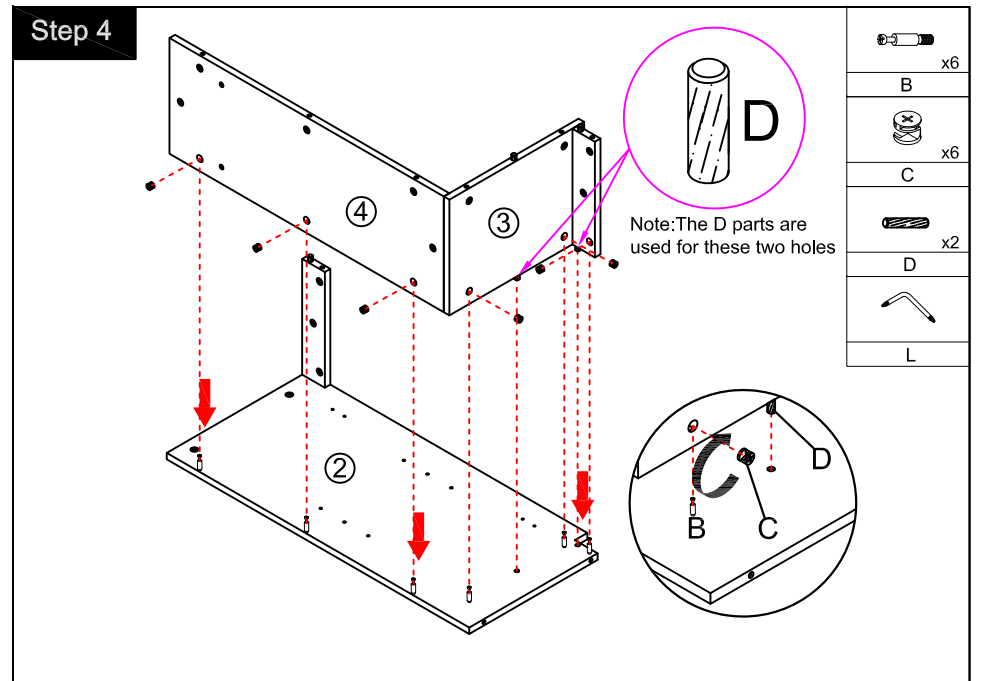
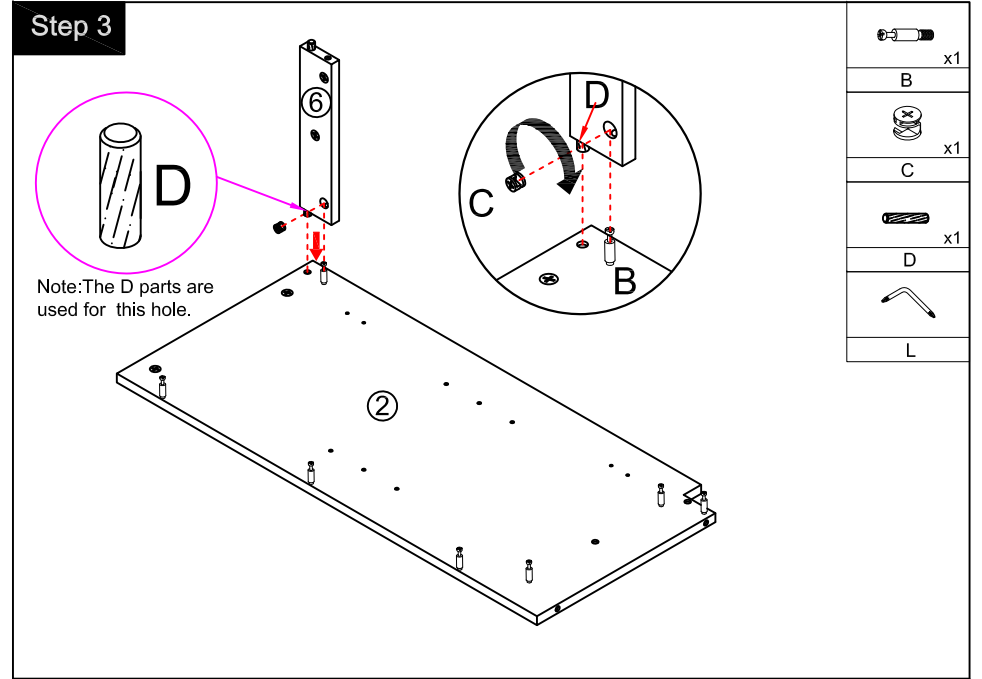
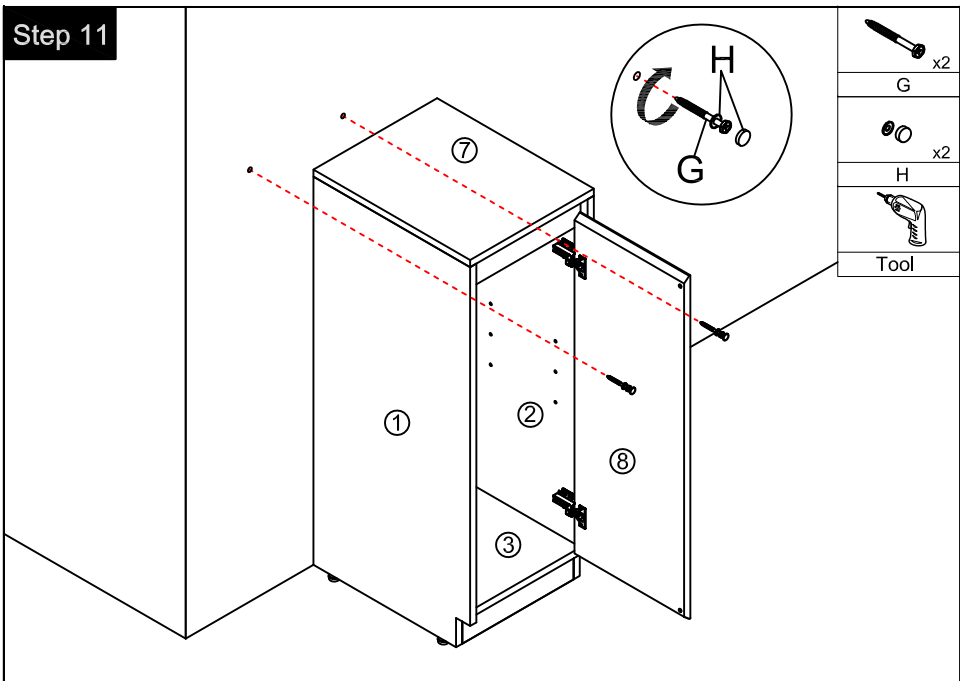
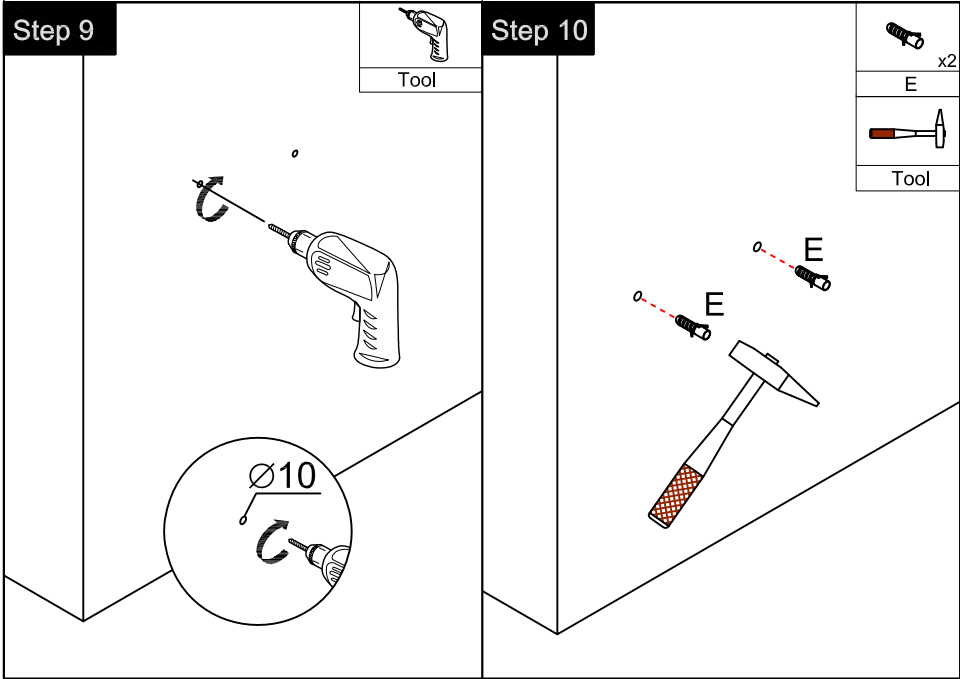


## Components



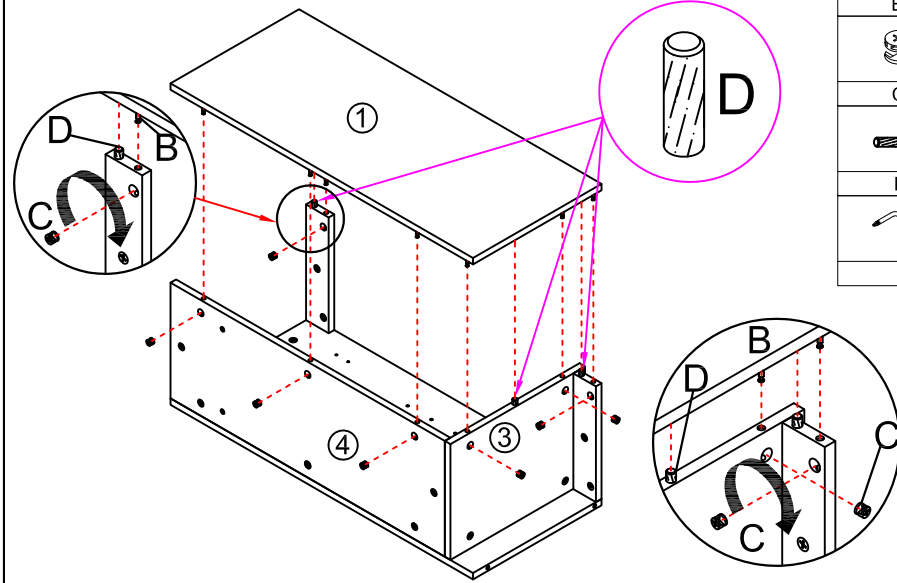
The ⑩ panel is only needed when combined with the main cabinet.





### Step 5

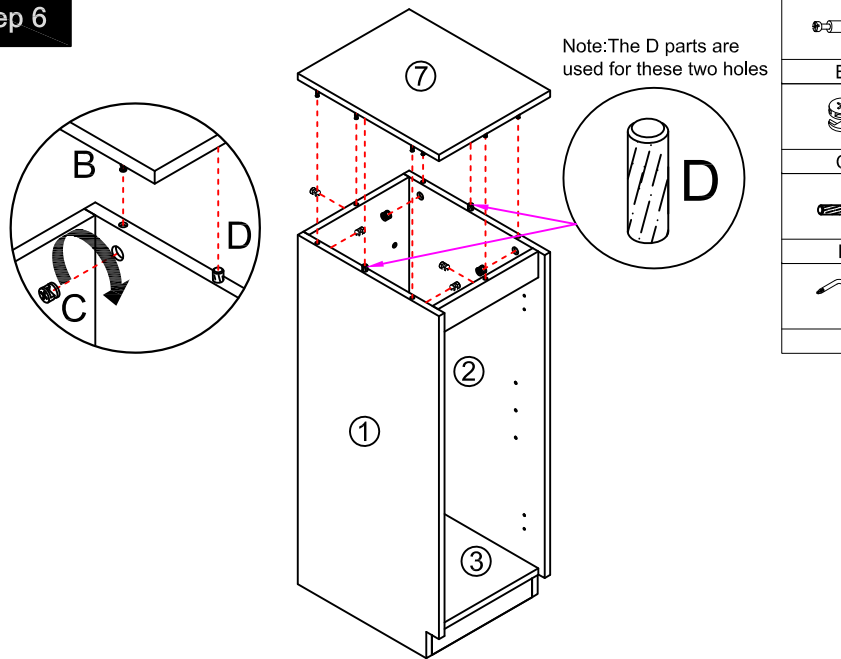
Note: The D parts are used for these three holes



	x7
B	
	x7
C	
	x3
D	
L	

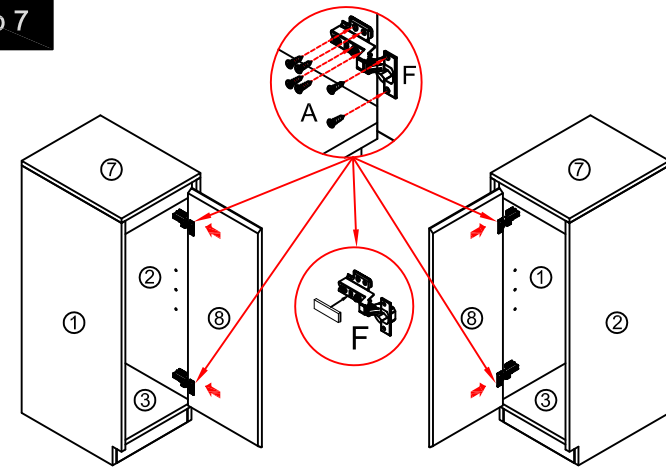
### Step 6

Note: The D parts are used for these two holes



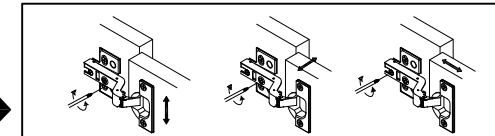
	x6
B	
	x6
C	
	x2
D	
L	

### Step 7



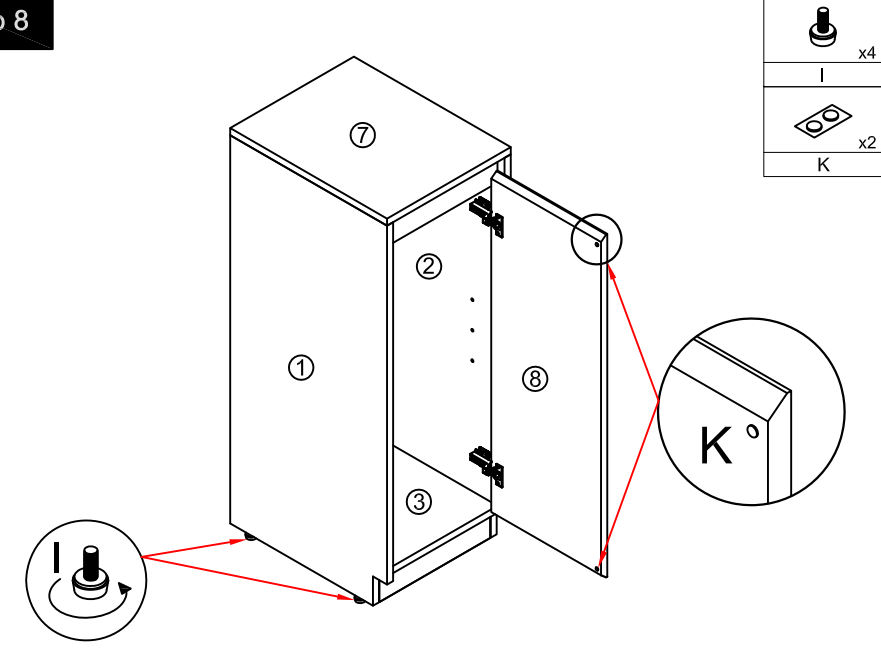
Note: The opening direction of the door panel can be installed as left or right according to one's own needs.

You can adjust the doors by tightening or loosening the screws on the hinge. →



( $\varnothing 4 \times 14\text{mm}$ )	
	x12
A	
	x2
F	
Tool	

### Step 8



	x4
I	
	x2
K	