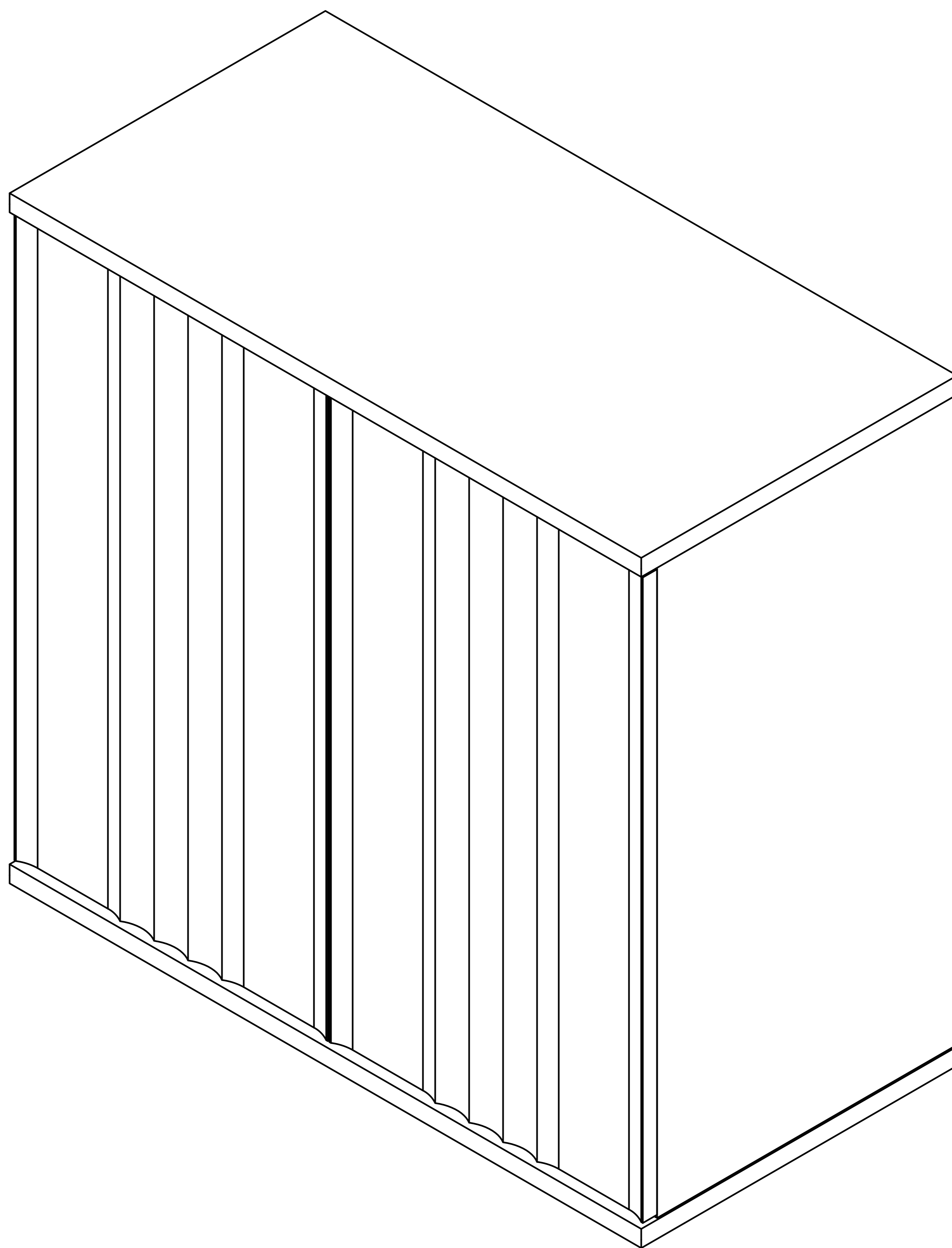
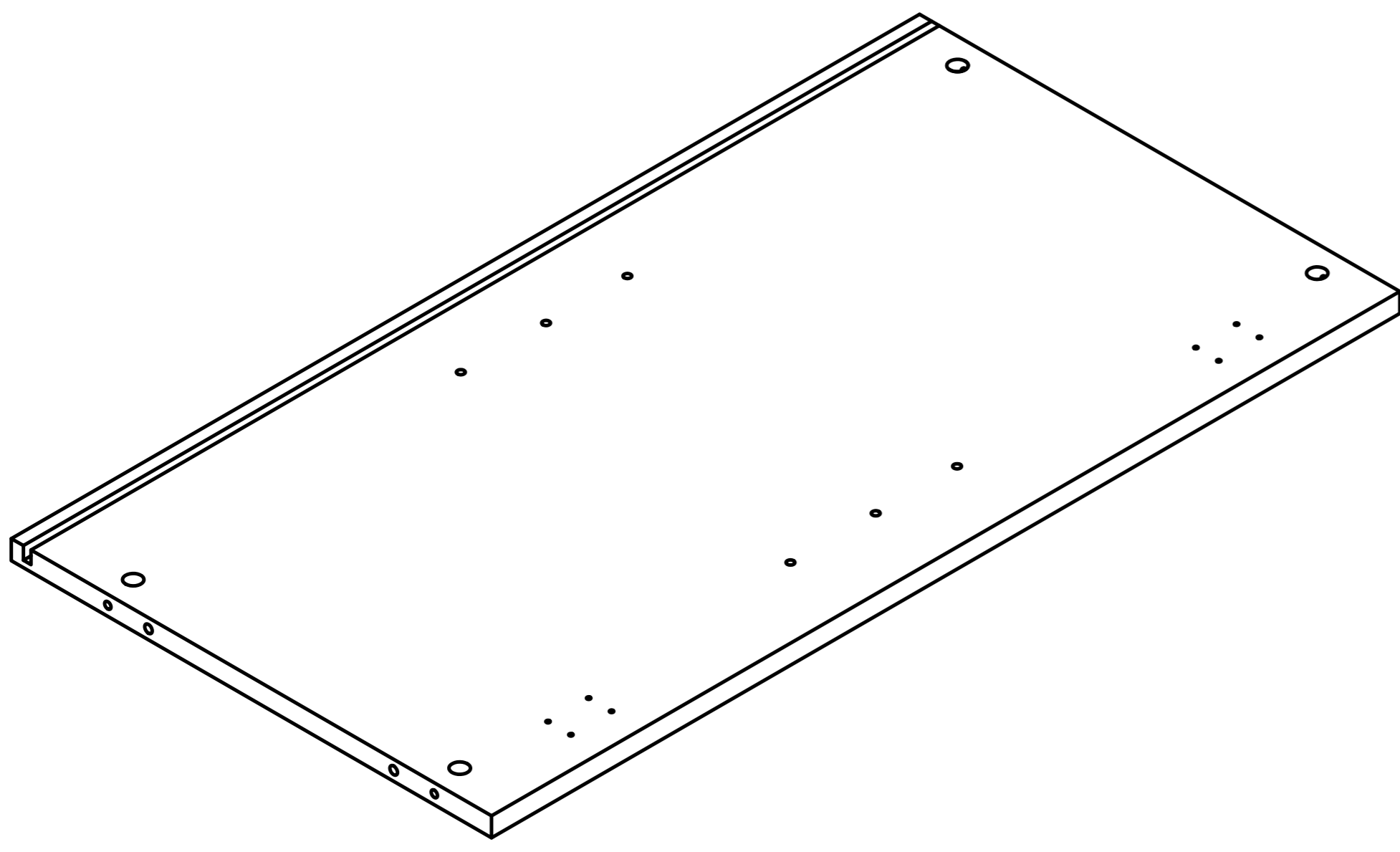
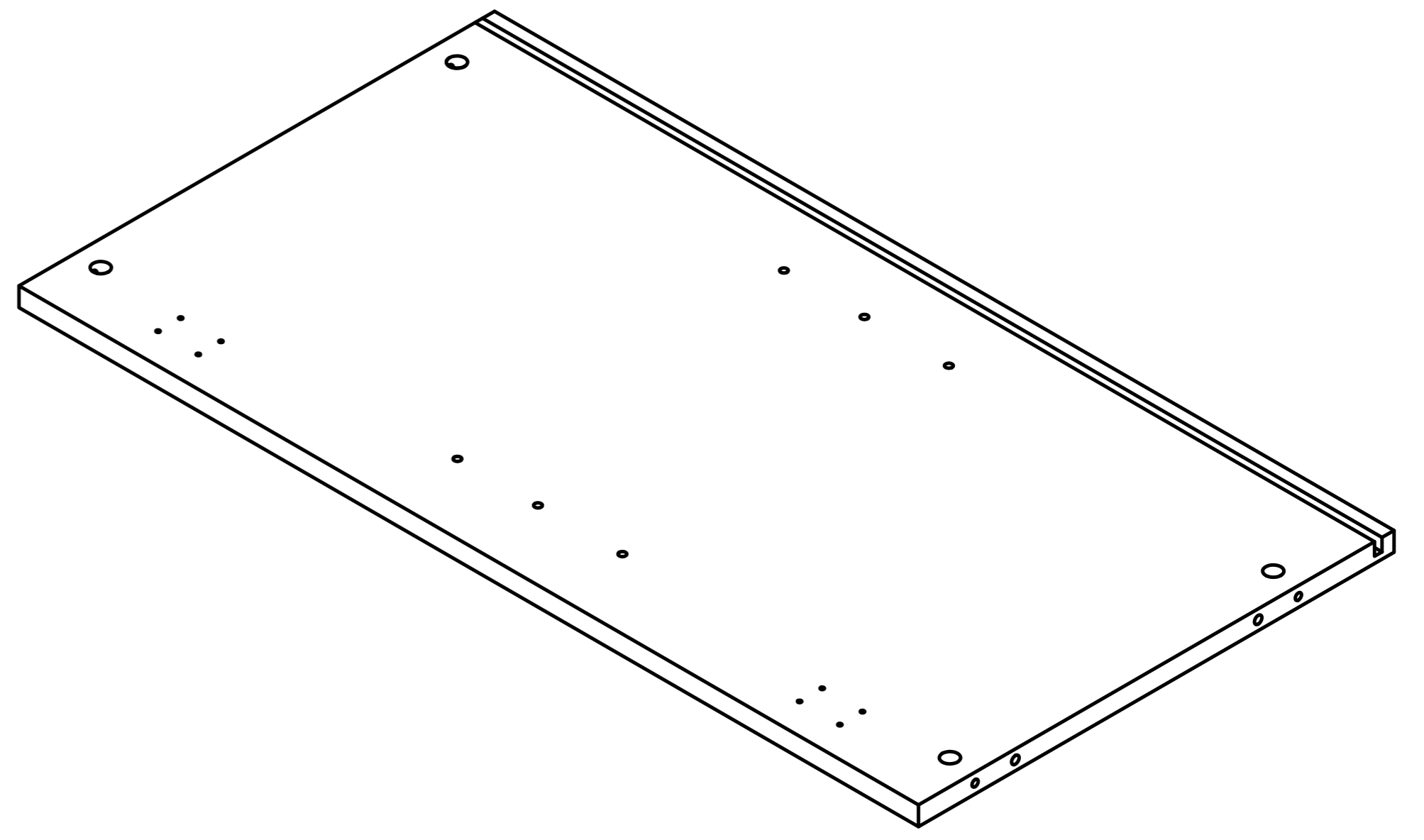


# Product Installation Instructions

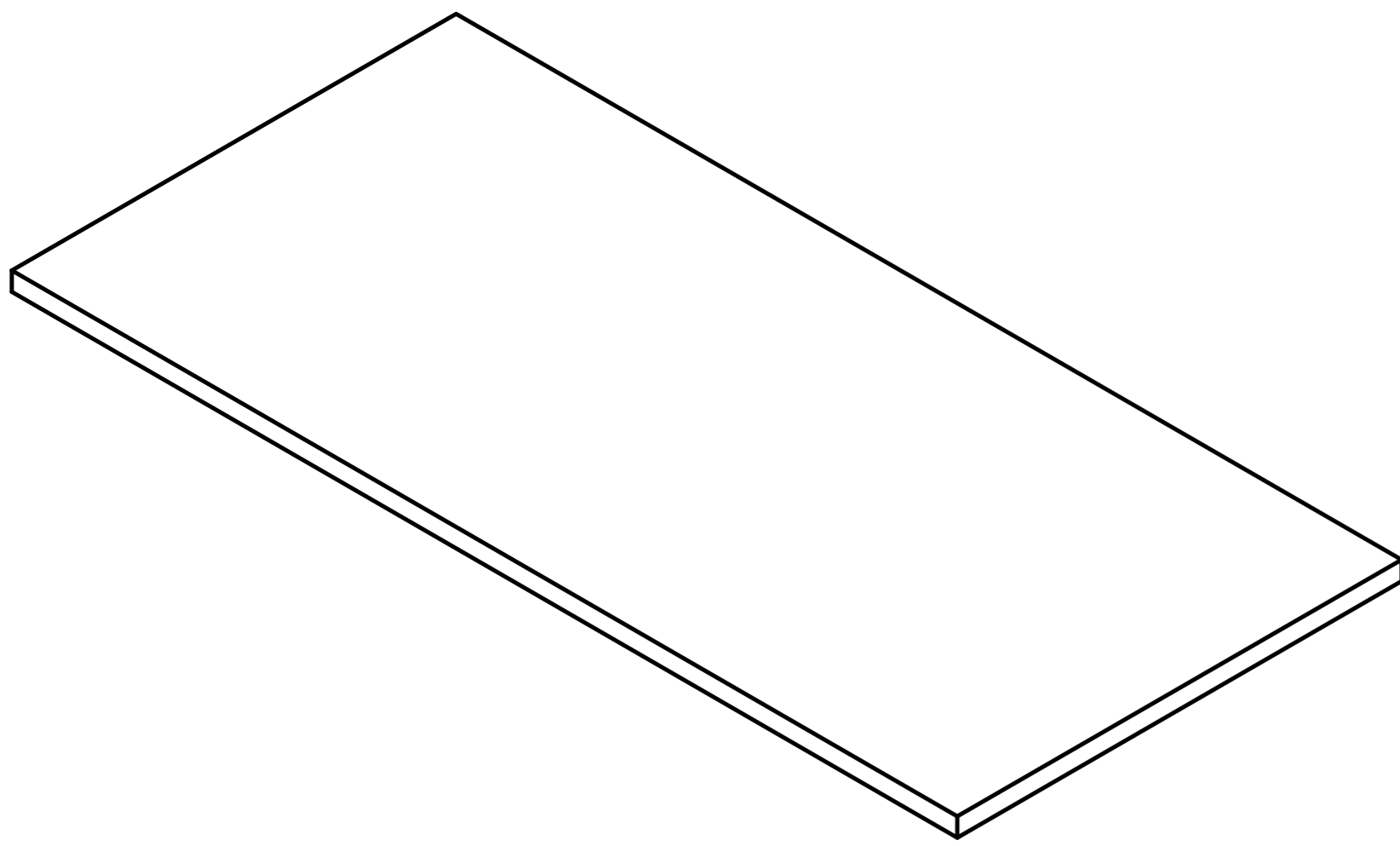




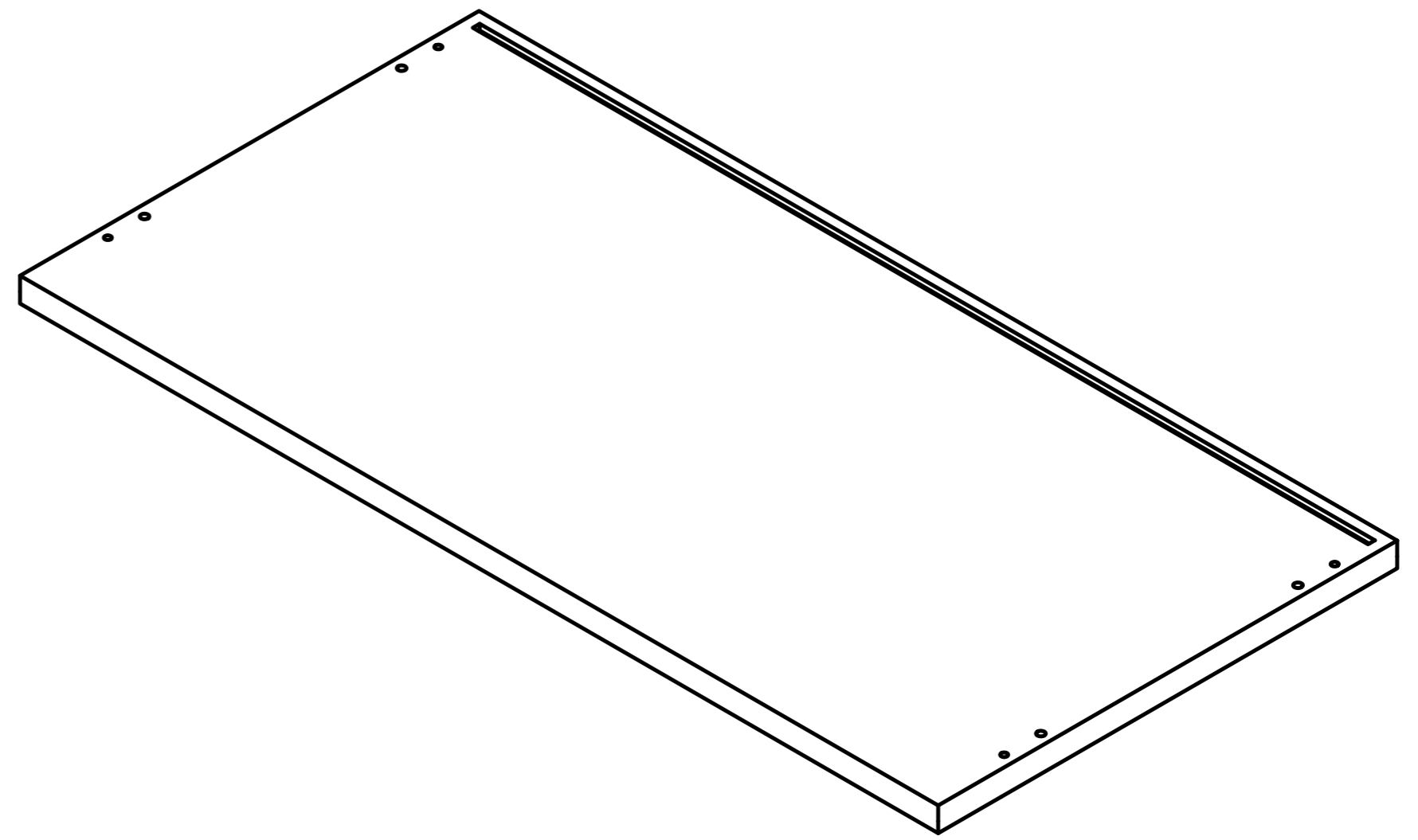
**A1x1**



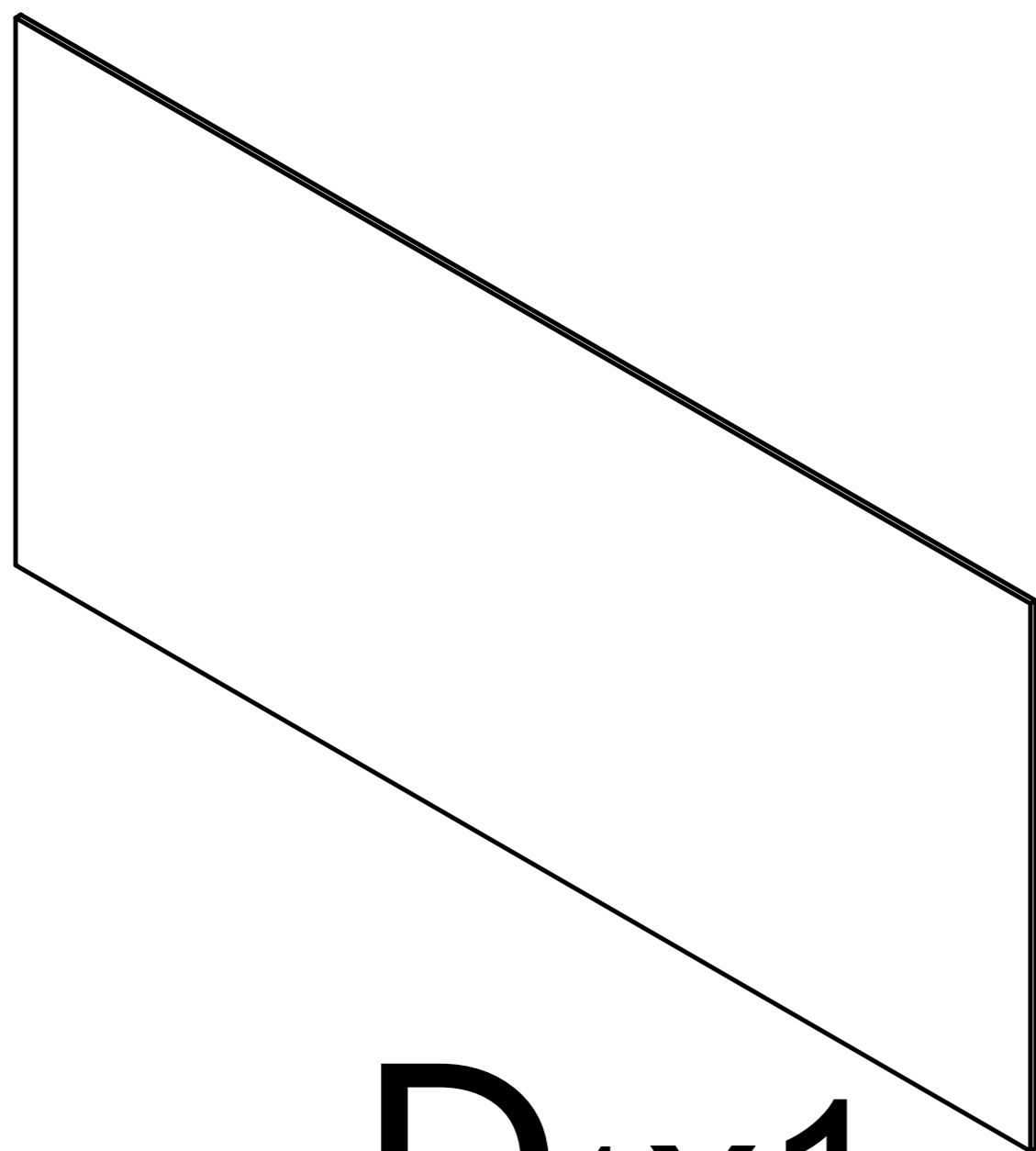
**A2x1**



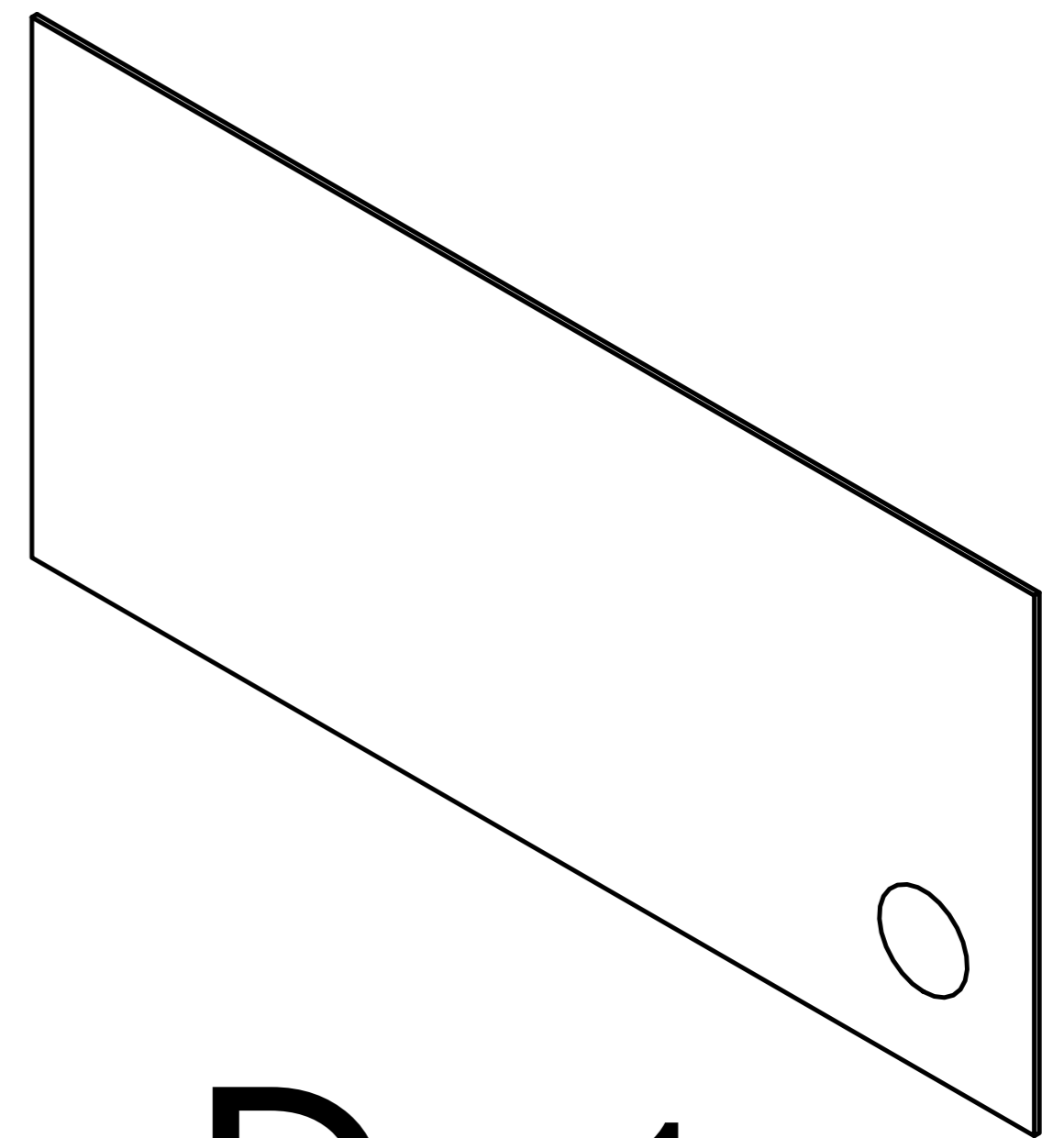
**B x1**



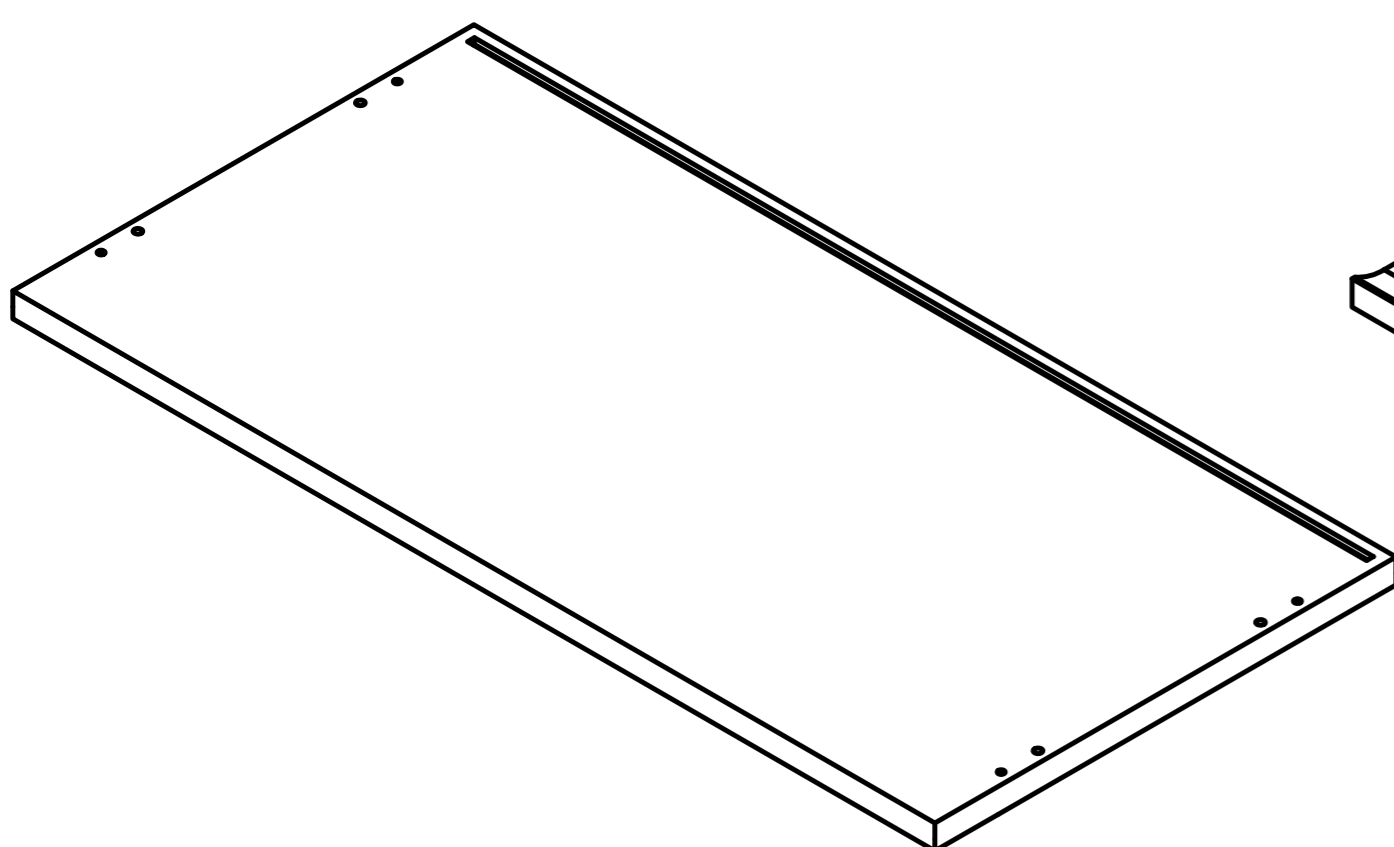
**C x1**



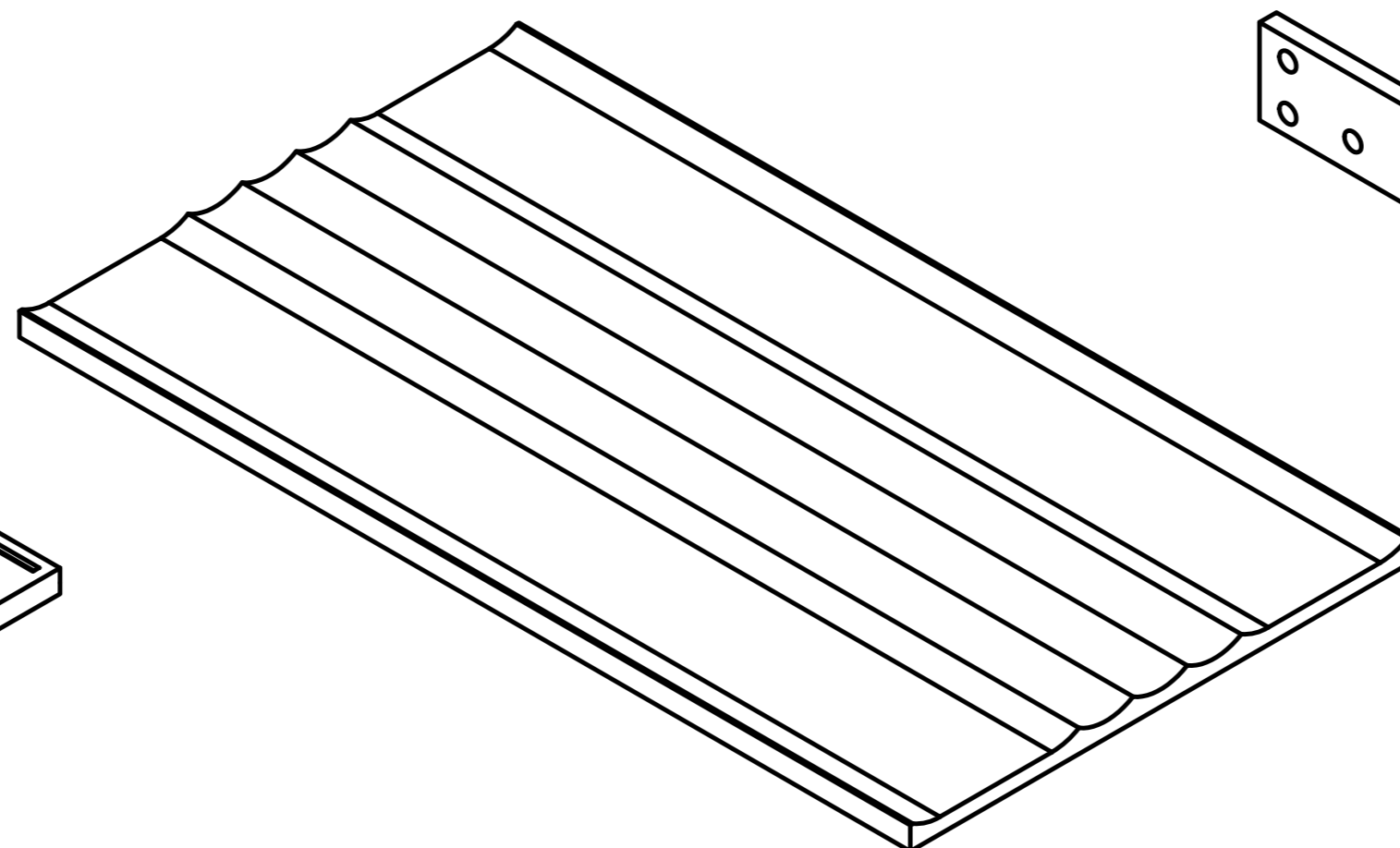
**D1x1**



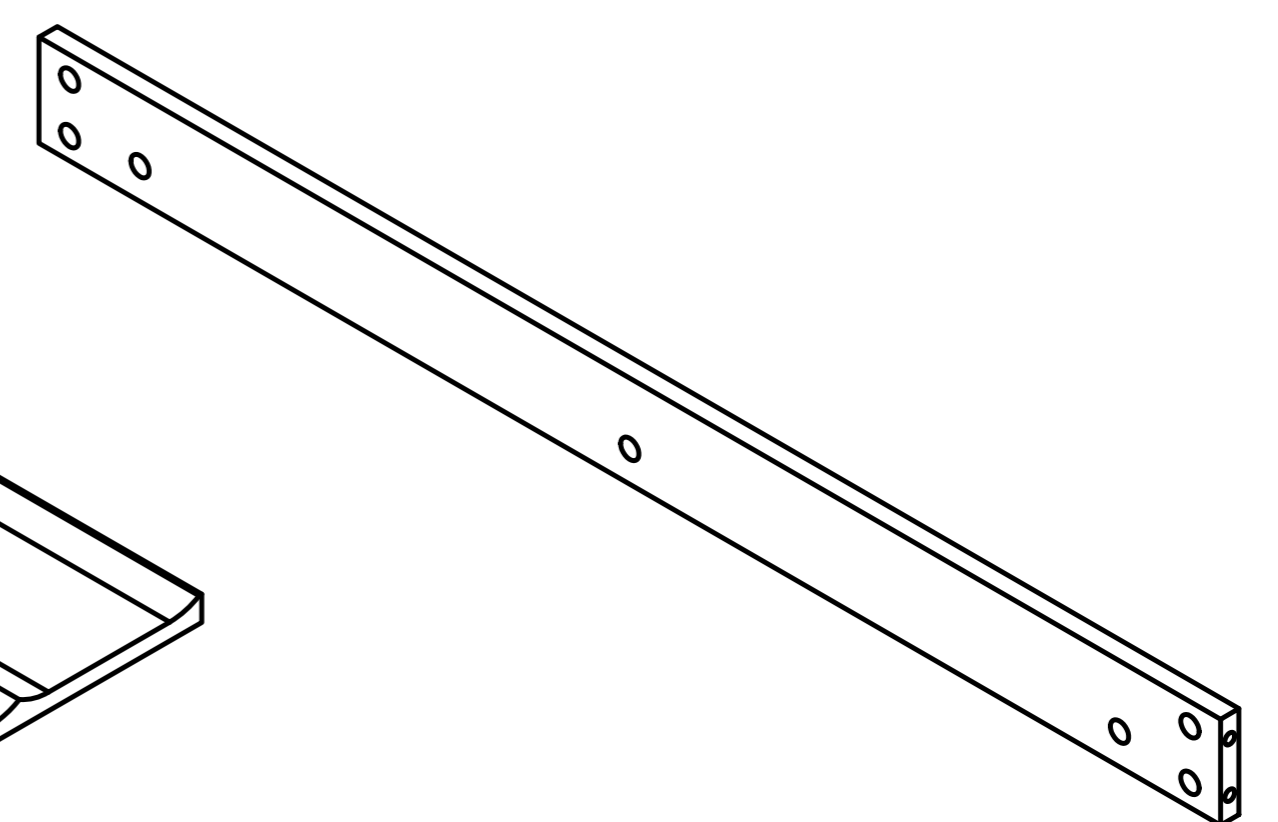
**D2x1**



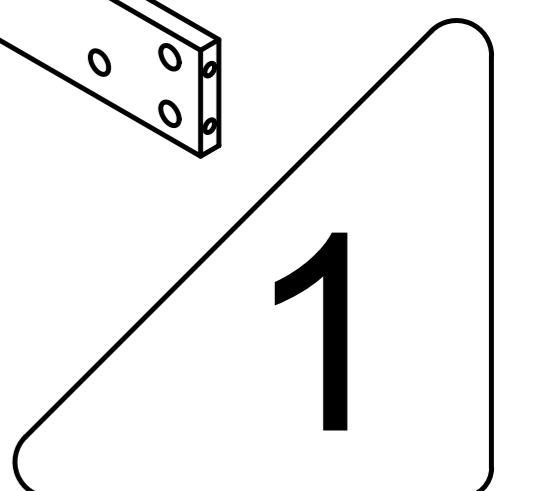
**E x1**



**Fx2**

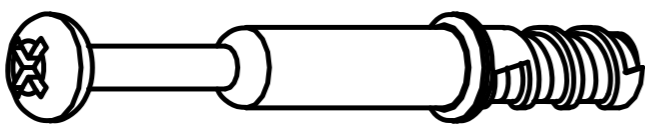
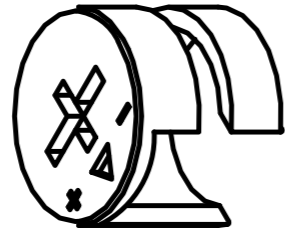
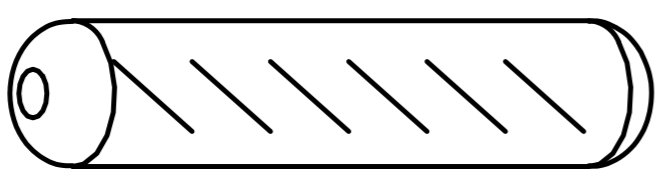
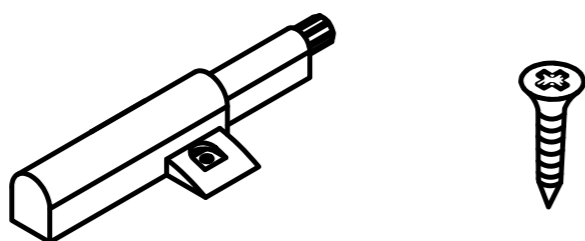
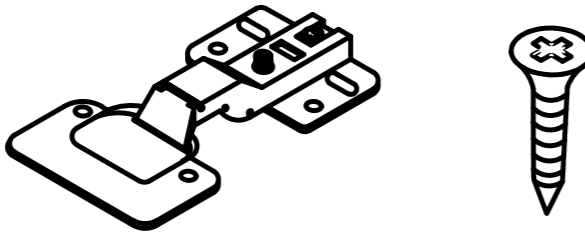
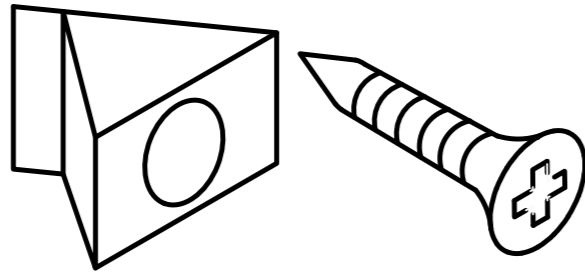

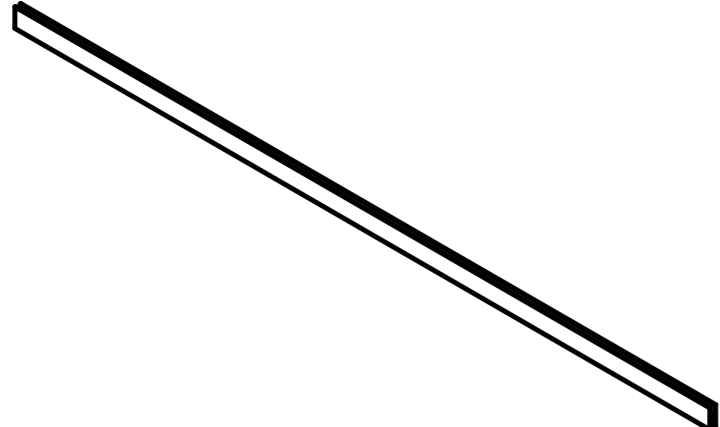
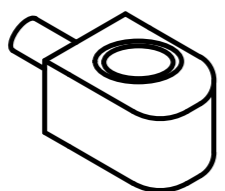


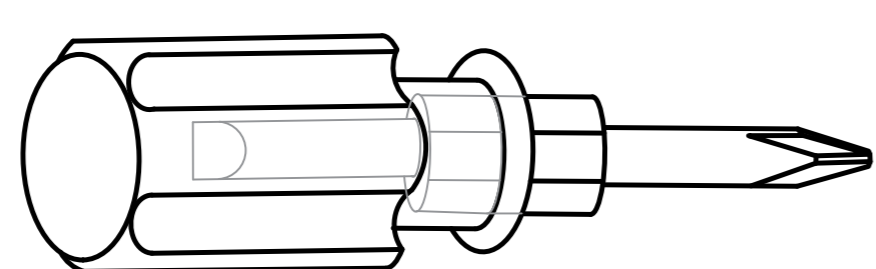
**Gx2**



**1**

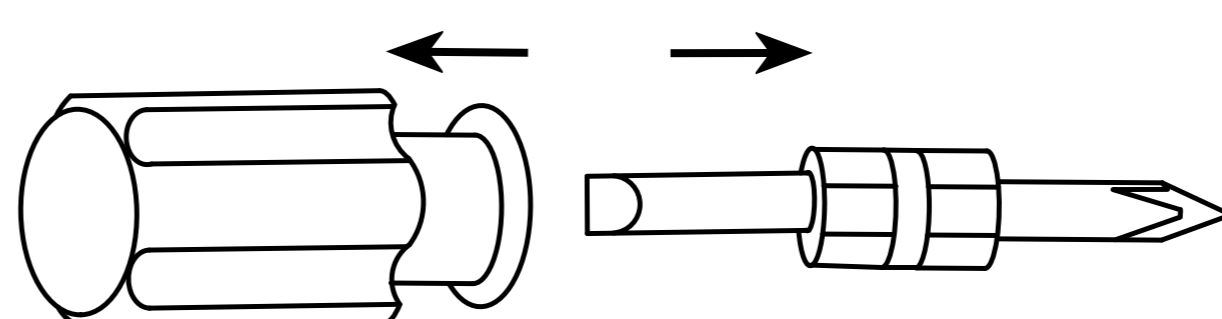
# Accessories list

①		Two In One Screw (6x28mm)	22pcs +3pcs
②		Two In One Nut (10x12mm)	22pcs +3pcs
③		Wood Chipping (6x30mm)	8pcs +2pcs
④		Cabinet door rebound device Screw (3.5x12mm)	4pcs +2pcs 2pcs
⑤		Hinge & Screw (3.5x12mm)	24pcs +2pcs 4pcs
⑥		Fixing clip & screw (3x16mm)	8pcs +2pcs
⑦		Non-slip pads (35x35x2mm)	4pcs +2pcs
⑧		Backboard card strip	1pcs
⑨		Laminate Support Nail	4pcs +1pcs



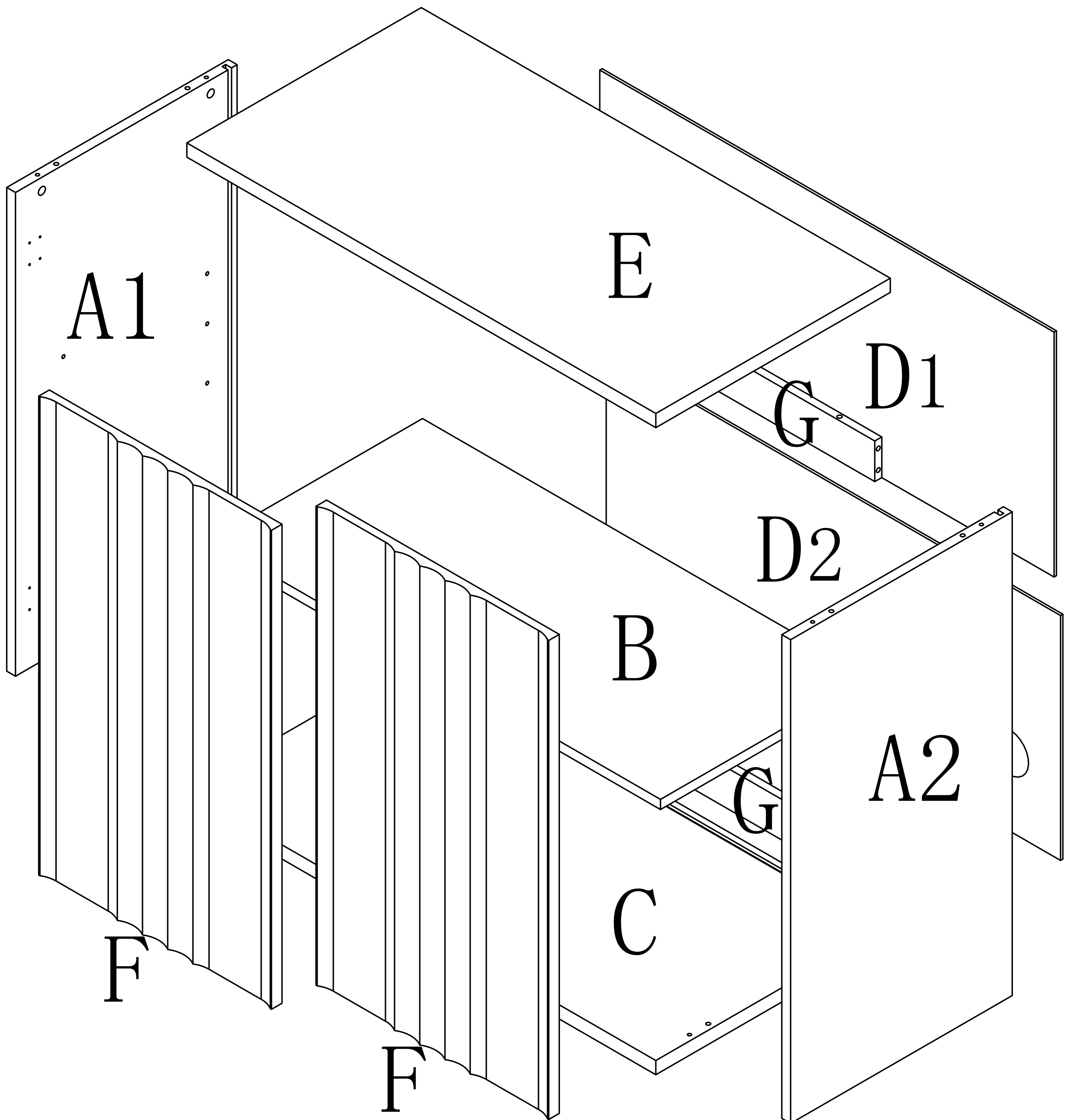
1pcs

Double-head screwdriver, use as required



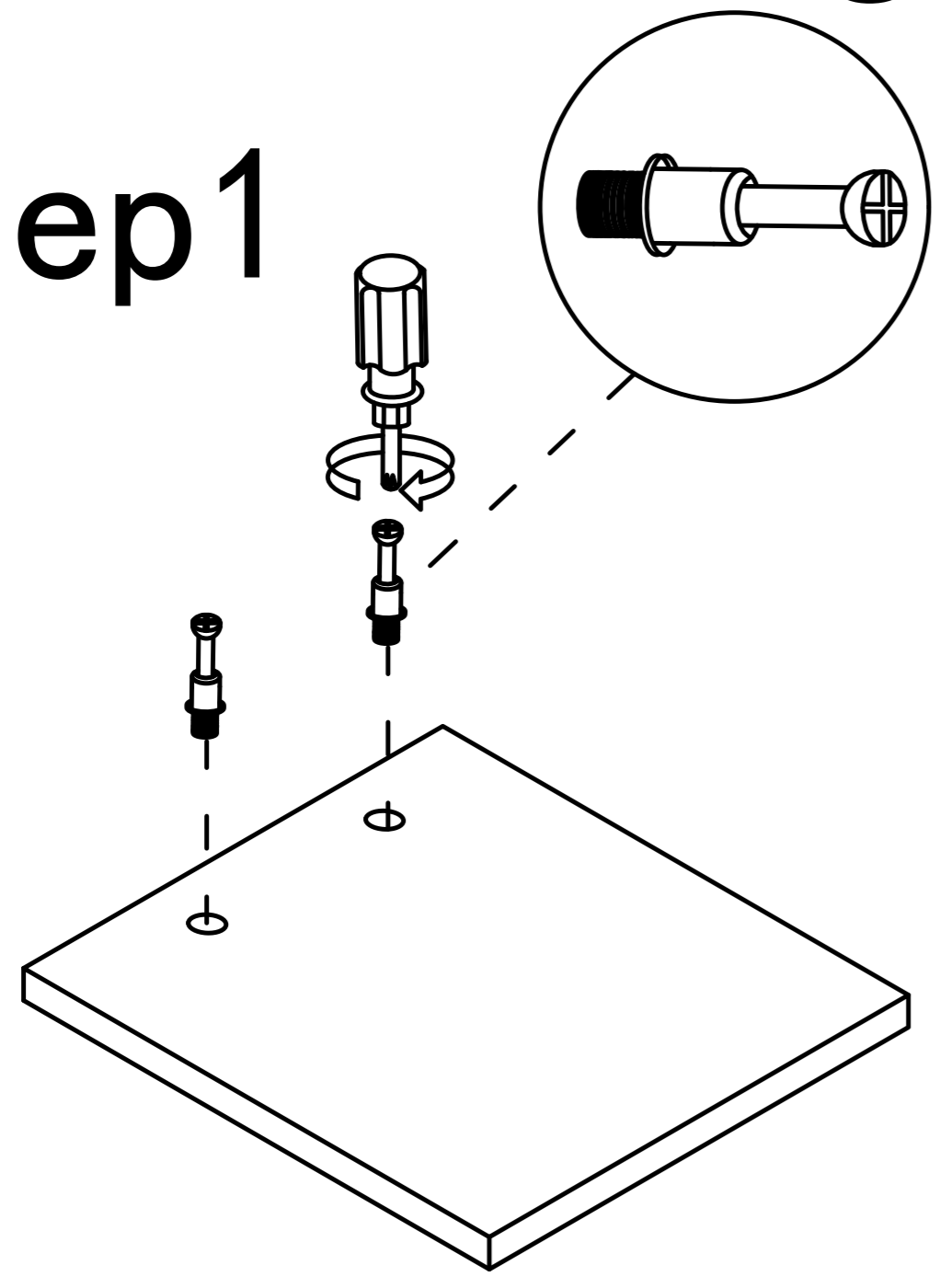
2

# Product structure decomposition

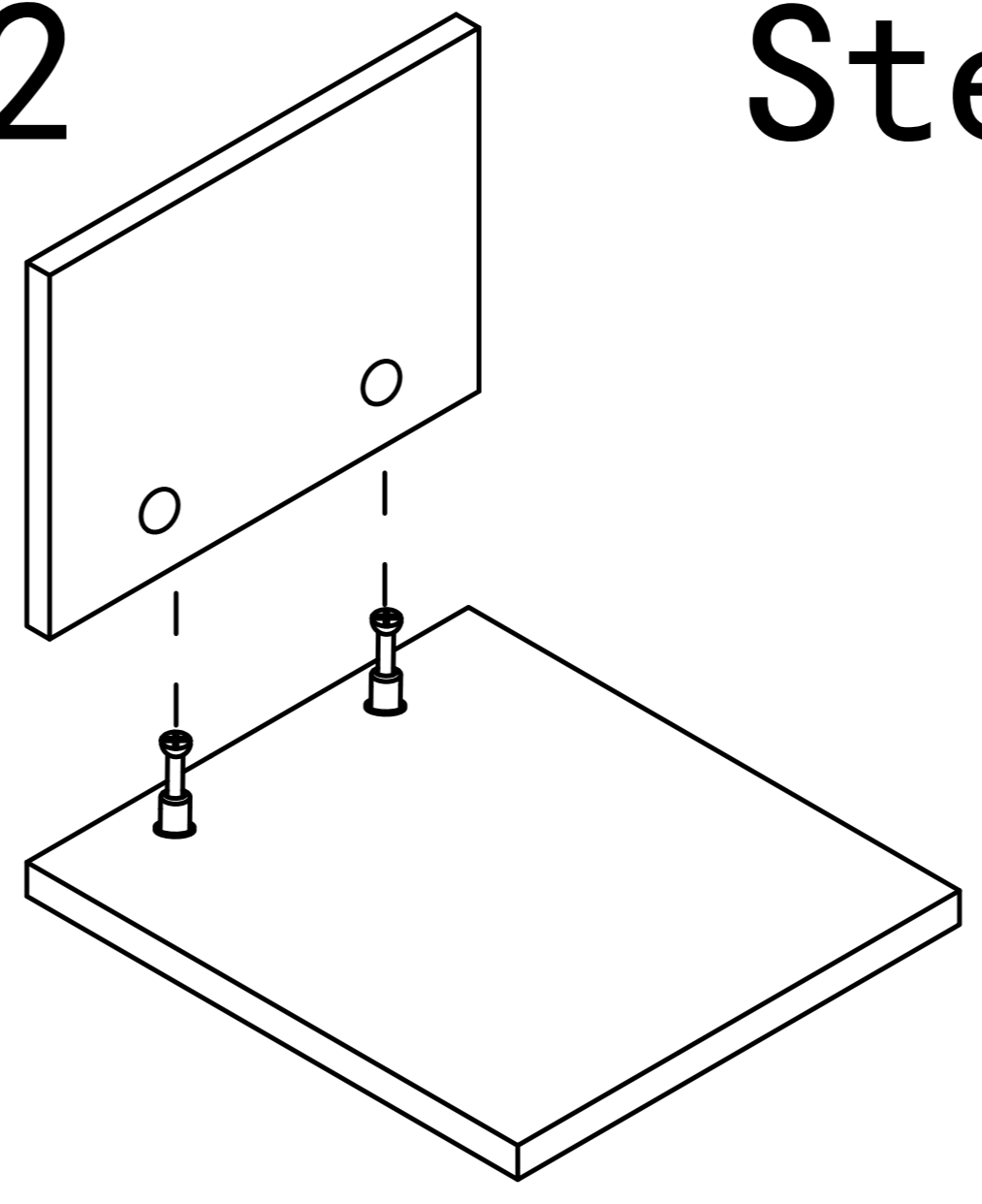


# Use parts ① and ②

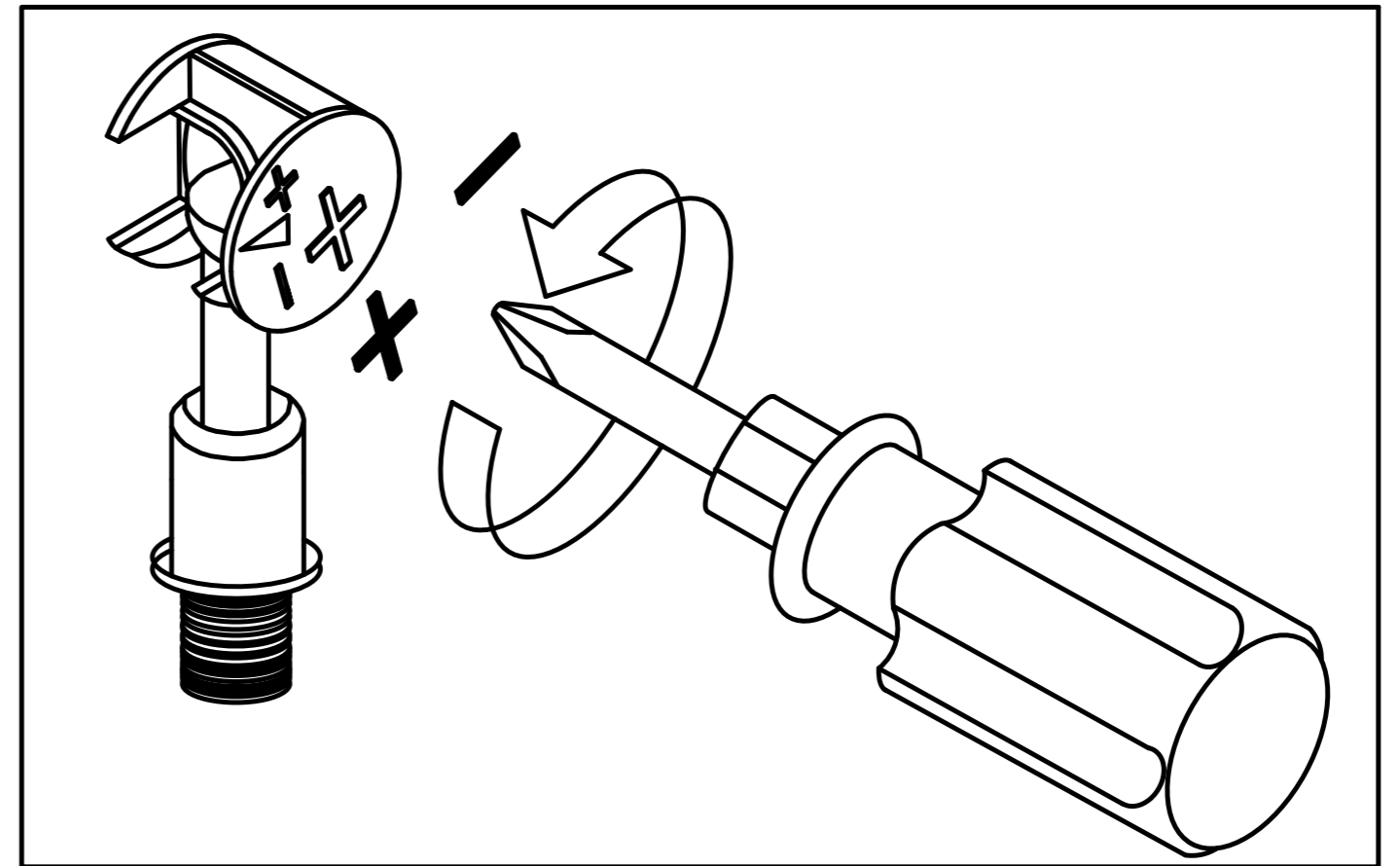
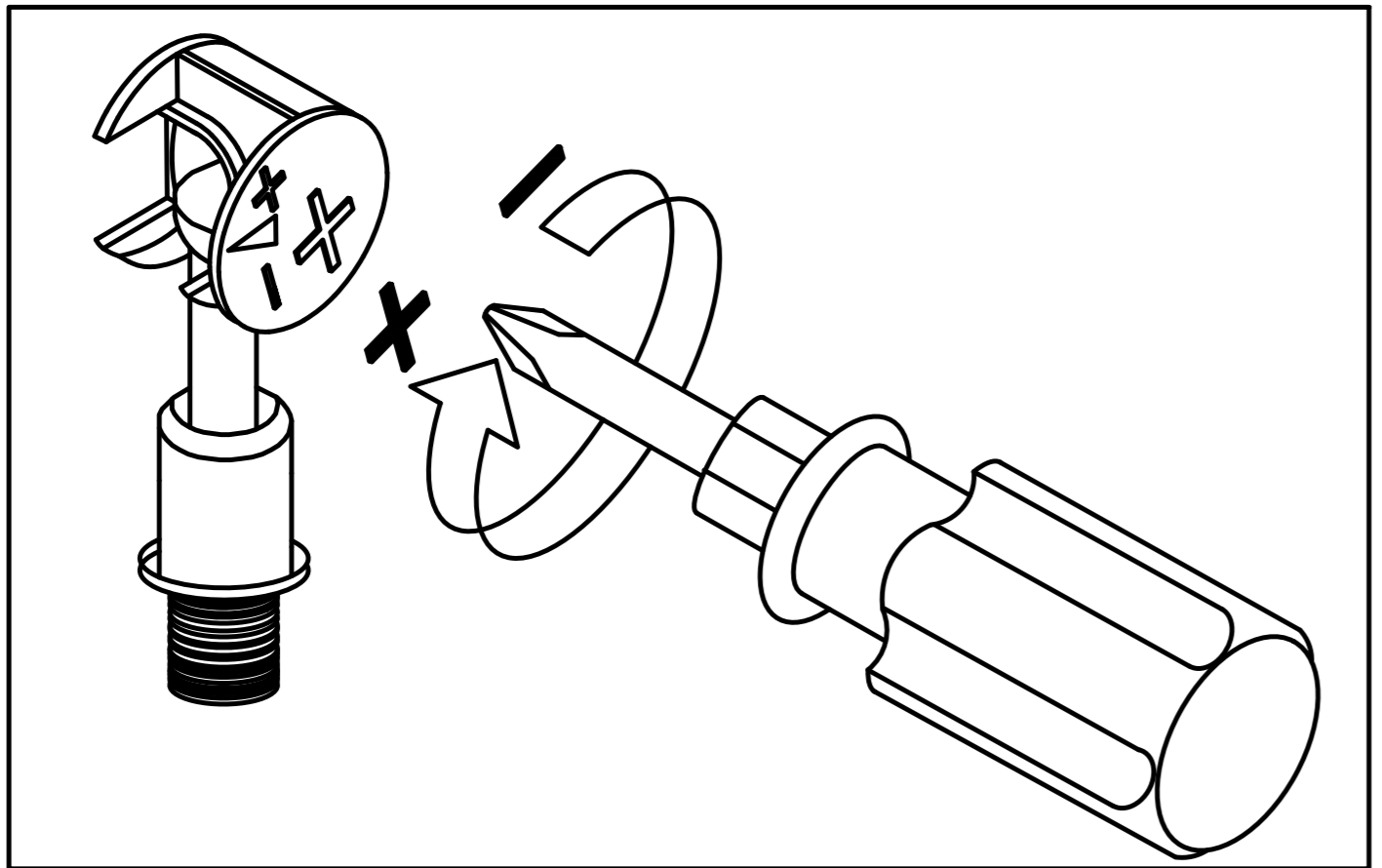
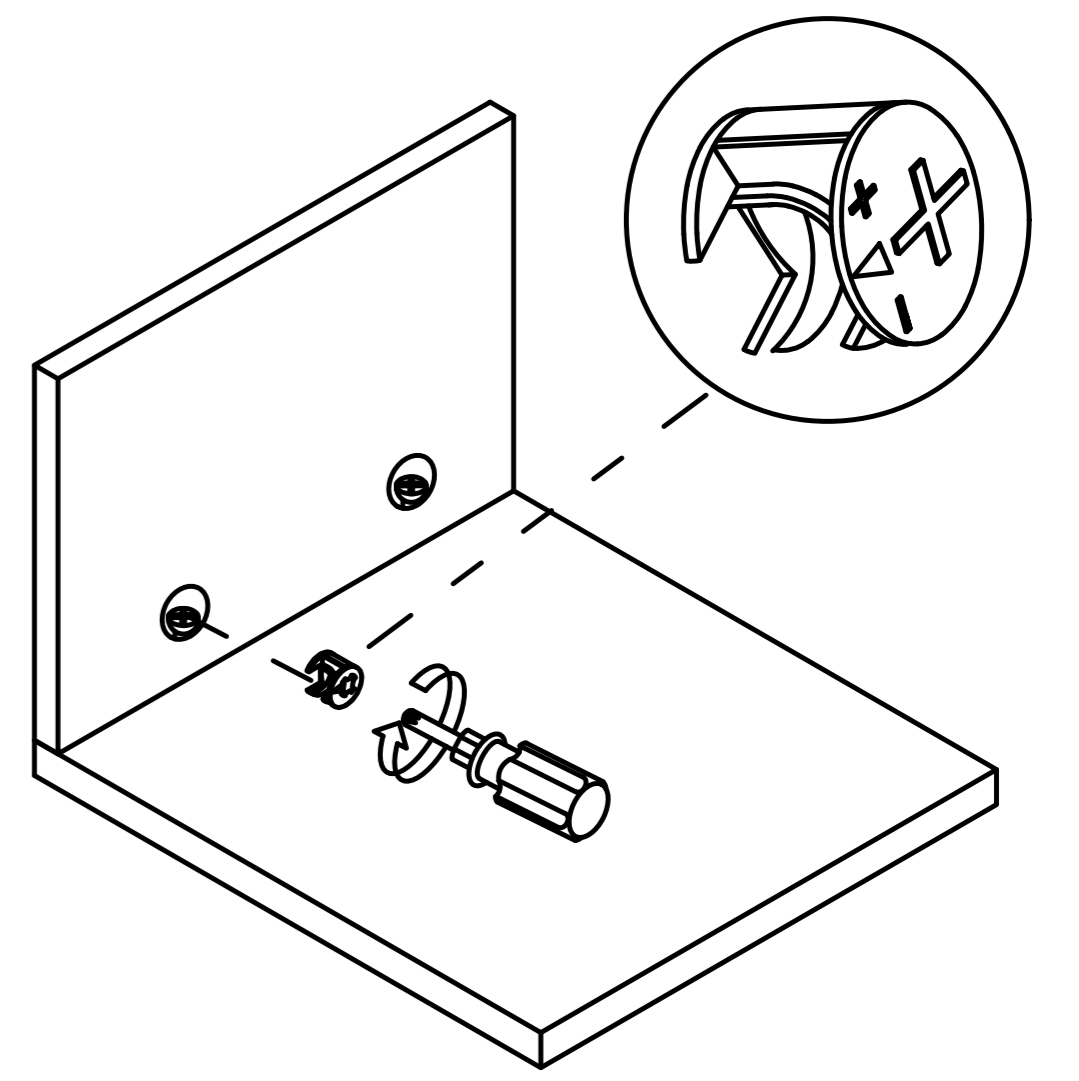
Step 1



Step 2



Step 3

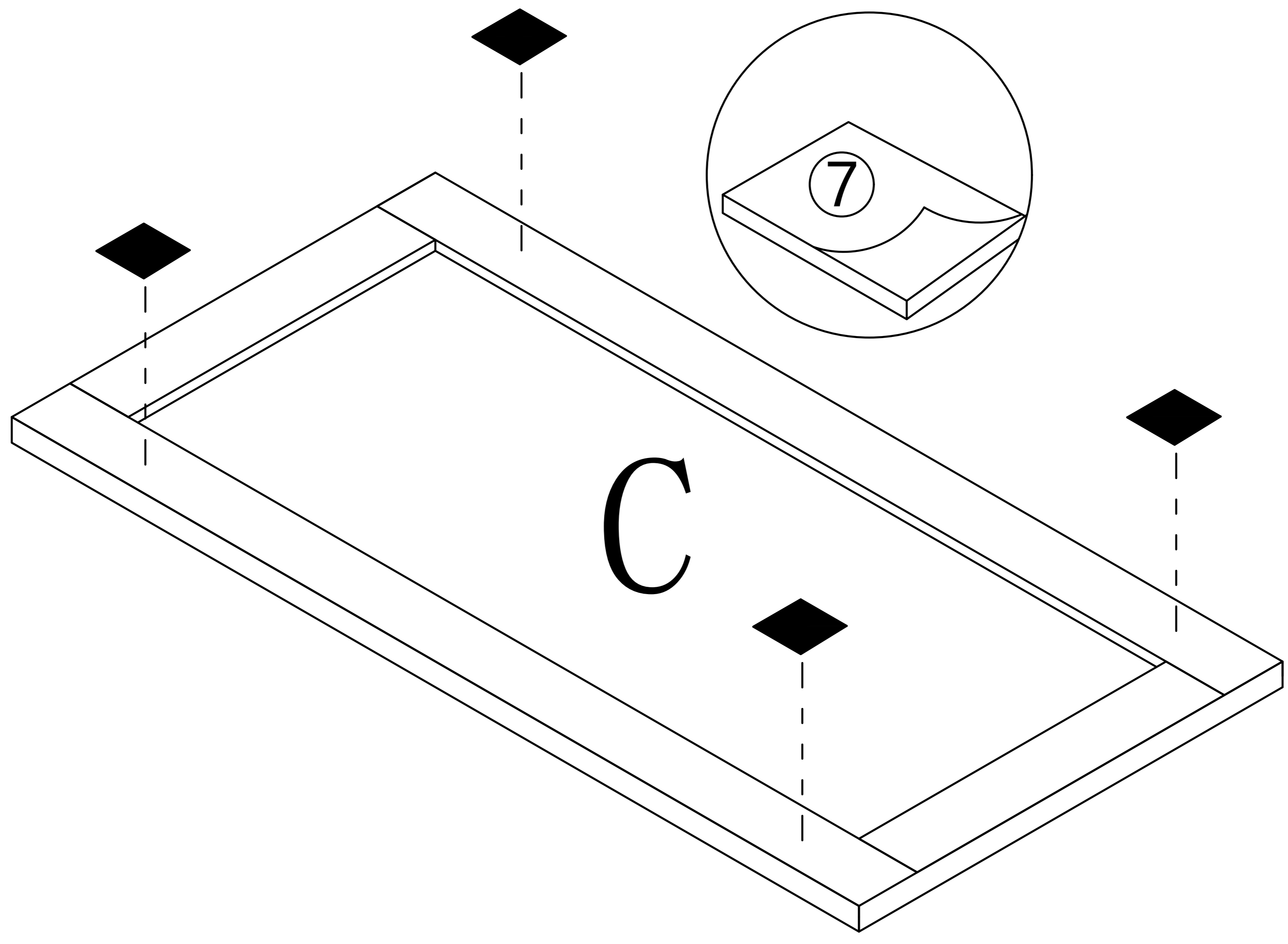
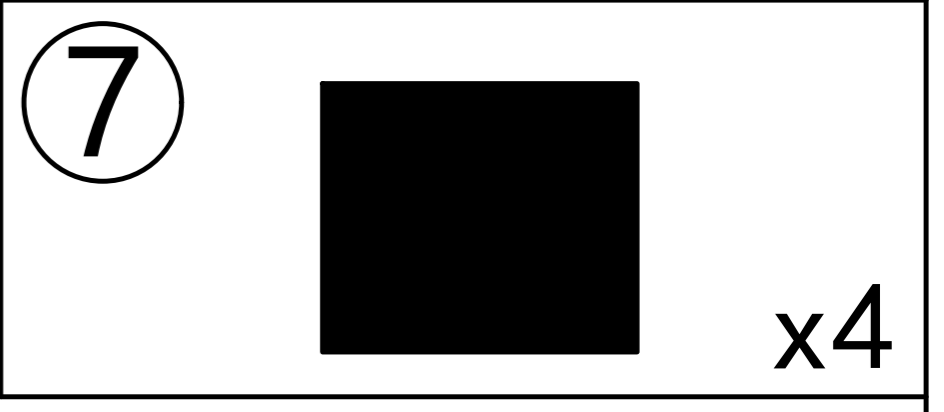


Use a screwdriver to lock in the direction of the "+" sign

Disassemble along the direction of "-" sign

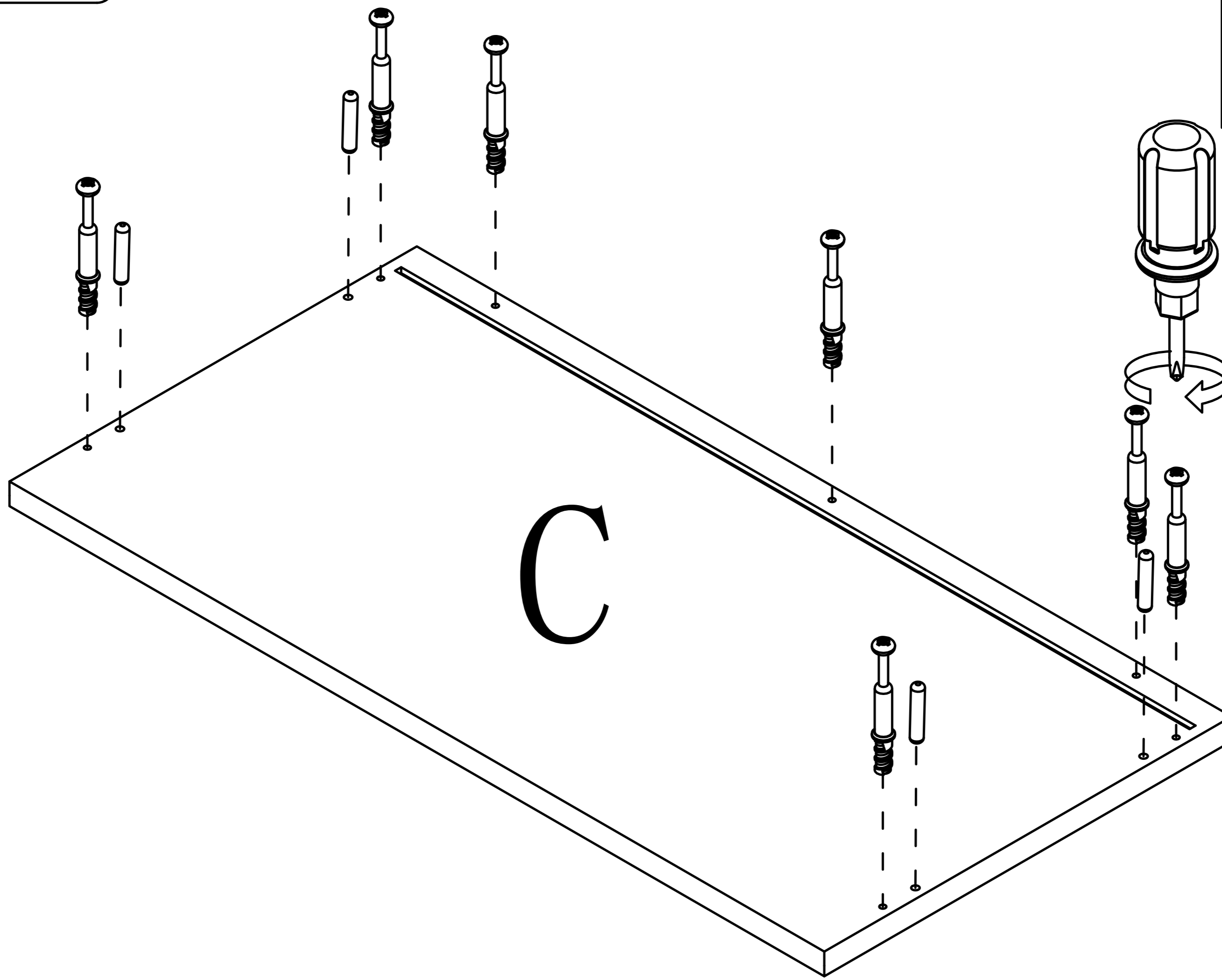
Step 1

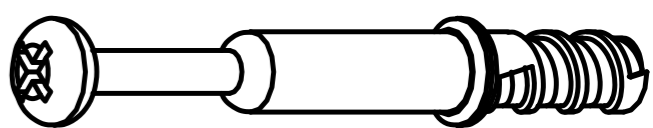
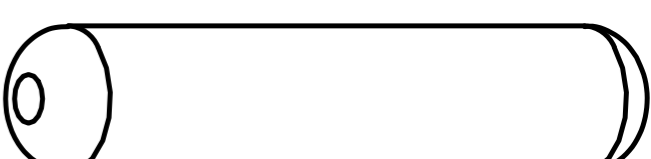
Tear off the protective film before installation



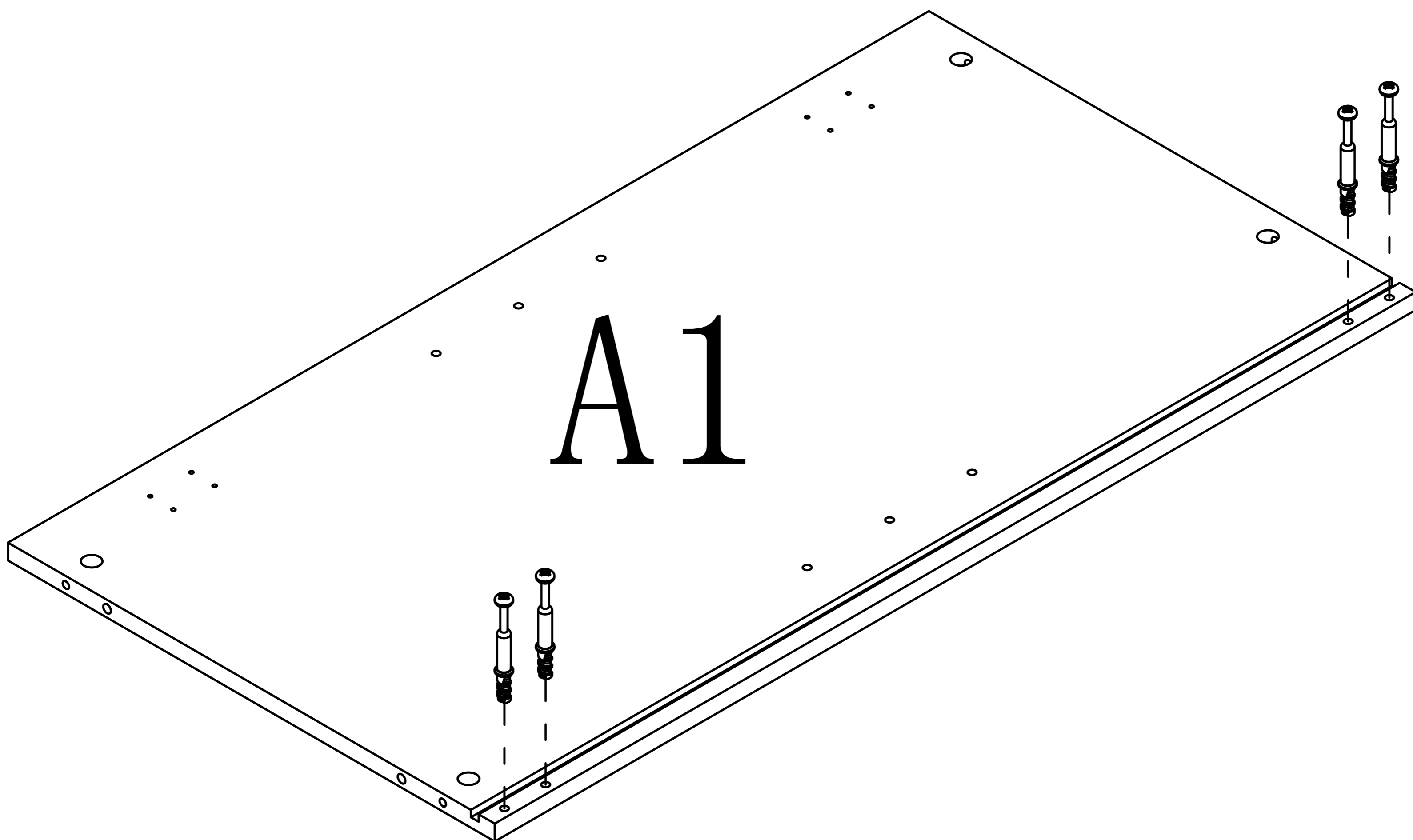
4

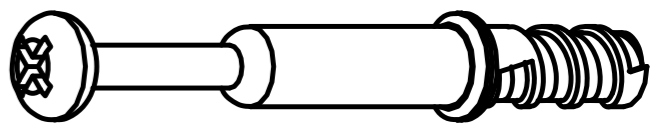
Step 2



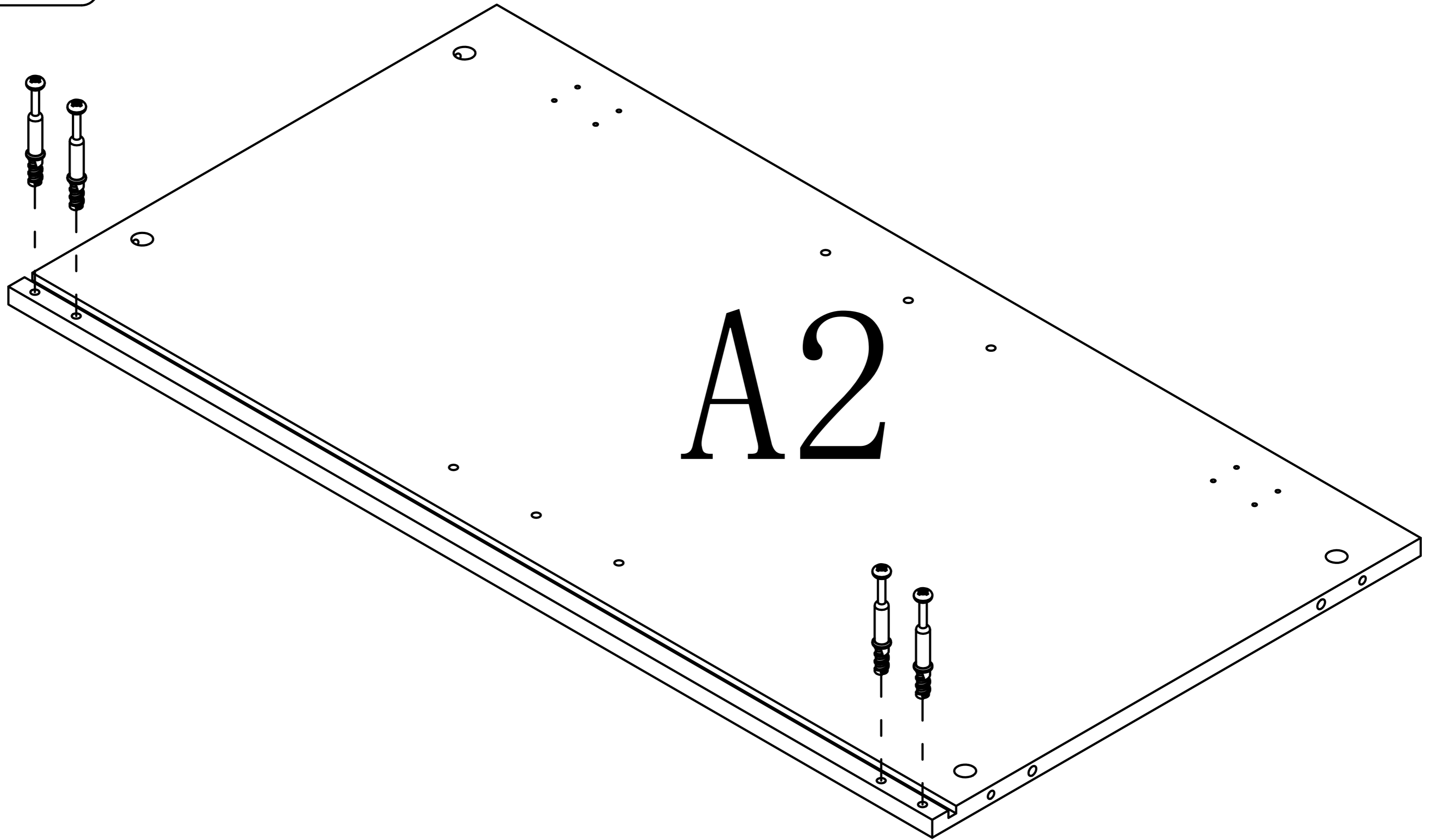
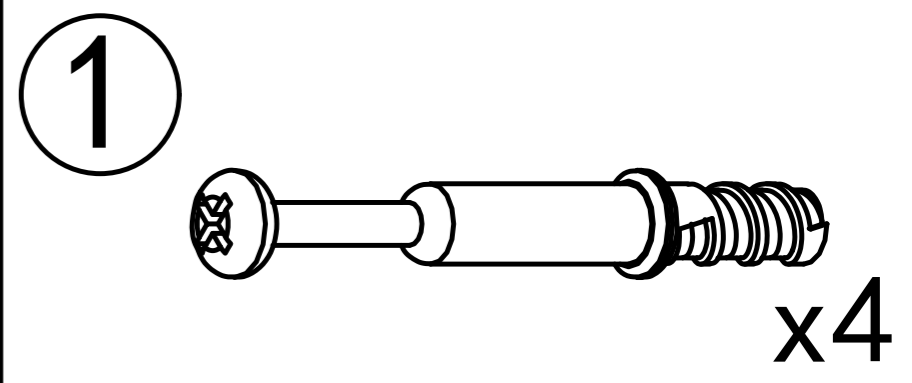
- 1  x7
- 3  x4

Step 3

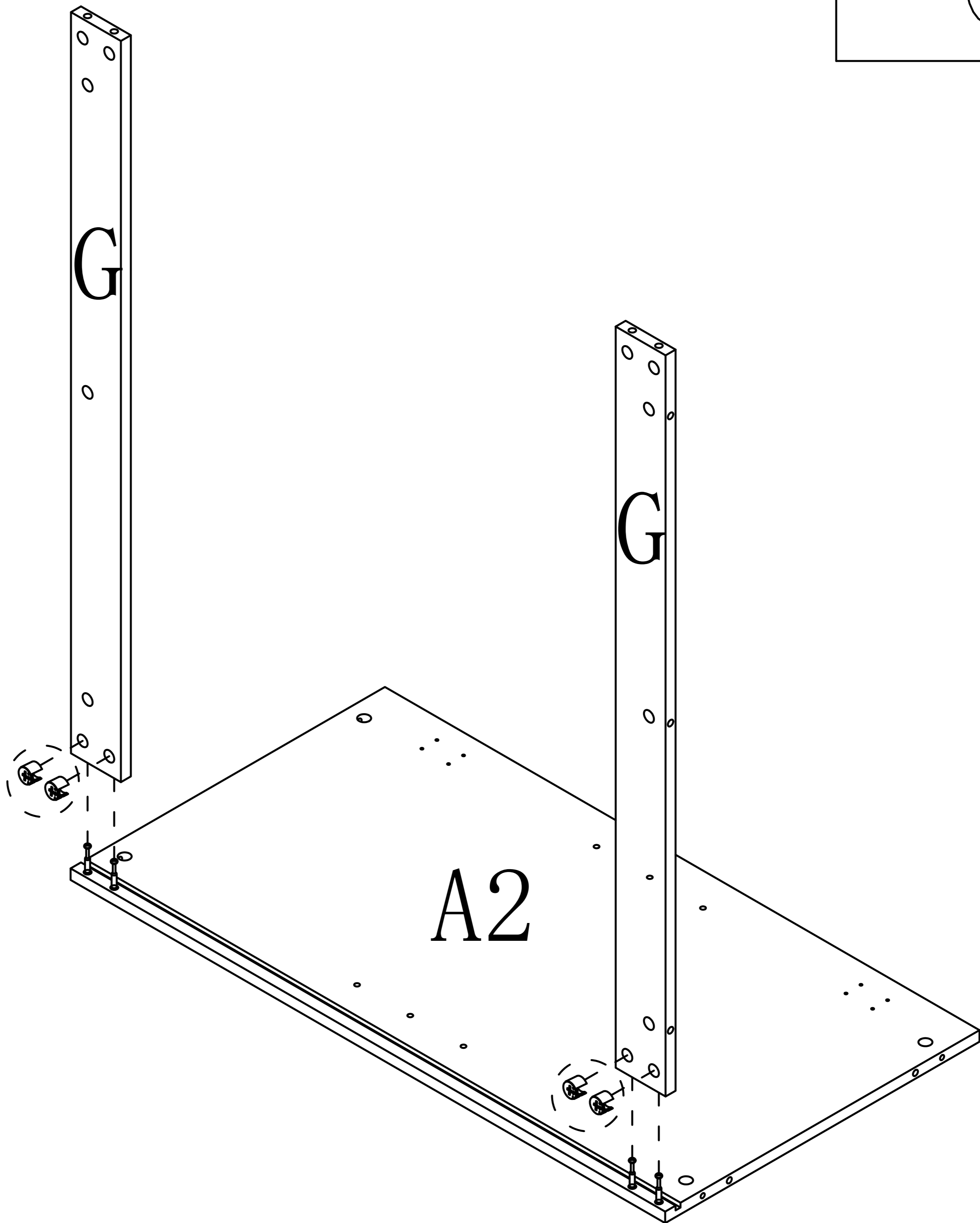
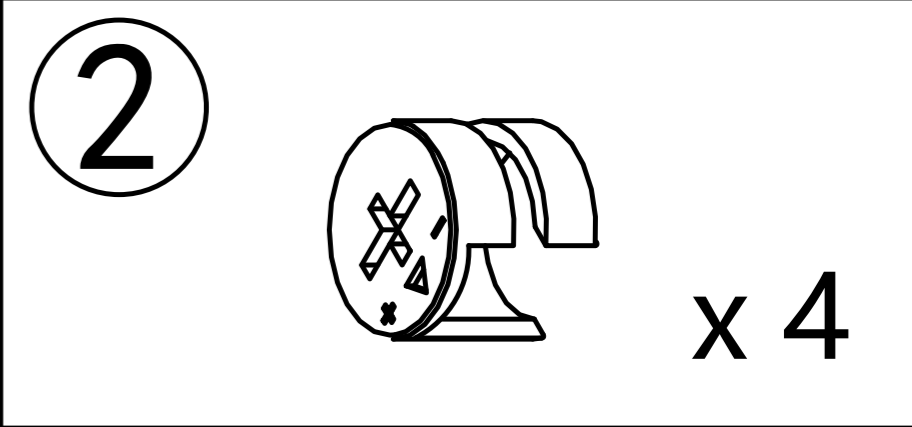


- 1  x4

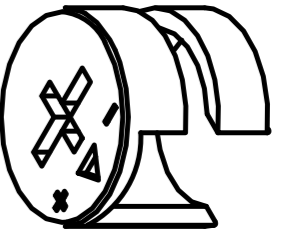
Step 4

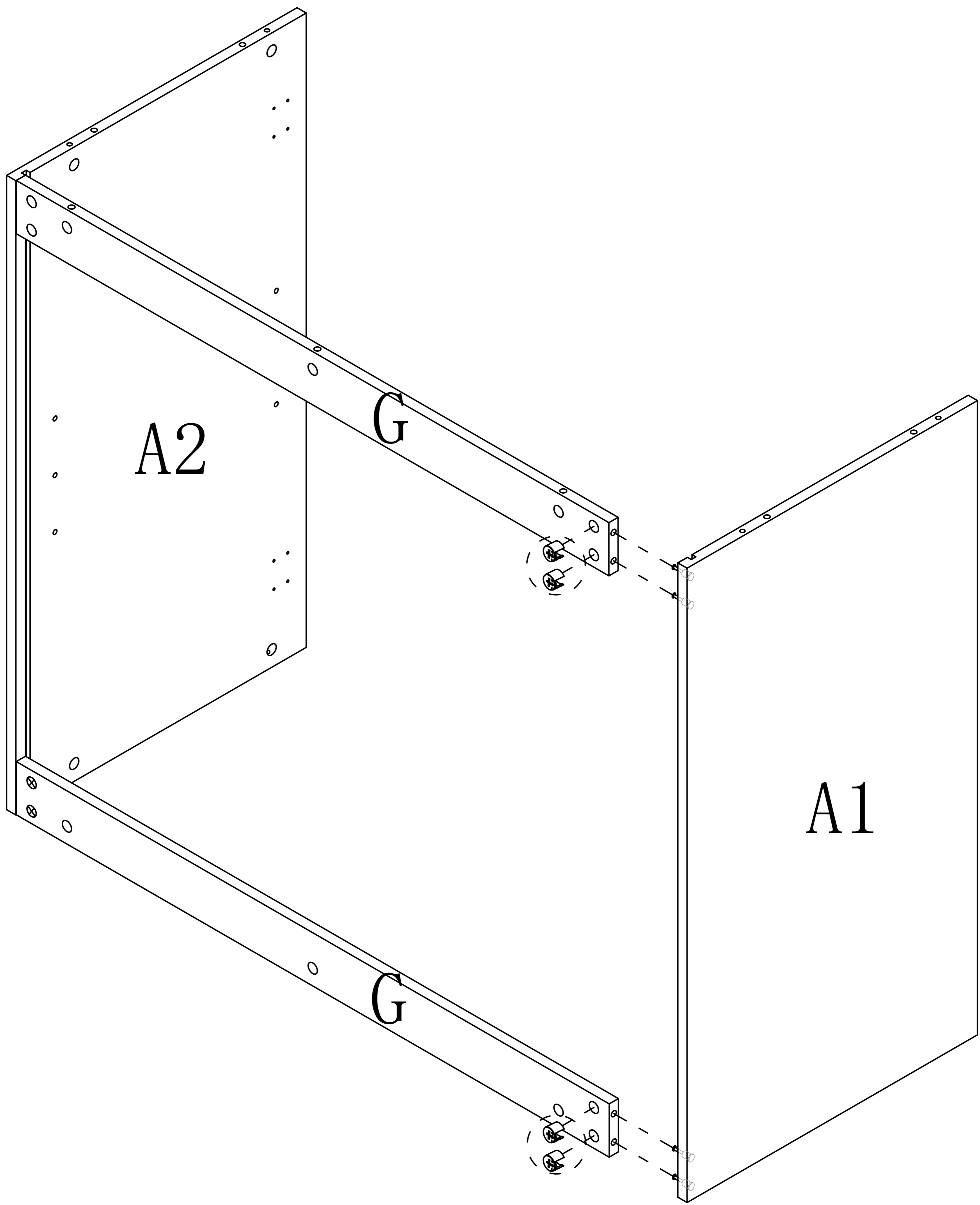


Step 5

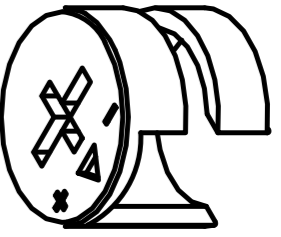


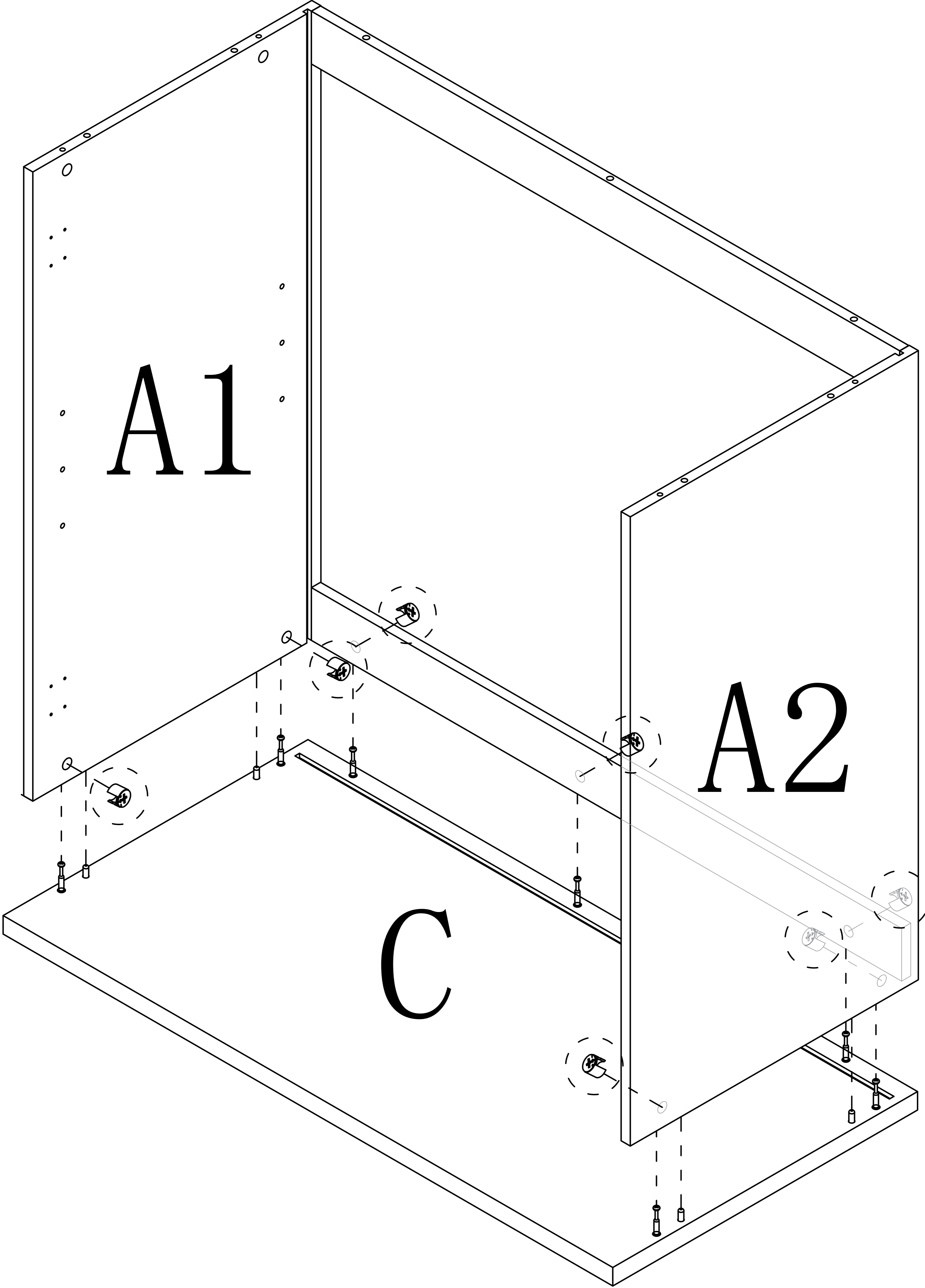
Step 6

2  x 4




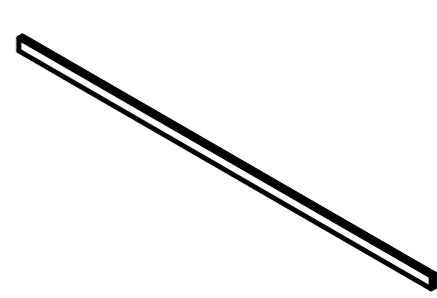
Step 7

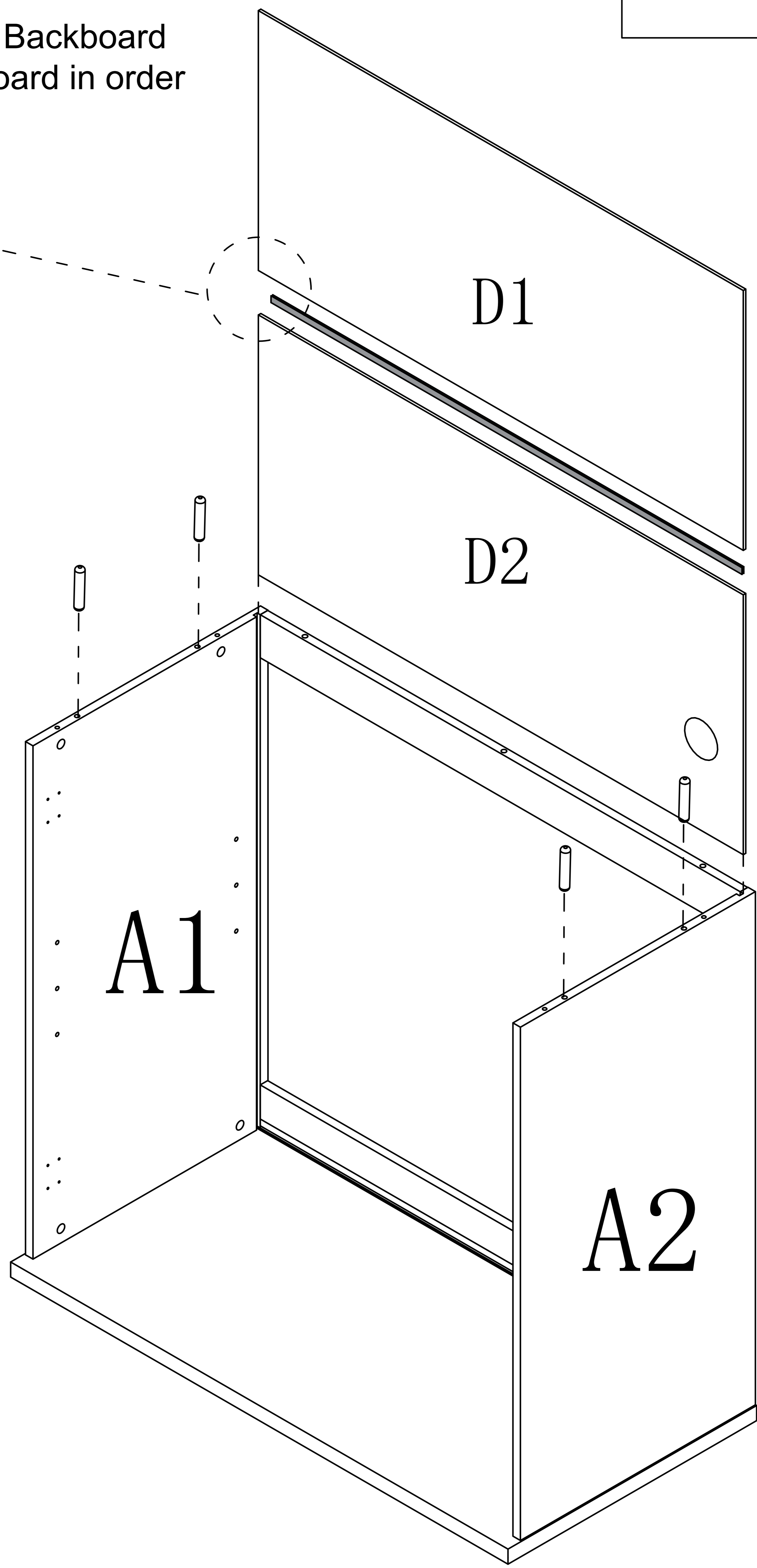
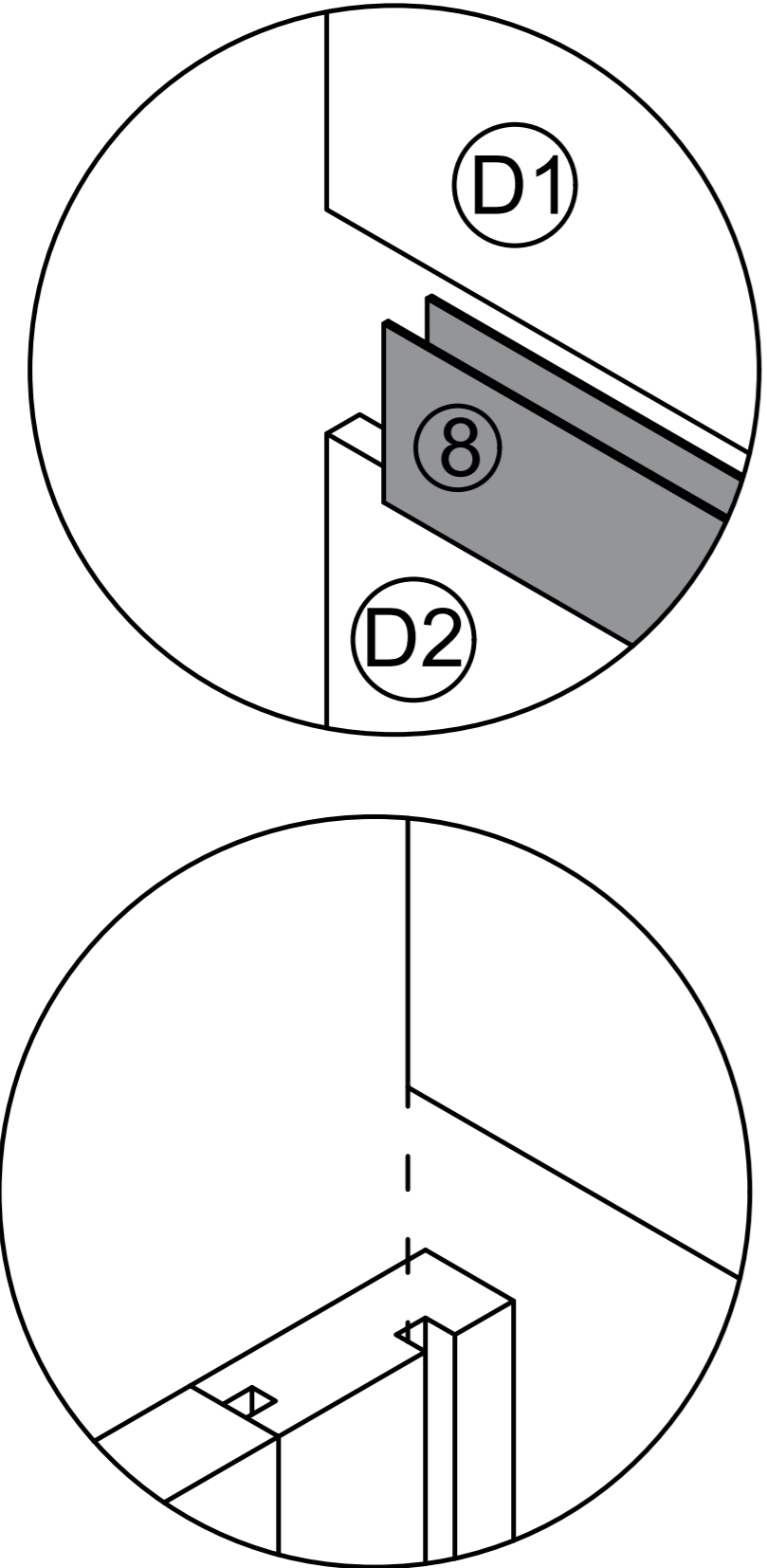
2  x 7



# Step 8

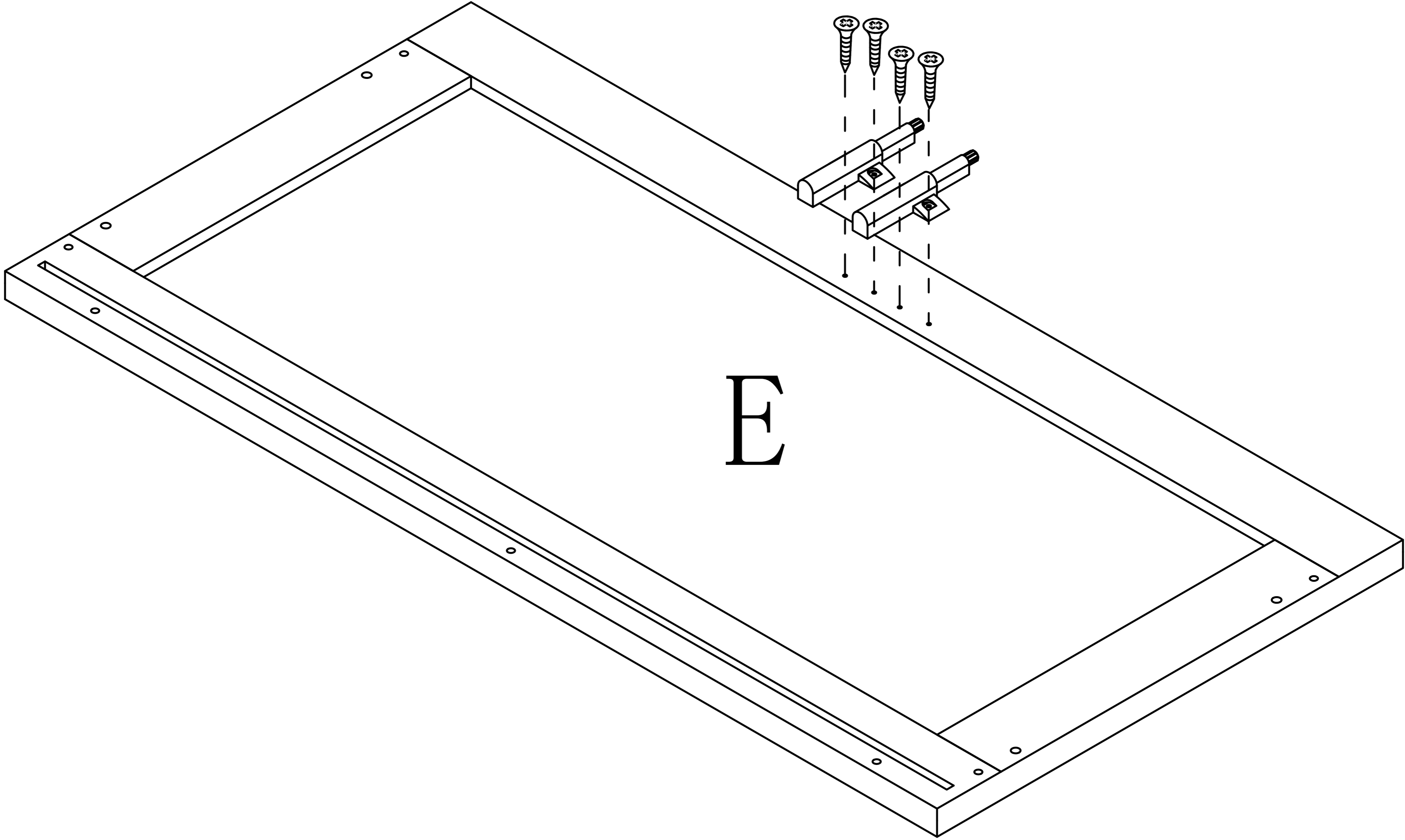
Place the "D1" board, Backboard card strip, and "D2" board in order

③		x4
⑧		x1



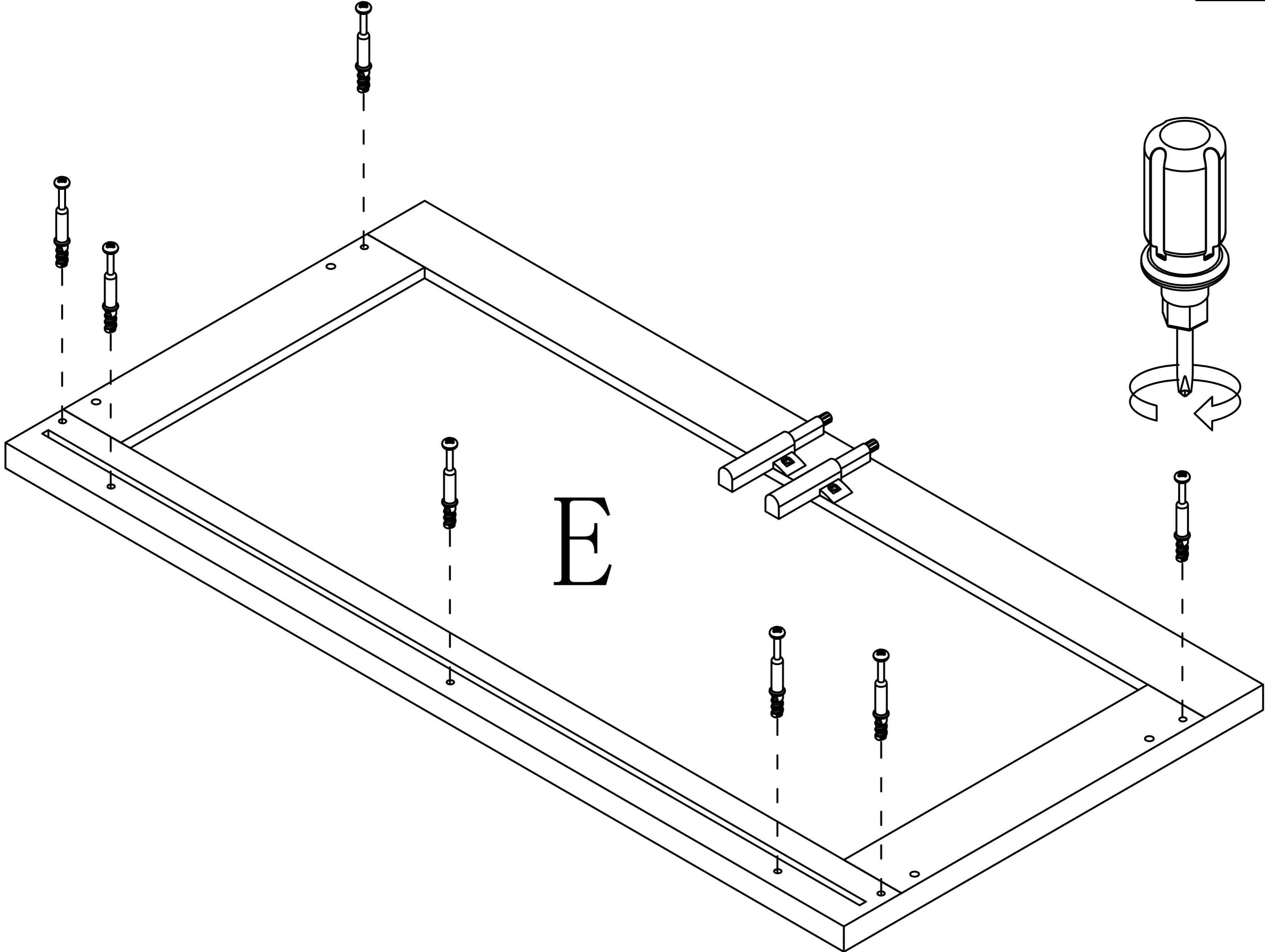
Step 9

4  
x2      x4



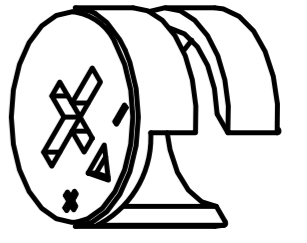
Step 10

1  
x7

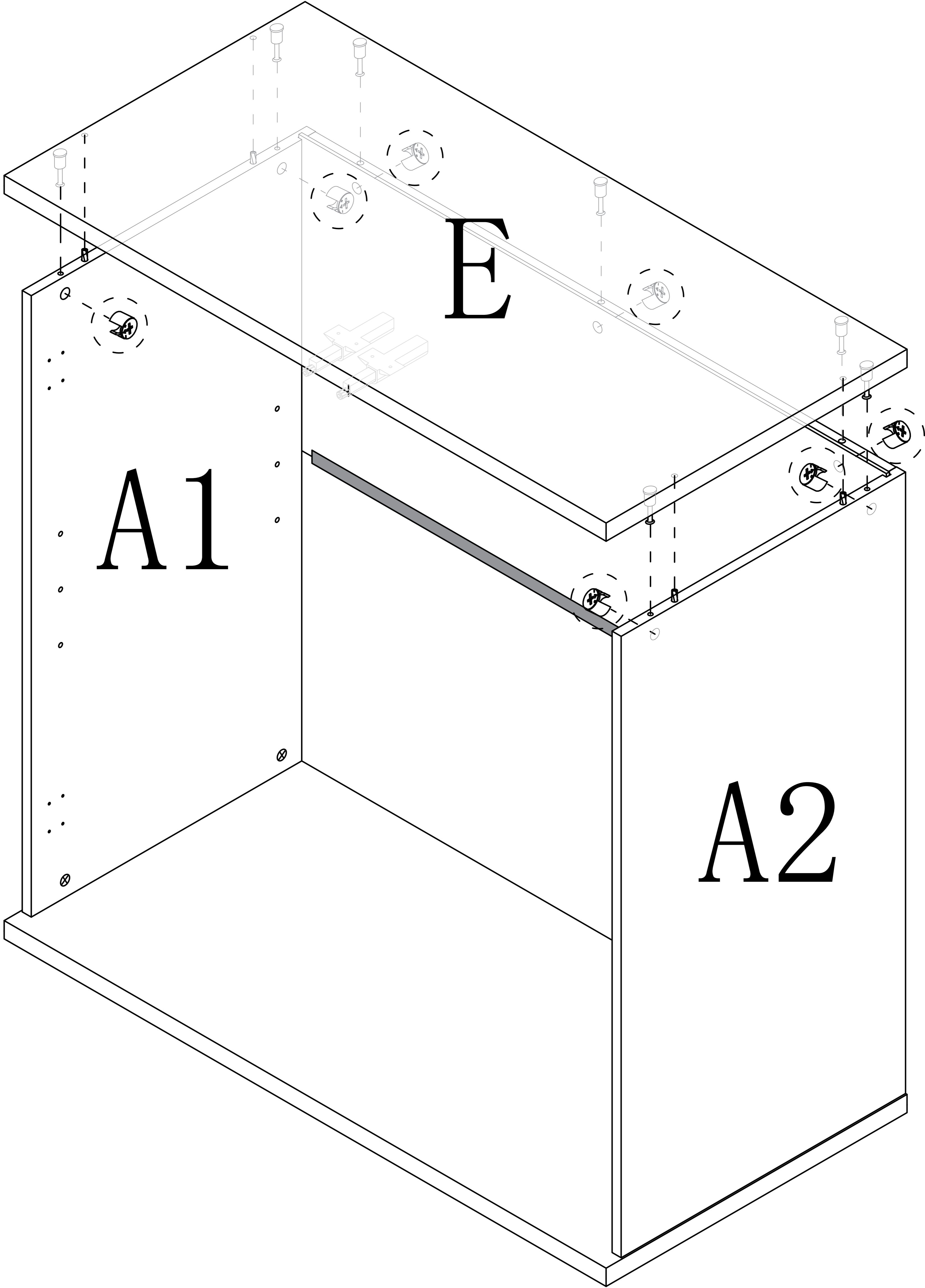


Step 11

2

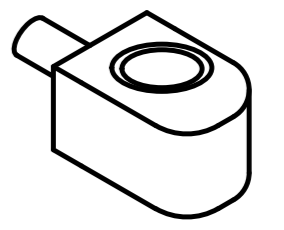


x 7

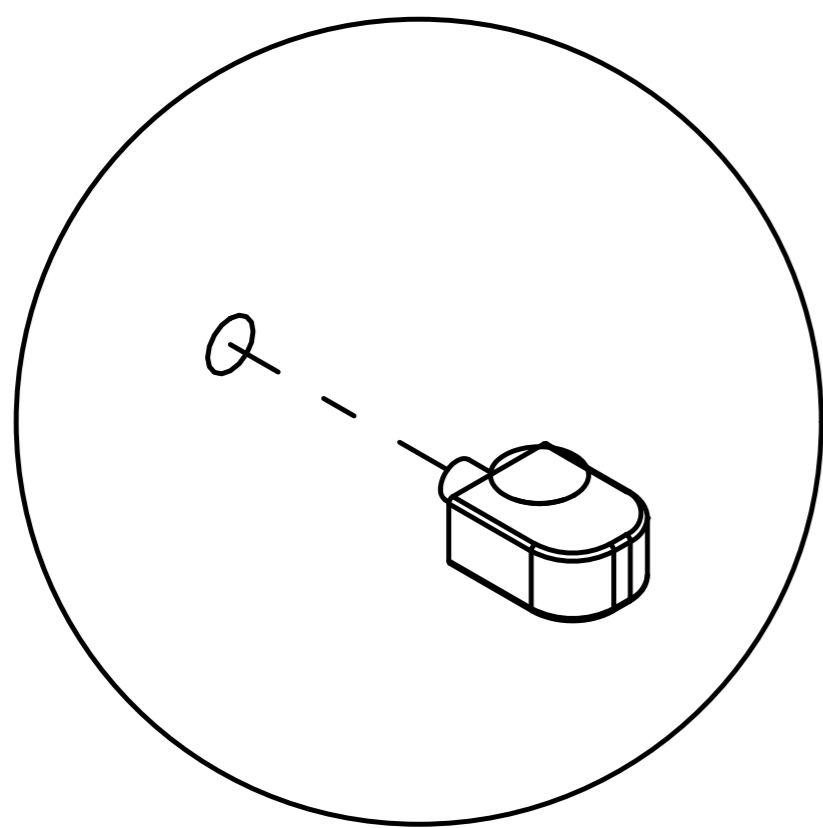
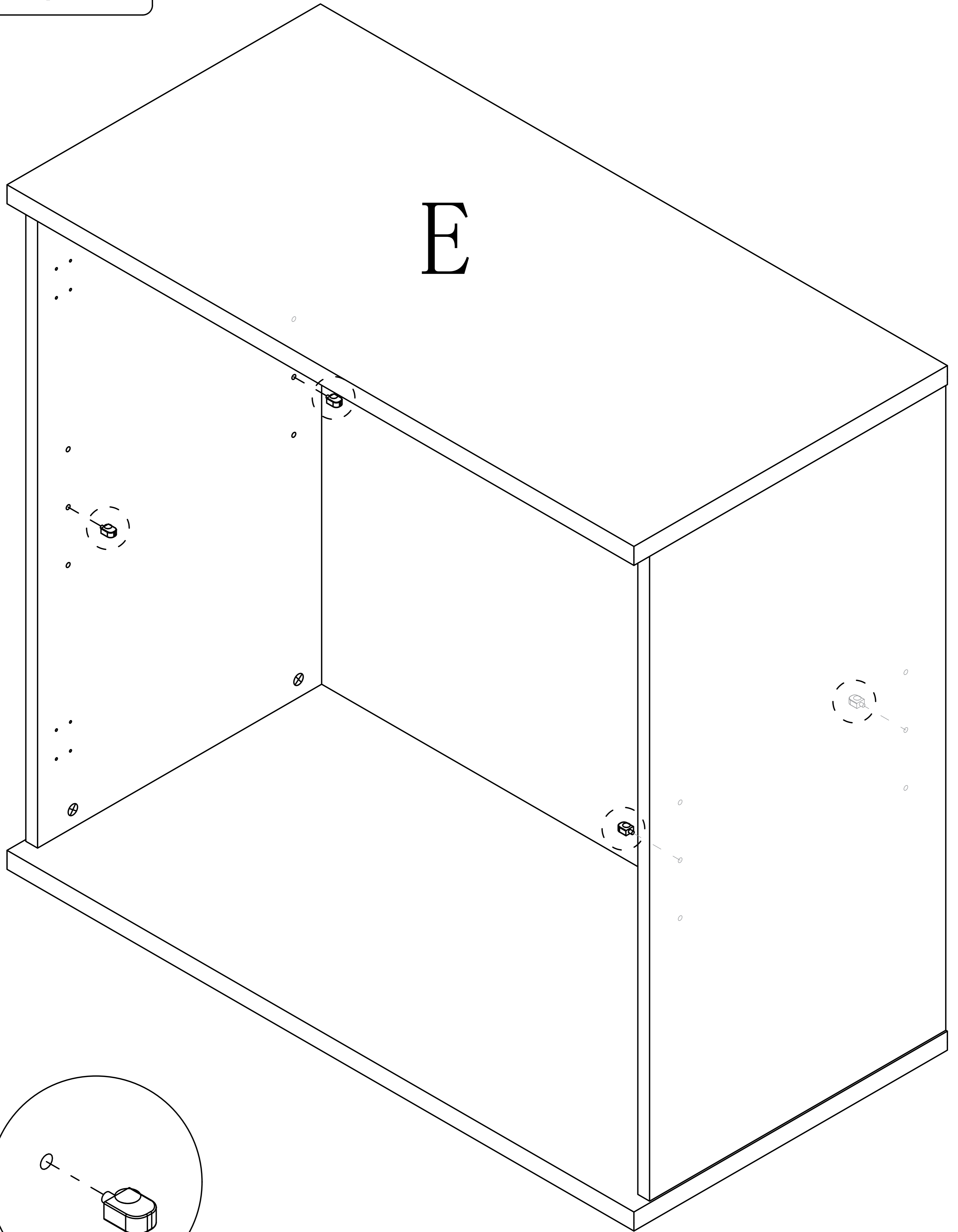


Step 12

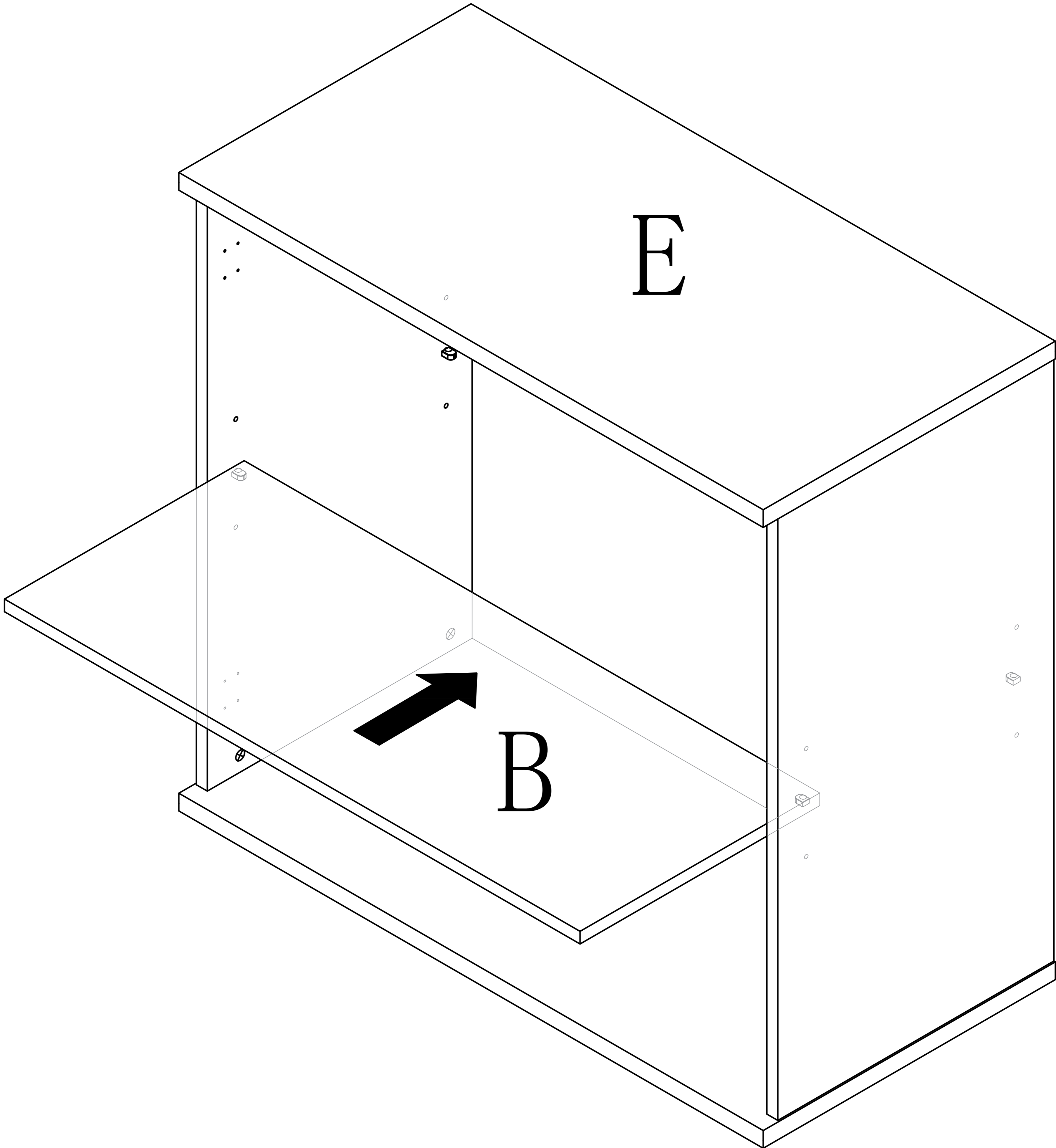
9



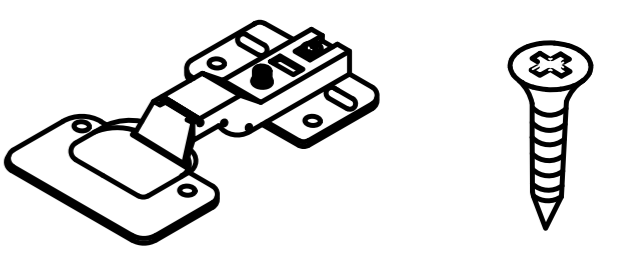
x4

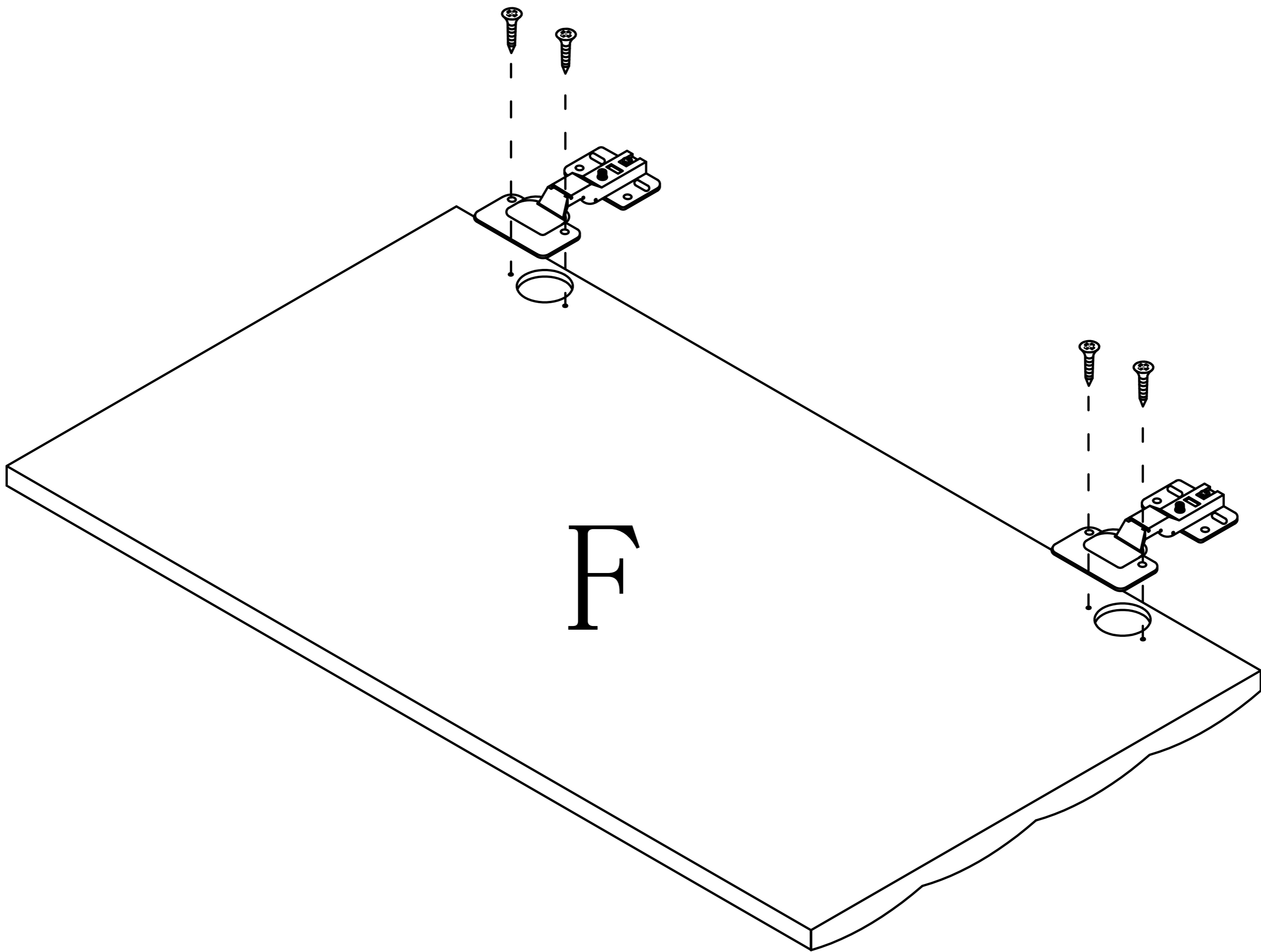


Step 13

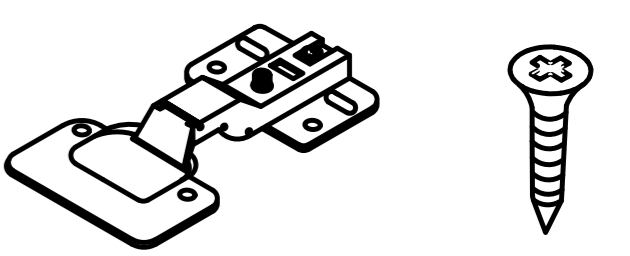


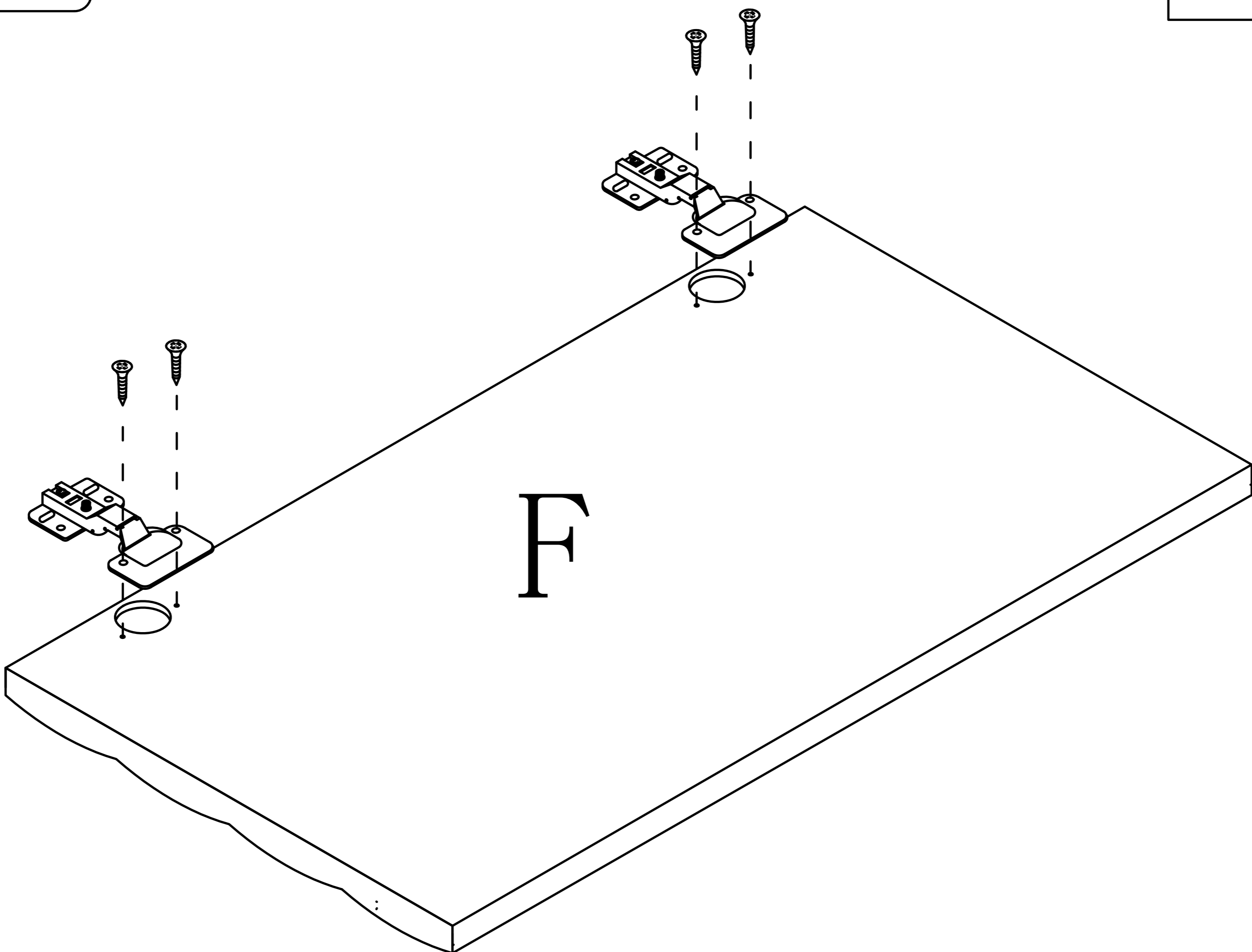
Step 14

⑤  x2 x4

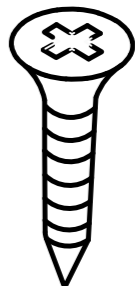


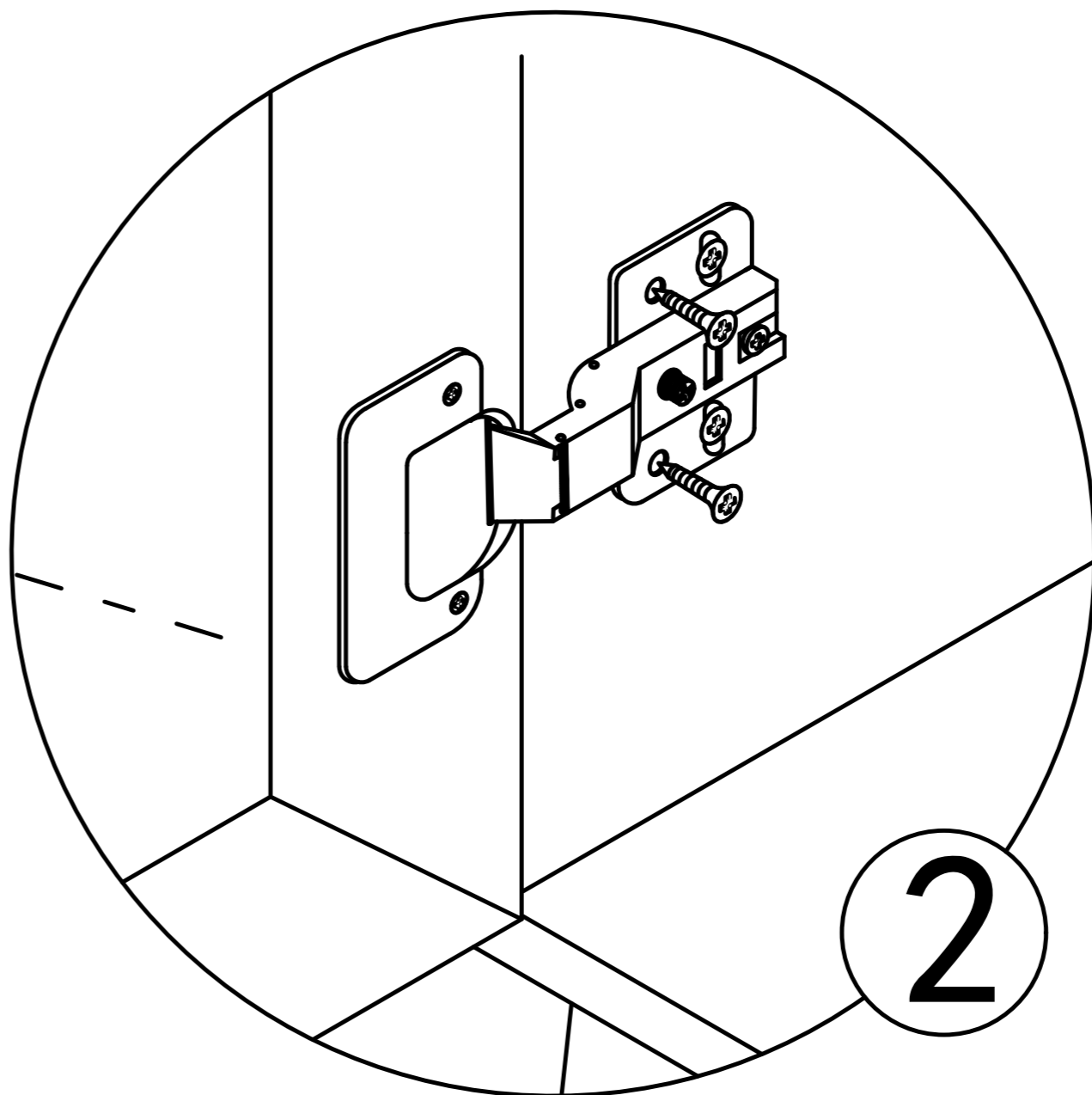
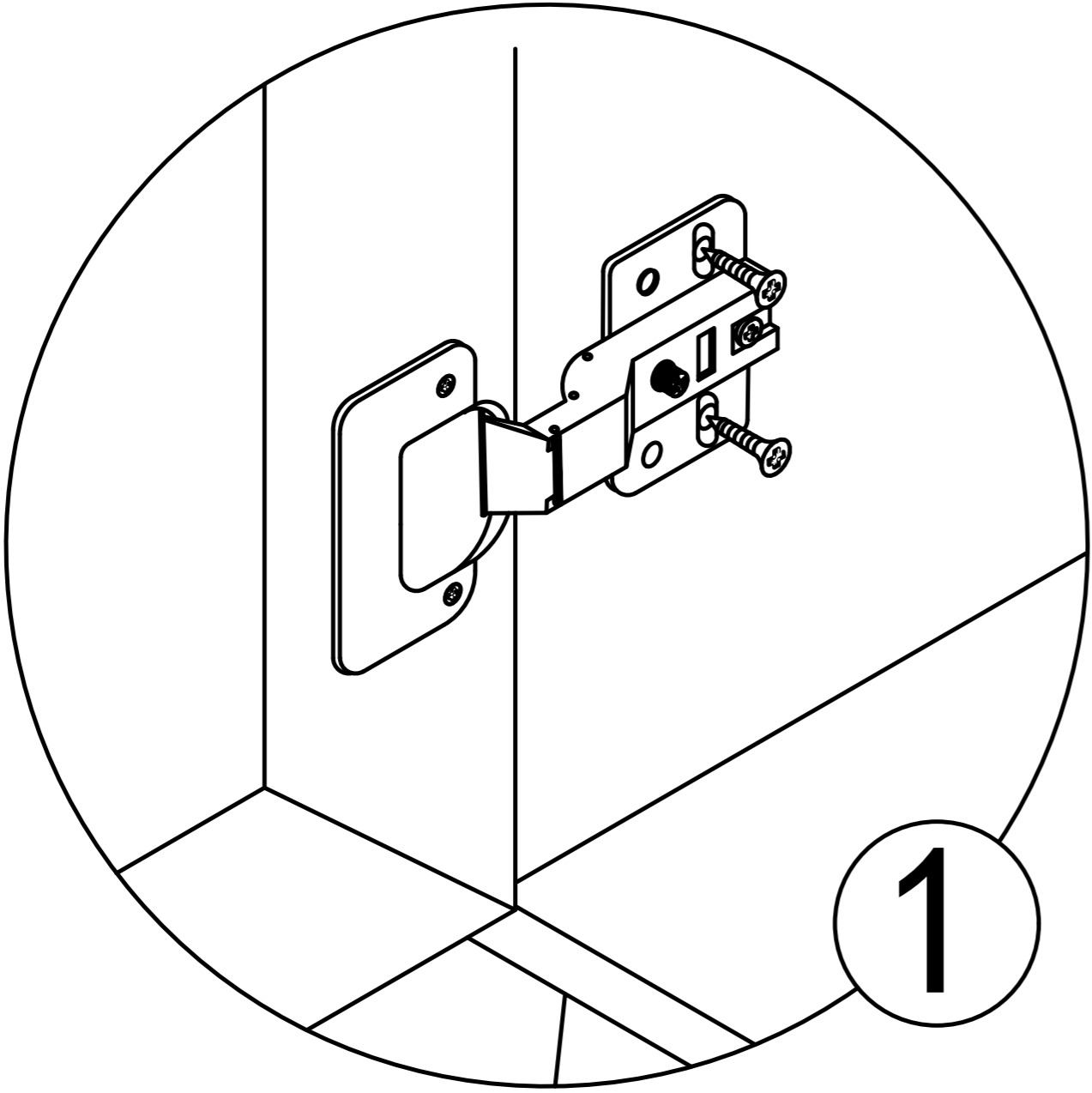
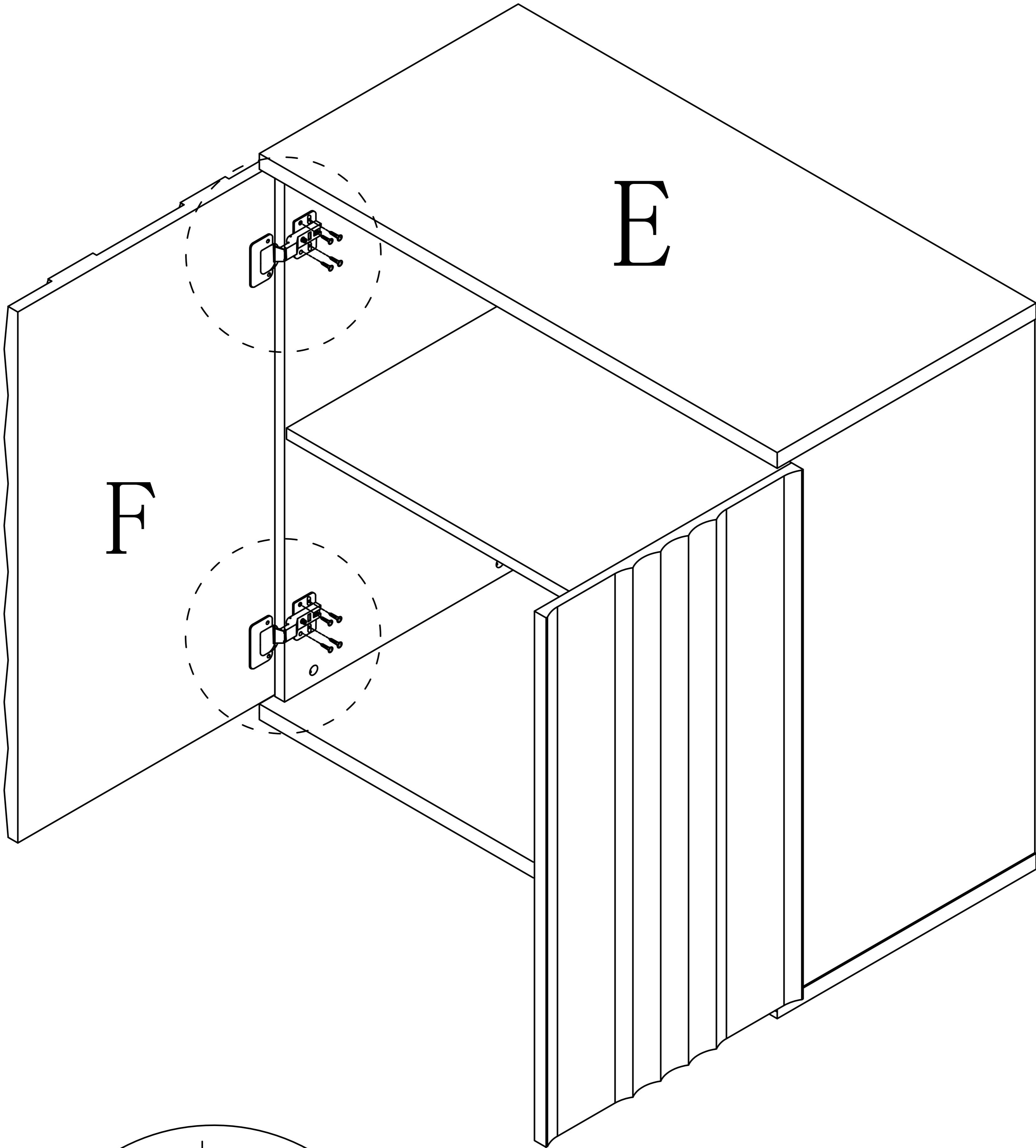
Step 15

⑤  x2 x4



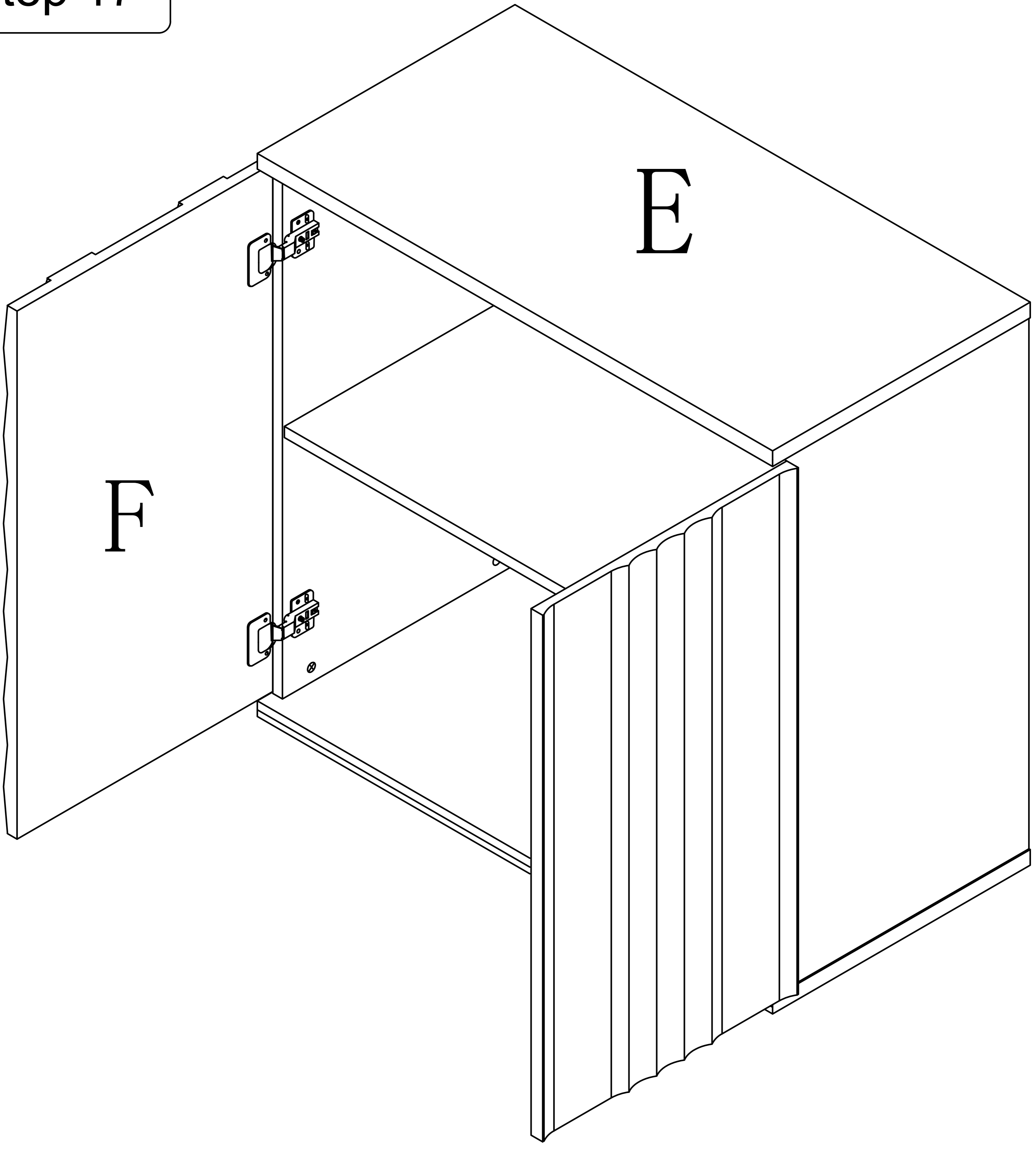
Step 16

5  x16

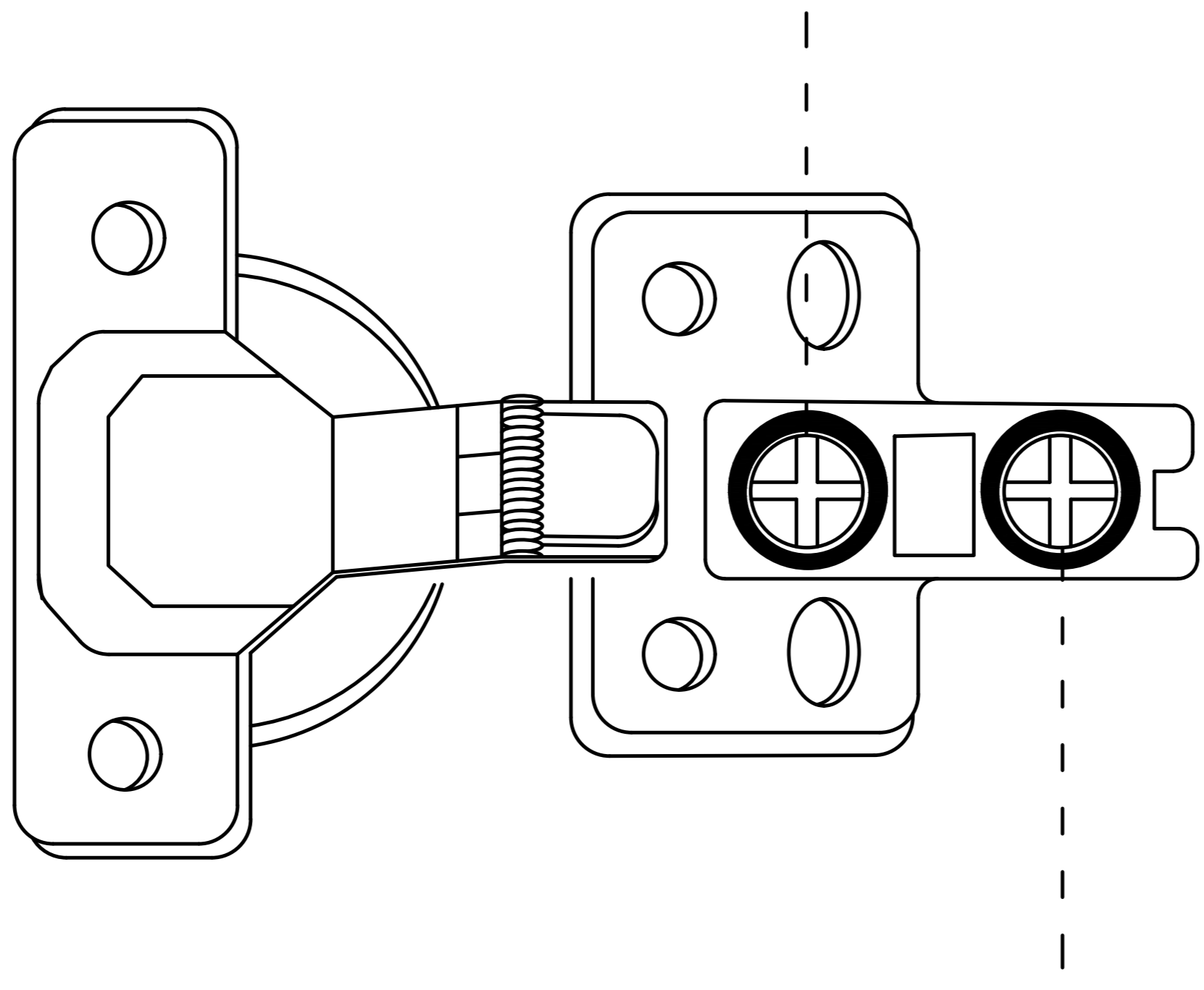


First lock the elliptical hole  
then lock the fixed hole

Step 17

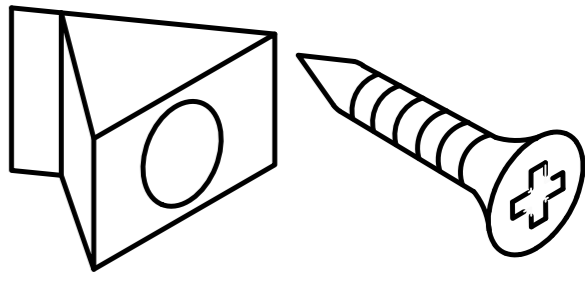


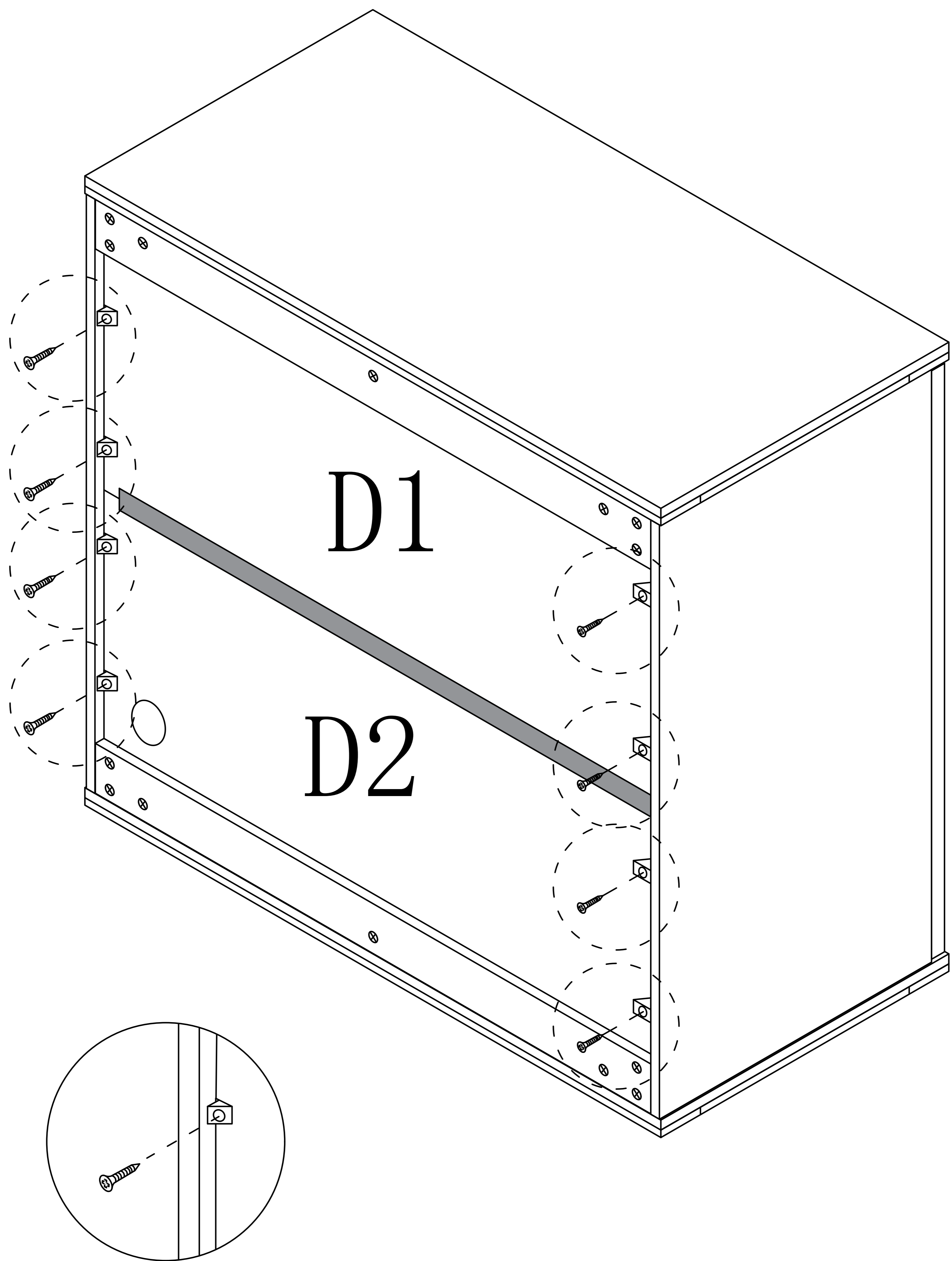
Turning this screw can effectively adjust the size of the door gap.



Turn this screw to adjust the door panel to be flat with the side panel.

Step 18

6  x 8



Step 19

Adjust the alignment of the door panel using the knob

