

CARE AND MAINTENANCE:

To clean, wipe with damp cloth.
Do not use abrasive cleaners or cleaners that contain alcohol.

CAUTION:

? This fixture is intended for installation in accordance with the National Electric Code (NEC) and all local code specifications.
? Supply wires are not intended for use through or concealed behind walls, floors, or ceilings.

DIMMING: This LED fixture is compatible with electronic low voltage dimmers only.

CAUTION ** RISK OF SHOCK

Disconnect Power at the main circuit breaker panel or main fuse box before starting and during the installation.

CARE AND MAINTENANCE:

To clean, wipe with damp cloth.
Do not use abrasive cleaners or cleaners that contain alcohol.

CAUTION:

? This fixture is intended for installation in accordance with the National Electric Code (NEC) and all local code specifications.
? Supply wires are not intended for use through or concealed behind walls, floors, or ceilings.

DIMMING: This LED fixture is compatible with electronic low voltage dimmers only.

CAUTION ** RISK OF SHOCK

Disconnect Power at the main circuit breaker panel or main fuse box before starting and during the installation.

CARE AND MAINTENANCE:

To clean, wipe with damp cloth.
Do not use abrasive cleaners or cleaners that contain alcohol.

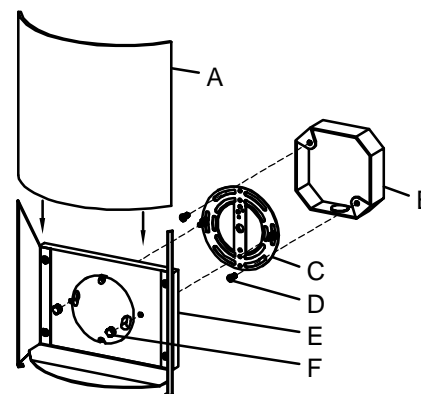
CAUTION:

? This fixture is intended for installation in accordance with the National Electric Code (NEC) and all local code specifications.
? Supply wires are not intended for use through or concealed behind walls, floors, or ceilings.

DIMMING: This LED fixture is compatible with electronic low voltage dimmers only.

CAUTION ** RISK OF SHOCK

Disconnect Power at the main circuit breaker panel or main fuse box before starting and during the installation.



| Connect Black or Red Supply Wire(Lead Wire) to: | Connect Black or Red Supply Wire(Lead Wire) to: |
|---|--|
| Black Wire | White Wire |
| *Parallel wire(round or smooth) | *Parallel wire(square or ridged) |
| Clear, brown, gold or black wire without tracer | Clear, brown, gold or black wire with tracer |
| Insulated wire (other tan green) with copper conductor | Insulated wire (other tan green) with silver conductor |
| *When parallel wires are used, the neutral wire is ridged down its length and the other wire is round and smooth (see illus). | |
| <p>Neutral Wire</p> | |

Installation

1. Shut off the power at the circuit breaker and remove existing fixture, including the mounting hardware.
2. Carefully unpack your new fixture and lay out all the parts on a clear area. Be careful not to lose any small parts necessary for installation.
3. Secure mounting plate(C) to the outlet box(B) using outlet box screws(D). The side of the mounting plate(C) marked iGNDi must face out.
4. Now connect the electrical wires as follows: Connect the black wire from the fixture to the black house (hot) wire. Connect the white wire from the fixture to the white (neutral) house wire. Make sure all wire nuts are secured. You may wrap the connections with electrical tape. If your outlet has a ground wire (green or bare copper), connect fixture ground wire to it. Otherwise, connect fixture ground wire directly to the mounting plate using the green screw provided. Tuck the wire connections neatly into the outlet box(B).
5. Place the fixture(E) base over the mounting plate(C), and secure it to the wall plate by using two cap nuts(F).
6. Carefully lower each diffuser(A) and rest onto the bottom tabs of the side brackets.

Installation

1. Shut off the power at the circuit breaker and remove existing fixture, including the mounting hardware.
2. Carefully unpack your new fixture and lay out all the parts on a clear area. Be careful not to lose any small parts necessary for installation.
3. Secure mounting plate(C) to the outlet box(B) using outlet box screws(D). The side of the mounting plate(C) marked iGNDi must face out.
4. Now connect the electrical wires as follows: Connect the black wire from the fixture to the black house (hot) wire. Connect the white wire from the fixture to the white (neutral) house wire. Make sure all wire nuts are secured. You may wrap the connections with electrical tape. If your outlet has a ground wire (green or bare copper), connect fixture ground wire to it. Otherwise, connect fixture ground wire directly to the mounting plate using the green screw provided. Tuck the wire connections neatly into the outlet box(B).
5. Place the fixture(E) base over the mounting plate(C), and secure it to the wall plate by using two cap nuts(F).
6. Carefully lower each diffuser(A) and rest onto the bottom tabs of the side brackets.

Installation

1. Shut off the power at the circuit breaker and remove existing fixture, including the mounting hardware.
2. Carefully unpack your new fixture and lay out all the parts on a clear area. Be careful not to lose any small parts necessary for installation.
3. Secure mounting plate(C) to the outlet box(B) using outlet box screws(D). The side of the mounting plate(C) marked iGNDi must face out.
4. Now connect the electrical wires as follows: Connect the black wire from the fixture to the black house (hot) wire. Connect the white wire from the fixture to the white (neutral) house wire. Make sure all wire nuts are secured. You may wrap the connections with electrical tape. If your outlet has a ground wire (green or bare copper), connect fixture ground wire to it. Otherwise, connect fixture ground wire directly to the mounting plate using the green screw provided. Tuck the wire connections neatly into the outlet box(B).
5. Place the fixture(E) base over the mounting plate(C), and secure it to the wall plate by using two cap nuts(F).
6. Carefully lower each diffuser(A) and rest onto the bottom tabs of the side brackets.

Recommended Tools and Accessories

Outils et mat'riaux recommand's / Herramientas y materiales recomendados

