
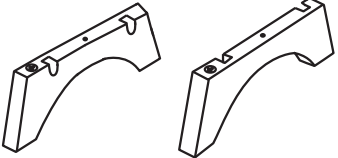
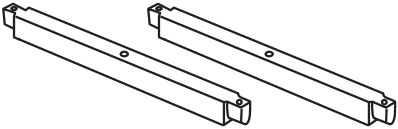



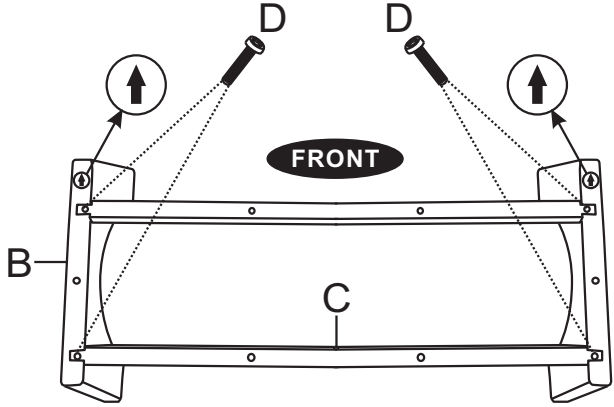


# ASSEMBLY INSTRUCTIONS

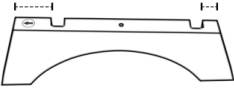
A		1
B		2
C		2

D	 M6*45MM	4
E	 M8*50MM	6
F		1

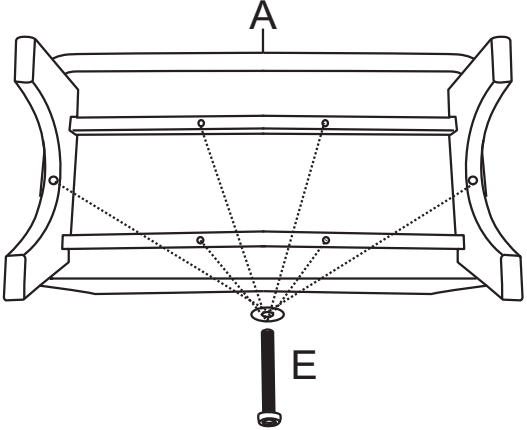
①



Note : Please install screw D to 50% and tighten it to 100% after the four screws are installed



②



③

