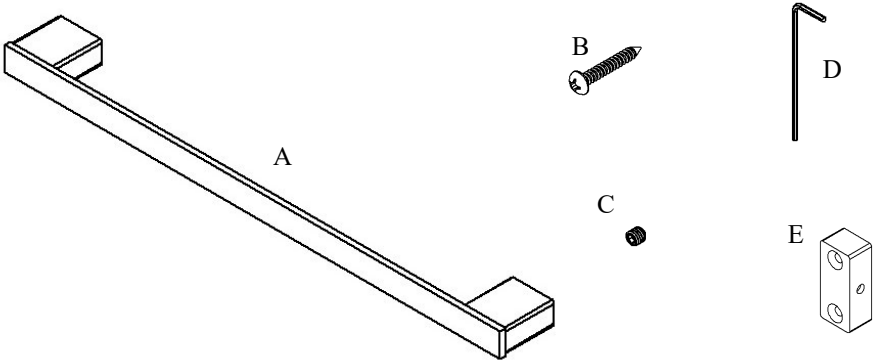


Cinder 18" Towel Bar Installation Guide



Parts Included	QTY
A - Towel Bar	1
B - Screw	4
C - Set Screw	2
D - Allen Key	1
E - Bracket	2

Model #	Description	Finish	Weight (lb)	WxHxD (mm)	WxHxD (Inches)	Metal Type
	Cinder 18" Towel Bar	Chrome	1.75	457 x 22 x 50	18 x 0.75 x 2	Brass
	Cinder 18" Towel Bar	Brushed Nickel	1.75	457 x 22 x 50	18 x 0.75 x 2	Brass
	Cinder 18" Towel Bar	Matte Black	1.75	457 x 22 x 50	18 x 0.75 x 2	Brass
	Cinder 18" Towel Bar	Brushed Gold Light	1.75	457 x 22 x 50	18 x 0.75 x 2	Brass
	Cinder 18" Towel Bar	Brushed Gold Dark	1.75	457 x 22 x 50	18 x 0.75 x 2	Brass

Warranty: 2 Years

Care & Maintenance: A periodic wash using warm water and a soft cloth will retain the high quality finish of your Volcano product for many years to come. ON NO ACCOUNT should any household bleaches, detergents, abrasive polishes, steel wool or other cleaning agents be used on this item.

