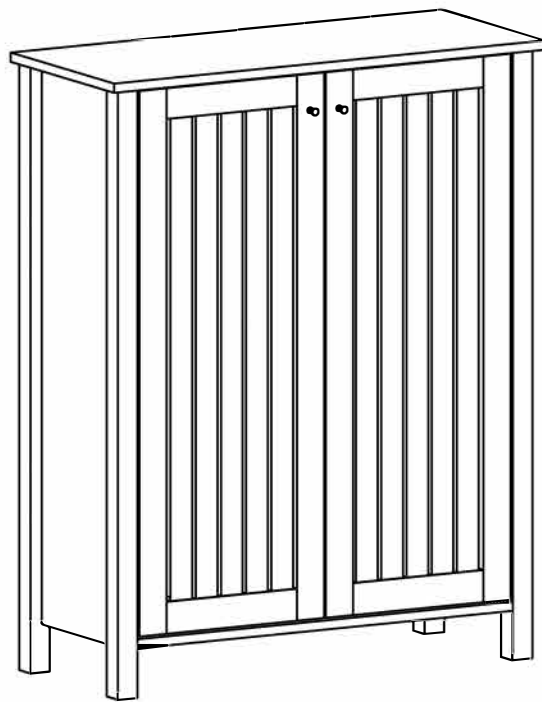


# ASSEMBLY INSTRUCTIONS



**Shoe  
Cabinet**

# ASSEMBLY INSTRUCTIONS

## ASSEMBLY TIPS:

- 1.Remove hardware from box and sort by size.
- 2.Please check to see that all hardware and parts are present prior to start of assembly.
- 3.Please follow attached instructions in the same sequence as numbered to assure fast & easy assembly.



## WARNING !!

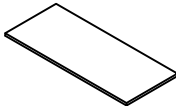
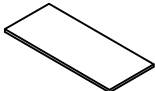
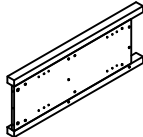
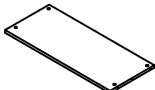
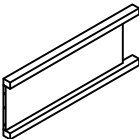
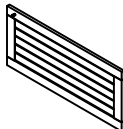
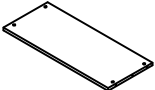
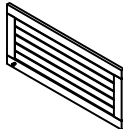
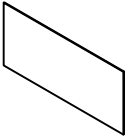
1. Don't attempt to repair or modify parts that are broken or defective. Please contact the store immediately.
2. This product is for home use only and not intended for commercial establishment.












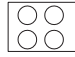


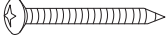


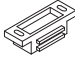



**ASSEMBLY TIME**

**30 MINUTES**

## PARTS IDENTIFICATION

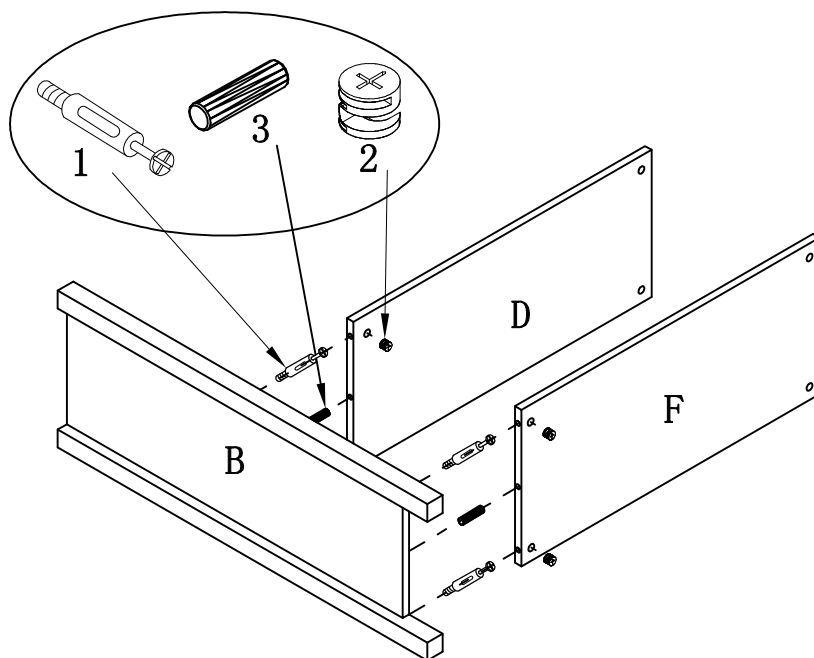
A TOP		1 PC	E ADJUSTABLE SHELF		2 PCS
B LEFT SIDE PANEL		1 PC	F BOTTOM PANEL		1 PC
C RIGHT SIDE PANEL		1 PC	G LEFT DOOR PANEL		1 PC
D FIXED SHELF		1 PC	H RIGHT DOOR PANEL		1 PC
			I BACK PANEL		2 PCS

## HARDWARE IDENTIFICATION

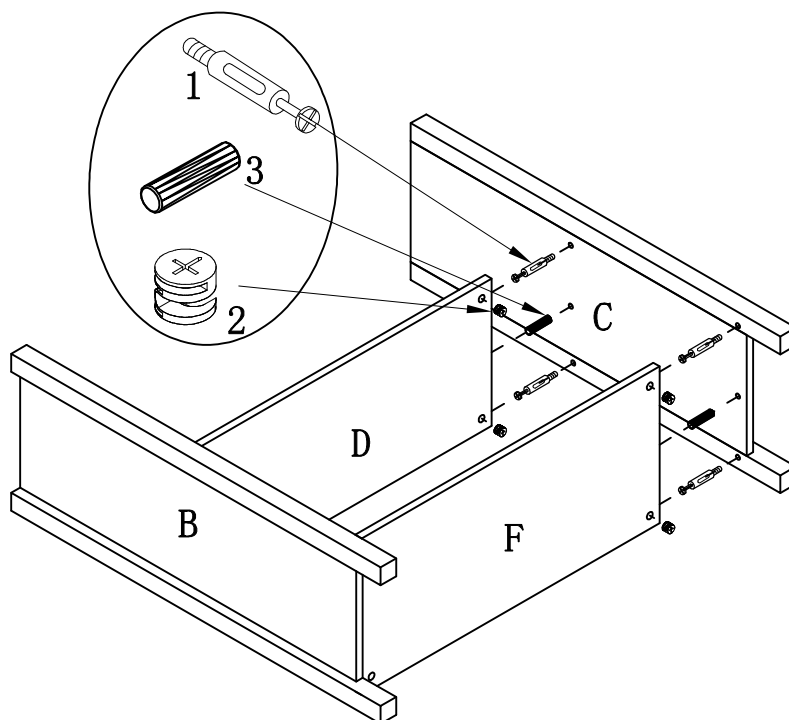
1	CAMBOLT	L29mm		16pcs
2	CAMLOCK	∅15mm		16pcs
3	DOWEL	∅8 × 25mm		6pcs
4	DOOR PIN			2pcs
5	SMALL SCREW	∅3 × 14mm		4pcs
6	MEDIUM SCREW	∅3 × 16mm		4pcs
7	SHELF PIN			8pcs
8	KNOB			2pcs
9	KNOB SCREW	∅4 × 22mm		2pcs
10	STICKER	∅22mm		18pcs
11	THE RESTRAINT STRAP	197 × 5 × 1mm		1 pc
12	LARGE SCREW	∅4x25mm		1 pc
13	WALL SCREW	∅5 × 40mm		1 pc
14	PLASTIC WALL ANCHOR	∅8 × 40mm		1 pc
15	NAIL			30pcs
16	DOOR CATCH			2pcs
17	DOOR CATCH PIECE			2pcs
18	GLUE			1pc
19	BRACKET	12 × 12 × 1mm		2pcs

# ASSEMBLY INSTRUCTIONS

## STEP 1

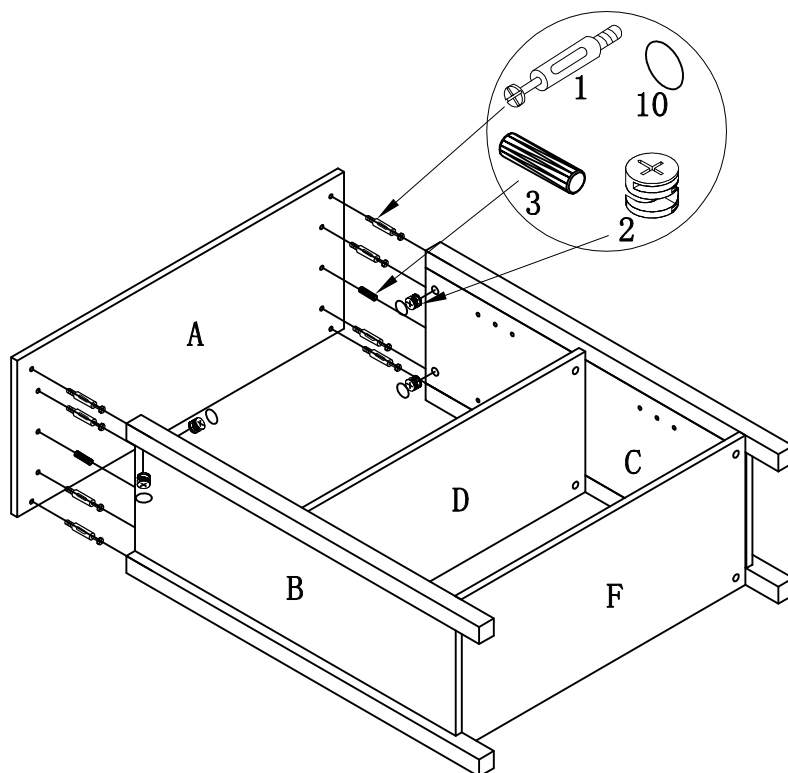


## STEP 2

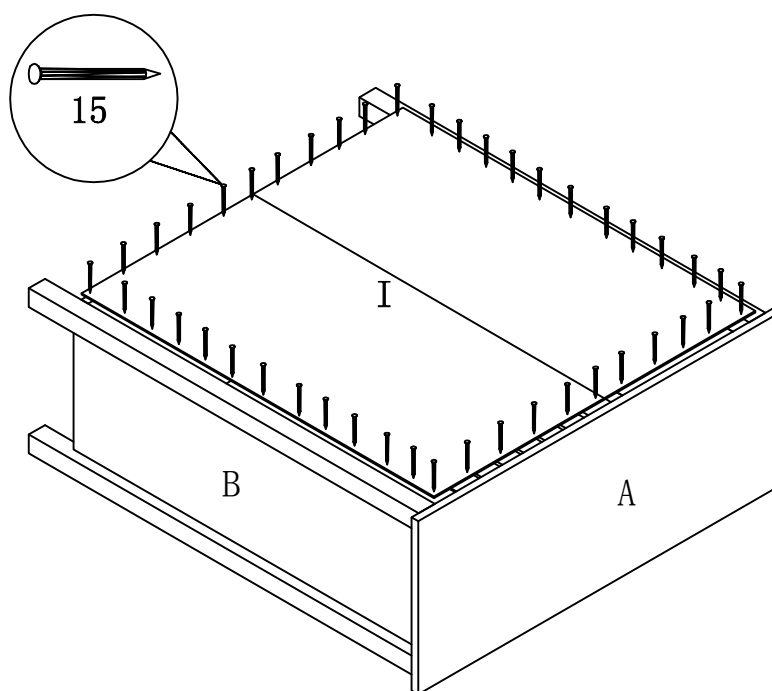


# ASSEMBLY INSTRUCTIONS

## STEP 3

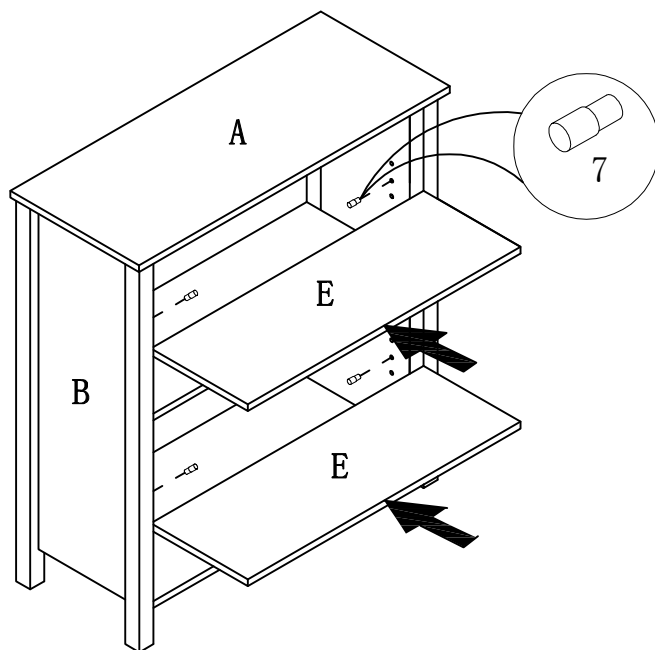


## STEP 4

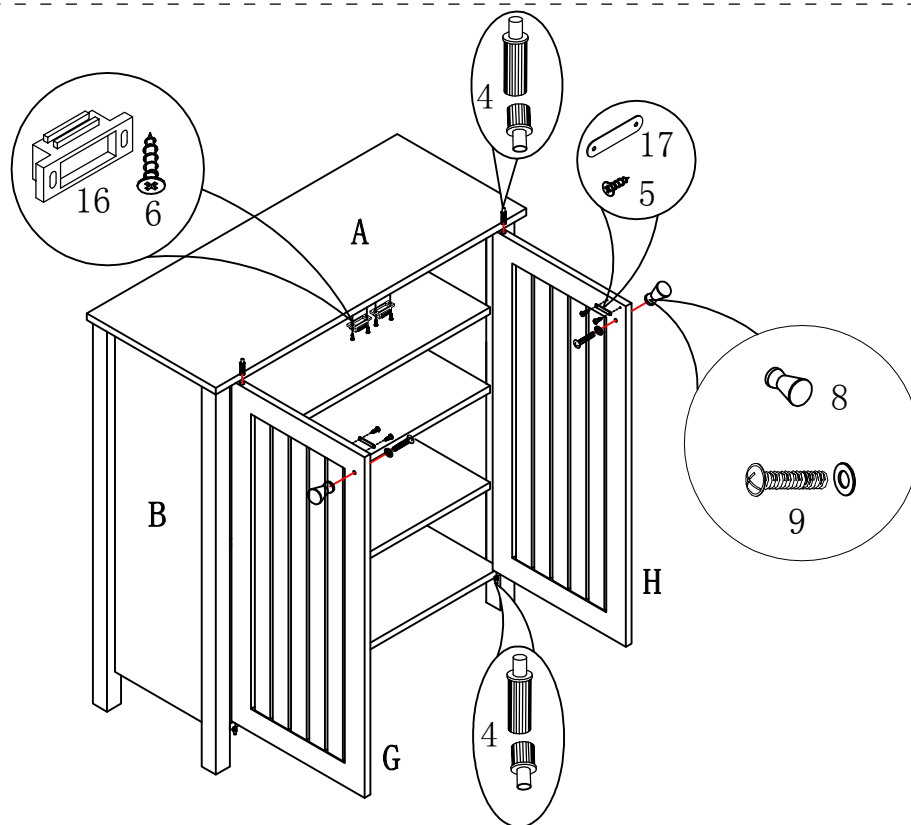


# ASSEMBLY INSTRUCTIONS

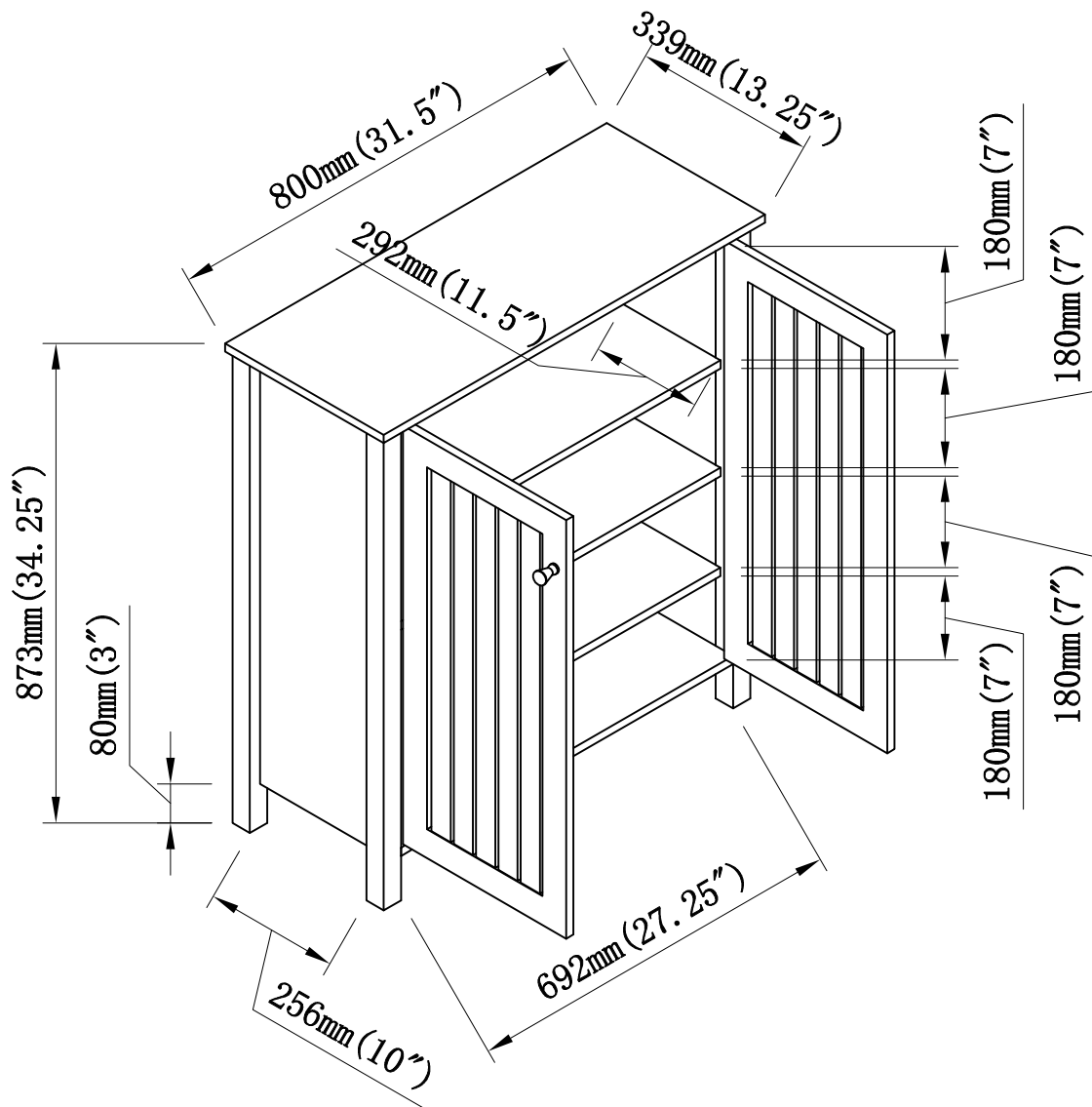
## STEP 5



## STEP 6



# DIMENSION



## ANTI-TIPPING INSTALLMENT INSTRUCTIONS

### FURNITURE TIPPING RESTRAINT

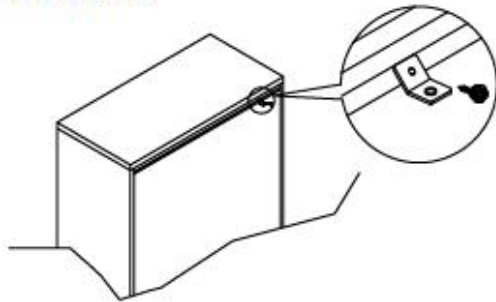
#### WARNING

Injury may result from tipping furniture.  
This restraint may protect against tipping furniture.  
Do not allow children to climb on furniture.  
This restraint is not a substitute for proper adult supervision.  
Failure to detach this restraint before moving the furniture may result in injury and damage.

This tip restraint must be attached to a wall stud using long screw enclosed.

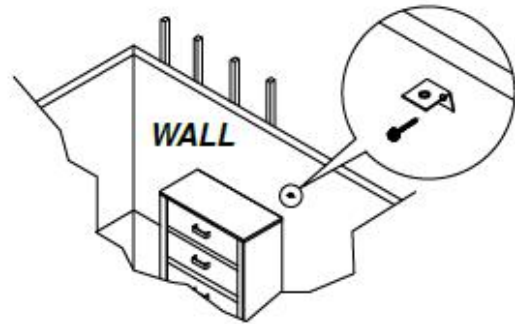
#### STEP 1

Attach a bracket securely to the back top rail to the furniture using short screw provided, through the smaller hole.



#### STEP 2

Locate the other bracket on the wall over a wall stud and two inches below the mounting bracket secured to the back of the furniture. Attach the wall stud using the long screw provided, through the smaller hole.



#### STEP 3

Place the furniture into position so both mounting brackets are vertically in line. Lace the end of the restraint strap through the larger hole in each mounting bracket. Bring both ends together and slide the flat end through the locking and draw it until all slack is removed. Confirm that the strap is securely laced and locked.

