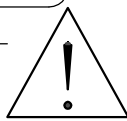
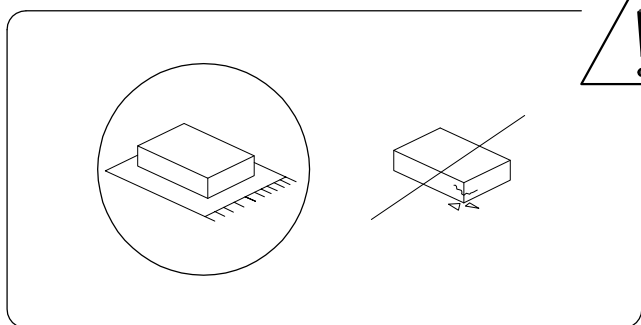
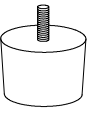
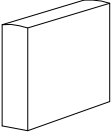
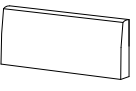
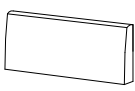


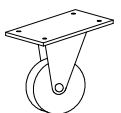
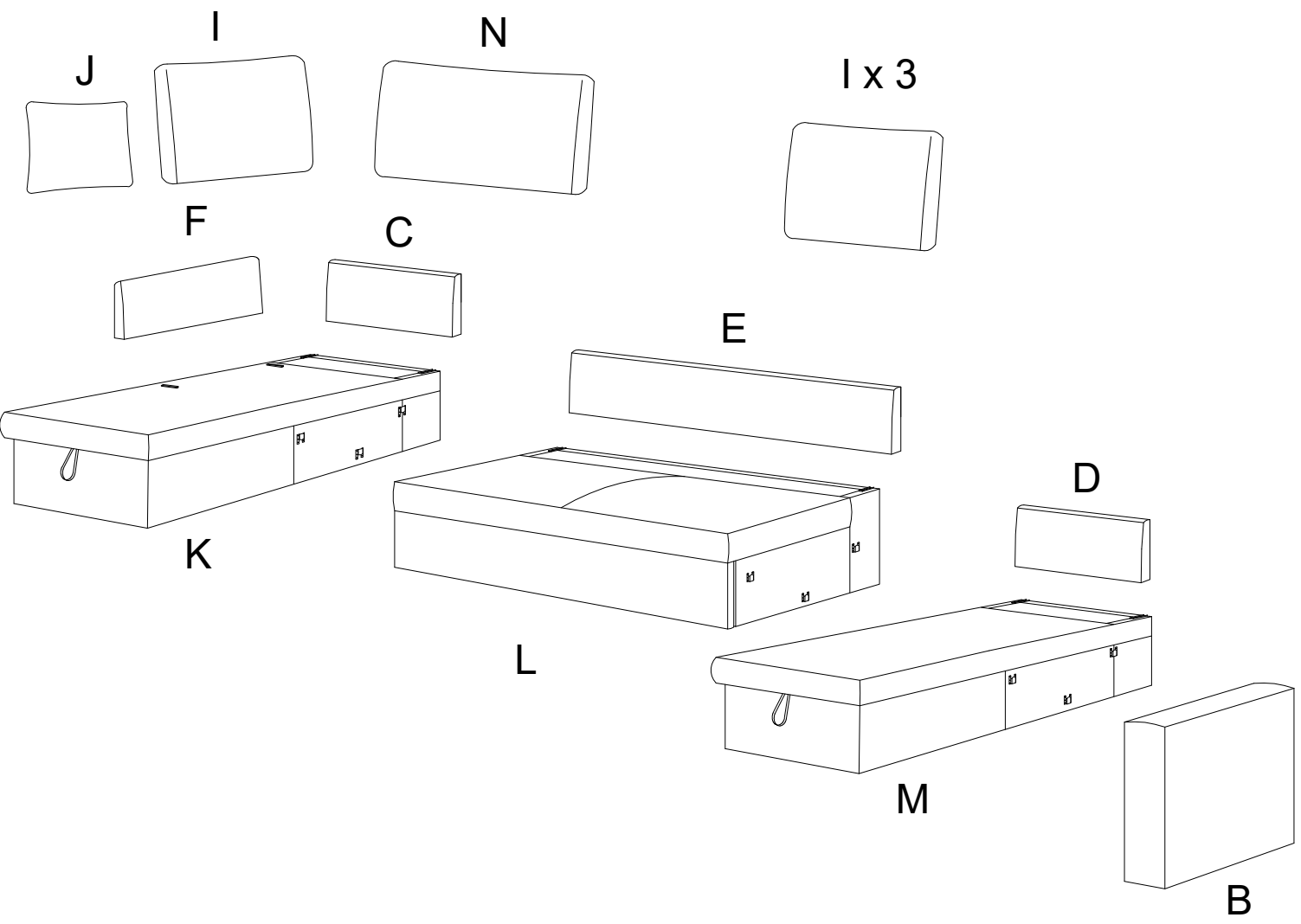


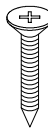
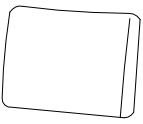
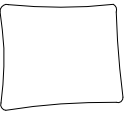
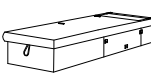

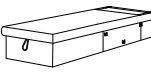
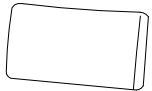
40'



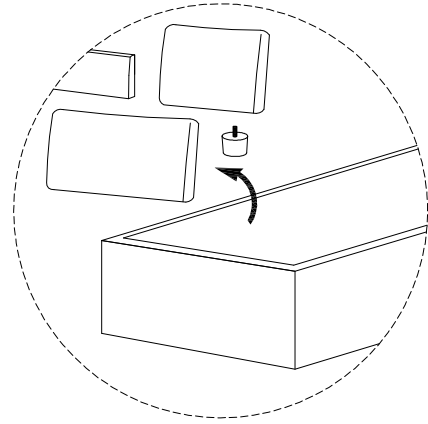
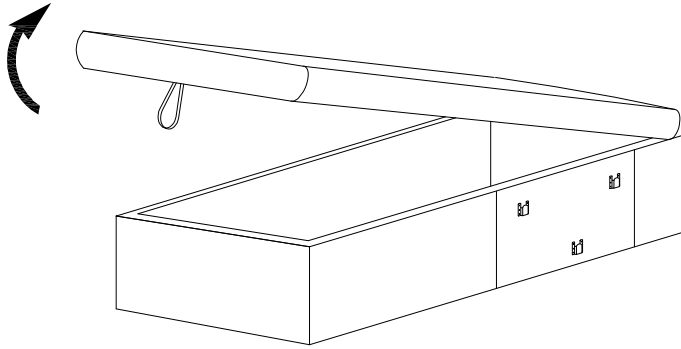
2

| | | | | | | |
|---|---|---|---|--|---|---|
| A | B | C | D | E | F | G |
|  |  |  |  |  |  |  |
| x 14 | x 1 | x 1 | x 1 | x 1 | x 1 | x 2 |



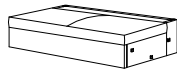
| | | | | | | |
|--|---|---|---|--|---|---|
| H | I | J | K | L | M | N |
|  4 x 22 |  |  |  |  |  |  |
| x 8 | x 4 | x 1 | x 1 | x 1 | x 1 | x 1 |

!



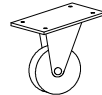
1

L



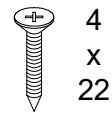
x 1

G

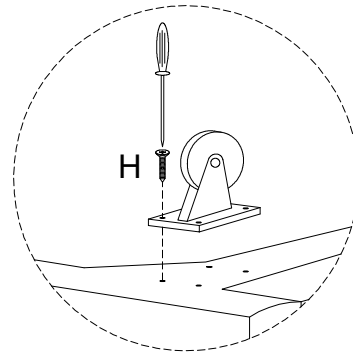
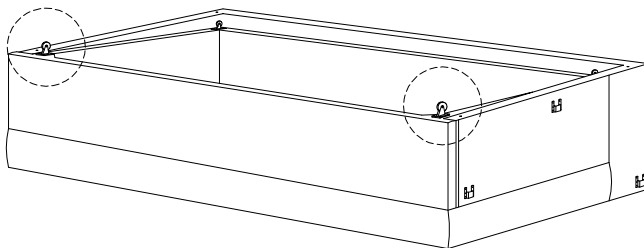


x 2

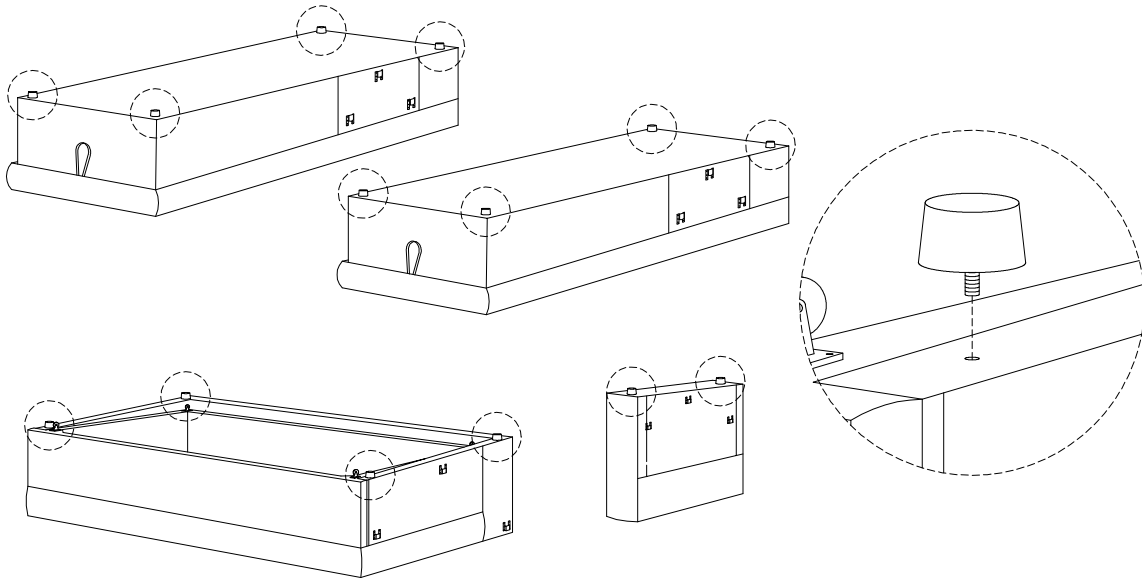
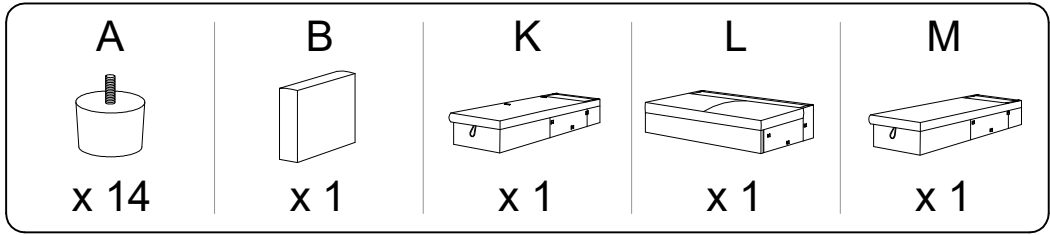
H



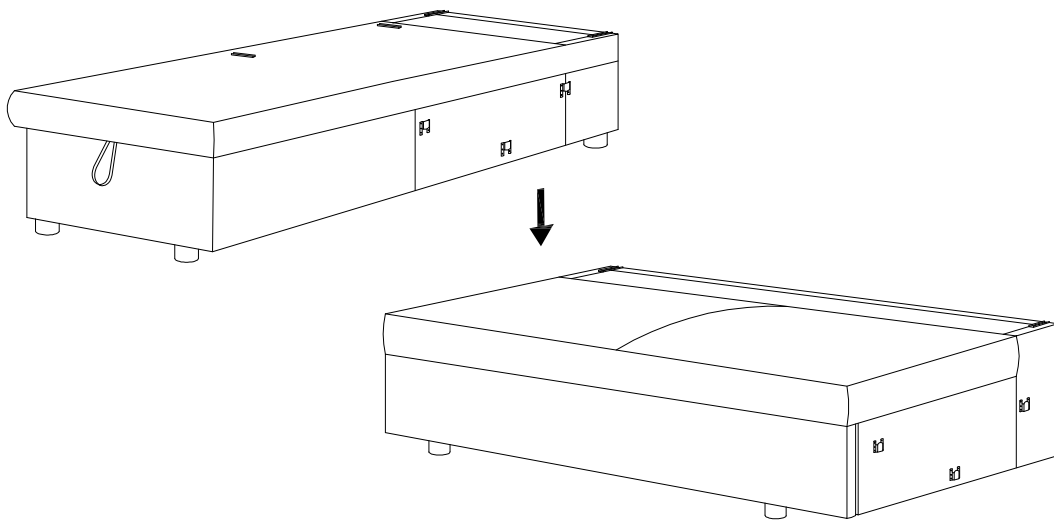
4
x
22
x 8



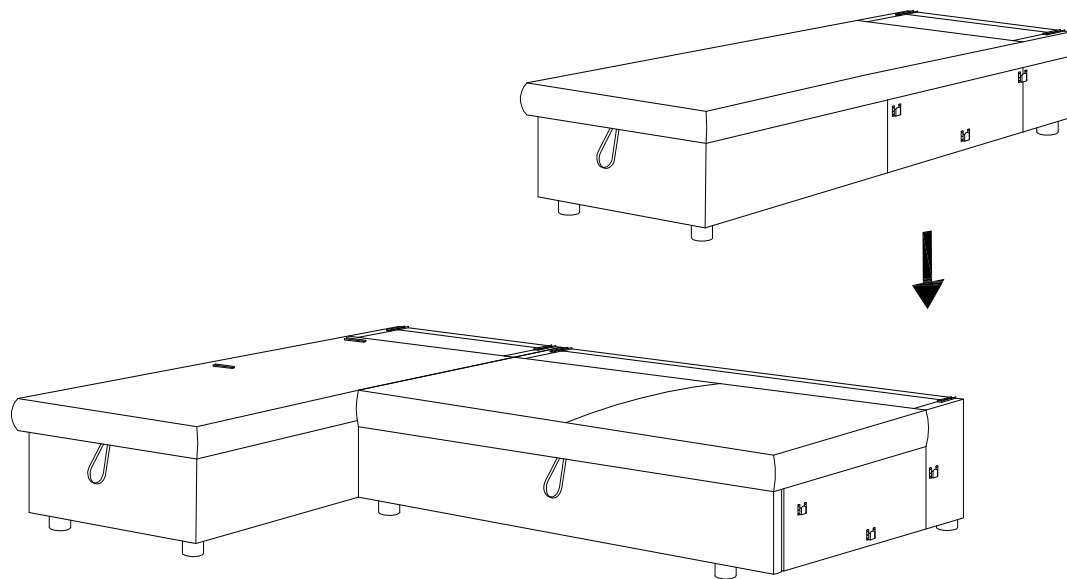
2



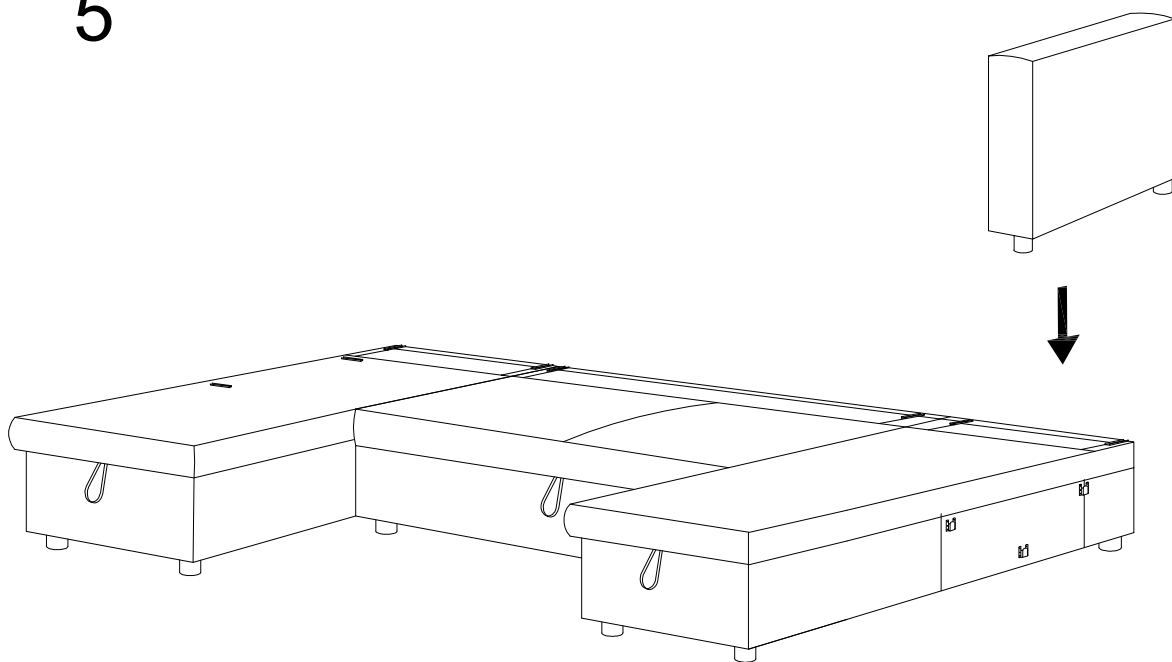
3



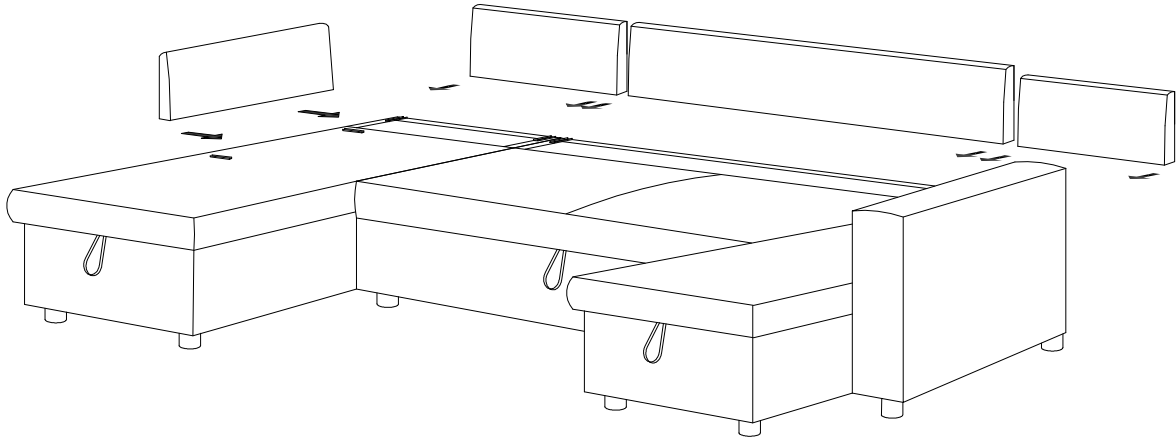
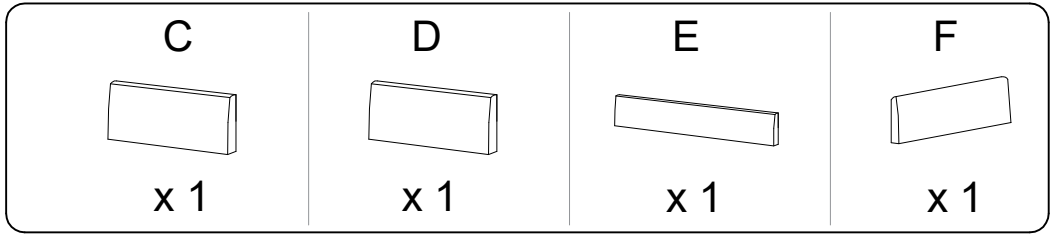
4



5



6



7

