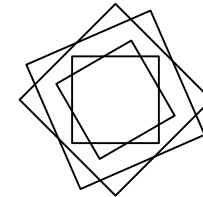
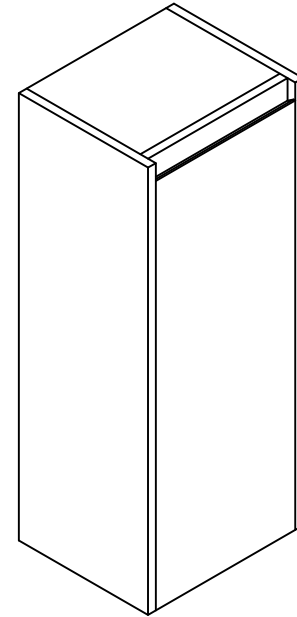


## THANKS FOR WATCHING

Your feedback is invaluable to us and we would love to hear about your experience. Please take the time to leave us a review.



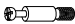









## Thank you for shopping with us!

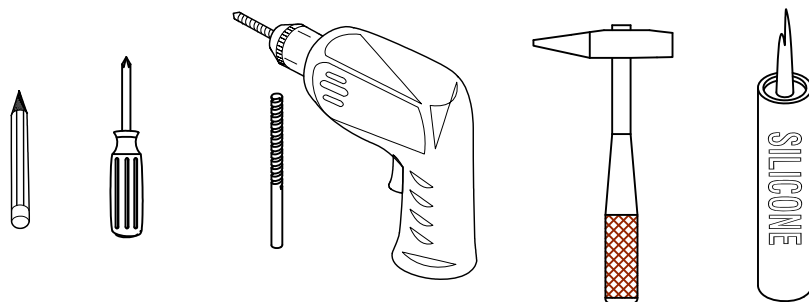
We encourage you to take a few minutes to go through this booklet. It contains important information on installation and care tips to keep your furniture looking as good as new.

Item NO.:SC 00112

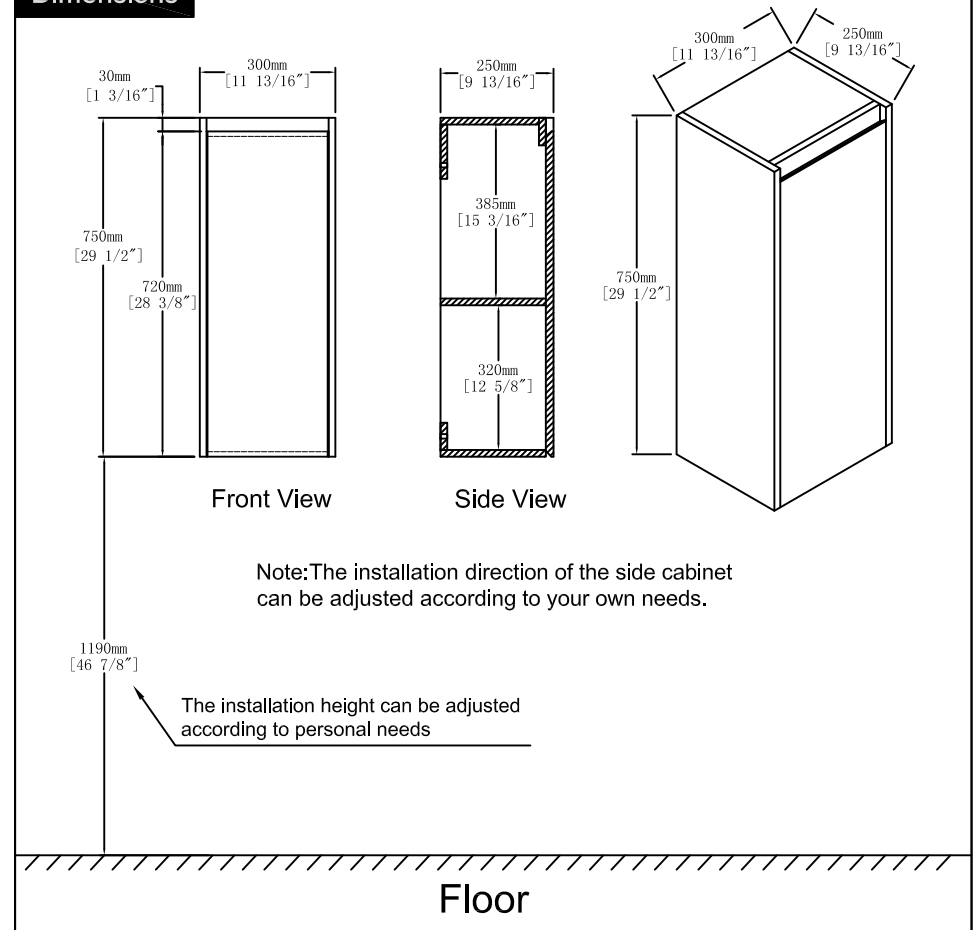
Hardware

NO.	Draw	QTY	NO.	Draw	QTY
A	 Screws Ø4 x 14 mm	12	F	 Hinges (Internal hiding)	2
B	 Two-in-one connector	25	G	 Screws for fix on the wall	2
C	 Two-in-one connector	25	H	 Wall hanging screw decorative cover	2
D	 Wood plug	10	I	 Anti-collision gasket	2
E	 Plastic anchor(Ø10mm)	2	J	 Screwdriver	1

Recommended tools

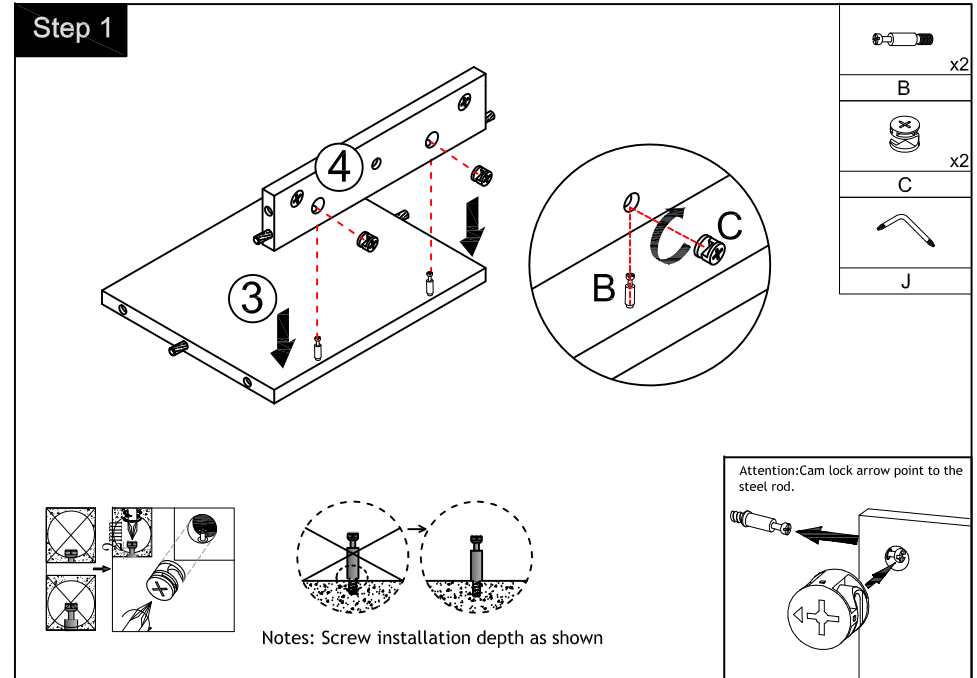
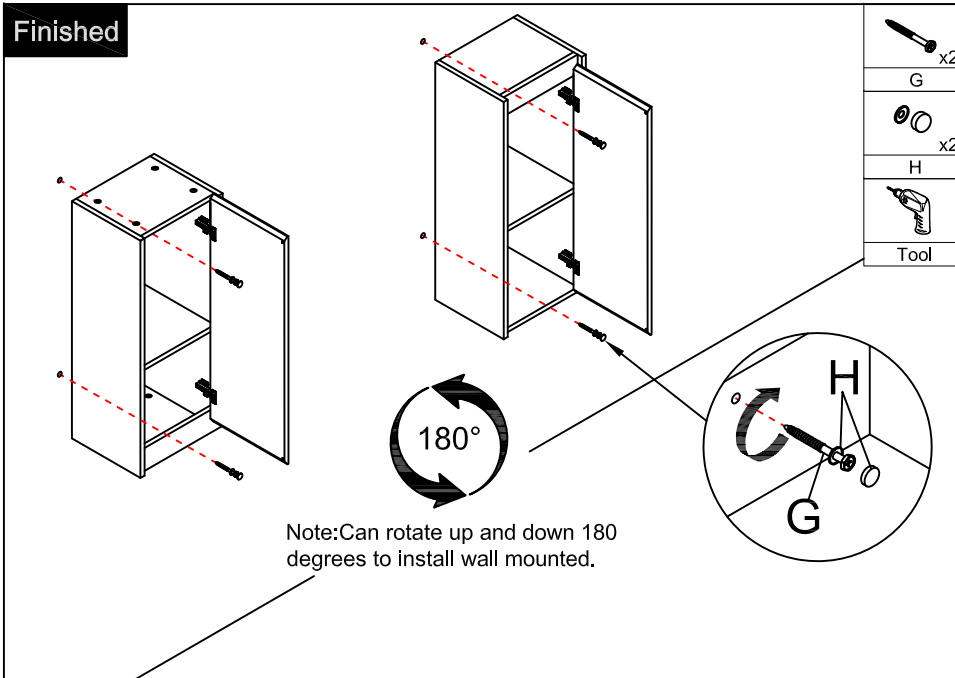
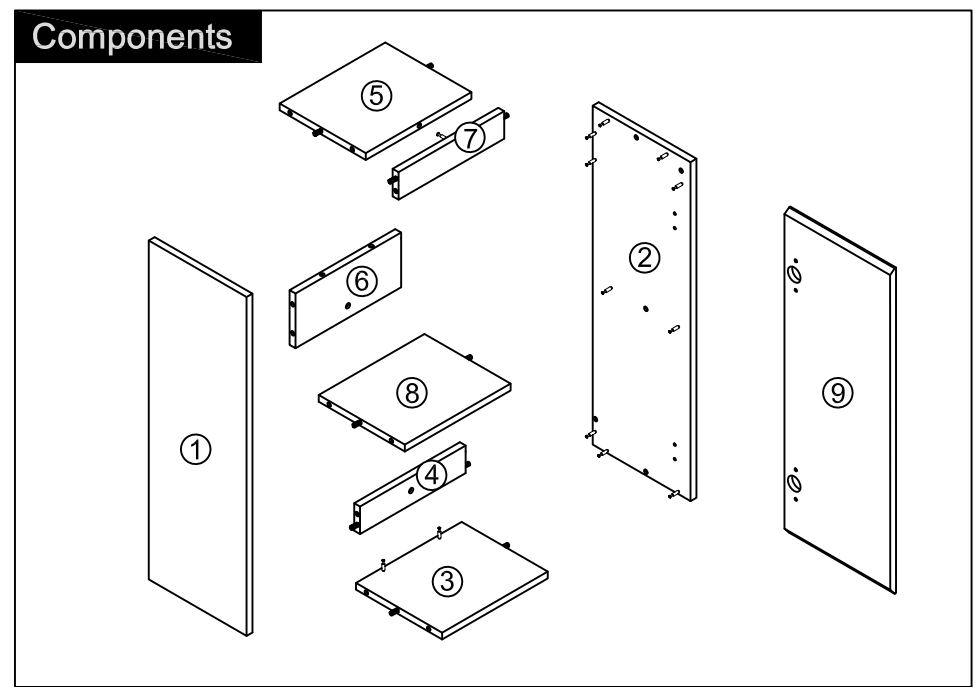
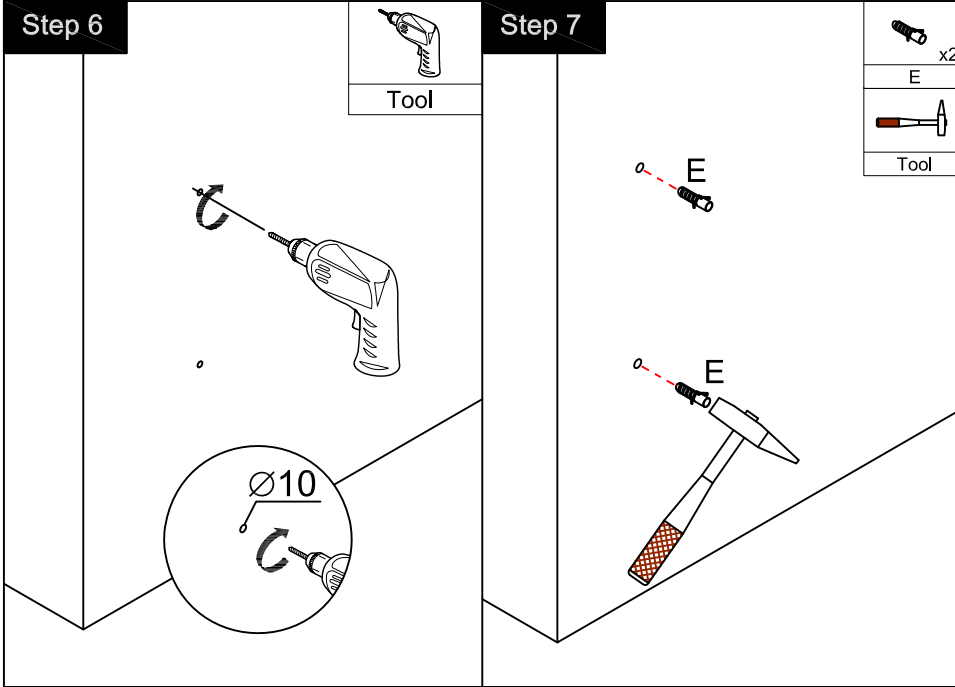


Dimensions

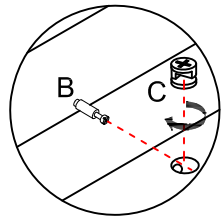
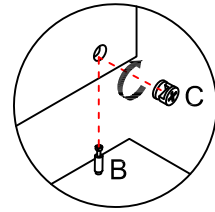
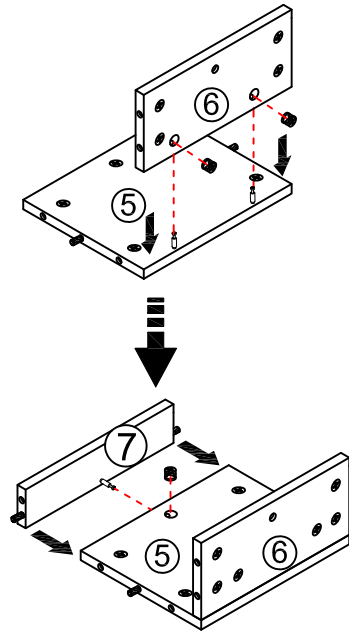


CARE CLEANING AND MAINTENANCE

1. Dust regularly with a soft, dry cloth.
2. Avoid the use of all chemicals household cleaners, abrasives, or cleaners that contain lemon, vinegar, or other acids that may damage the finish.
3. Excessive exposure to sunlight and extreme changes in temperature and moisture can damage wood furniture.
4. Do not place hot appliances, such as curling irons and hot hair dryers directly on the countertop. Wipe spills immediately.



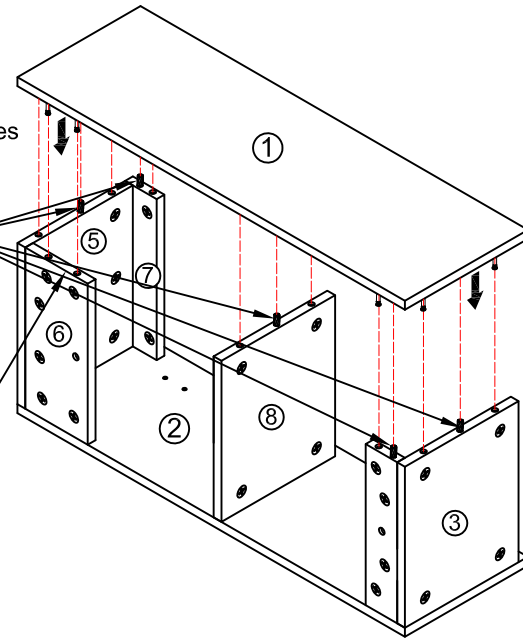
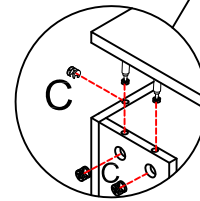
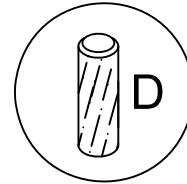
### Step 2



	x3
B	
	x3
C	
J	

### Step 4

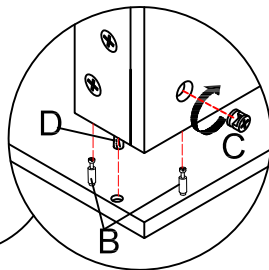
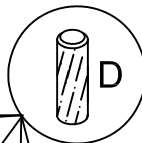
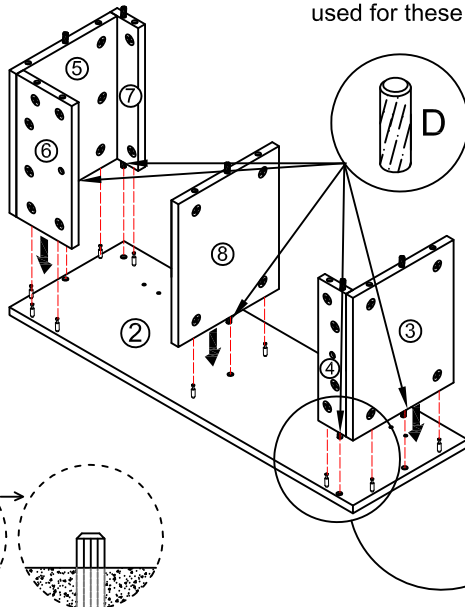
Note: The D parts are used for these five holes



	x10
B	
	x10
C	
	x5
D	
J	

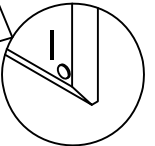
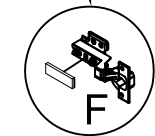
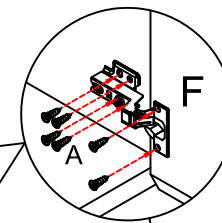
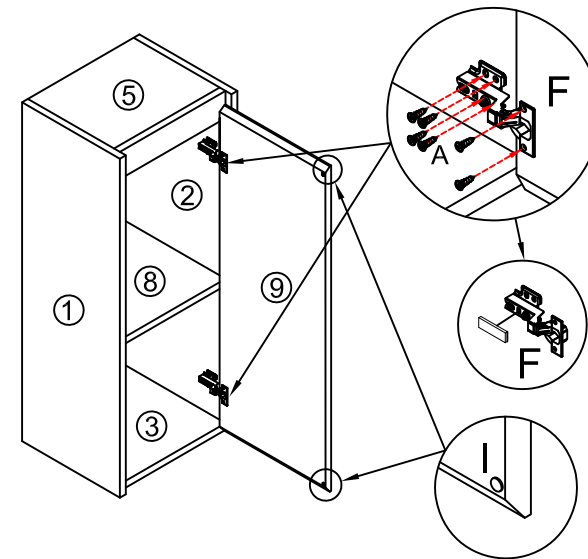
### Step 3

Note: The D parts are used for these five holes



	x10
B	
	x10
C	
	x5
D	
J	

### Step 5



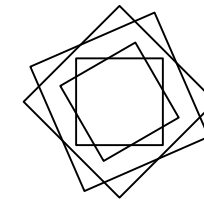
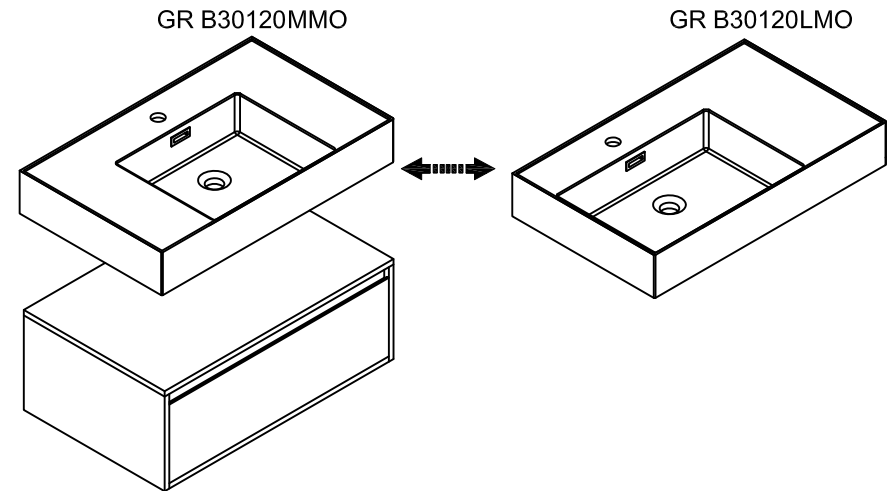
	Ø4 x 14mm
	x12
A	
	x2
F	
	x2
I	
Tool	

Note: The opening direction of the door panel can be installed as left or right according to one's own needs.

## THANKS FOR WATCHING

Your feedback is invaluable to us and we would love to hear about your experience. Please take the time to leave us a review.

You can choose a 30 inch medium or left basin according to your own needs


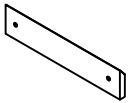



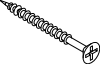




**Thank you for shopping with us!**

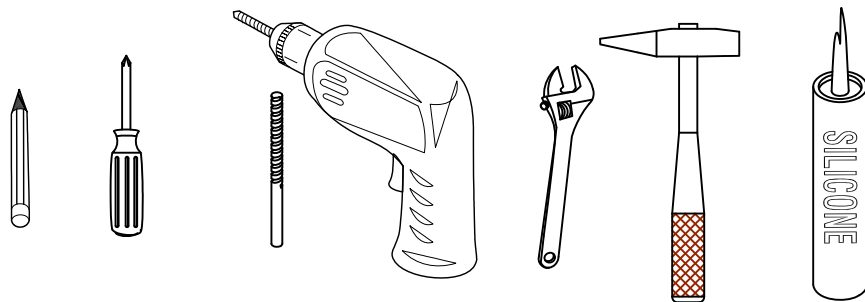
We encourage you to take a few minutes to go through this booklet. It contains important information on installation and care tips to keep your furniture looking as good as new.

Item NO.: BV B09430

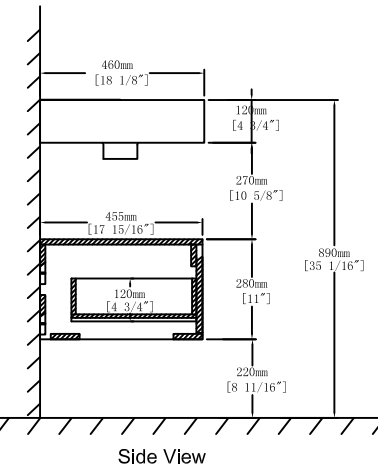
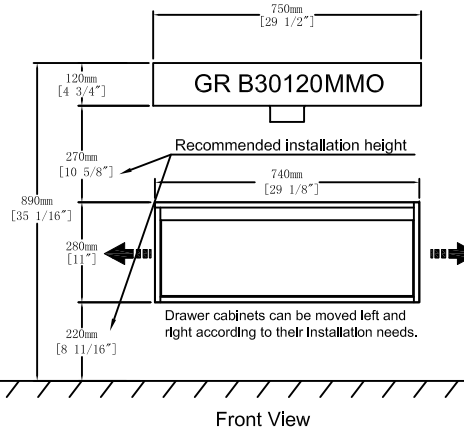
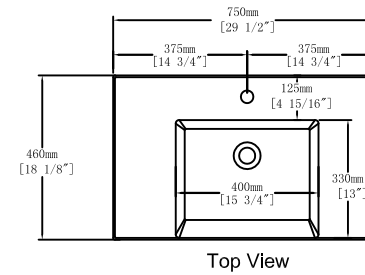
Hardware

NO.	Draw	QTY	NO.	Draw	QTY
A	 Plastic anchor(Ø12mm)	2	F	 45 degree wall hanging strip	2
B	 Screws for fix on the wall with basin	2	G	 Plastic anchor(Ø6mm)	4
C	 Plastic gasket	2	H	 Screws(Ø4 x 68mm)	4
D	 Metal gasket	2			
E	 Metal nut	2			

Recommended tools

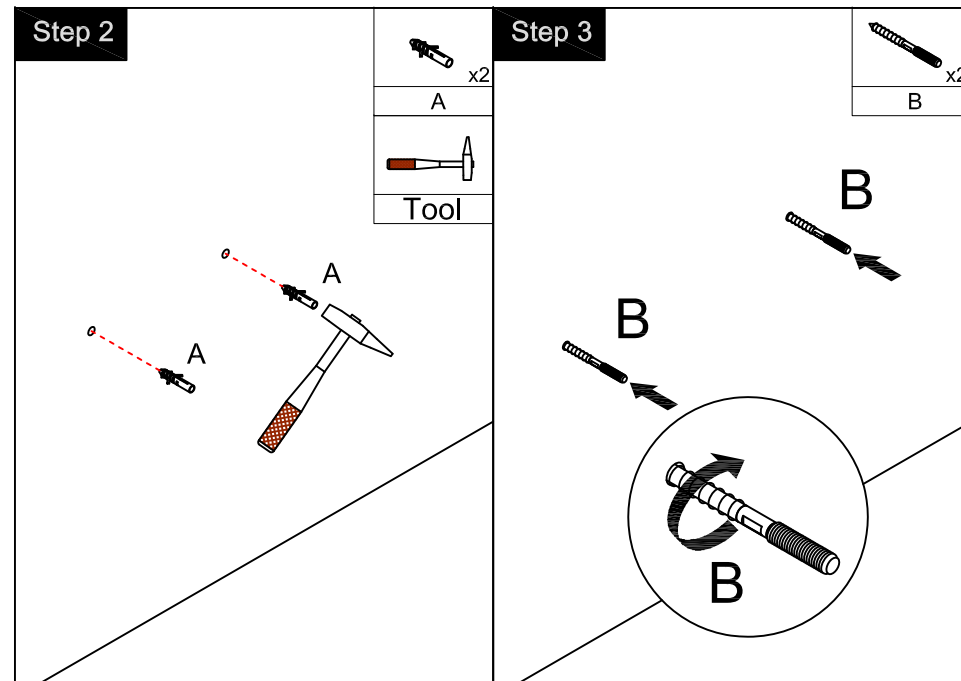
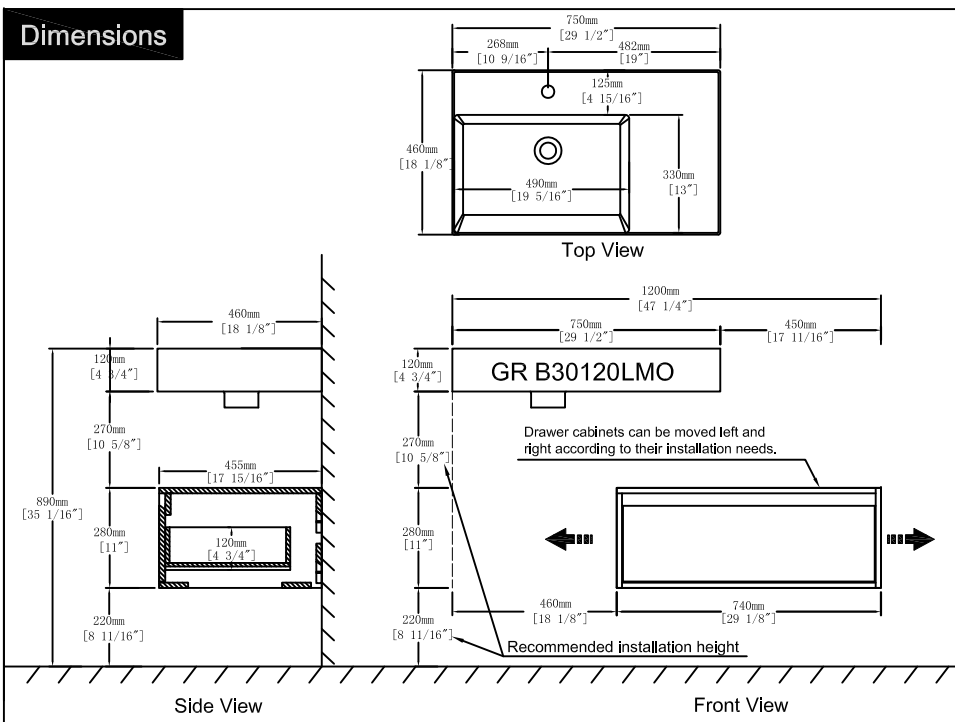
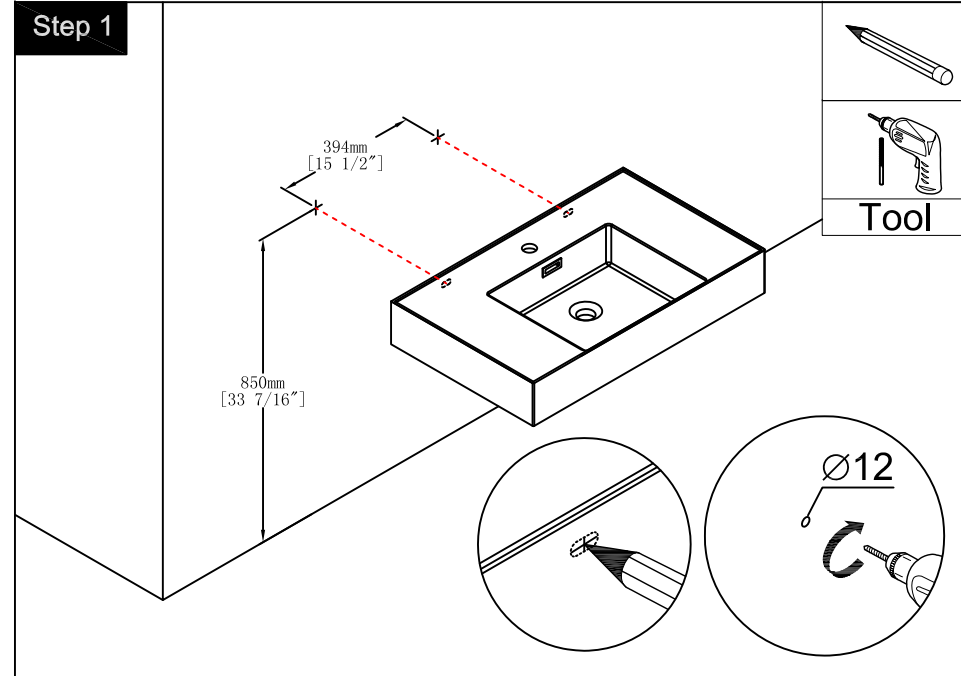
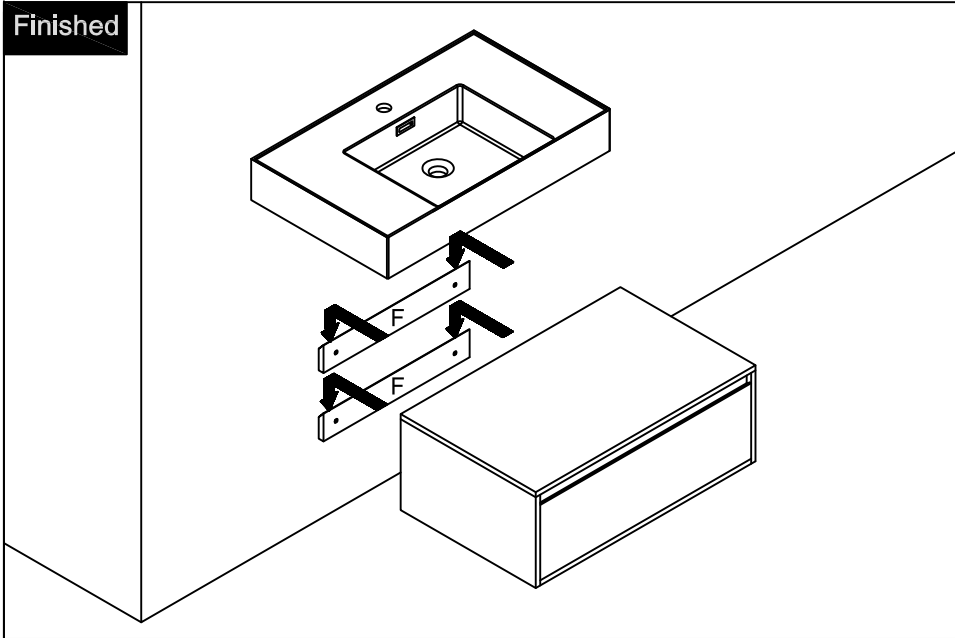


Dimensions

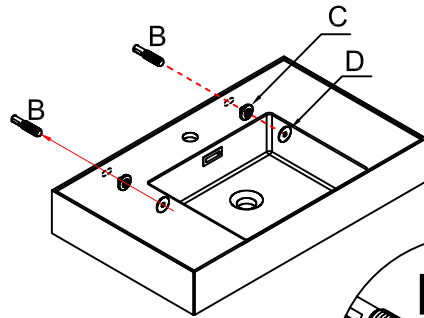




CARE CLEANING AND MAINTENANCE

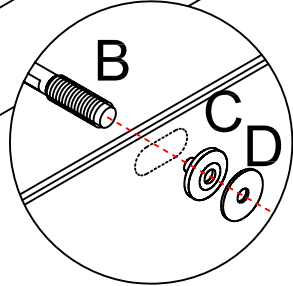
1. Dust regularly with a soft , dry cloth.
2. Avoid the use of all chemicals household cleaners, abrasives, or cleaners that contain lemon, vinegar, or other acids that may damage the finish.
3. Excessive exposure to sunlight and extreme changes in temperature and moisture can damage wood furniture.
4. The sink is fragile, please pay attention to maintaining its appearance.
5. Do not place hot appliances, such as curling irons and hot hair dryers directly on the countertop. Wipe spills immediately.



**Step 4**

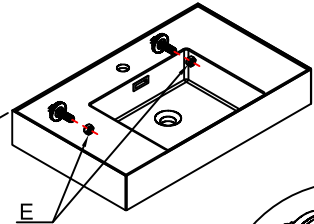
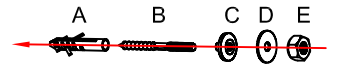




-  x2
- C
-  x2
- D

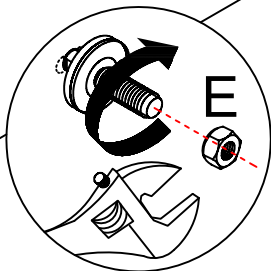


Place the basin in position against the wall, locating the fixing bolts through the holes in the rear of the basin. Push a plastic washer, followed by a metal washer, onto each fixing bolt.

**Step 5**

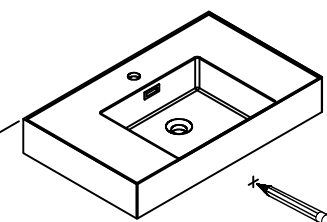


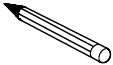

-  x2
- E
- 
- Tool



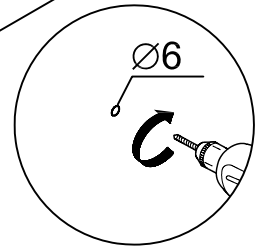
Screw a metal nut onto each fixing bolt to secure the basin. Caution: Do not overtighten, as this may damage the basin.

**Step 6**



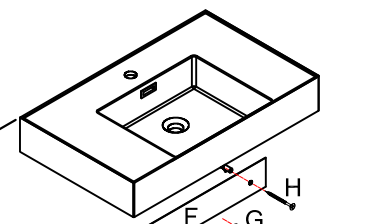
- 
- 
- Tool




890mm  
[35 1/16"]



The installation height and left and right positions of the drawer cabinet can be positioned as needed.

**Step 7**



-  x2
- F
-  x4
- G
-  x4
- H

890mm  
[35 1/16"]

