

COMMON PROBLEMS AND SOLUTIONS:

1. The pump cannot rise and down

Solution: The failure of the pump to rise and down may be caused by the wrong direction of the foot lever. For the correct direction, please check the prompts in the installation steps

2. Difficult to turn

Solution: Due to the new chair, in order to ensure the stability of the chair, all the connection parts will be tight. You can raise and lower the chair several times, and then rotate the chair to the highest position. As the number of uses increases, rotation will gradually become simple.

If you have any unsolvable problems, please contact us in time, we will do our best to help you solve them.

Hairdressing chair leather surface maintenance:

1. Avoid using hard objects to scratch the chair surface. The leather fabric is usually more wear-resistant, but it is easy to be scratched by hard objects. The sharp items such as scissors and razors used in the hair salon need to be placed properly. In addition, guests' zippers, The buttons scratched the leather surface of the hairdressing chair.

2. The leather surface material needs regular care. You can use the leather surface curing agent to spray and wipe the hair surface of the hairdressing chair from time to time for maintenance. If the chair surface is stained with dyes, perm agents and other difficult-to-clean items, you can use cotton cloth Wiping with a little petrol can effectively avoid hairdressing chair surface staining.

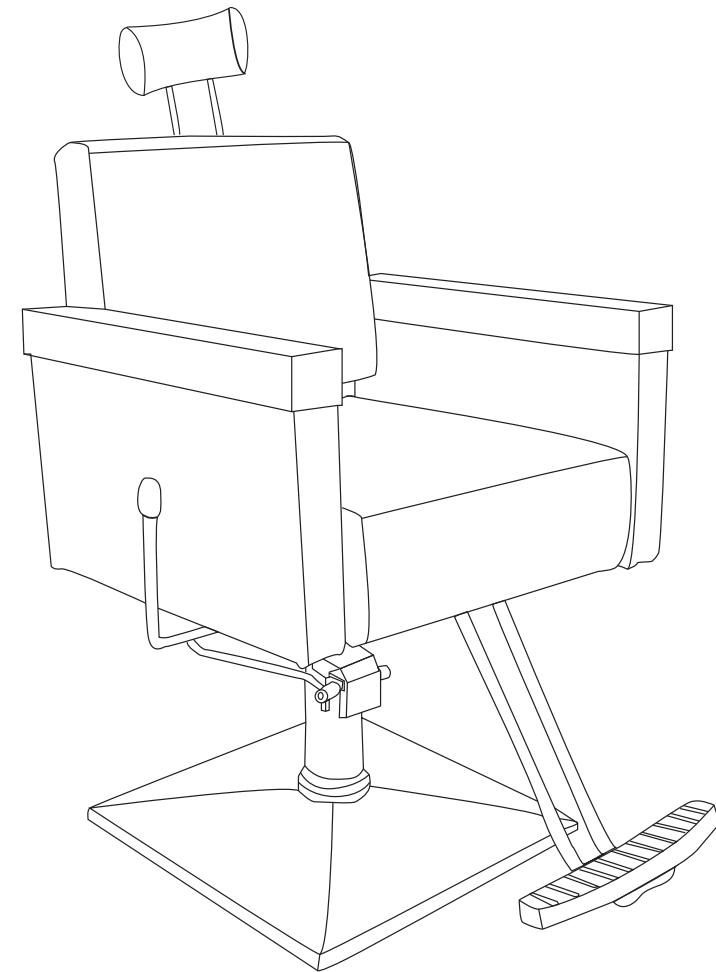
Hair pump oil pump care:

Oil pump: The main function is to adjust the height of the hairdressing chair through lifting. Generally, the oil pump will not have any quality problems. When buying the oil pump, be careful not to buy an oil pump that seeps oil. Usually, the hairdressing chair can be lifted by half-stepping. Putting one foot to the end and stepping on the way of half stop and half stop can effectively improve the service life of the hydraulic pump of the hairdressing chair.

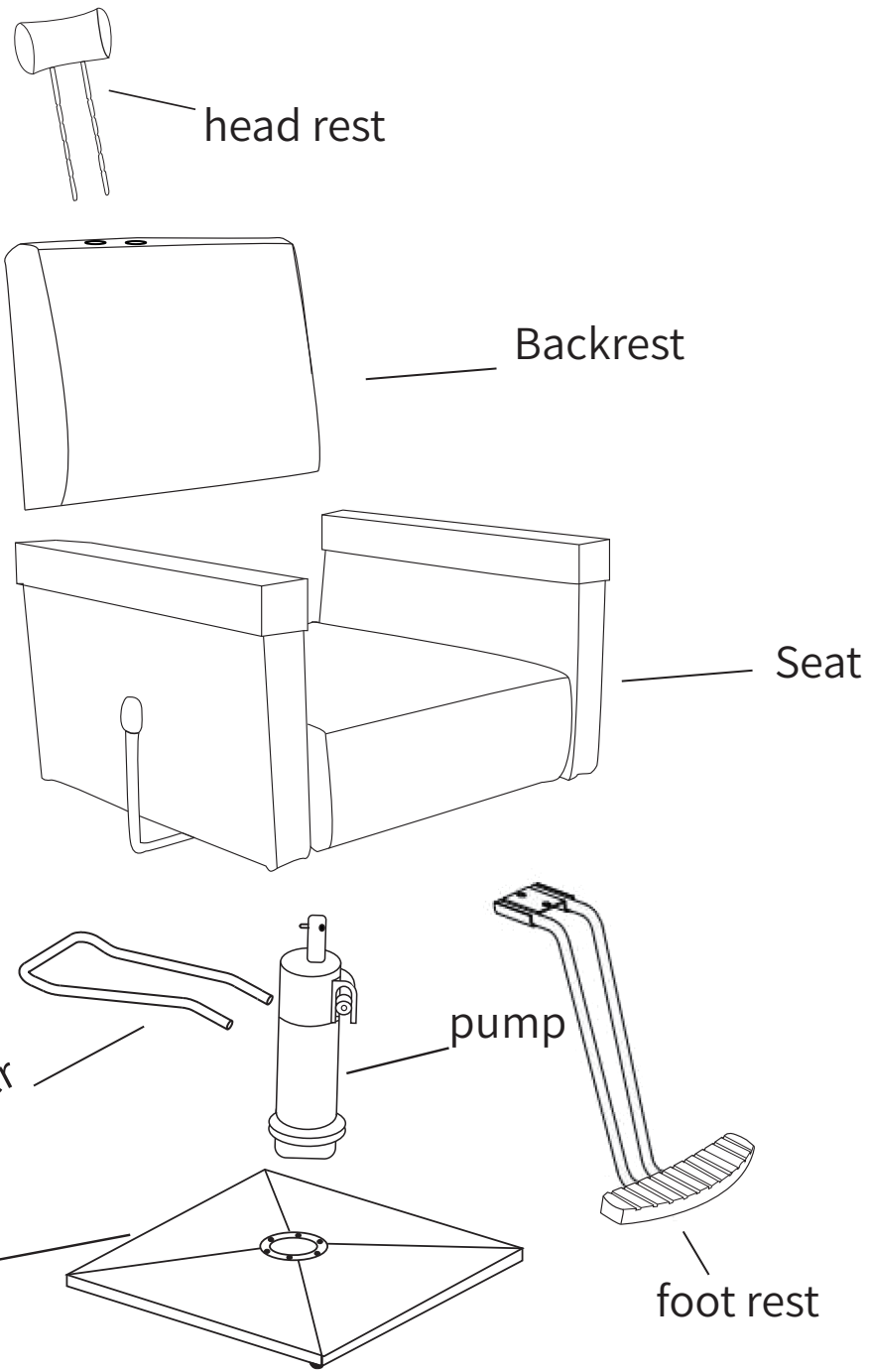
Hairdressing chair chassis care:





1. Do not wear on the electroplating chassis. You cannot use sandpaper or other materials to wipe the hairdressing chair chassis. The electroplated surface is usually chrome plated, which has the functions of anti-rust and anti-corrosion, so avoid grinding. If there is a bit of rust, you can choose to wipe with a dry cotton cloth. In addition, you need to clean the chassis frequently to keep the chassis clean and clean.

2. The stainless steel chassis is relatively easy to care, just wipe it often.



BARBER CHAIR

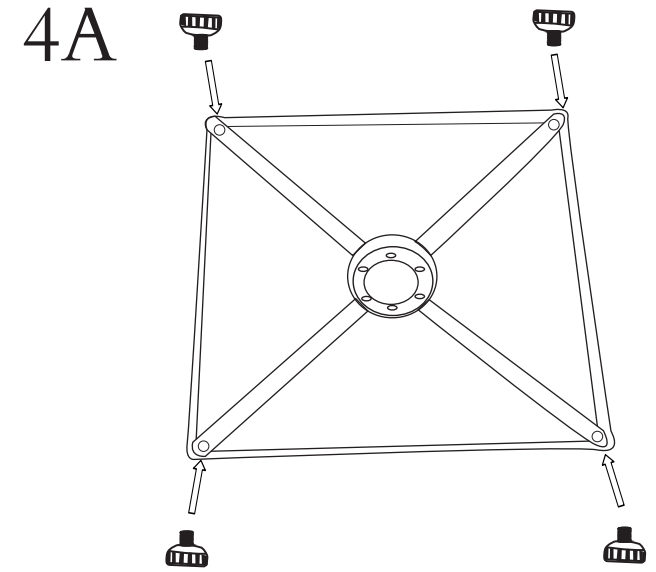


- 4A  X4 Base Screws
- 4B  X6 Pump Screws
-  X6 Spring Gaskets
-  Pump Latch

(Please note that 4A and 4B, 6*gaskets, 1*pump latch, are all in a yellow bag)

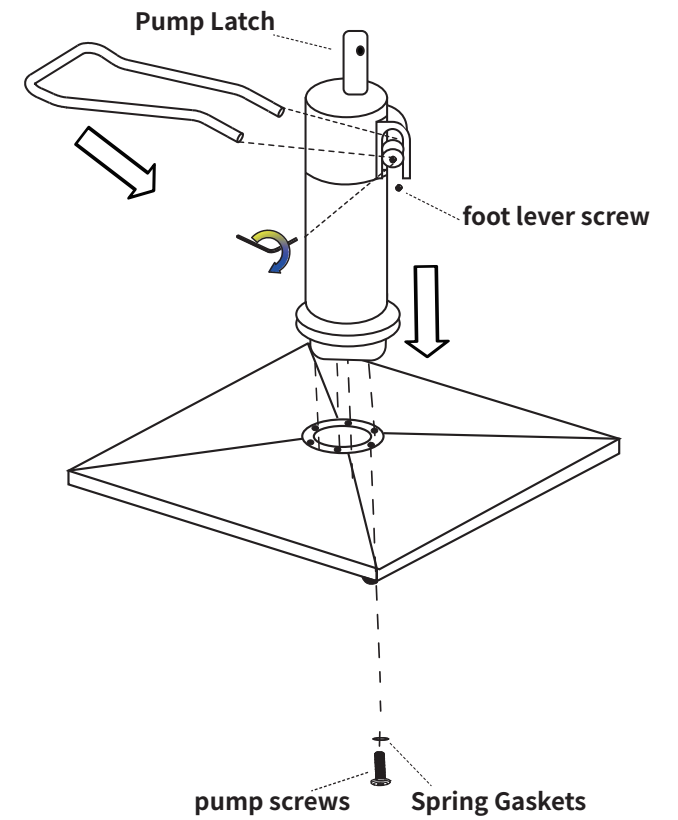
1

1



2

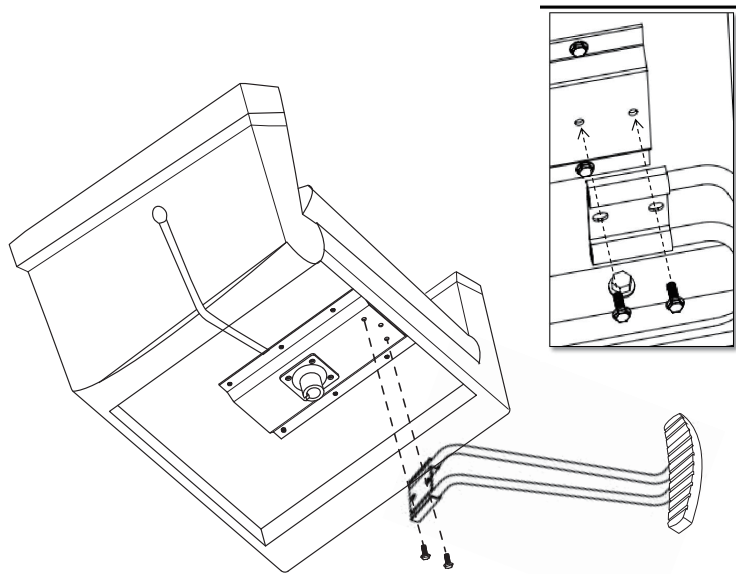
The foot lever screw is pre-installed on the pump. Please pay attention to this when you are installing foot bar.



2

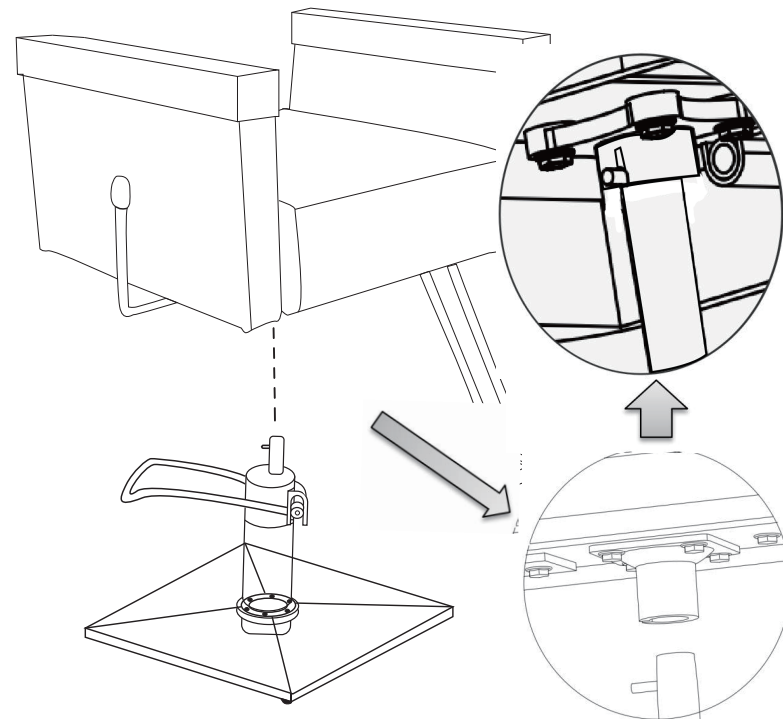
3

Please note that the foot rest and seat connection screws are pre-installed under the seat.



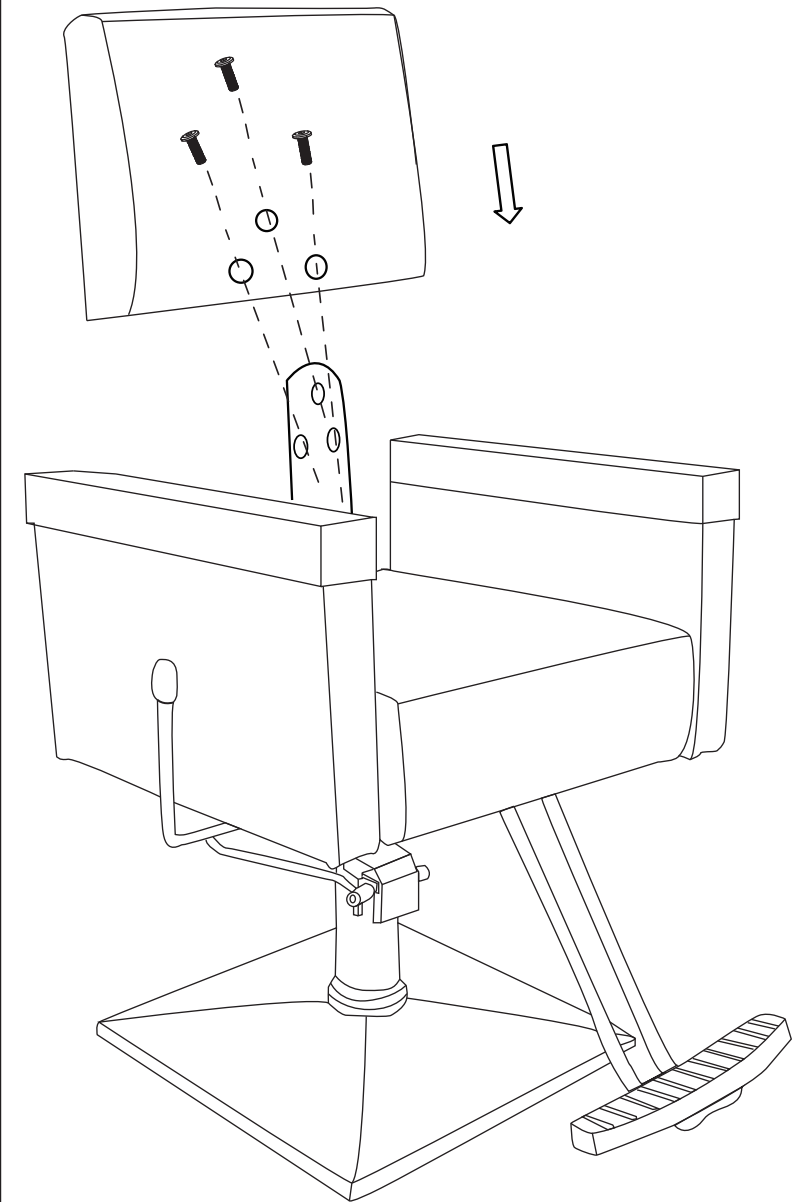
4

Please note that when the seat is placed on the pump, the latch of the pump needs to be aligned with the grooves of the tray.



5

Please note that the screws connecting the backrest to the seat are pre-installed on the backrest.



4

