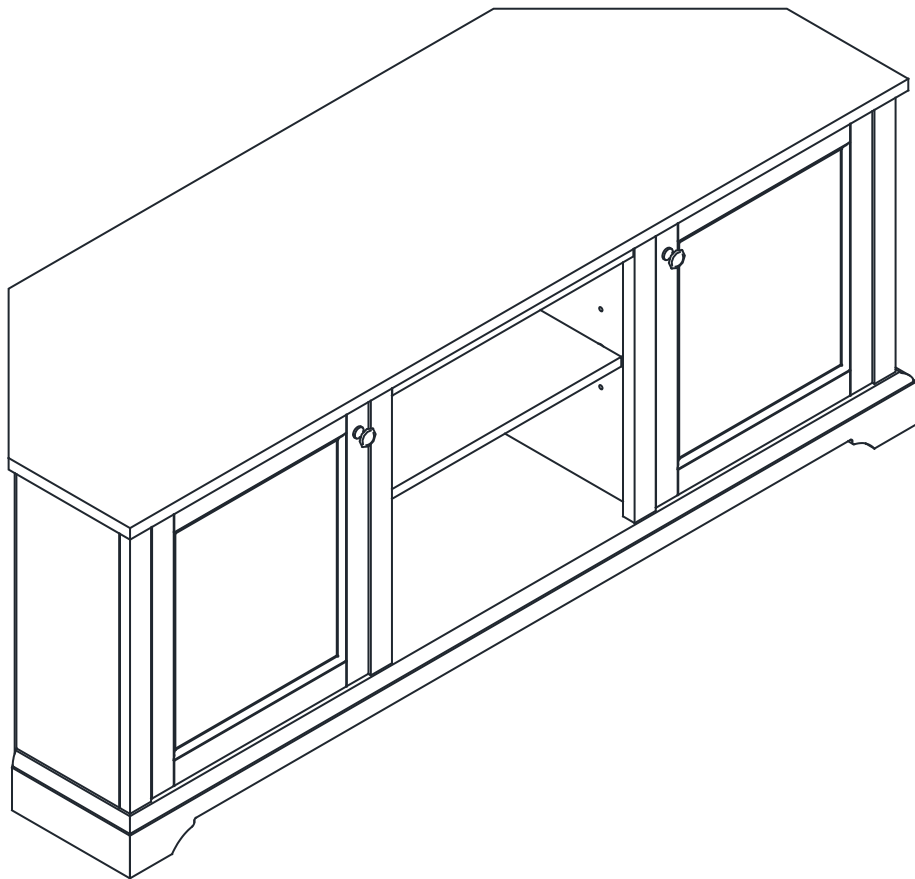


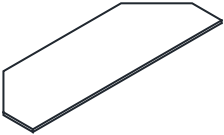
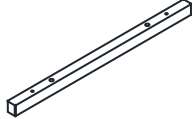
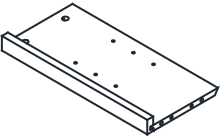
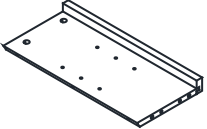
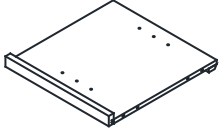
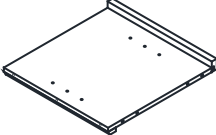
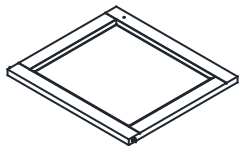
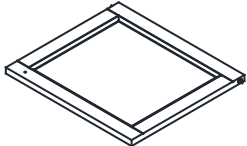
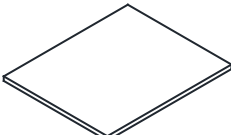
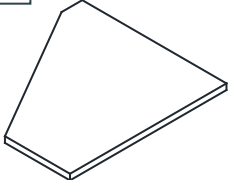
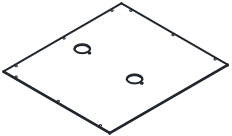
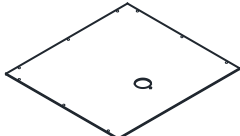
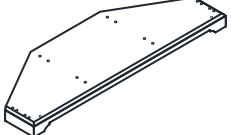
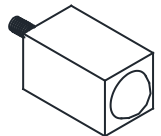

CROSLEY

FURNITURE

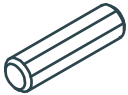
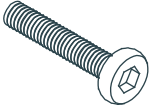




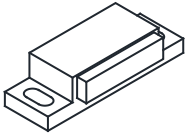
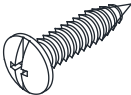
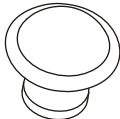
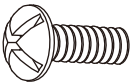

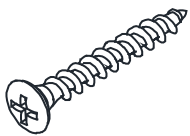


Corner TV Stand for 65+ Inch TV CF101558



PART LIST

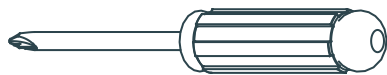
A 	B 	C 	D 	E 
Top Panel 1 PC	Front Top Rail 1 PC	Left Panel 1 PC	Right Panel 1 PC	Left Partition Panel 1 PC
F 	G 	H 	I 	J 
Right Partition Panel 1 PC	Left Door 1 PC	Right Door 1 PC	Middle Adjustable Shelf 1 PC	Side Adjustable Shelf 2 PCS
K 	L 	M 	N 	O 
Middle Back Panel 1 PC	Side Back Panel 2 PCS	Bottom Panel 1 PC	Support Leg 1 PC	Cover 4 PCS

HARDWARE LIST

<p>#1</p>  <p>Ø8mm*1-1/8"</p>	<p>#2</p>  <p>Ø1/4"*1-1/4"</p>	<p>#3</p> 	<p>#4</p> 	<p>#5</p> 
<p>Wood Dowel 18 PCS (Extra 1)</p>	<p>Bolt 8 PCS (Extra 1)</p>	<p>Cam Bolt 8 PCS (Extra 1)</p>	<p>Cam Lock 8 PCS (Extra 1)</p>	<p>Round Head Screw 27 PCS (Extra 1)</p>
<p>#6</p> 	<p>#7</p> 	<p>#8</p> 	<p>#9</p> 	<p>#10</p>  <p>Ø5/32"*1"</p>
<p>Shelf Holder 12 PCS (Extra 1)</p>	<p>Magnet 2 PCS</p>	<p>Short Screw 4 PCS (Extra 1)</p>	<p>Knob 2 PCS</p>	<p>Round Head Bolt 2 PCS (Extra 1)</p>
<p>#11</p> 	<p>#12</p> 	<p>#13</p>  <p>4mm</p>	<p>#14</p> 	
<p>Binding Post 4 SETS</p>	<p>Long Screw 2 PCS (Extra 1)</p>	<p>Allen Wrench 1 PC</p>	<p>Cam Sticker 8 PCS (Extra 1)</p>	

ADDITIONAL TOOLS (Not Provided)

Note: It is not recommended to use power tools during assembly.



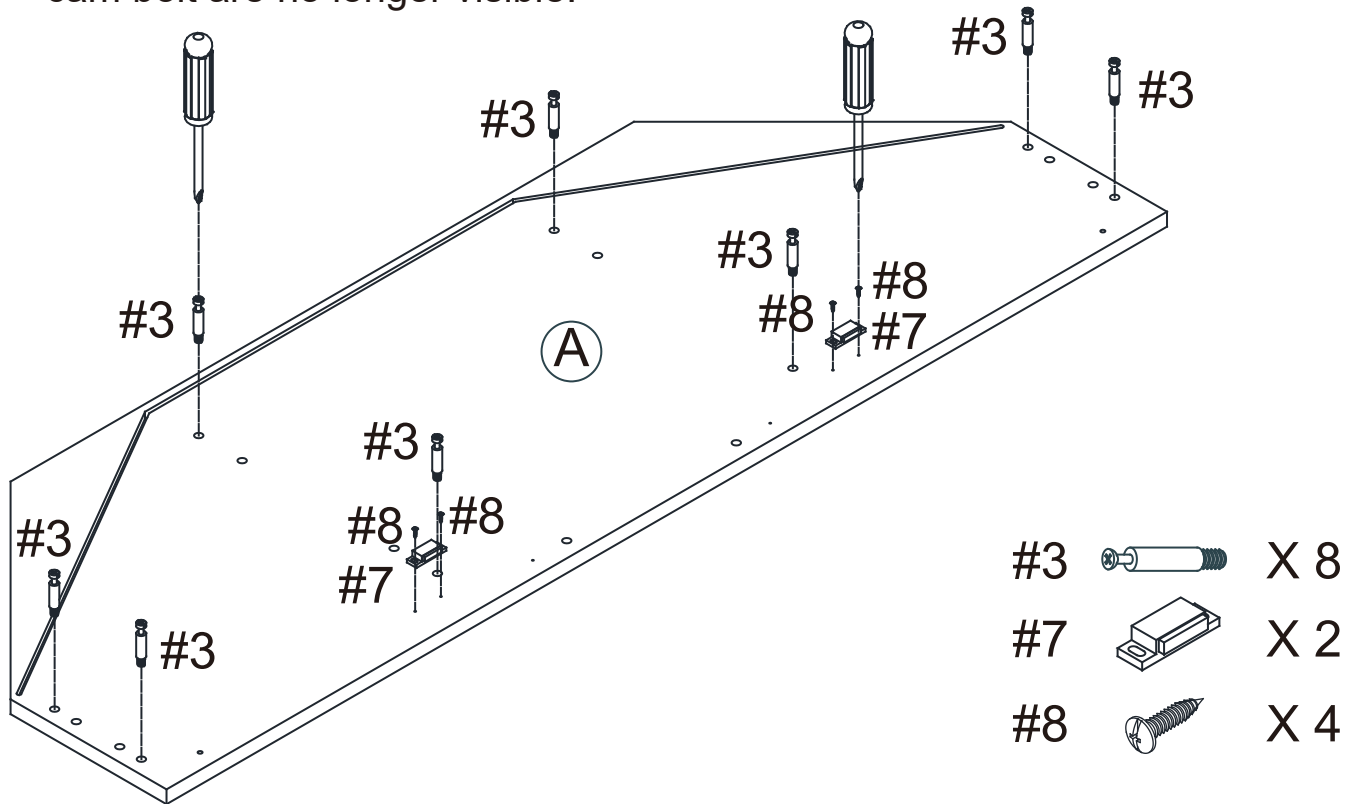
Phillips Head Screwdriver

Note: Wood dowels are intended for alignment. Additional clearance between wood dowel and pre-drilled hole is intentional for ease of assembly.

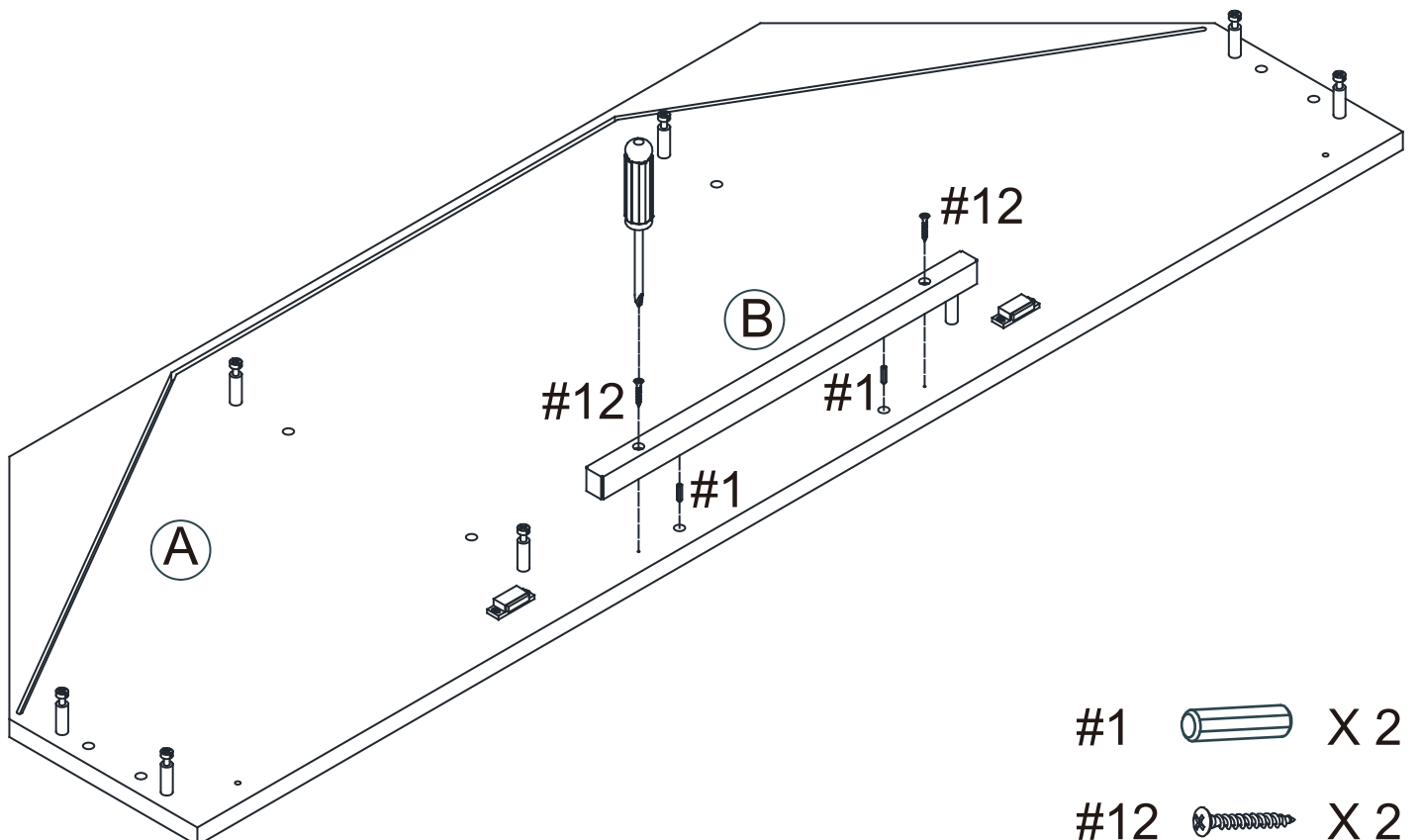
Step 1. Attach magnets (part #7) to top panel (part A) using short screws (part #8) and phillips head screwdriver.

Attach cam bolts (part #3) to top panel (part A) using phillips head screwdriver.

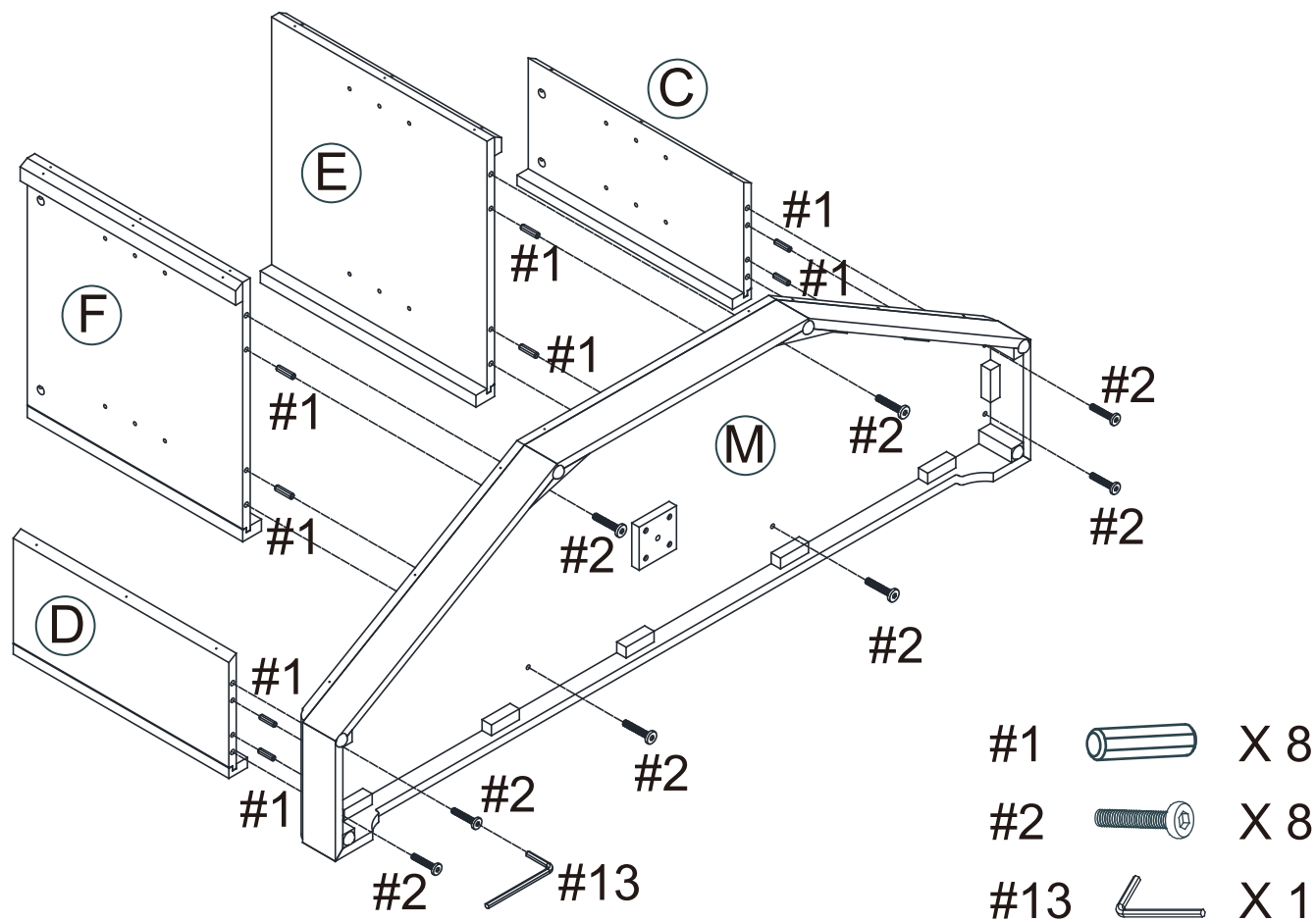
Note: Do not overtighten cam bolts. Stop tightening once threads on cam bolt are no longer visible.



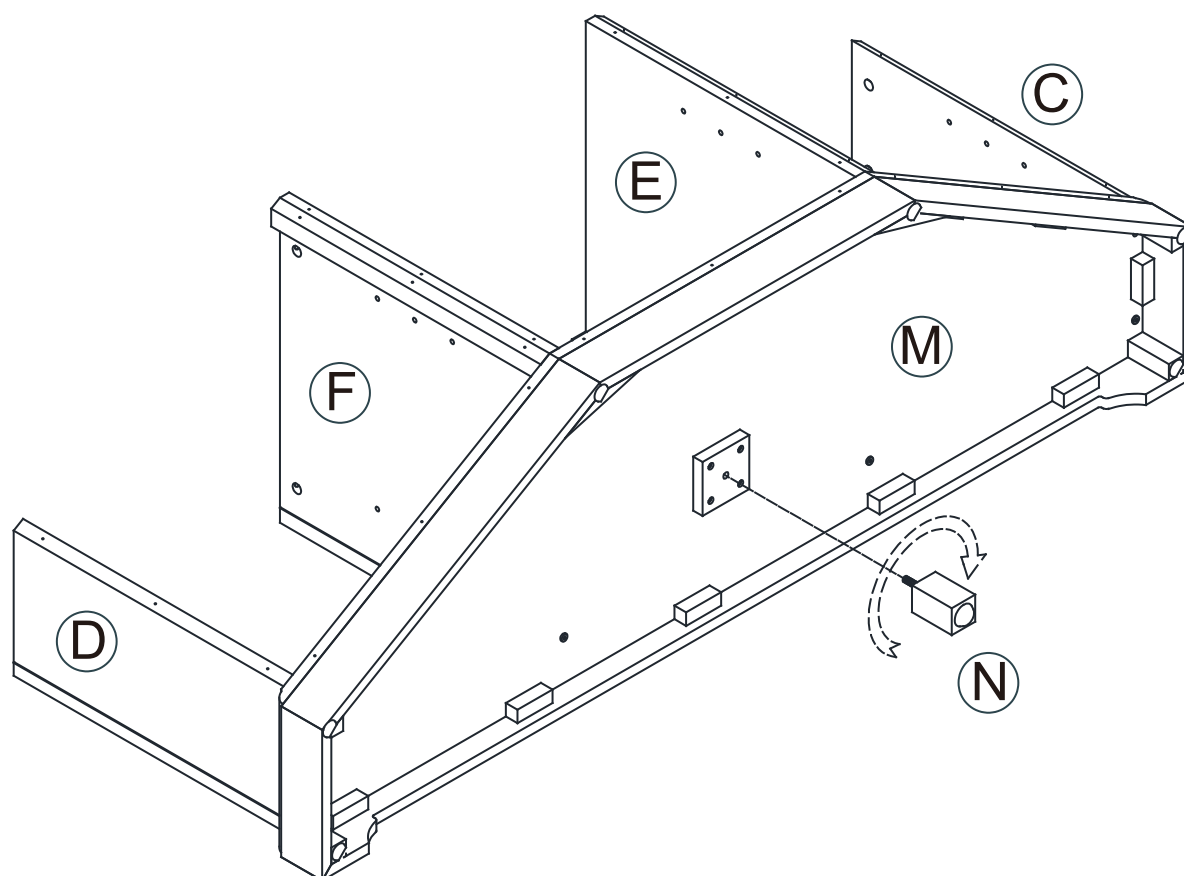
Step 2. Attach front top rail (part B) to top panel (part A) using wood dowels (part #1), long screws (part #12) and phillips head screwdriver.



Step 3. Attach panels (parts C, D, E & F) to bottom panel (part M) using wood dowels (part #1), bolts (part #2) and allen wrench (part 13).

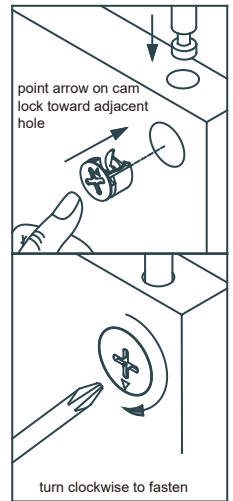
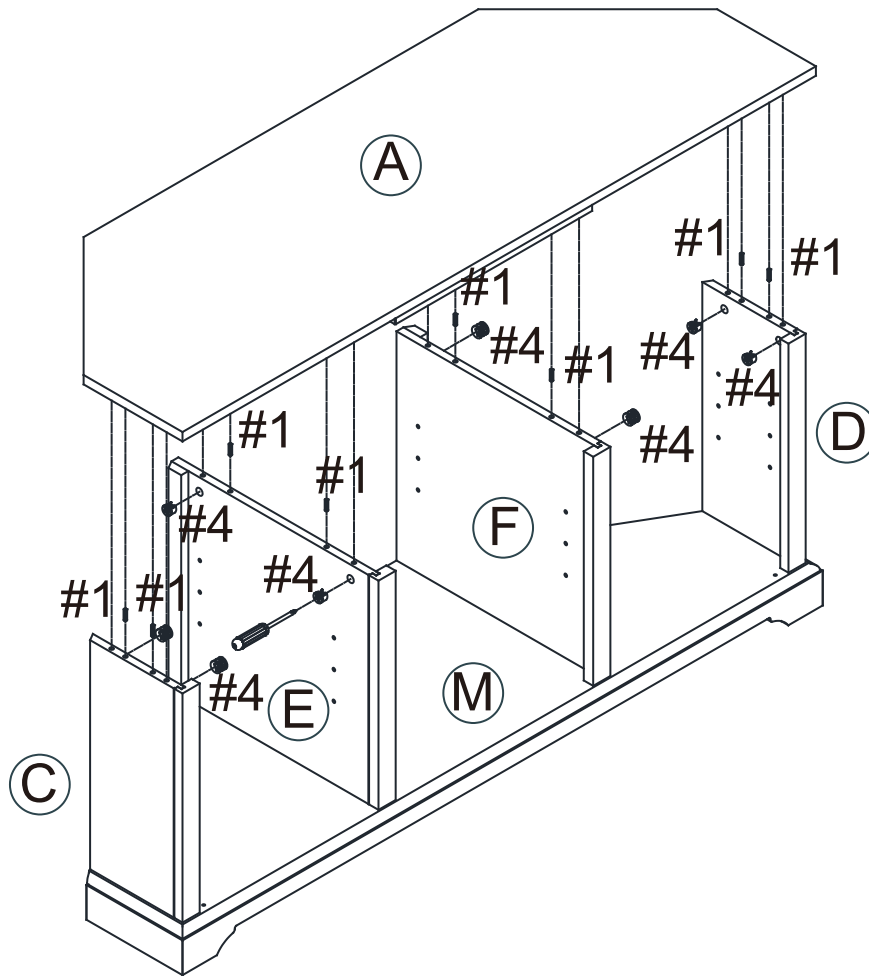


Step 4. Attach support leg (part N) to bottom panel (part M).



Step 5. Carefully turn unit upright.

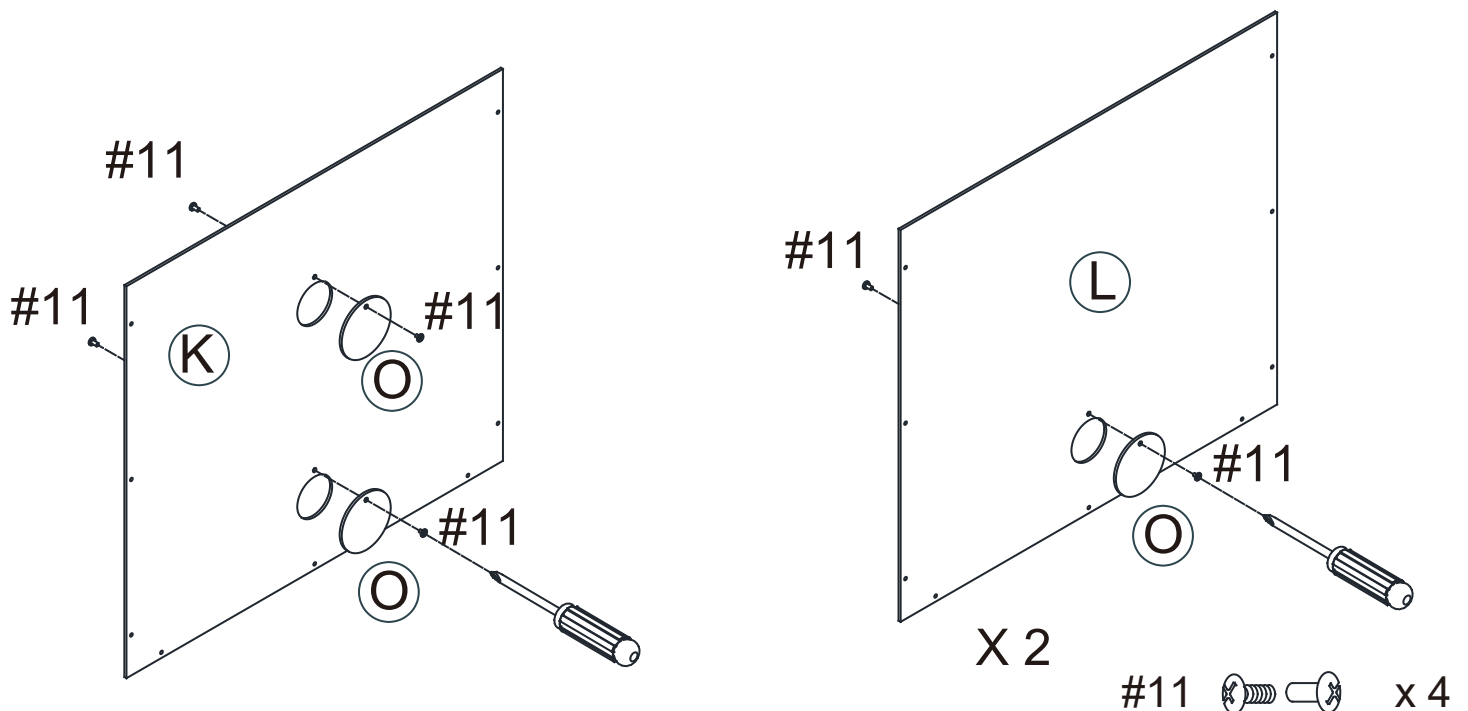
Attach top panel (part A) to assembled unit (parts C, D, E & F) using wood dowels (part #1), cam locks (part #4) and phillips head screwdriver.
 Note: Cam locks must rotate a full 180°. See pictured insert.



#1  X 8

#4  X 8

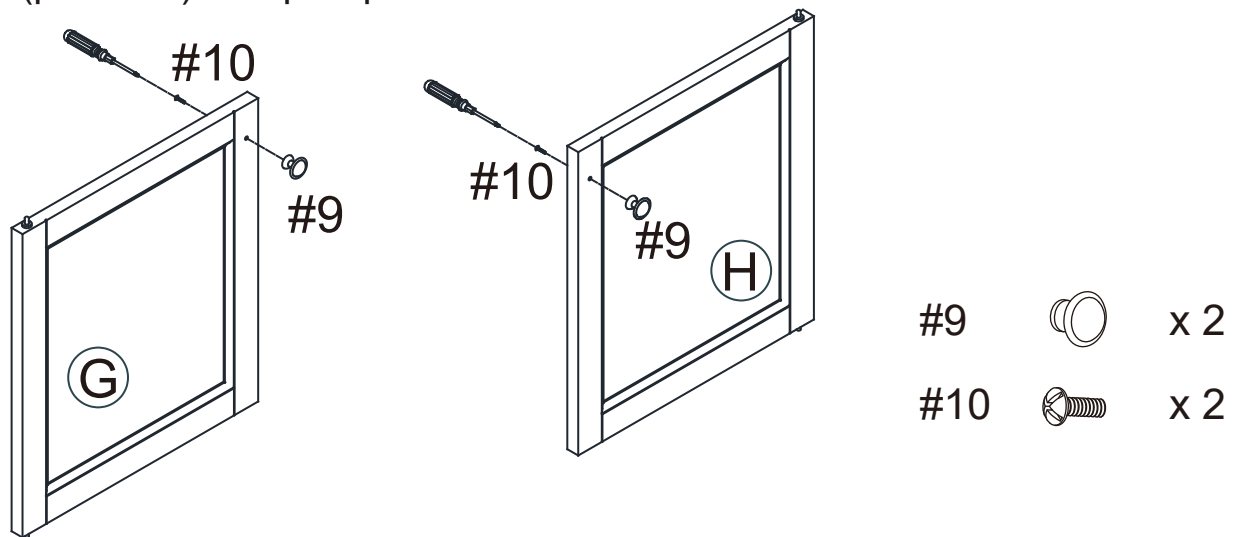
Step 6. Attach covers (part O) to back panels (parts K & L) using binding posts (part #11) and phillips head screwdriver.



X 2

#11  x 4

Step 9. Attach knobs (part #9) to doors (parts G & H) using round head bolts (part #10) and phillips head screwdriver.

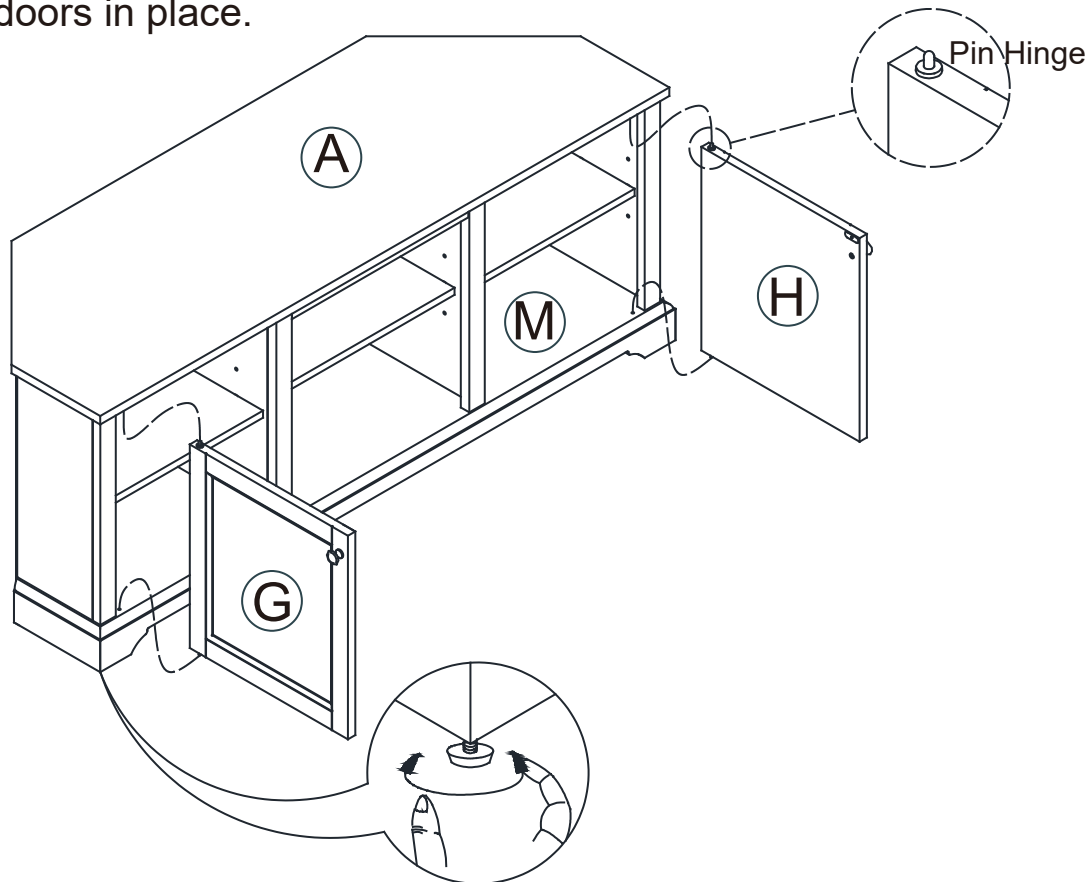


Step 10. Attach doors (parts G & H) by placing pin hinges (pre-installed in door) in the pre-drilled hole of bottom panel (part M).

Then depress the top spring-loaded pin hinges so it can be placed in the pre-drilled hole of top panel (part A).

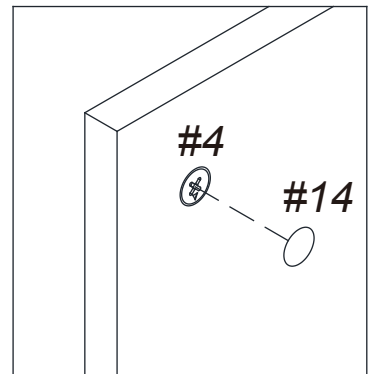
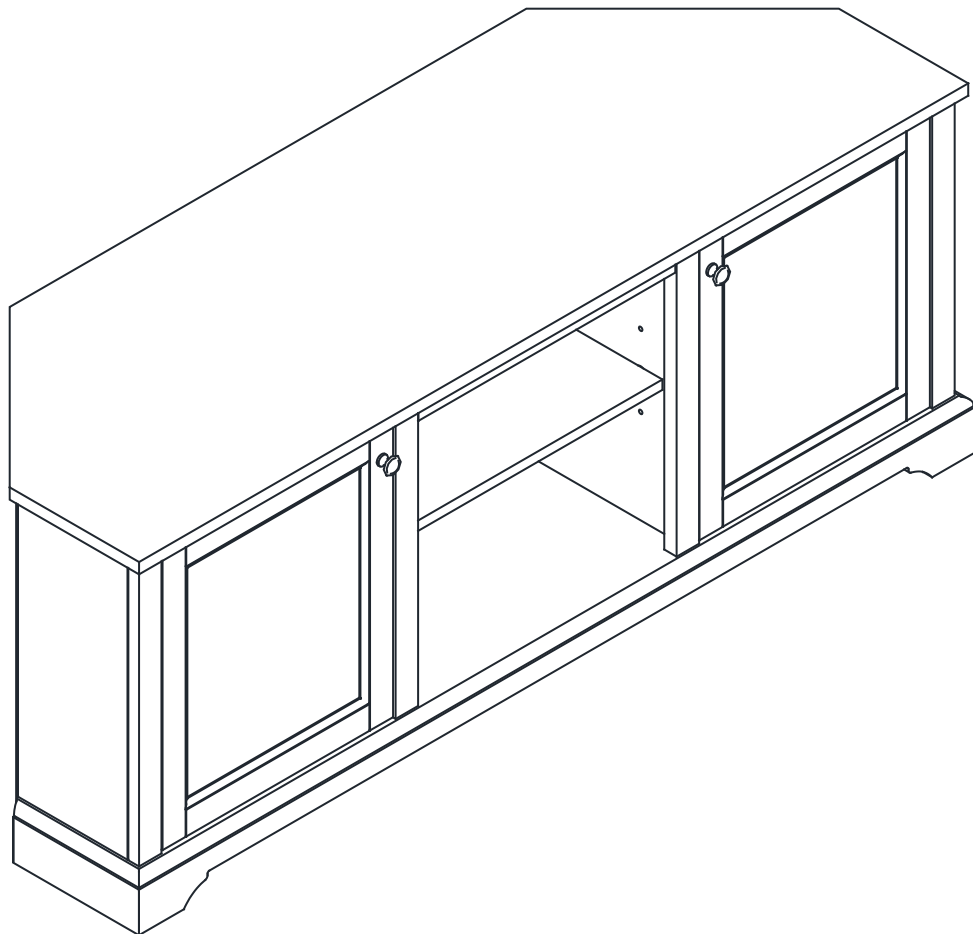
If you would like to add an electric fireplace (*Not Included), please follow step 12.

Note: Be sure top and bottom pin hinges are fully extended to secure doors in place.



Note: It is important to adjust levelers once fully assembled and upright. Extend adjustable leveler until it's firmly in contact with the floor. If relocating, adjust leveler as needed until it's firmly in contact with the floor in new location.

Step 11. Using cam stickers (part #14) cover all cam locks (part #4).



#14  x 8

Step 12. Fireplace Assembly: Remove middle adjustable shelf (part I) and middle back panel (part K). Install electric fireplace (*Not Included) into the unit following the assembly instructions of the electric fireplace.

