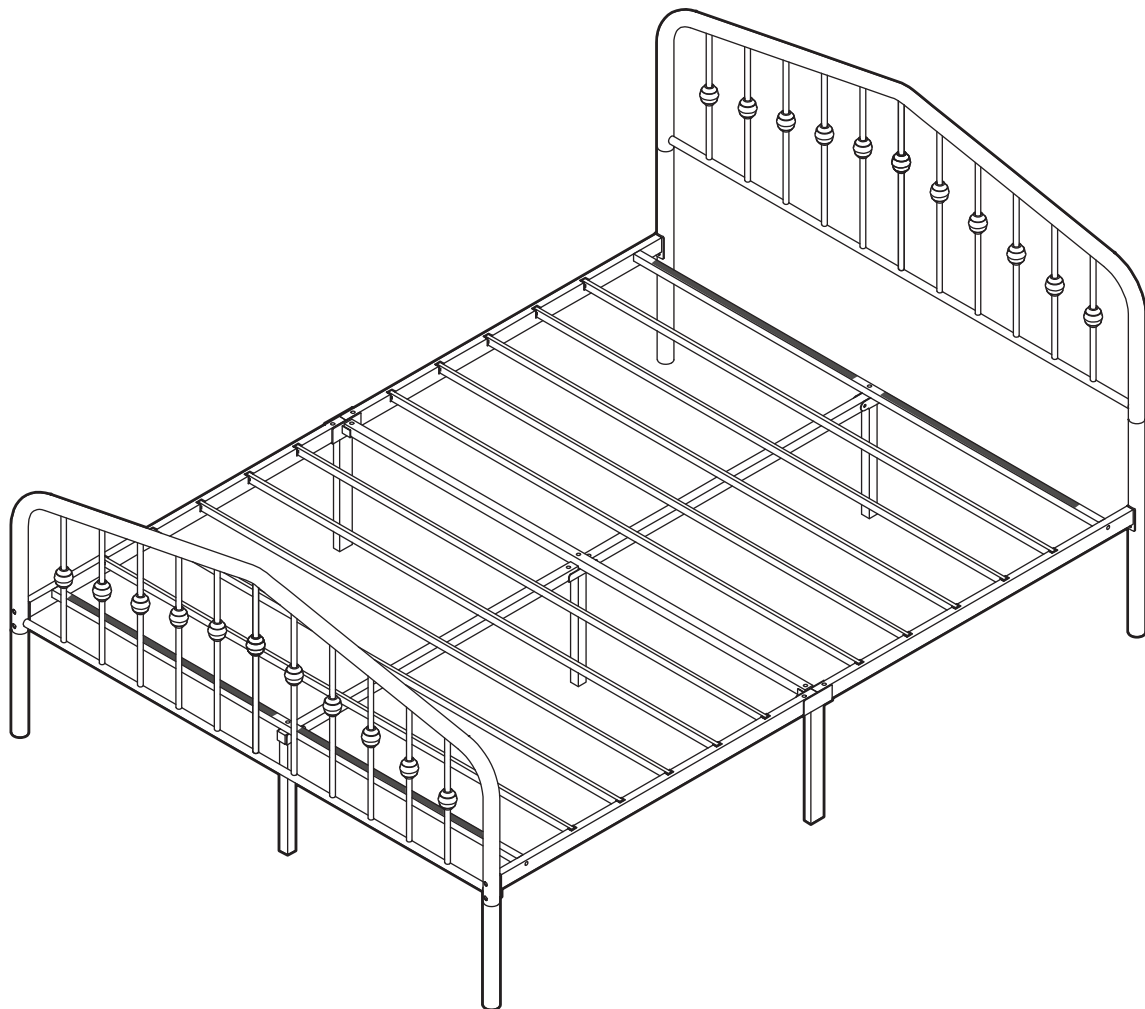


Bed Frame

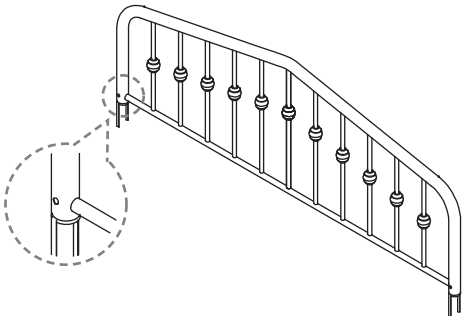
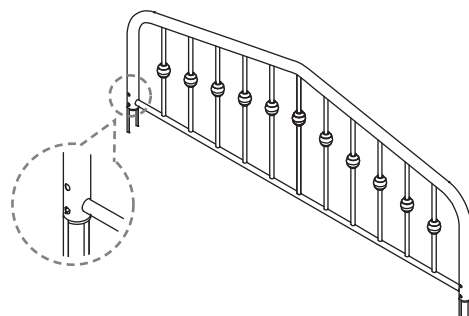
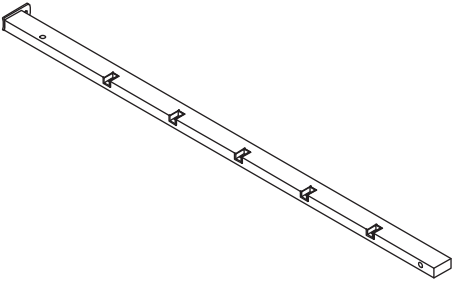
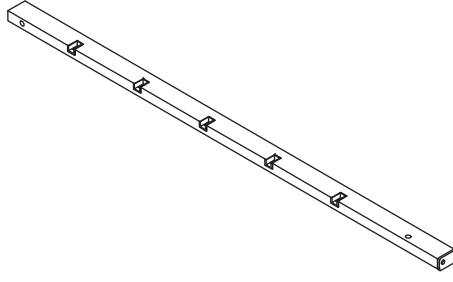
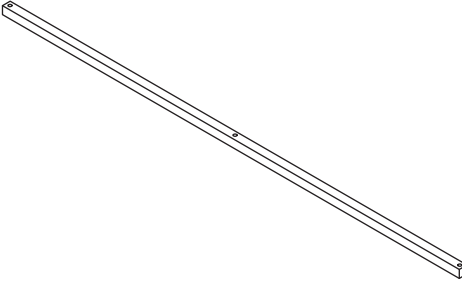
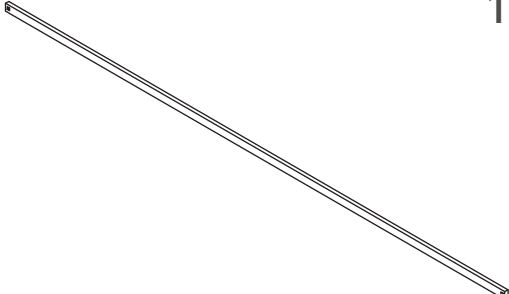
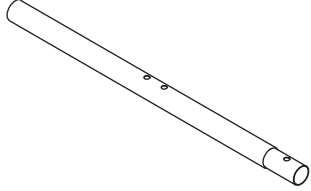
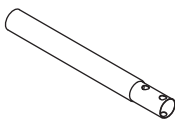
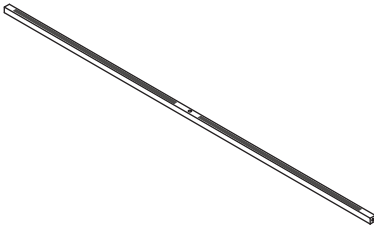
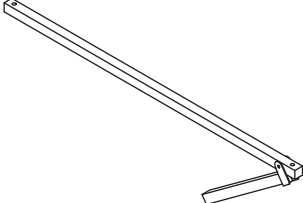
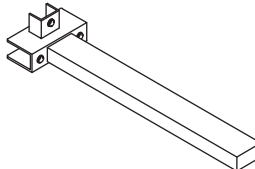
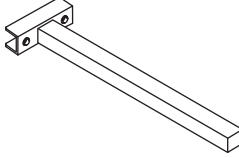
ORIGINAL INSTRUCTION MANUAL

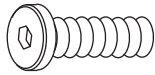
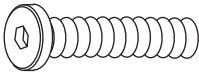
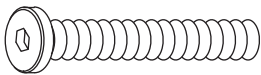
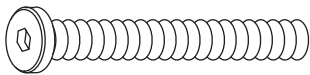
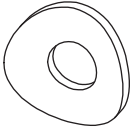
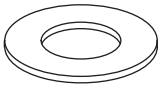



DEAR CUSTOMER,

Thank you for choosing our product. Please read this manual carefully before assembling or using the product, to avoid damage caused by improper use. If the product is passed on to third parties, this manual has to be passed on along with the product. For any question don't hesitate to contact us.

PARTS LIST

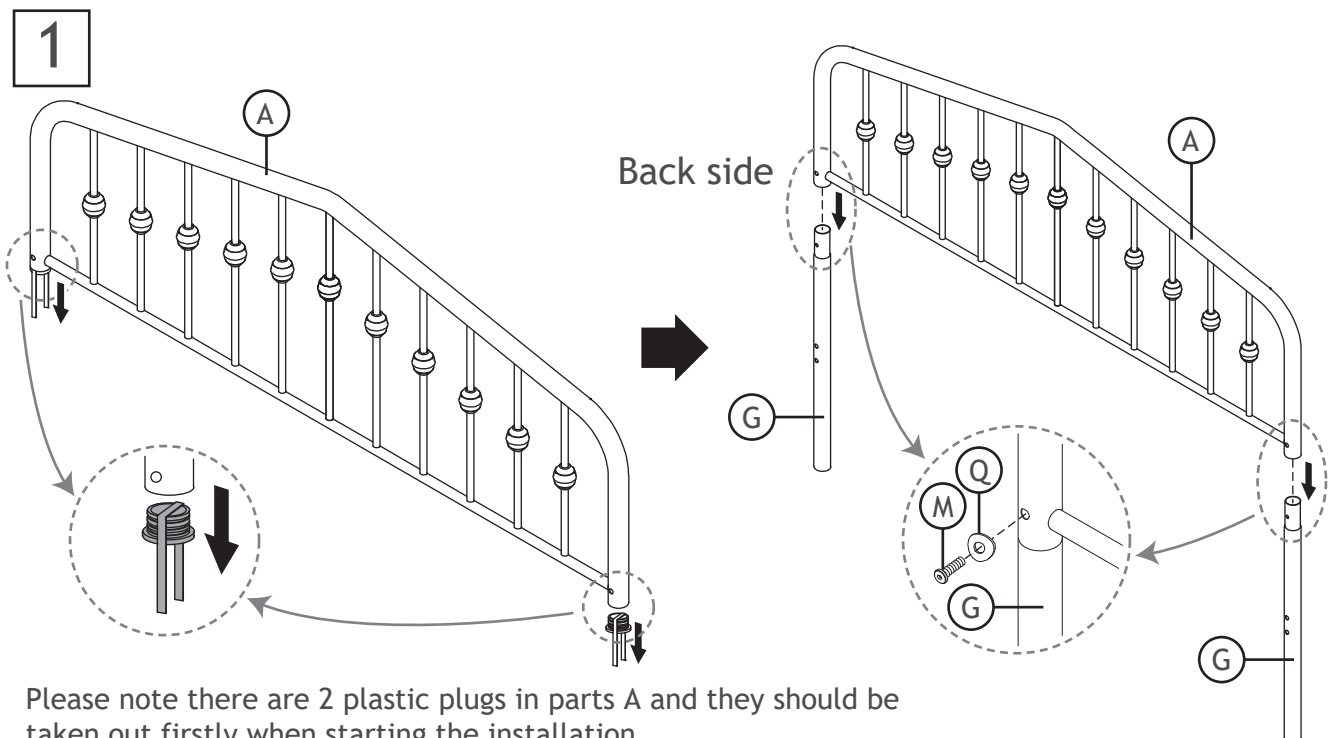
A  1x	B  1x	
C  2x	D  2x	
E  1x	F  10x	
G  2x	H  2x	I  2x
J  2x	K  2x	L  1x

M	2×	N	8×
 M8×20mm		 M8×35mm	
O	12×	P	3×
 M8×50mm		 M8×60mm	
Q	10×	R	3×
			
		S	
		 M8 Spanner	
		1×	

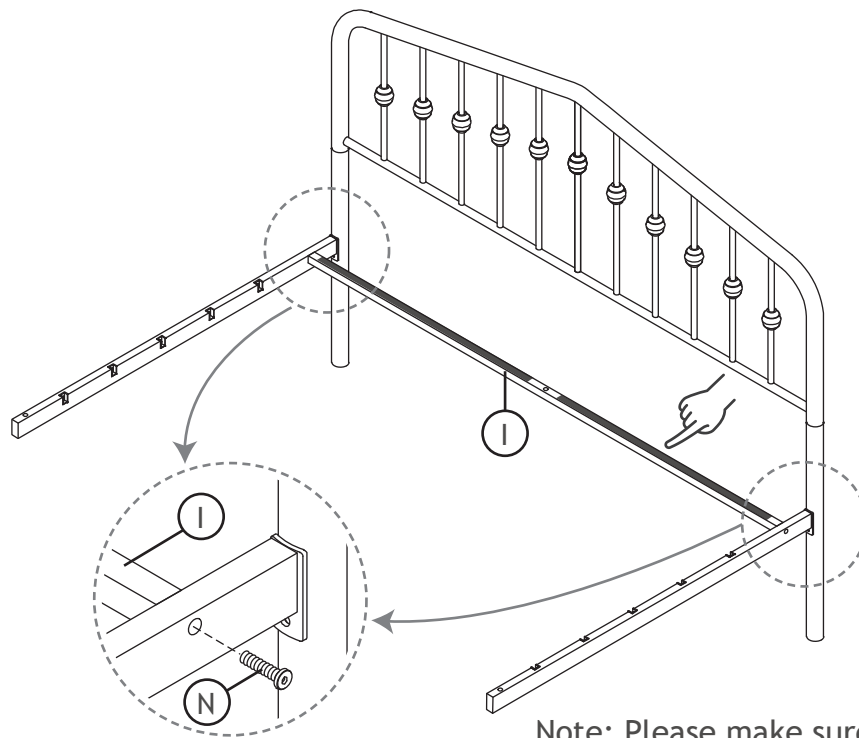
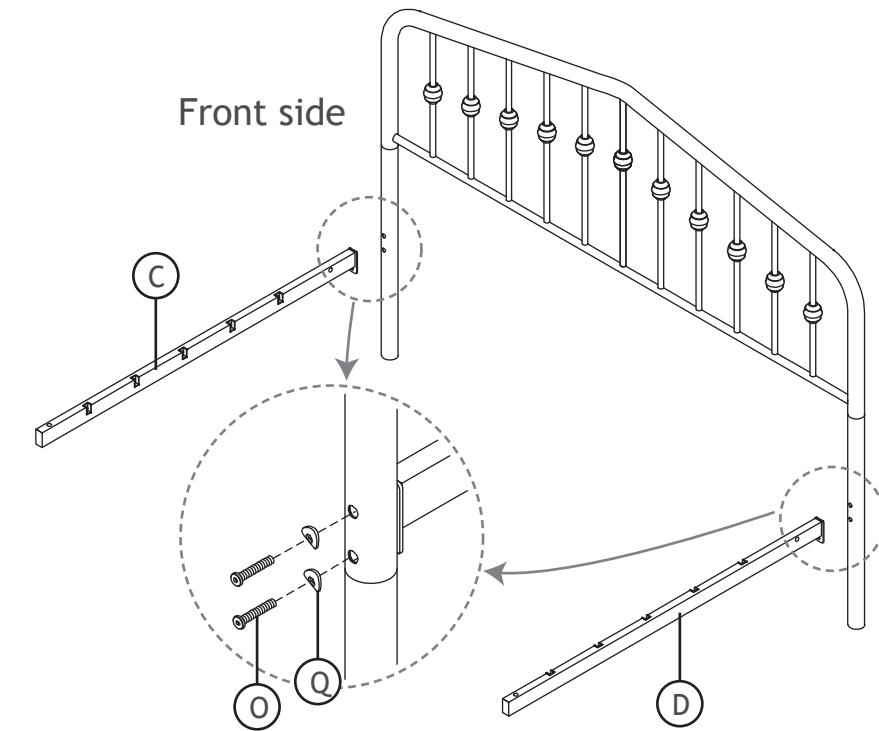
ASSEMBLY

Before your installation, please make sure that you have all the parts listed on the manual. If you find something missing, stop installing and contact your supplier immediately.

NOTE: Please do not completely tighten all the hardware until the entire assembly is completed!

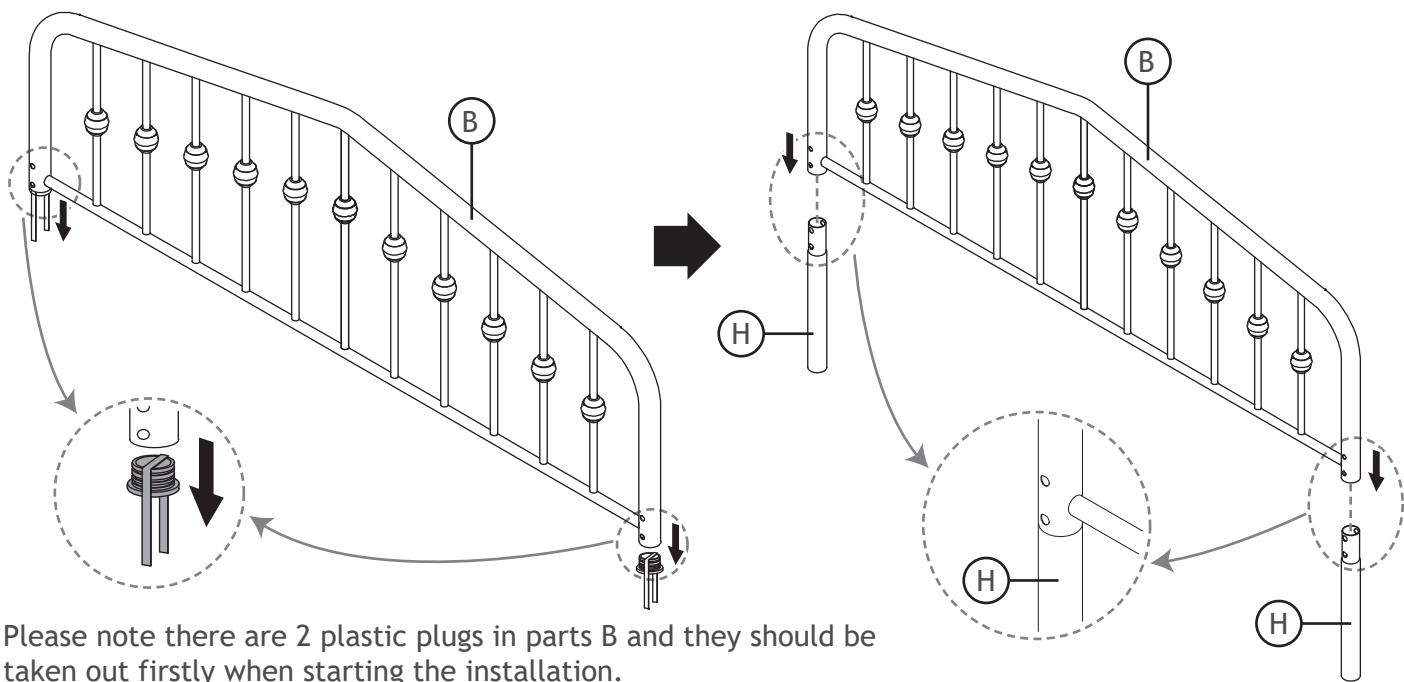


2

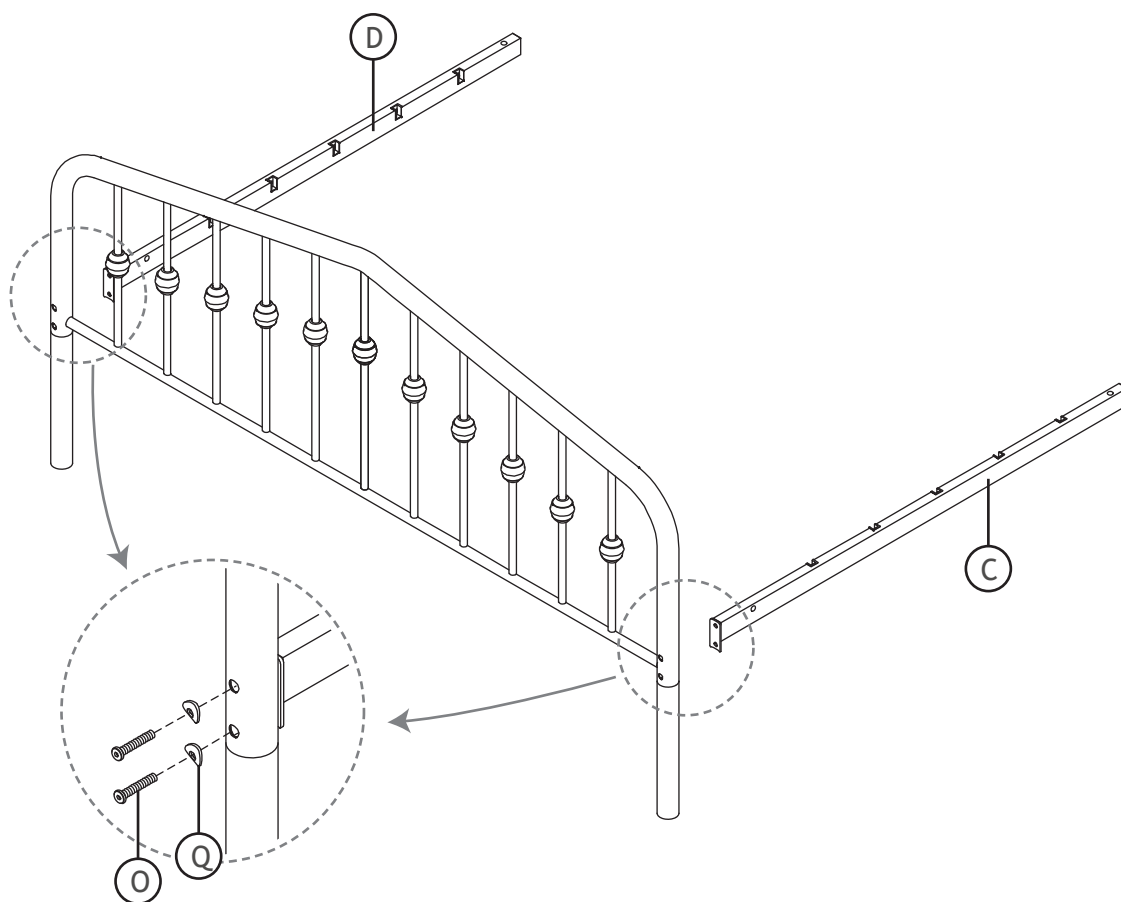


Note: Please make sure the adhesive strips are up when you install the metal beam I.

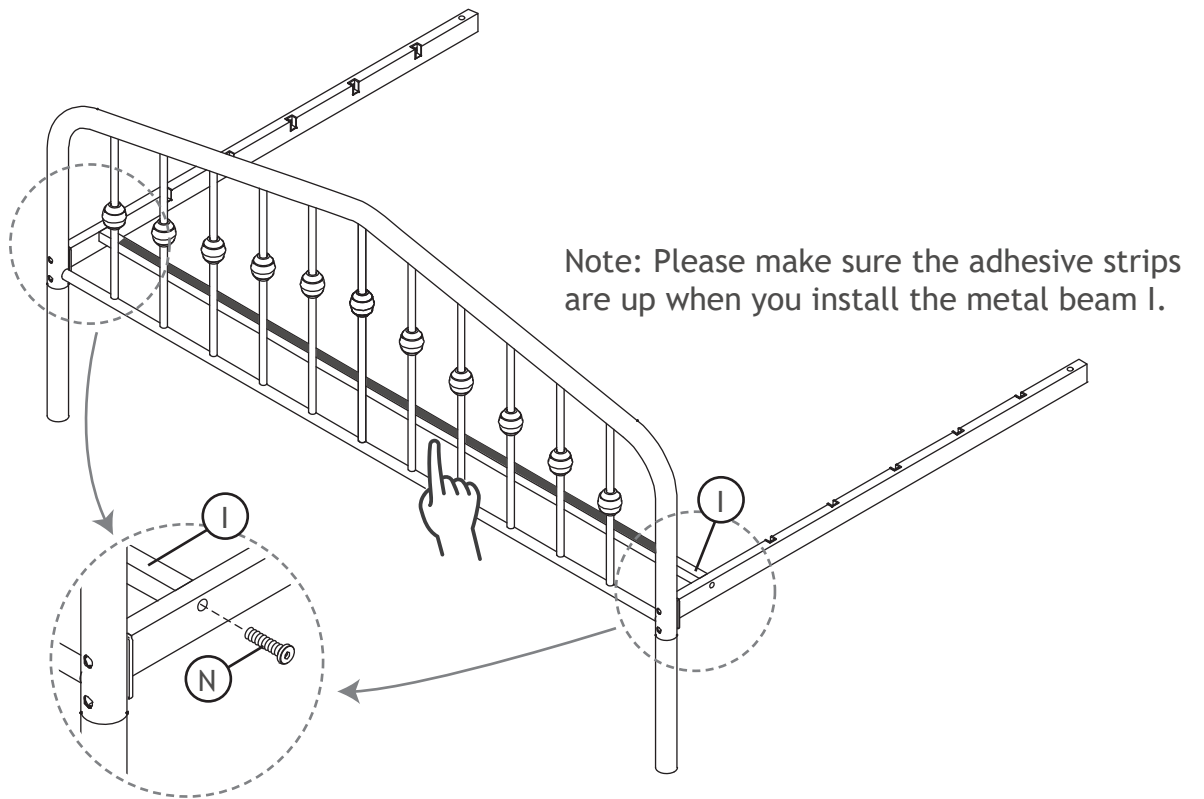
3



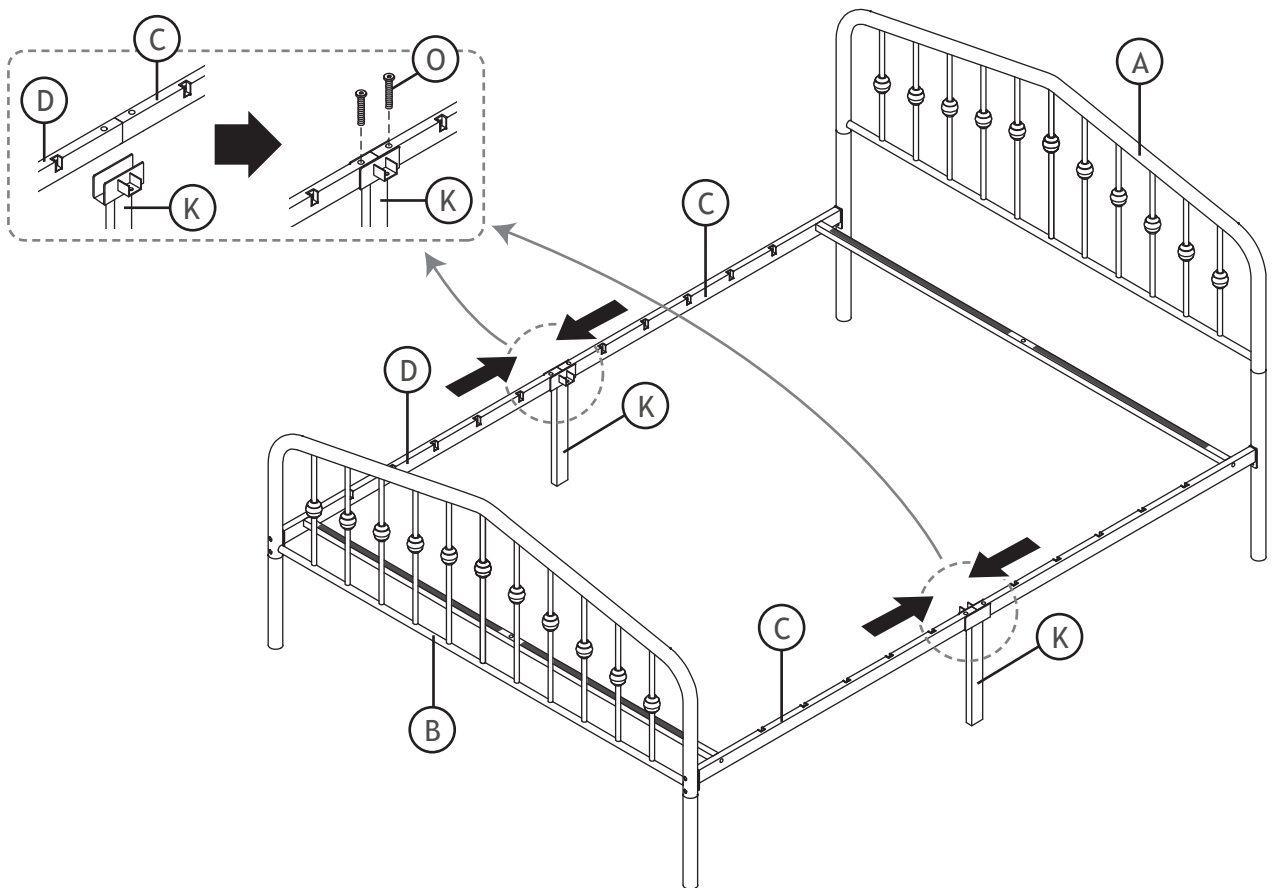
Please note there are 2 plastic plugs in parts B and they should be taken out firstly when starting the installation.



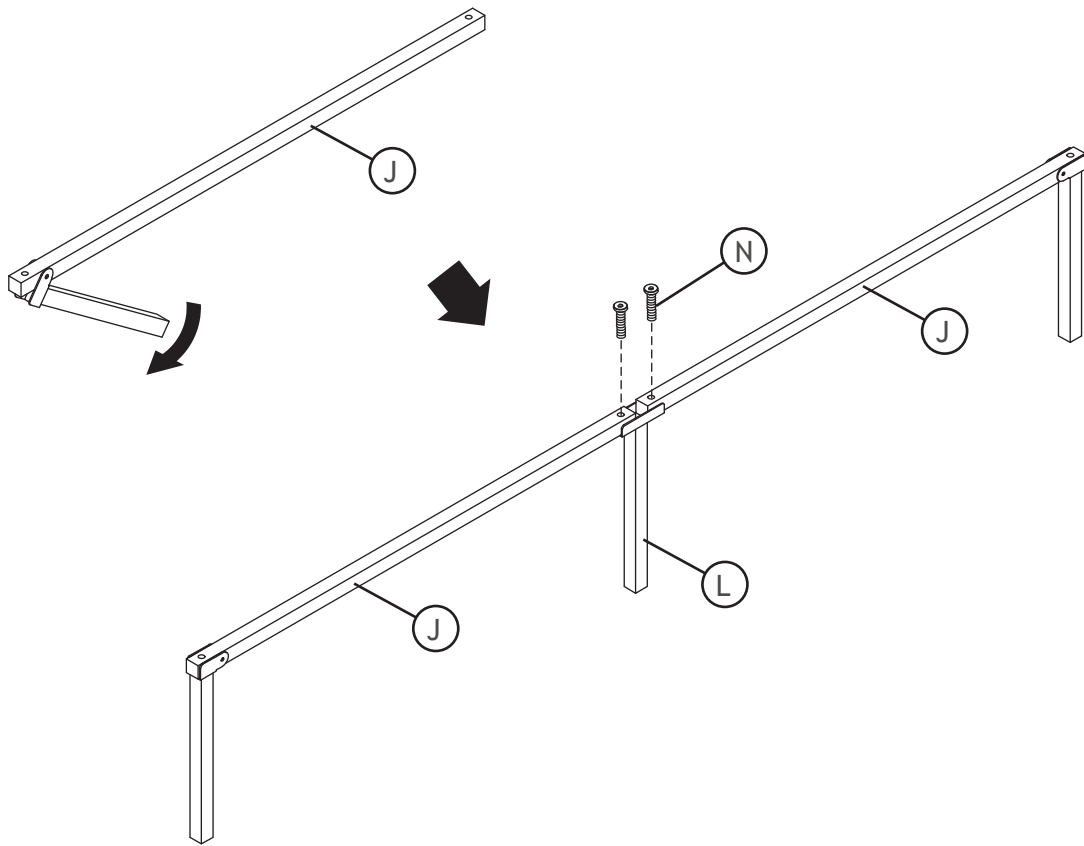
4



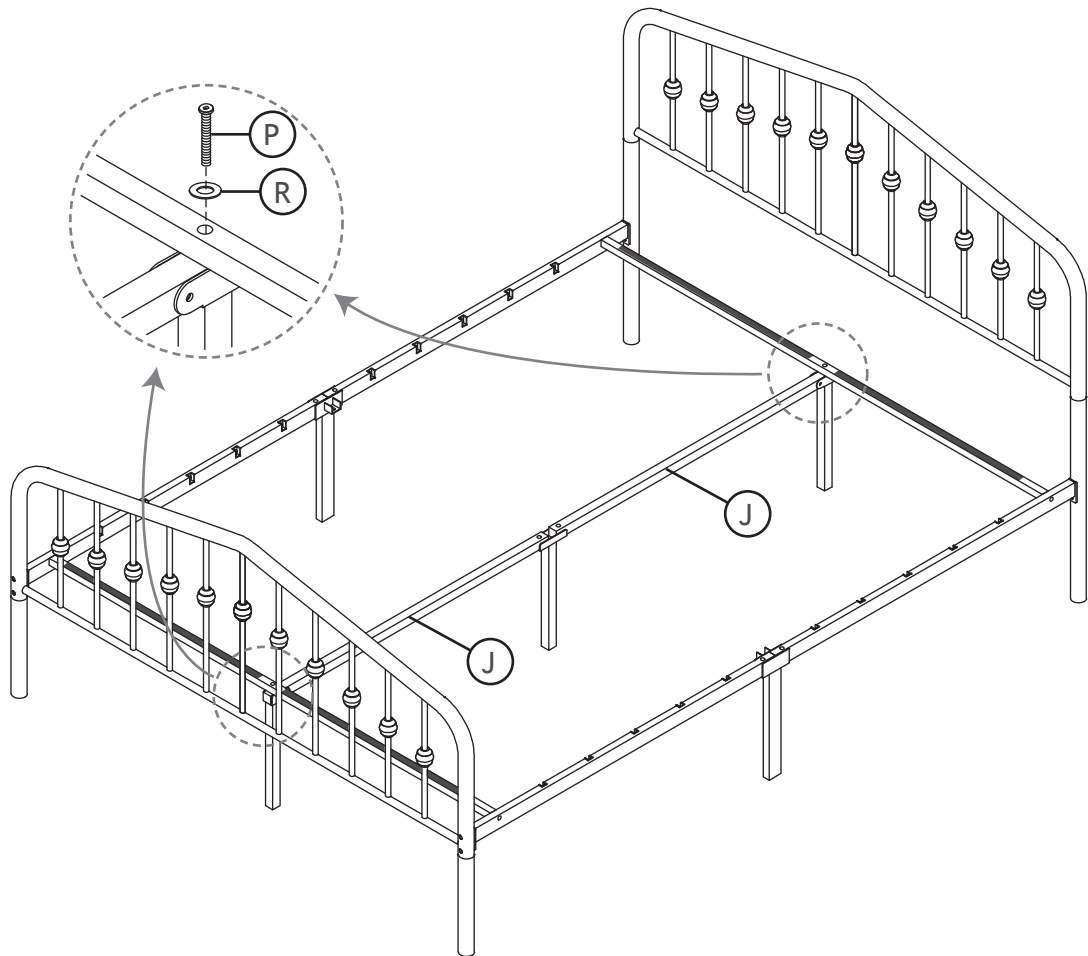
5



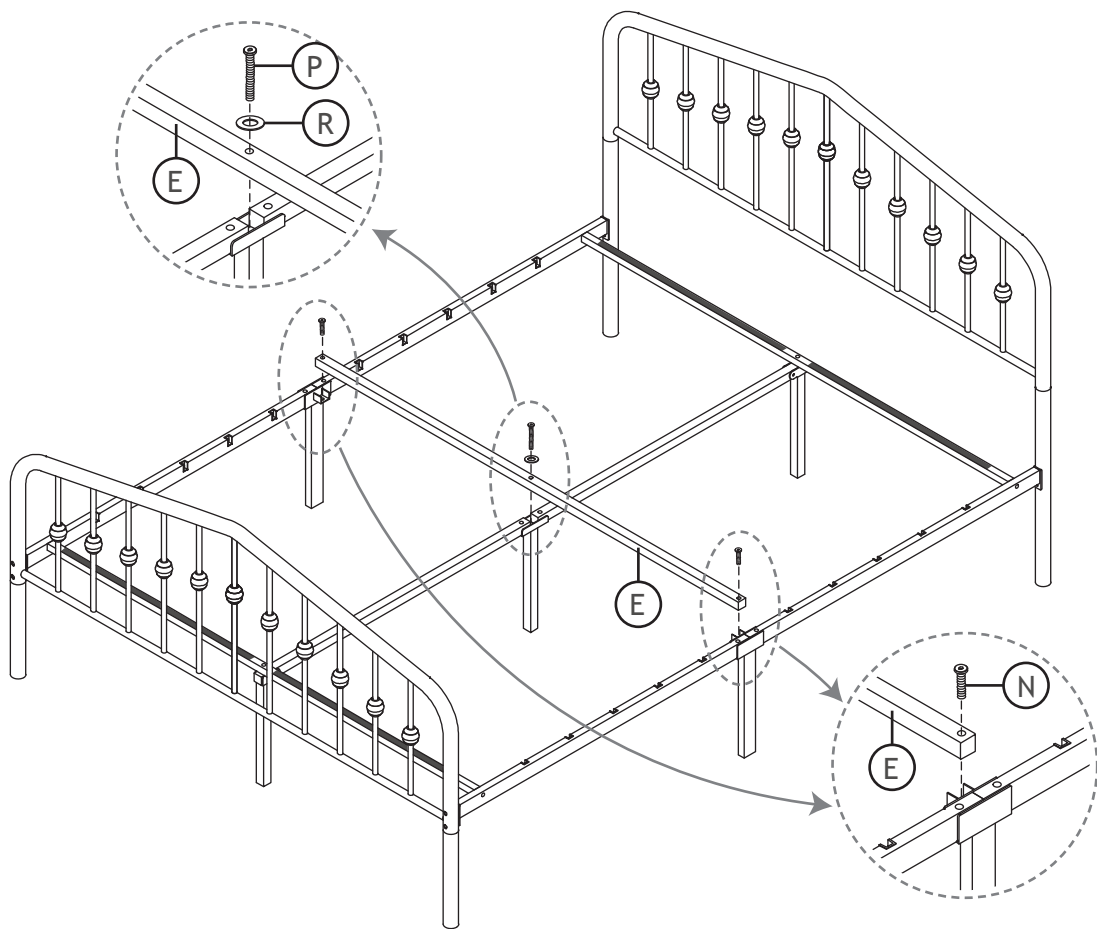
6



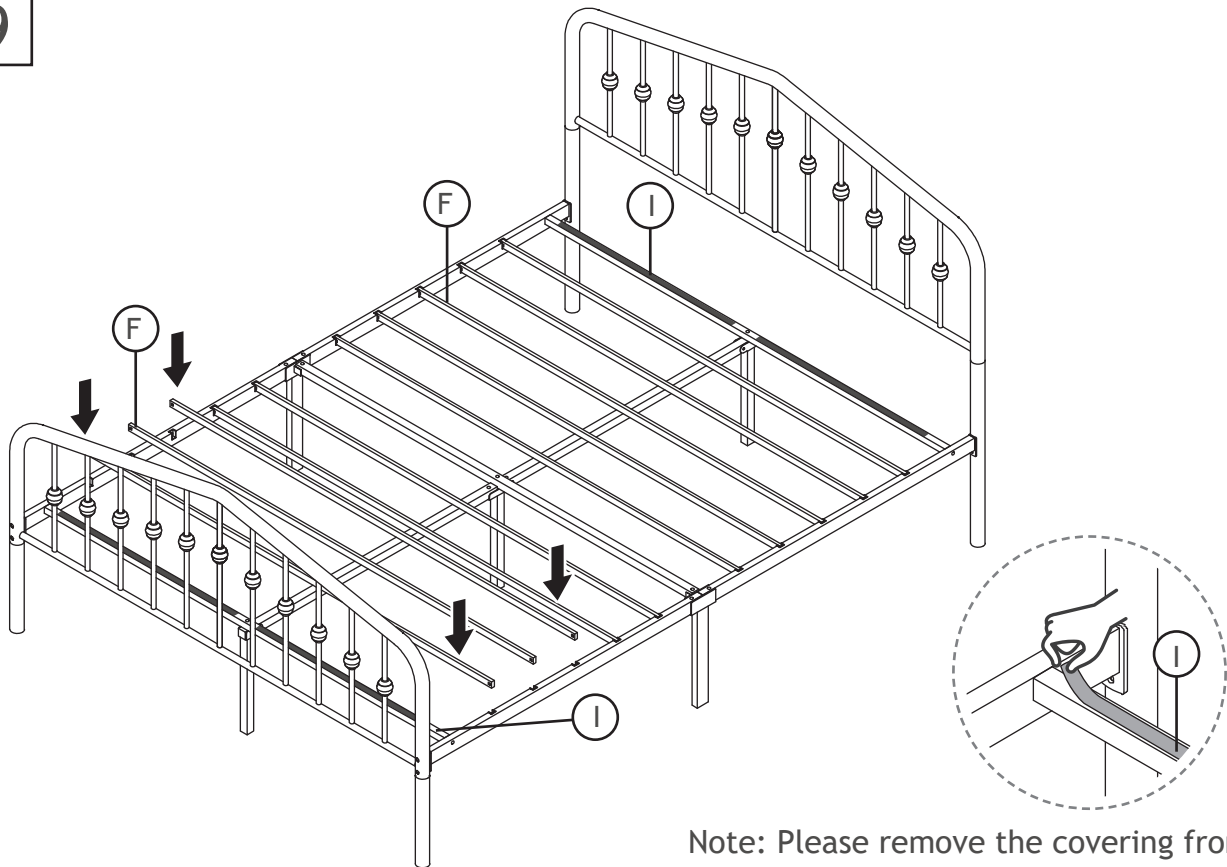
7



8



9



Note: Please remove the covering from the adhesive strips, then the mattress will not slide easily.

MADE IN CHINA