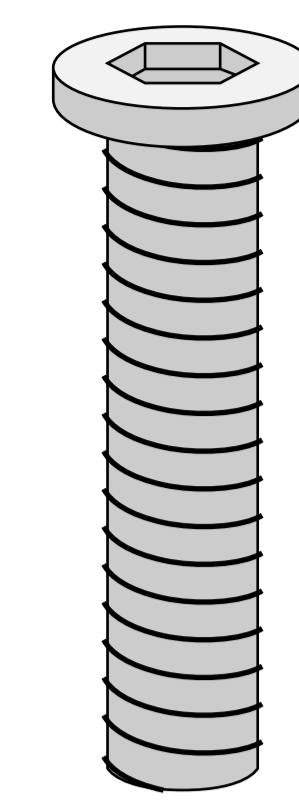


# INSTALLATION INSTRUCTIONS

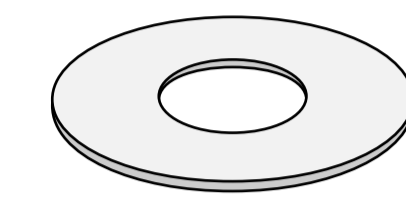
## PARTS LIST



Table top



Screw x12



Gasket x12

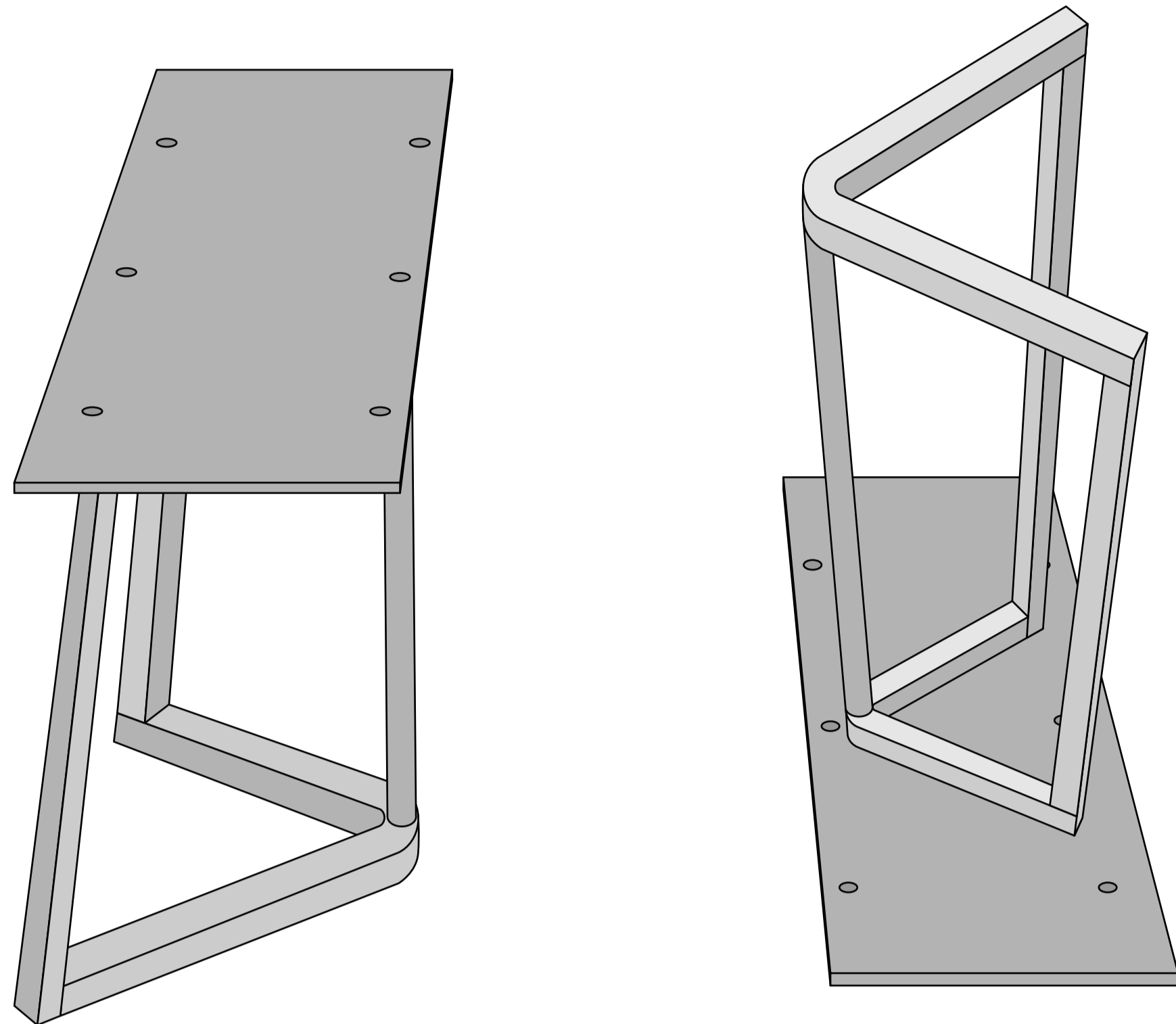


Table leg x2

Back side up view

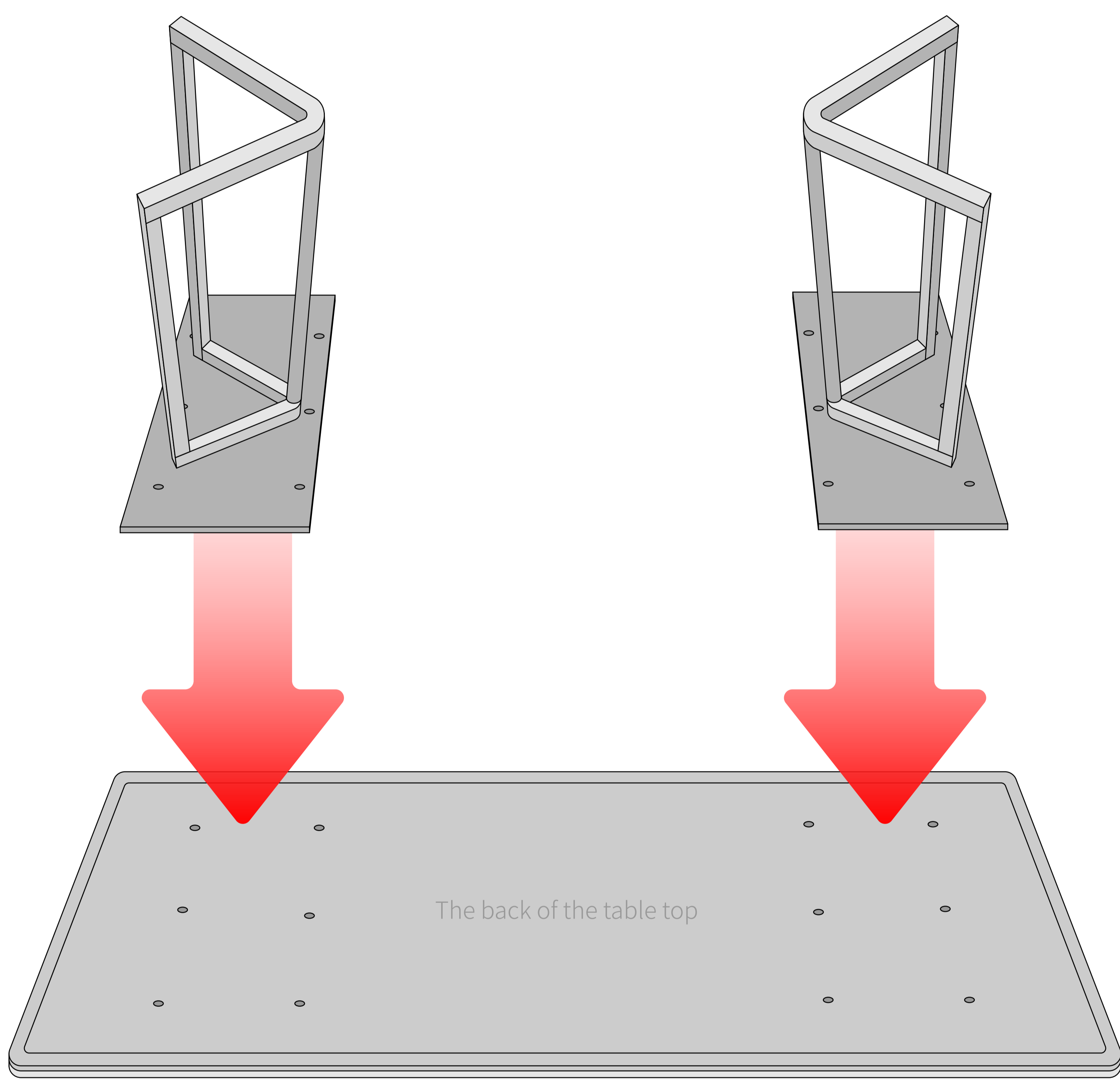


Hex key

The extra parts are for spare

## STEP 1

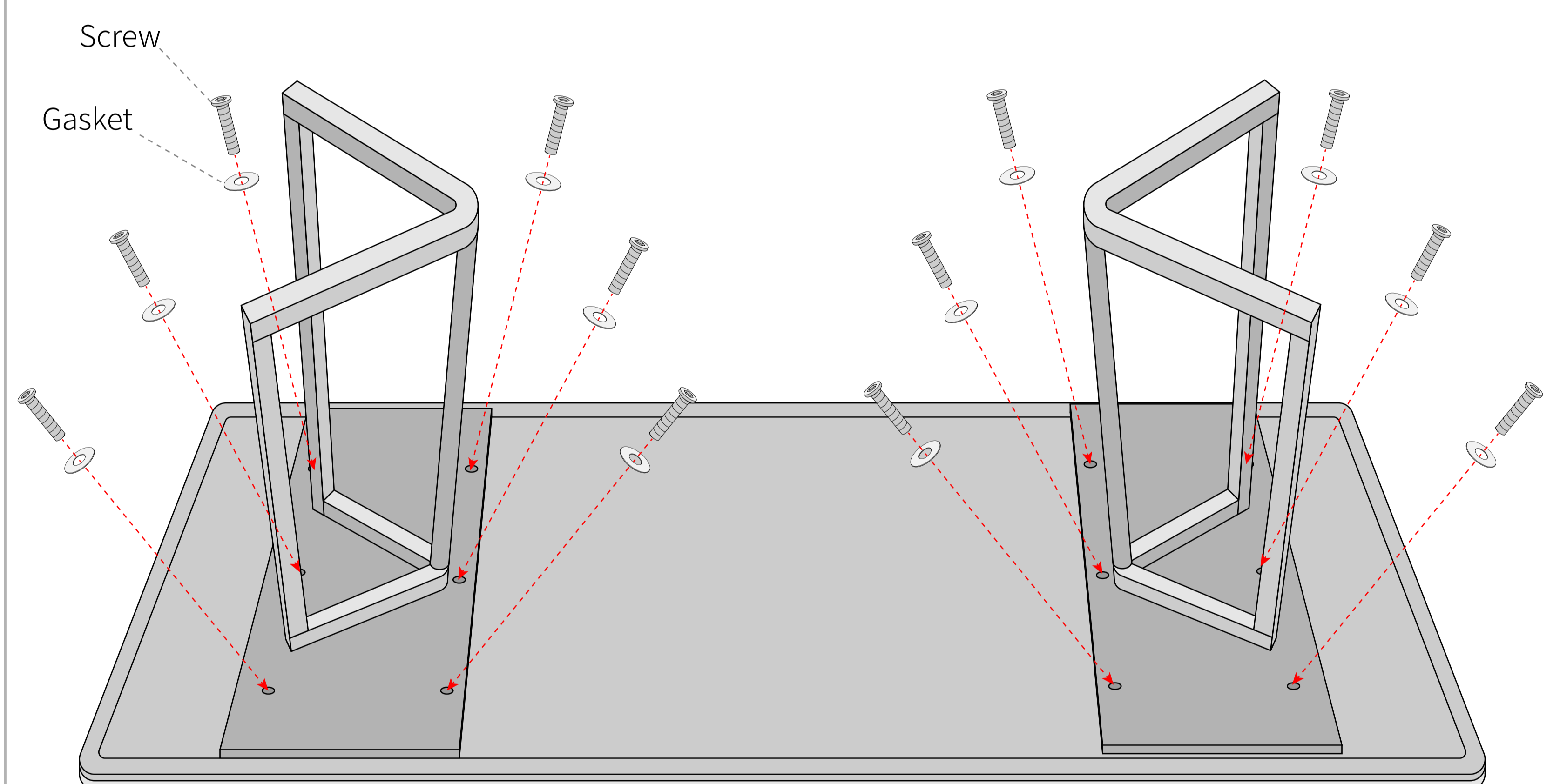
Turn the table leg and table leg upside down, with the bottom facing up.  
Put the table legs on the back of the table top.



The back of the table top

## STEP 2

Secure with screws and spacers.



## INSTALLATION COMPLETE

