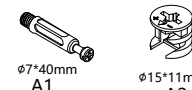
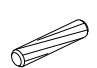
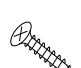






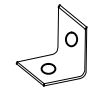
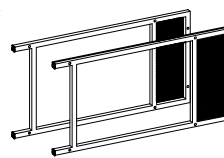
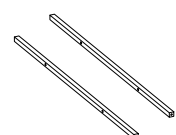


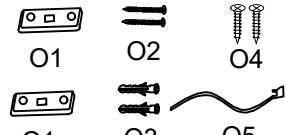


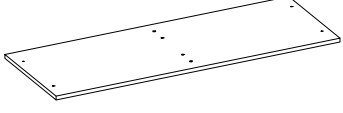
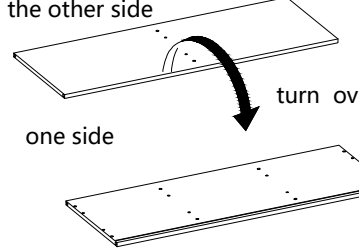
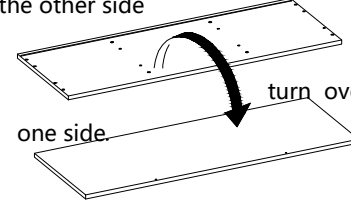
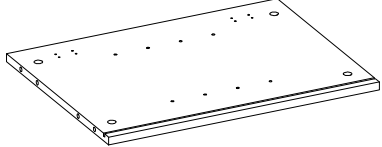
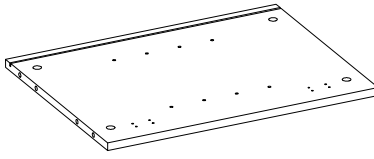
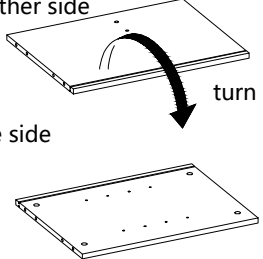
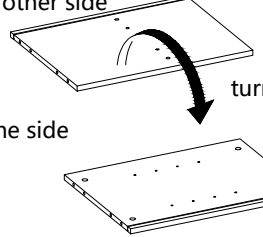
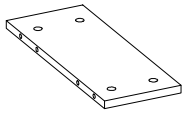
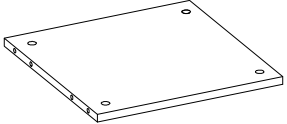
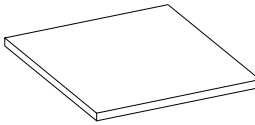
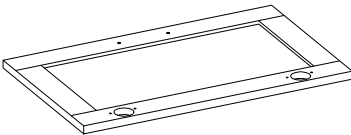
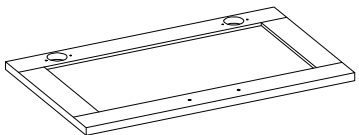
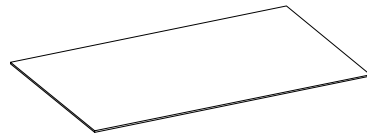
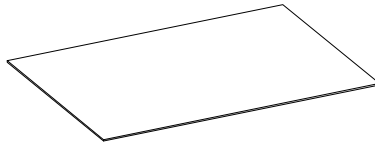


<p>A</p>  <p>φ7*40mm A1</p> <p>φ15*11mm A2</p> <p>24PCS</p>	<p>B</p>  <p>φ8*30mm</p> <p>24PCS</p>	<p>C</p>  <p>φ3.5*14mm</p> <p>40PCS</p>	<p>D Insert</p>  <p>φ35mm</p> <p>4PCS</p>	<p>E</p>  <p>2PCS</p>	<p>F</p>  <p>4PCS</p>
<p>G</p>  <p>φ6*15mm</p> <p>4PCS</p>	<p>H</p>  <p>φ6*30mm</p> <p>8PCS</p>	<p>I</p>  <p>φ6*55mm</p> <p>4PCS</p>	<p>J</p>  <p>4PCS</p>	<p>K</p>  <p>1PC</p>	<p>L</p>  <p>L=1070mm</p> <p>60PCS</p>
<p>M</p>  <p>8PCS</p>	<p>N</p>  <p>12PCS</p>	<p>O</p>  <p>O1 O2 O4</p> <p>O1 O3 O5</p> <p>2PCS</p>	<p>P</p>  <p>φ21mm</p> <p>24PCS</p>	<p>Q</p>  <p>5PCS</p>	

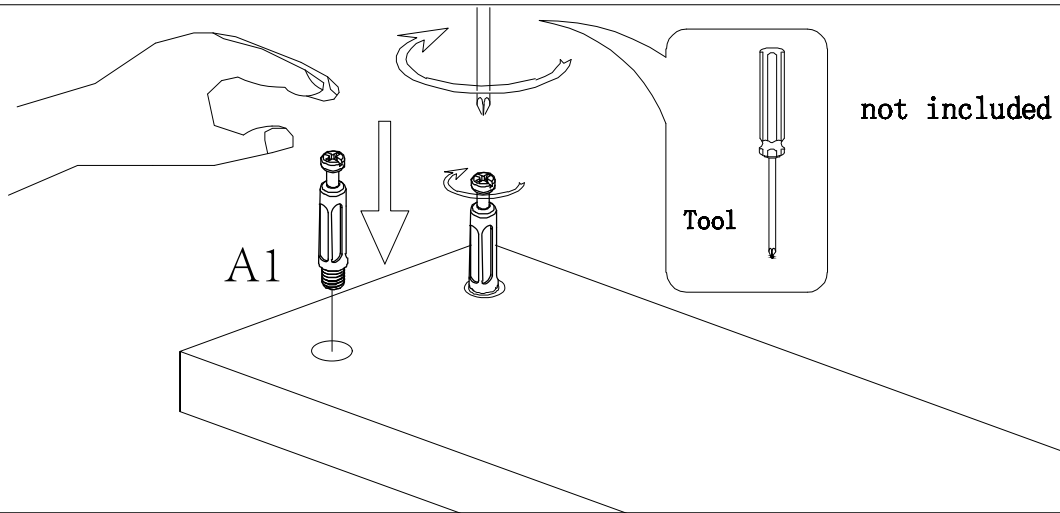
<p>1</p>  <p>1112*400*15mm 1PC</p>	<p>2</p>  <p>1070*400*15mm 1PC</p>	<p>3</p>  <p>1070*400*15mm 1PC</p>
<p>4</p>  <p>530*400*15mm 1PC</p>	<p>5</p>  <p>530*400*15mm 1PC</p>	
<p>6</p>  <p>530*400*15mm 1PC</p>	<p>7</p>  <p>530*400*15mm 1PC</p>	<p>8</p>  <p>150*385*15mm 1PC</p>
<p>9</p>  <p>370*365*15mm 1PC</p>	<p>10</p>  <p>318*360*15mm 2PCS</p>	<p>11</p>  <p>526*316*15mm 1PC</p>
<p>12</p>  <p>526*316*15mm 1PC</p>	<p>13</p>  <p>540*330*3mm 2PCS</p>	<p>14</p>  <p>540*380*3mm 1PC</p>

Hardware installation demonstration

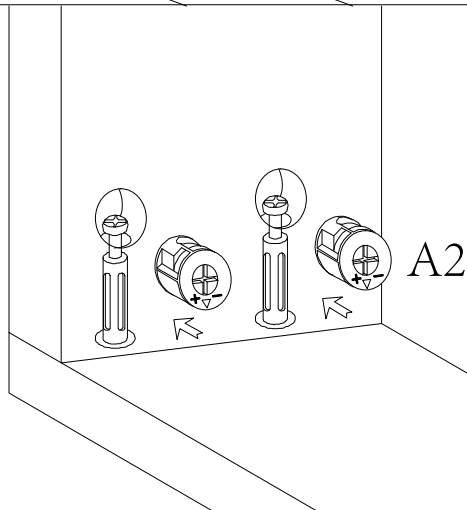


NOTE: Please make sure "A1" hardware tightened and can't be pulled out!

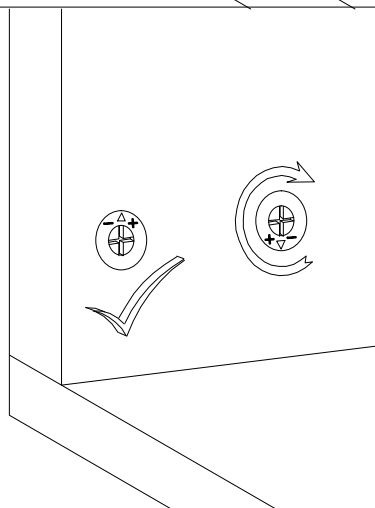
I



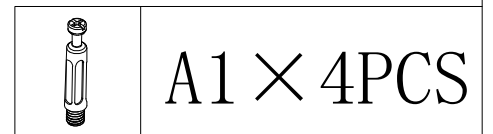
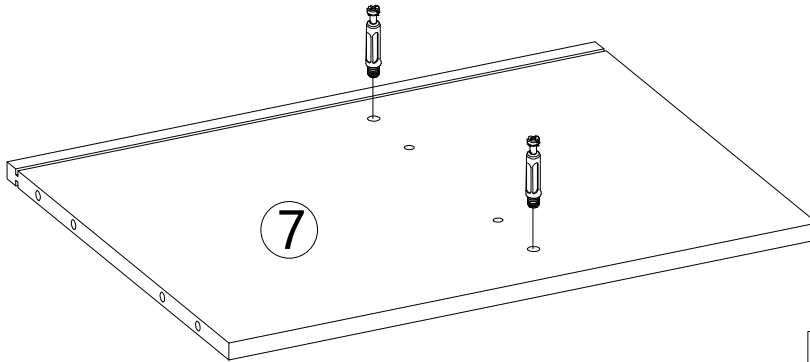
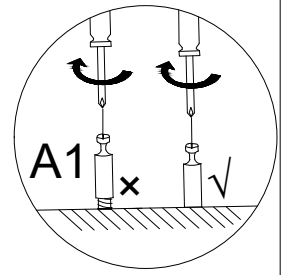
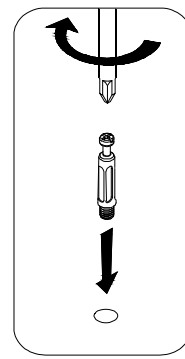
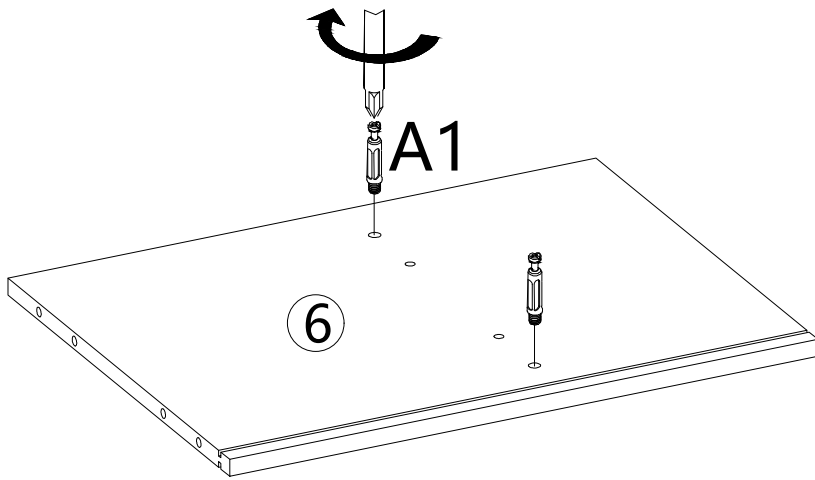
II



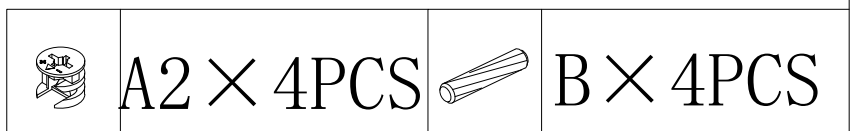
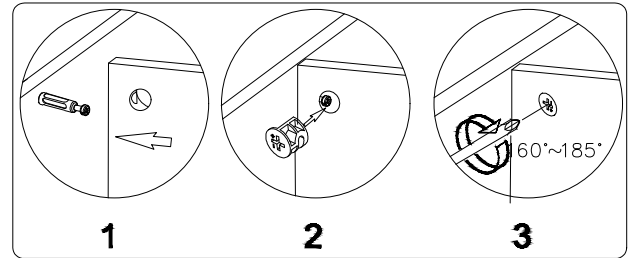
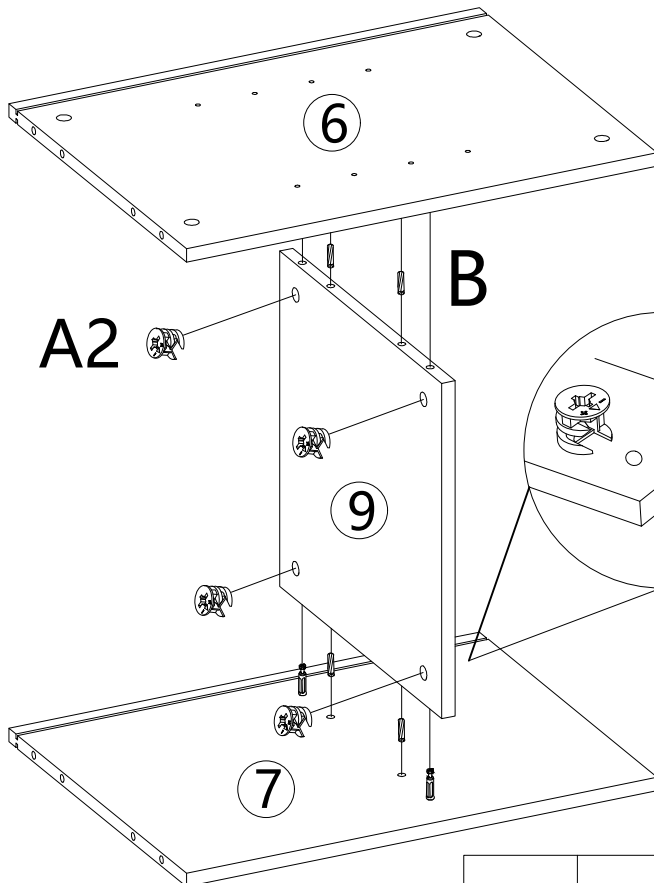
III



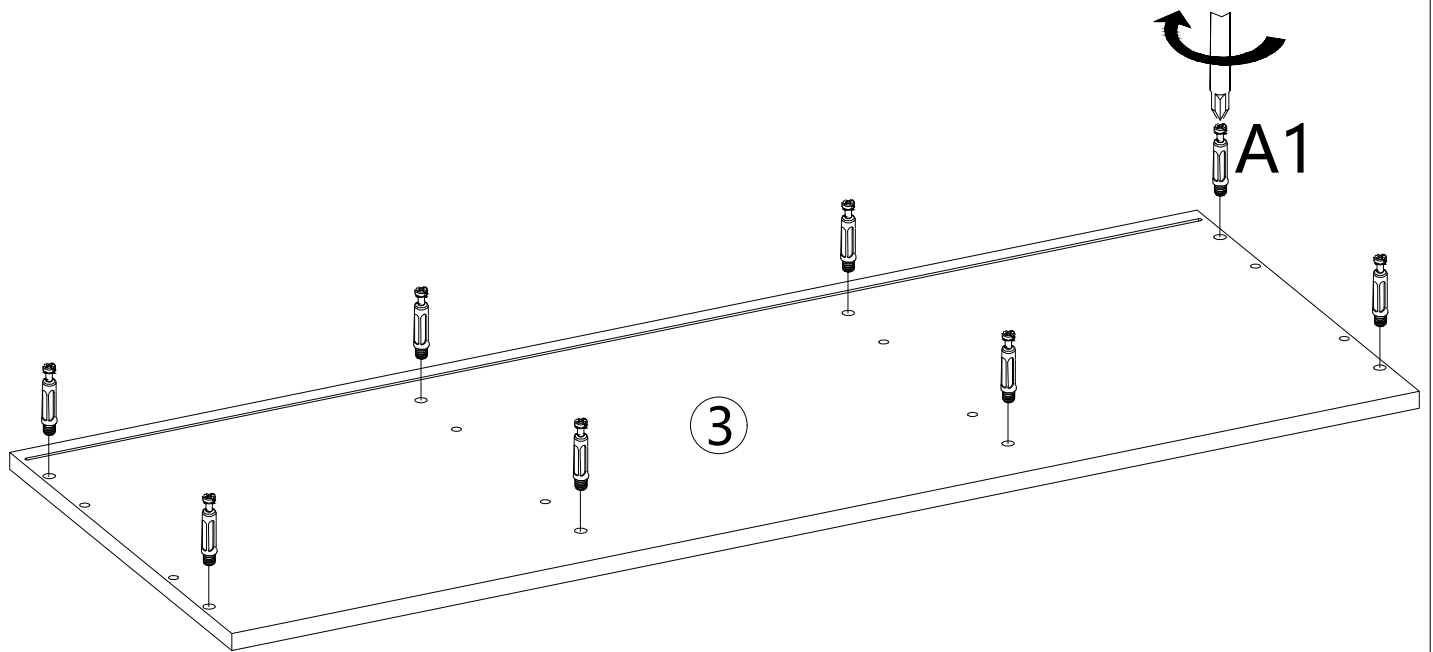
STEP 1

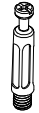


STEP 2

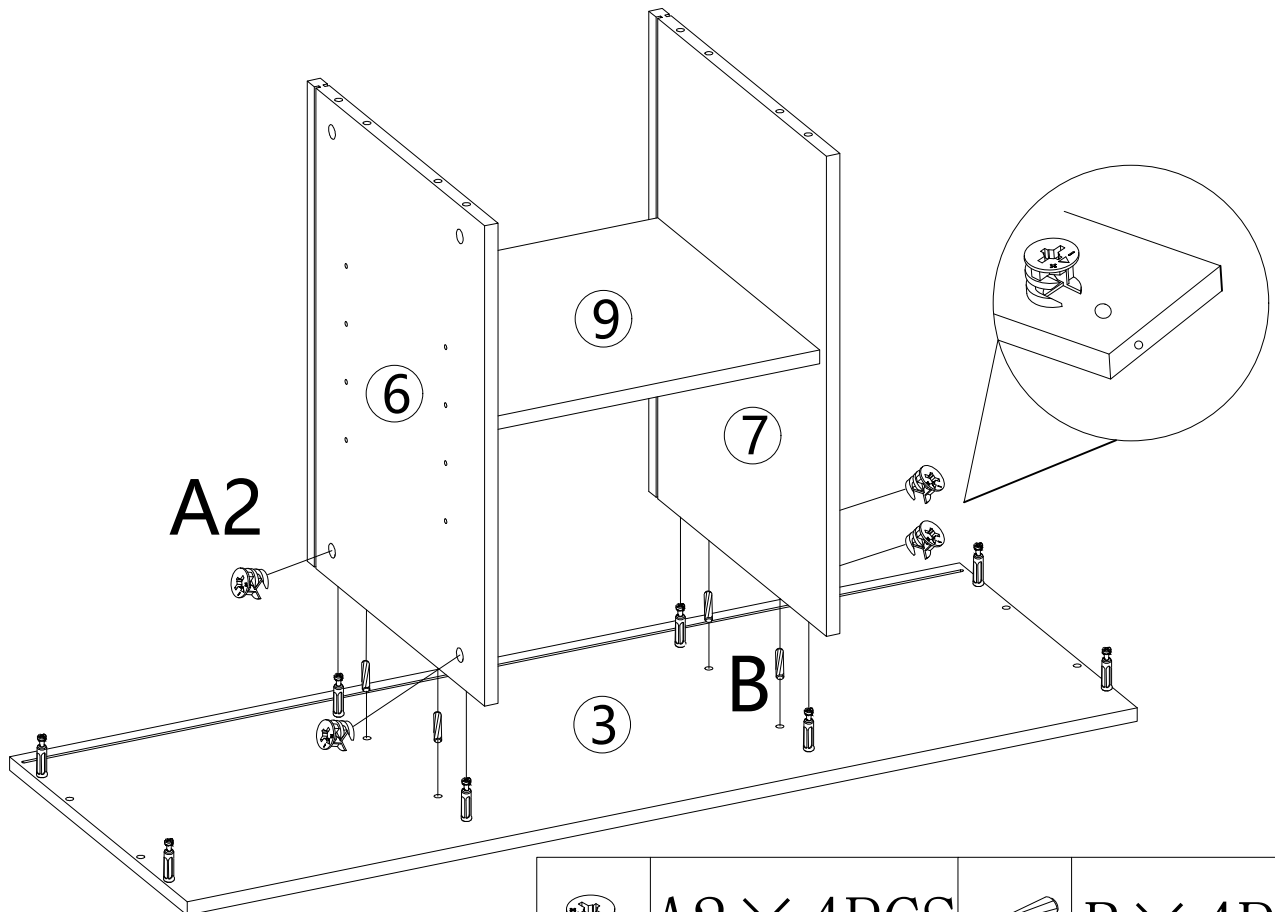



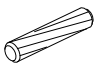
STEP 3



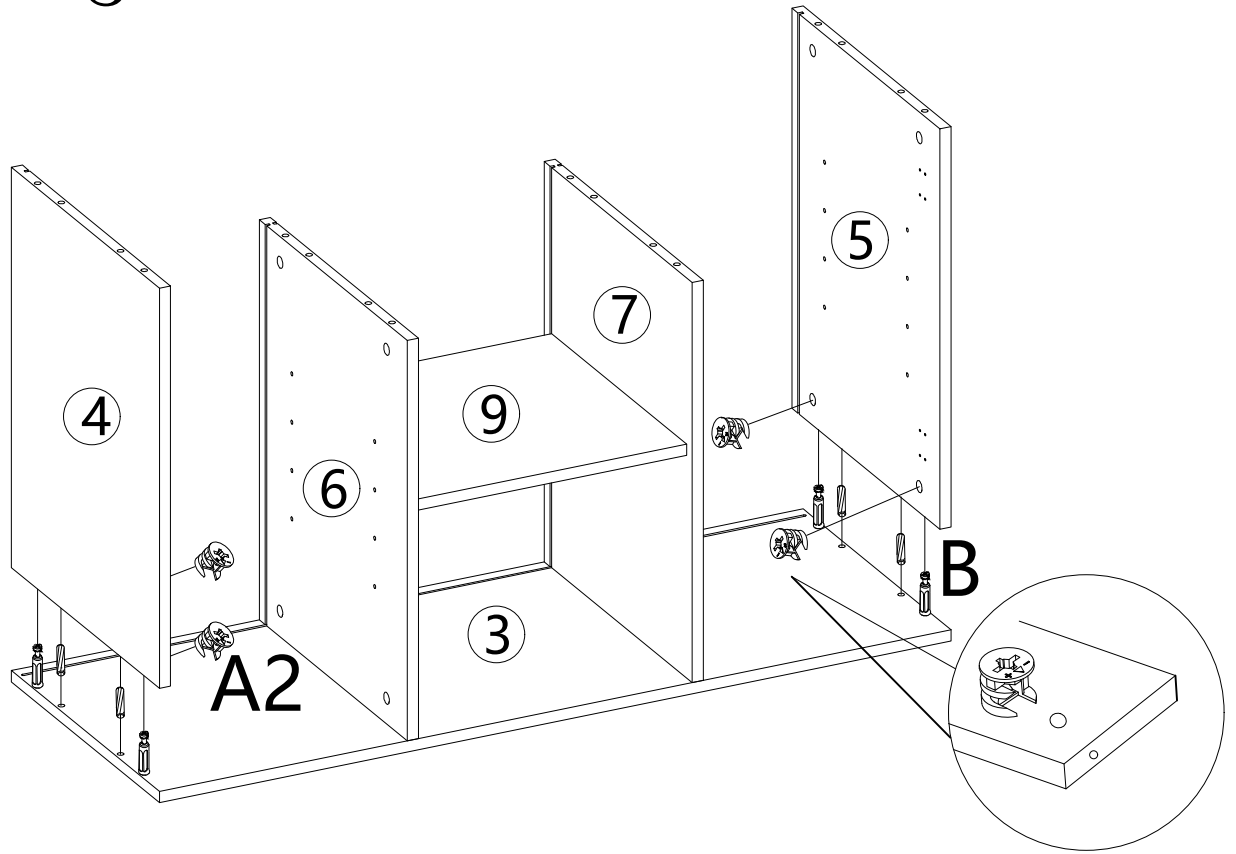
	A1 × 8PCS
---	-----------


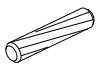
STEP 4



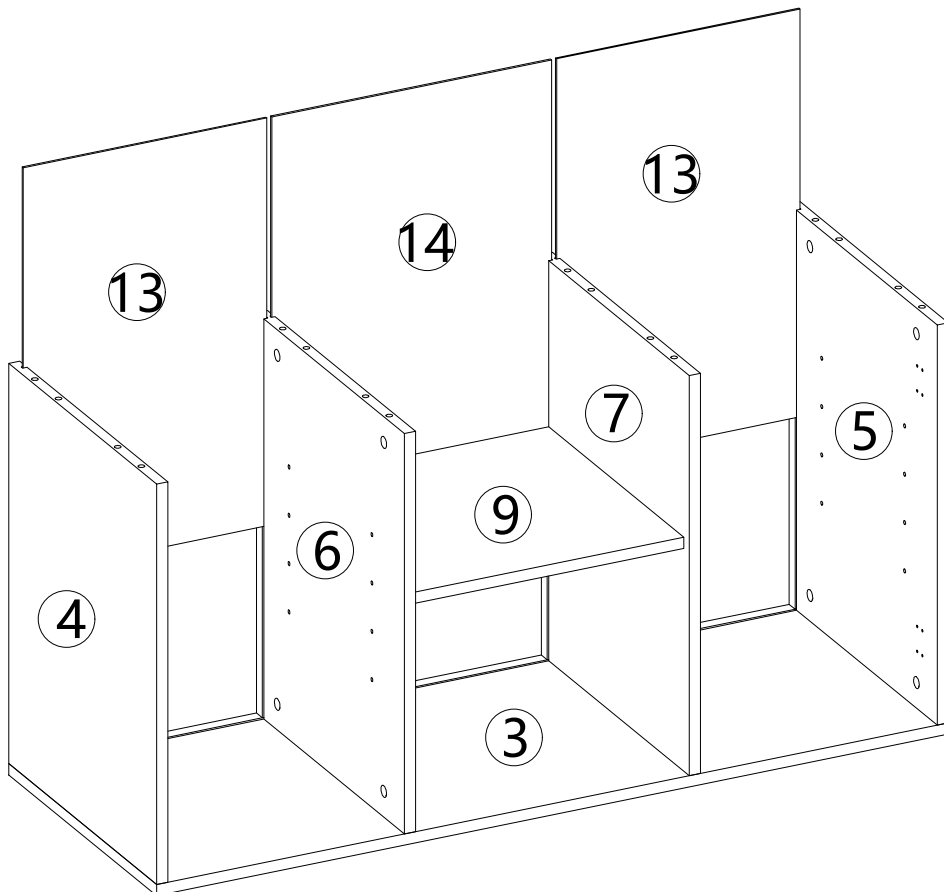
	A2 × 4PCS		B × 4PCS
---	-----------	---	----------

STEP 5



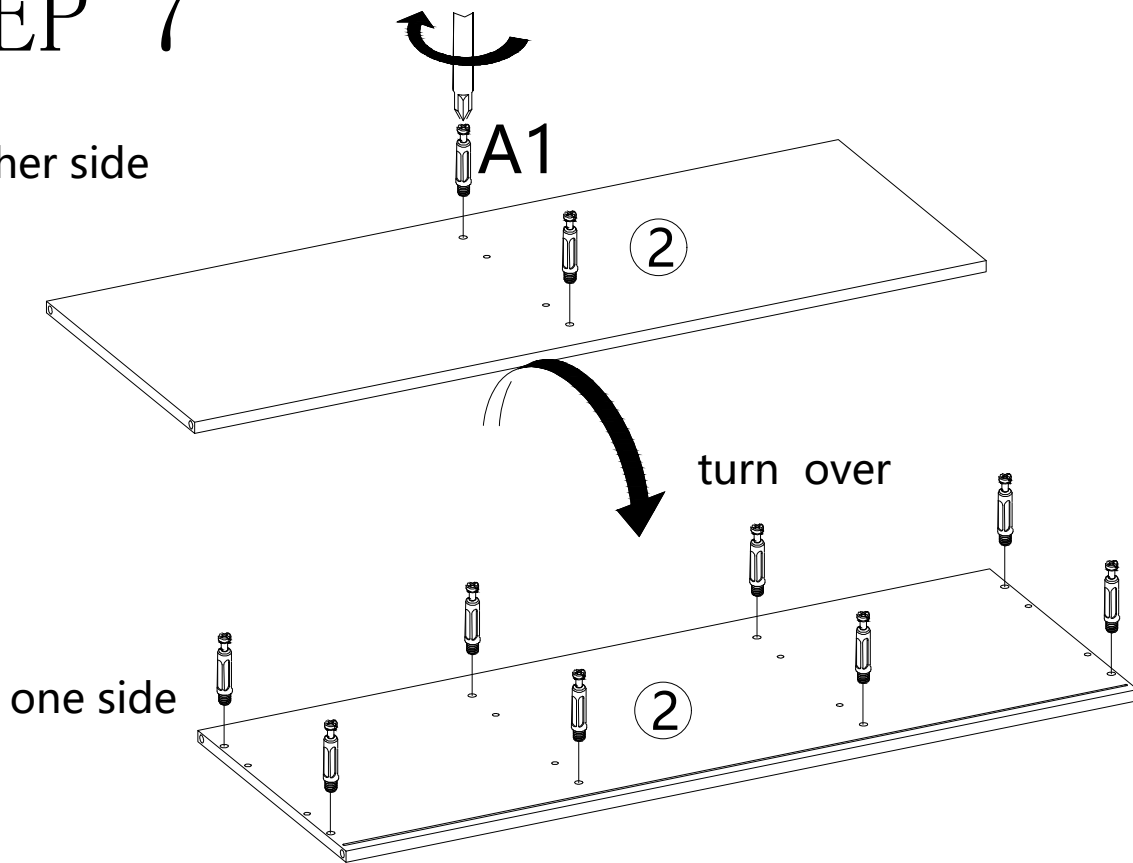
	A2 × 4PCS		B × 4PCS
---	-----------	---	----------

STEP 6

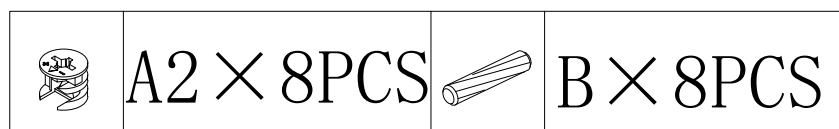
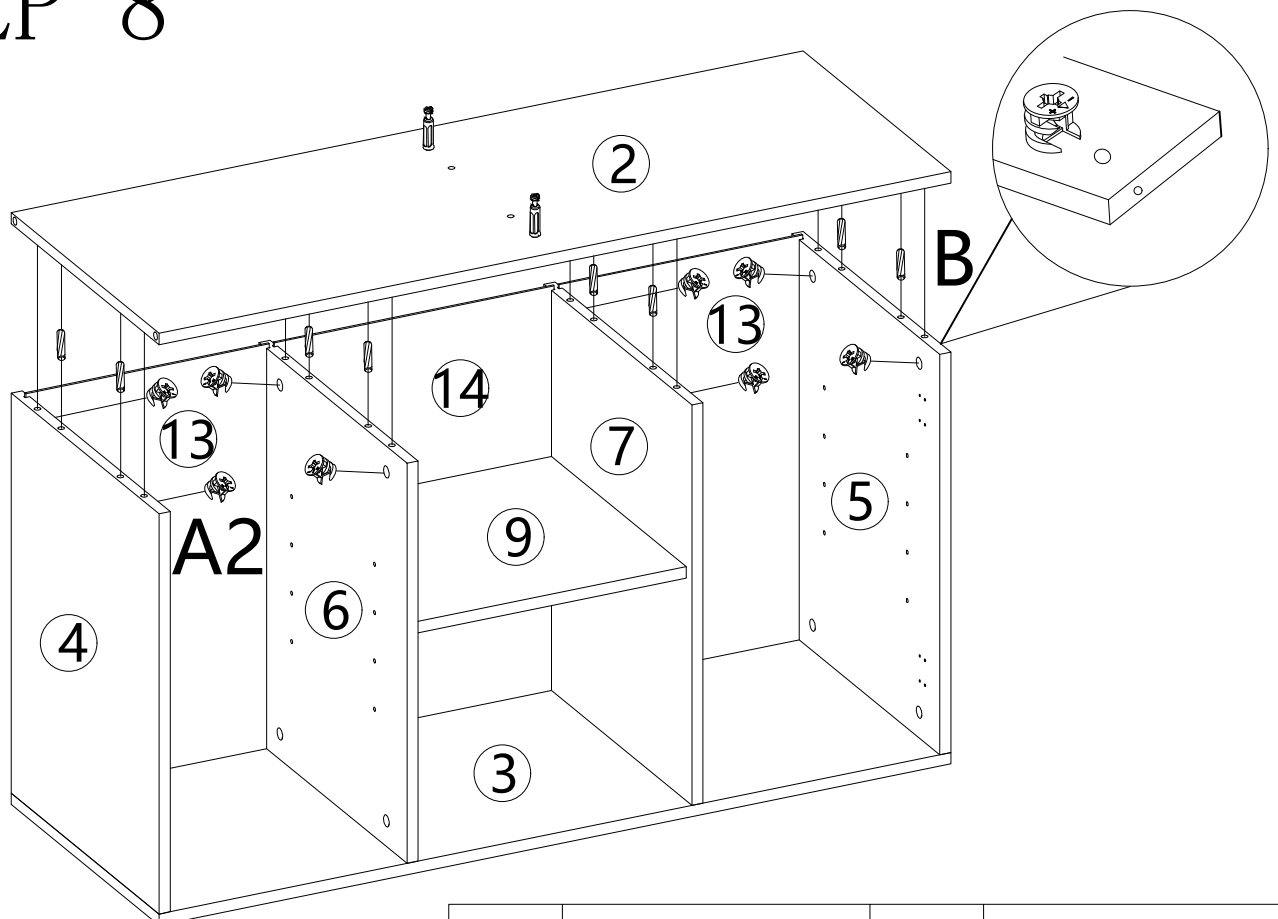


STEP 7

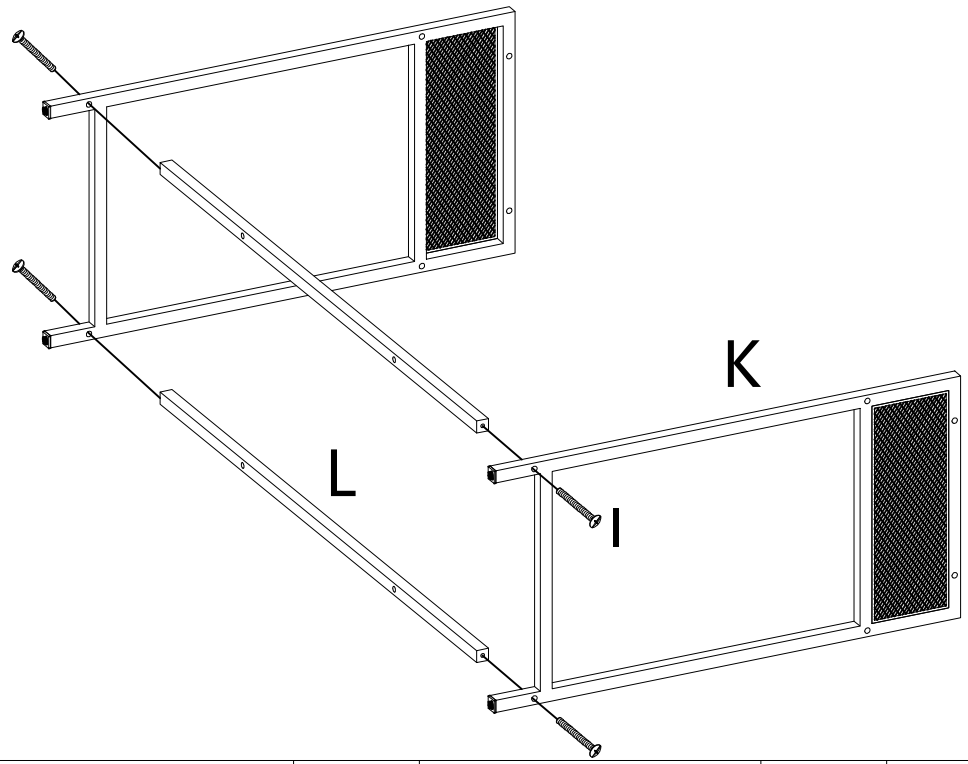
the other side



STEP 8

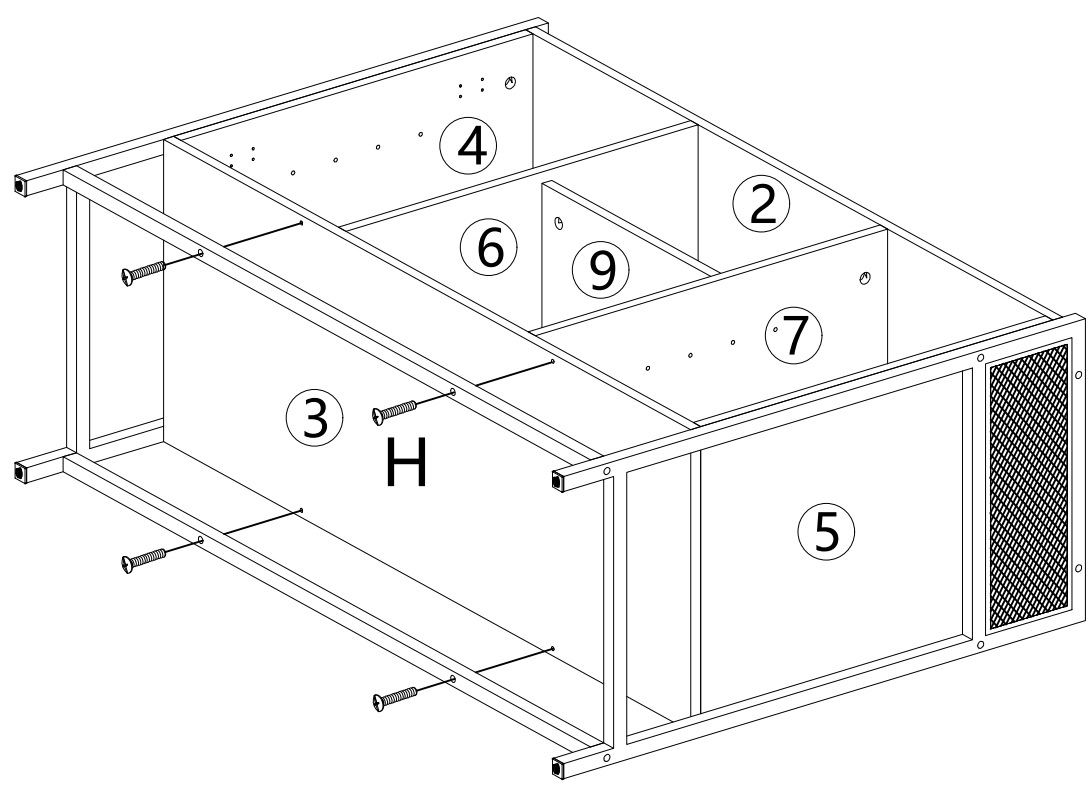



STEP 9



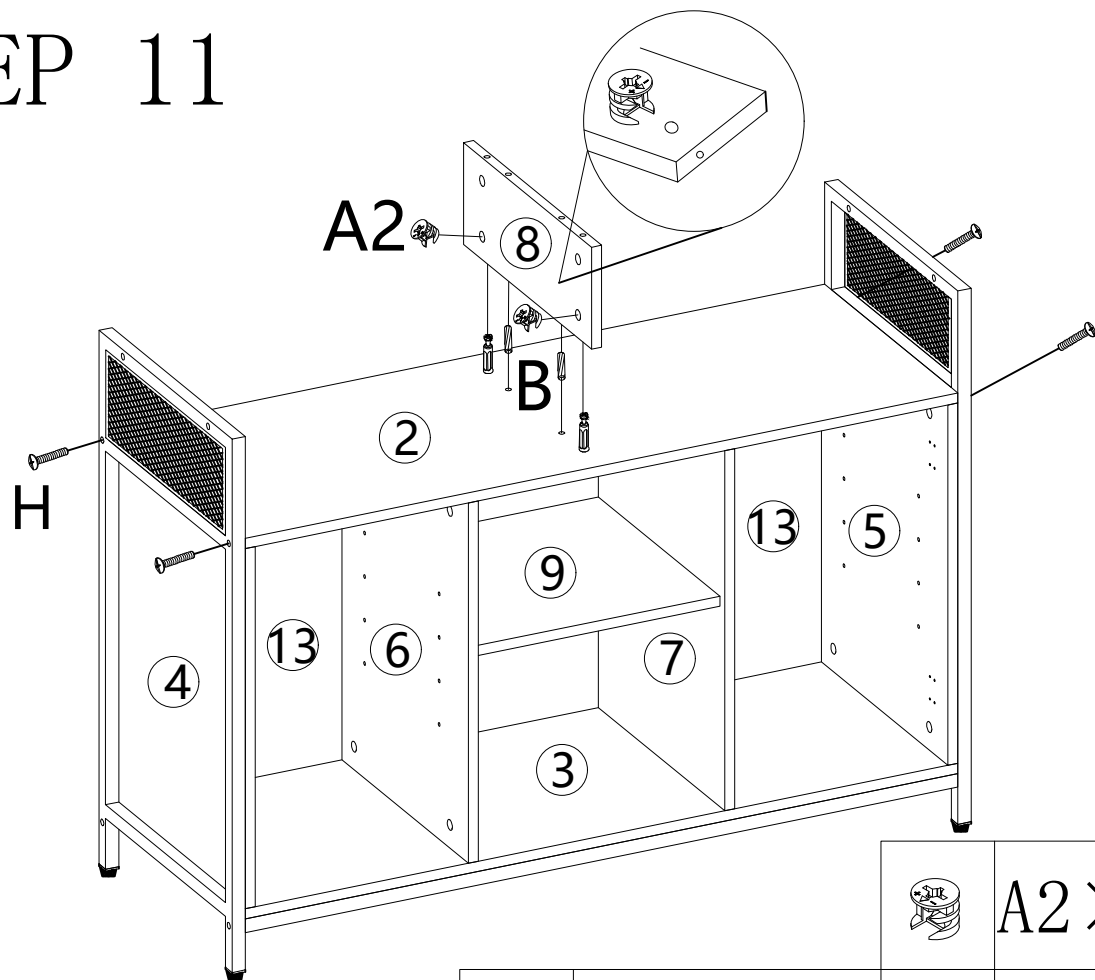
	I × 4PCS		K × 1PC		L × 1PC
---	----------	---	---------	---	---------



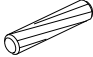
STEP 10



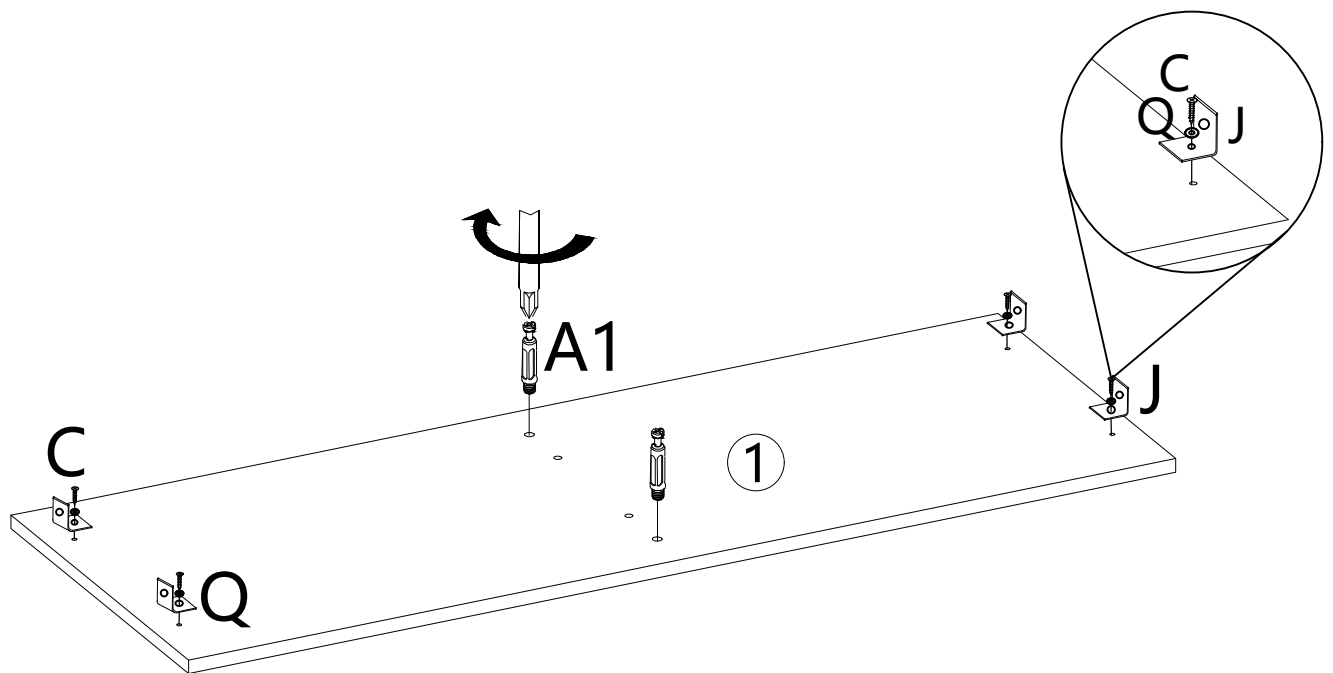
	H × 4PCS
---	----------




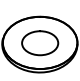
STEP 11



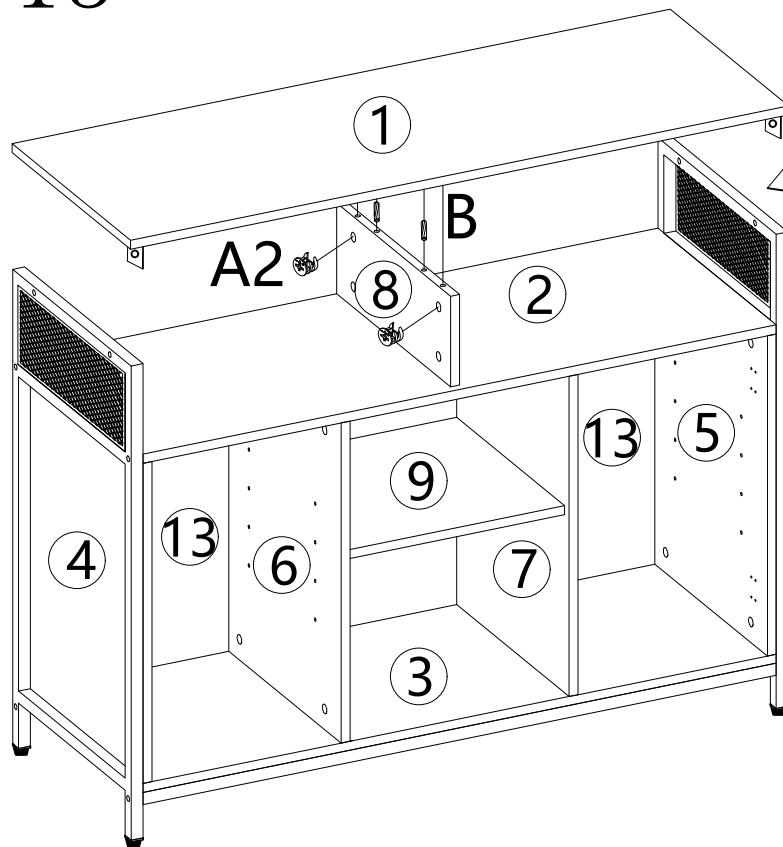
	A2 × 2PCS		H × 4PCS
	B × 2PCS		


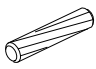

STEP 12



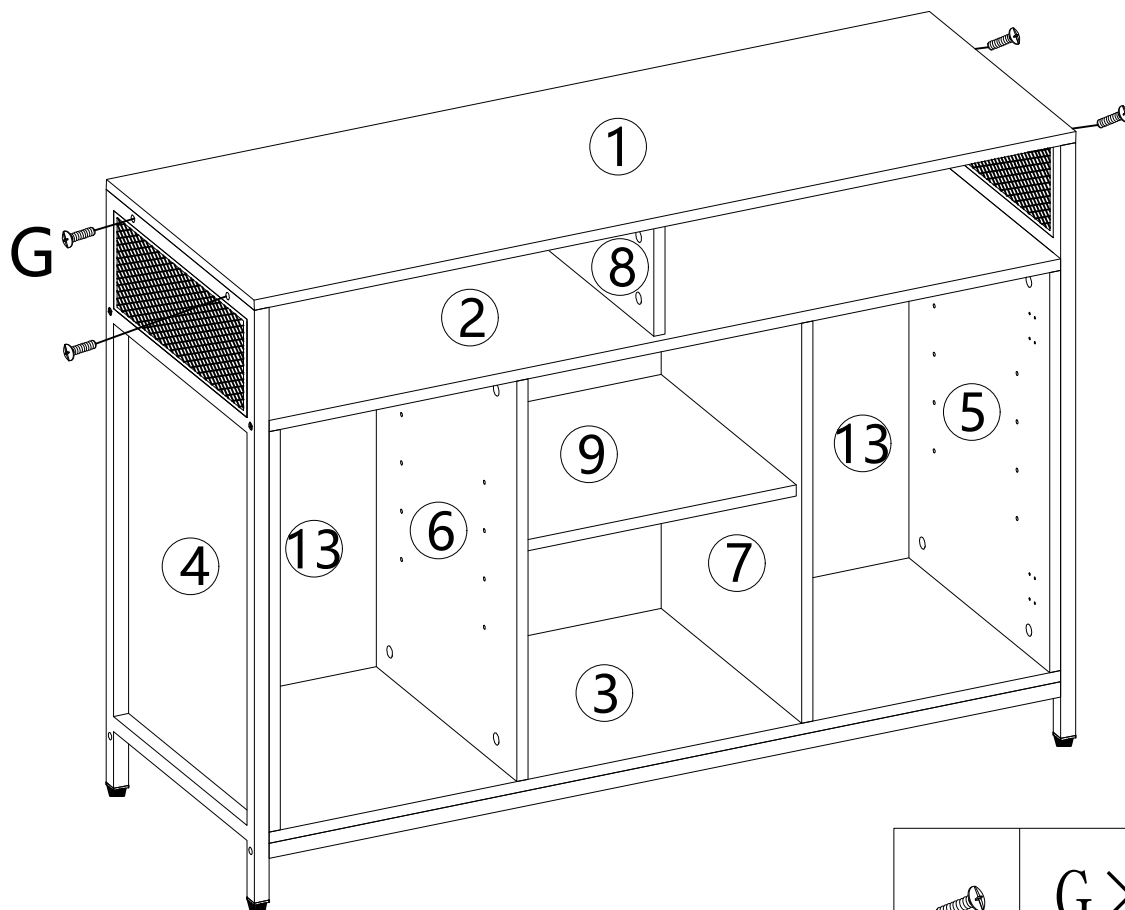
	A1 × 2PCS		C × 4PCS
	J × 4PCS		Q × 4PCS


STEP 13



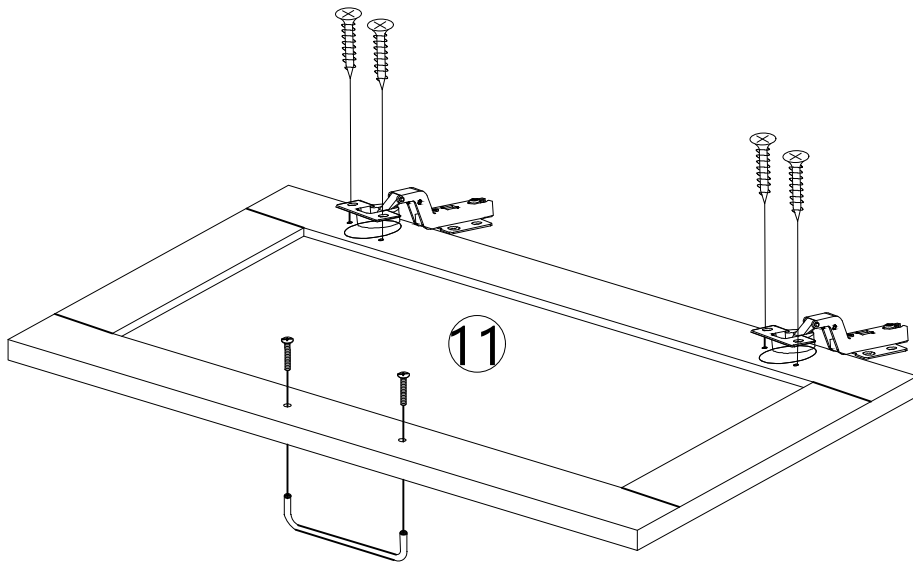
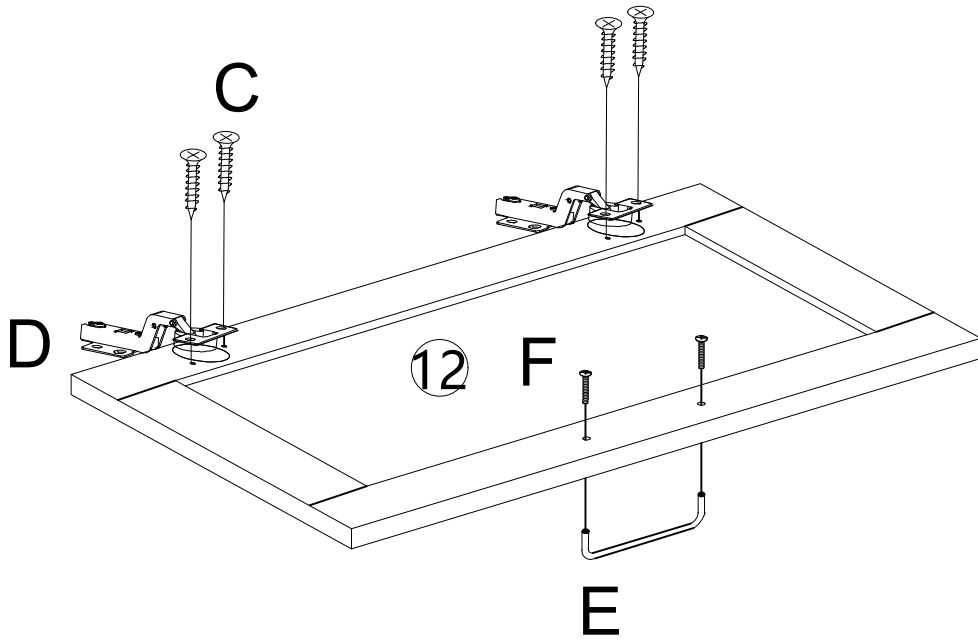
	A2 × 2PCS		B × 2PCS		P × 24PCS
---	-----------	---	----------	---	-----------

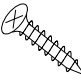
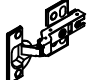


STEP 14



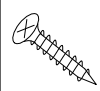
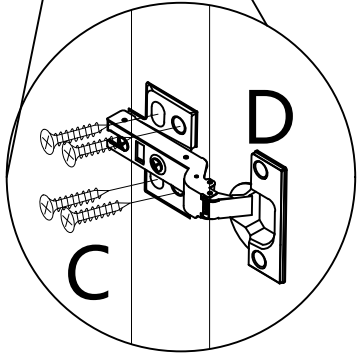
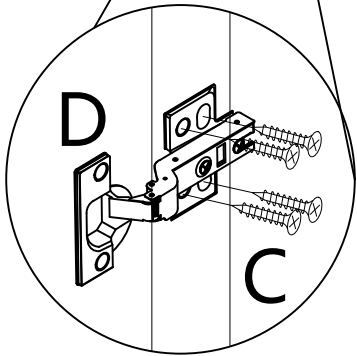
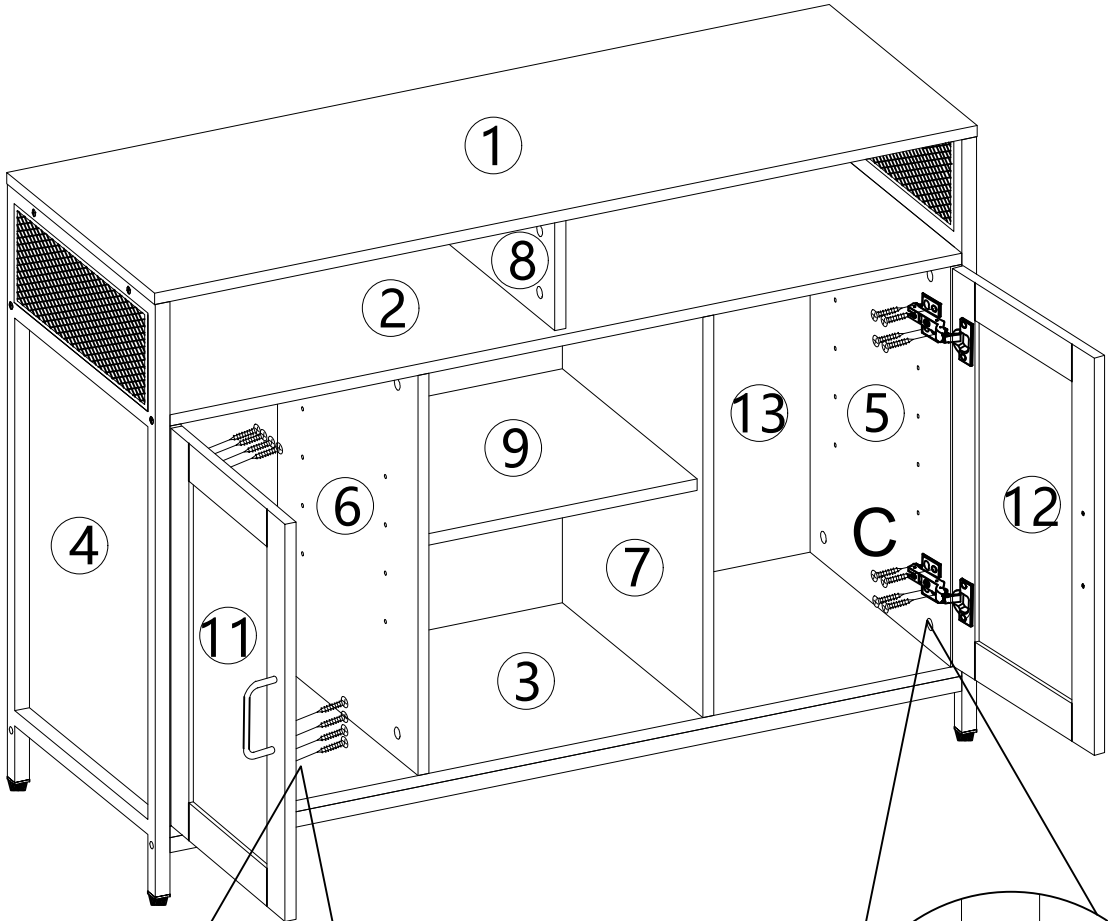
	G × 4PCS
---	----------

STEP 15



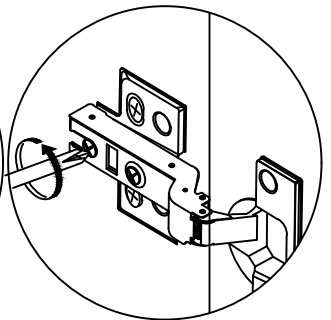
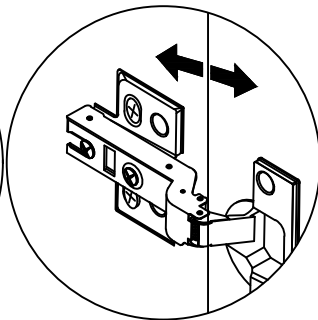
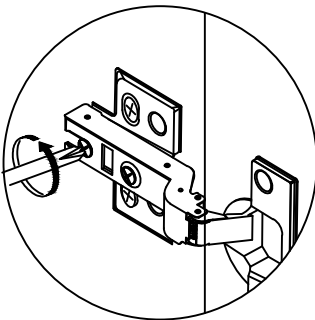
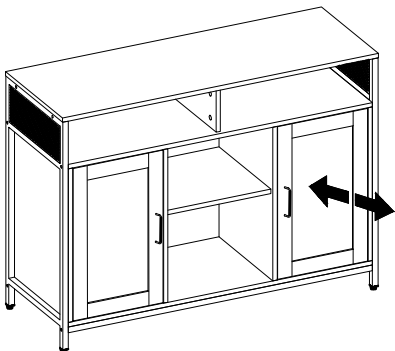
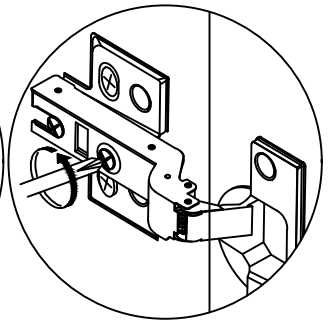
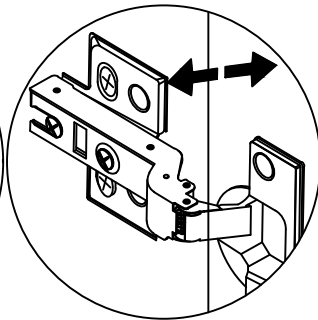
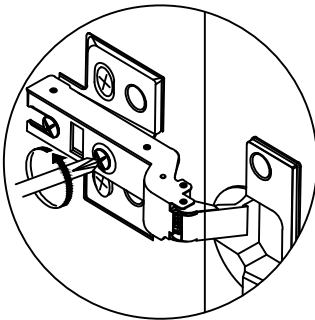
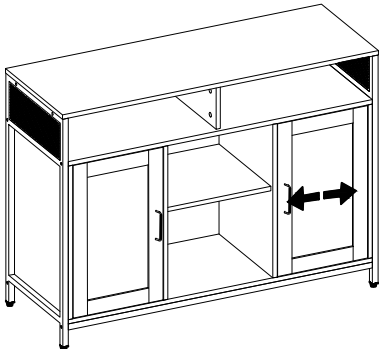
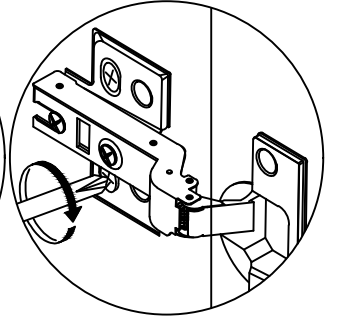
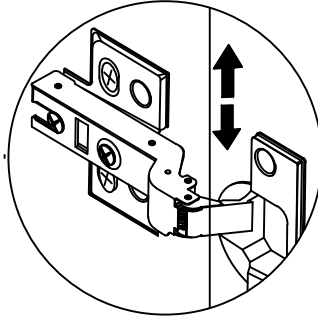
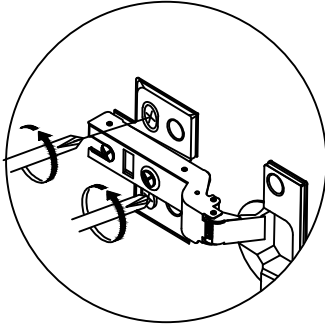
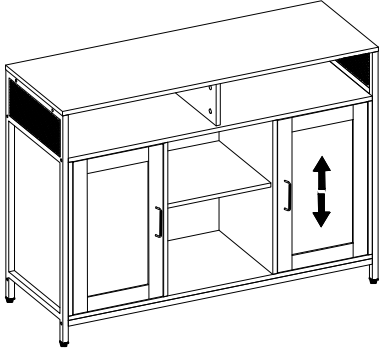
	C × 8PCS		D × 4PCS
	E × 2PCS		F × 4PCS

STEP 16

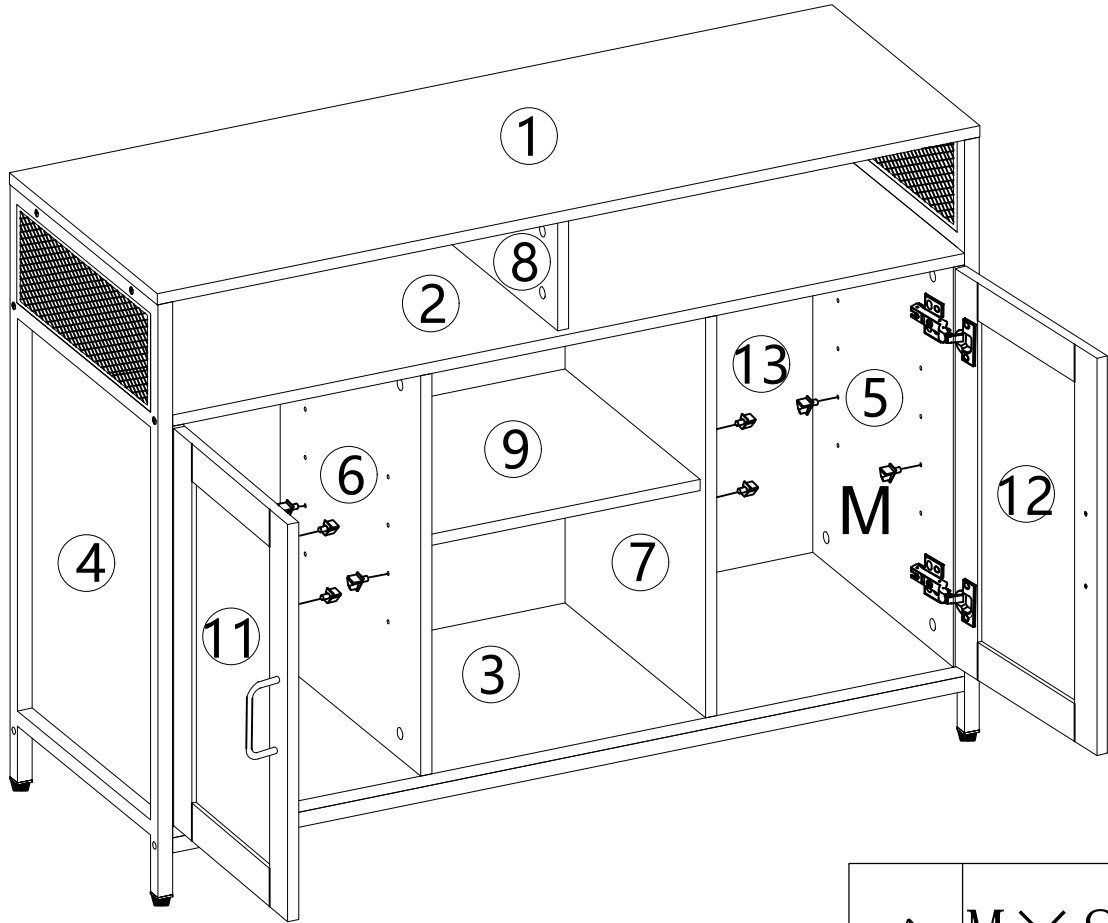


C × 16PCS

STEP 17

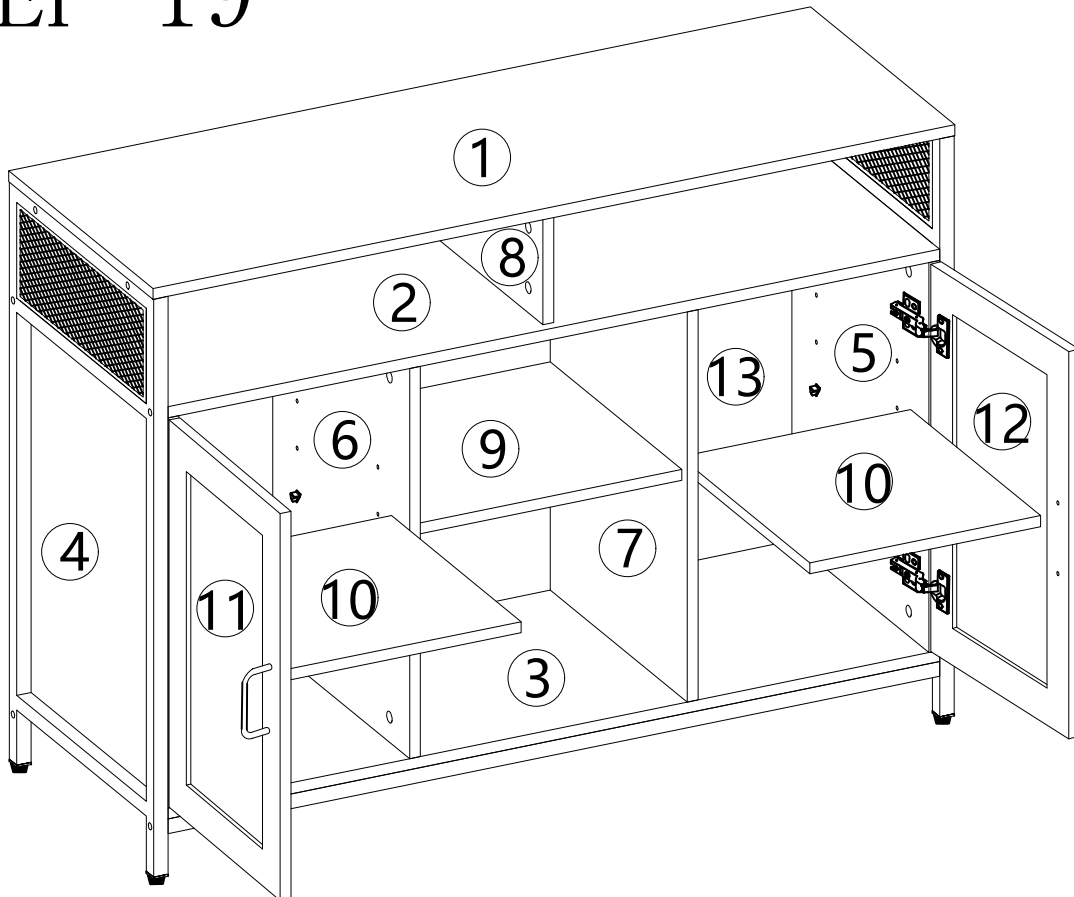


STEP 18

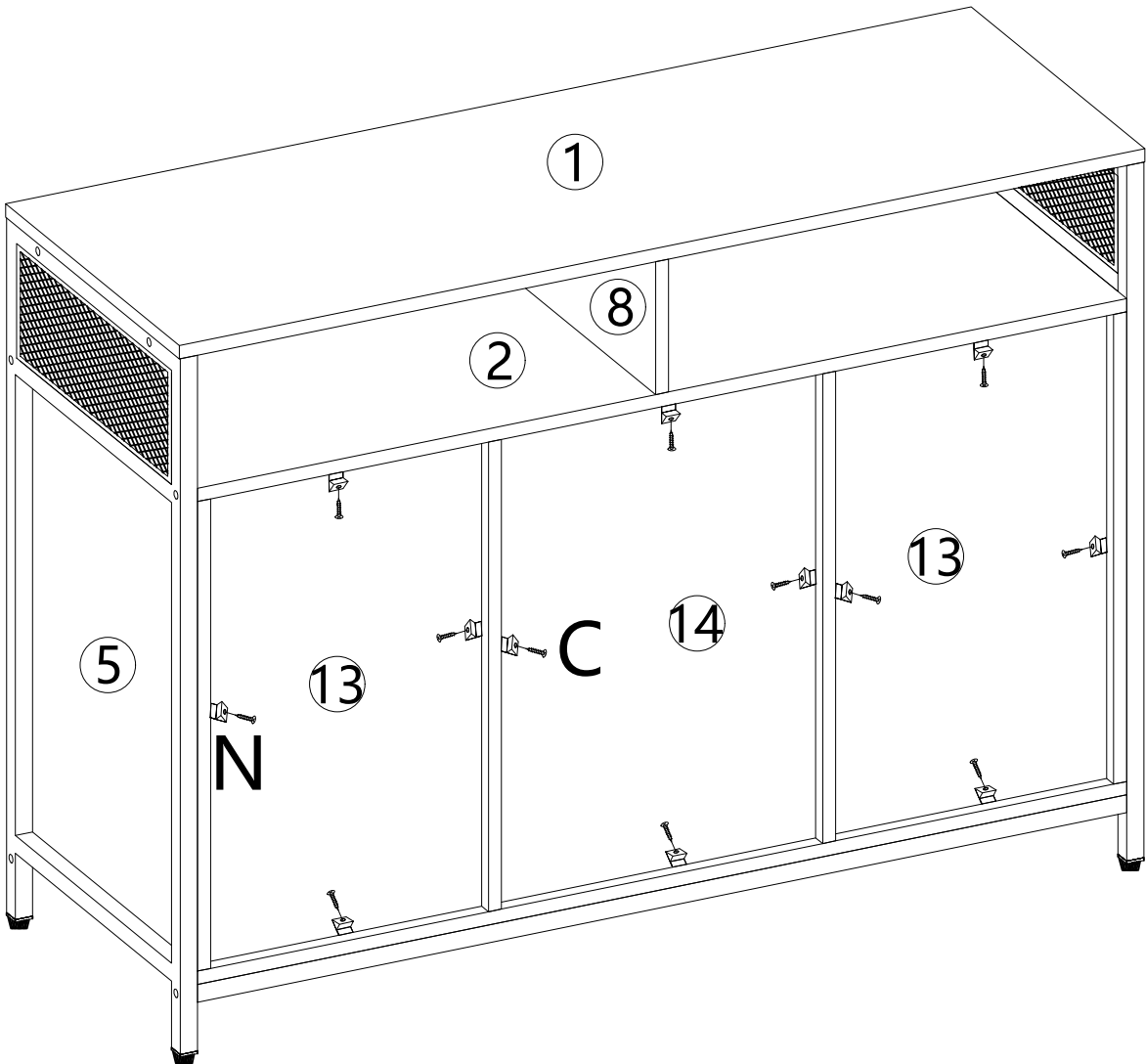




M × 8PCS

STEP 19

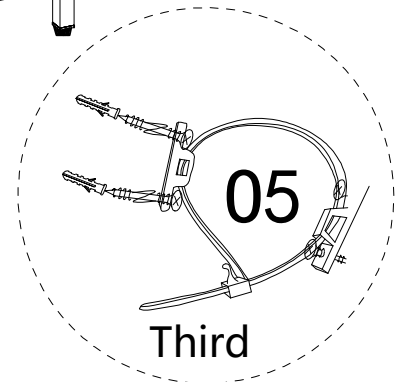
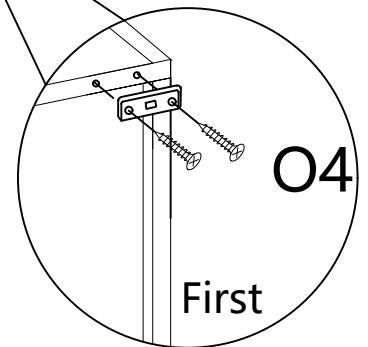
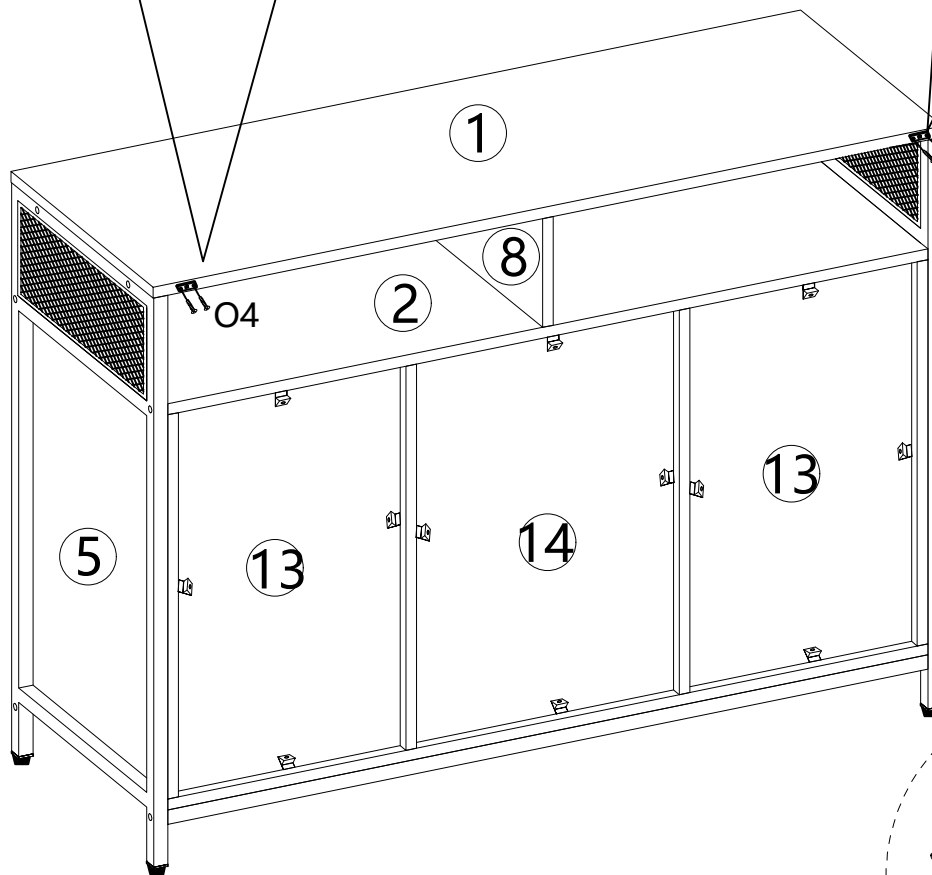
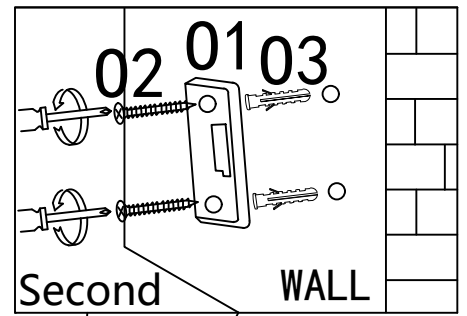
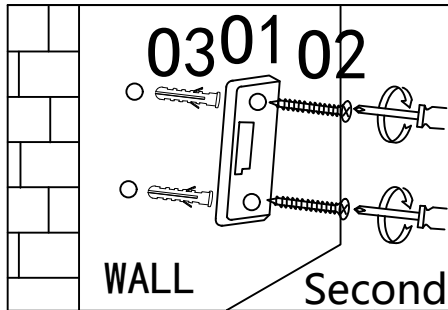


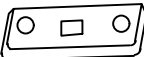
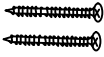
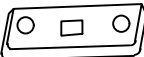
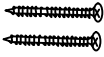
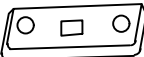

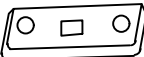


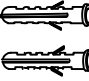
STEP 20



	C × 12PCS		N × 12PCS
---	-----------	---	-----------

STEP 21



		$01 \times 2\text{PCS}$
		$02 \times 4\text{PCS}$
		$03 \times 4\text{PCS}$
		$04 \times 4\text{PCS}$
		$05 \times 2\text{PCS}$

END

