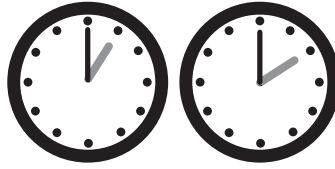
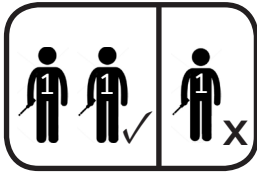
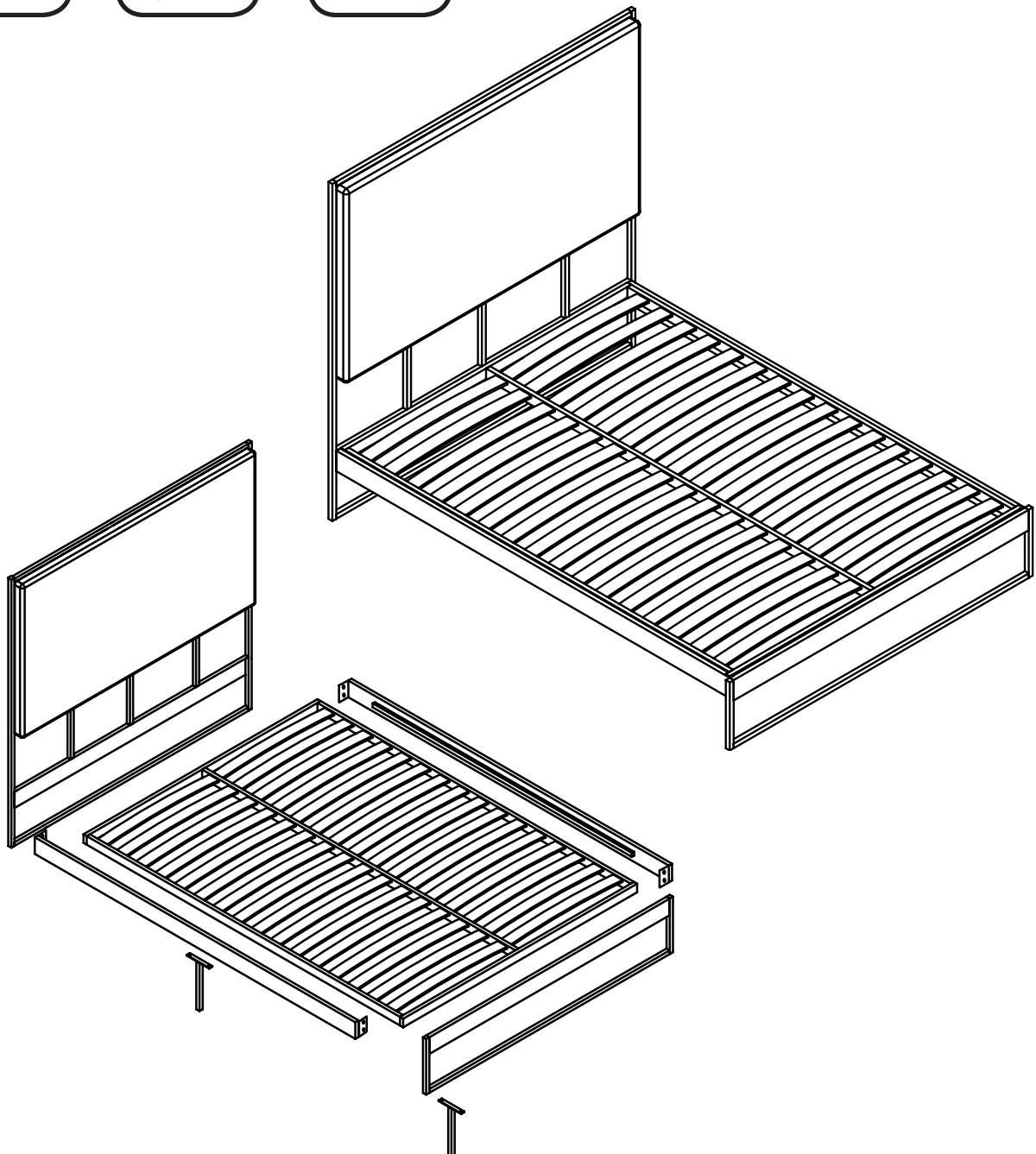
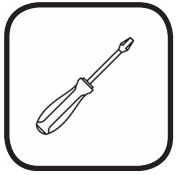


# Bed Frame & Headboard

DOUBLE Bed  
KING Bed



1 - 2 hrs

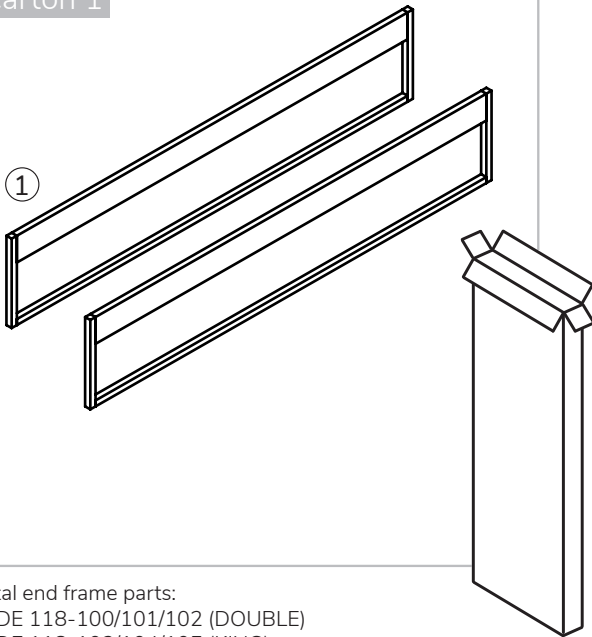


## items

total cartons = 5 for panelled headboard style

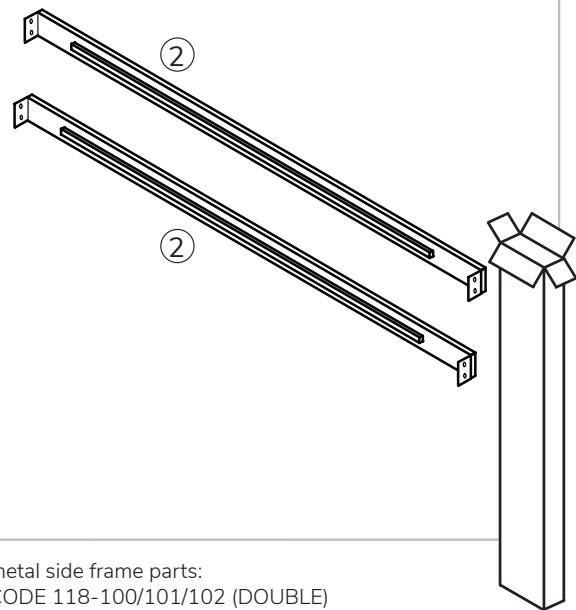
total cartons = 4 for upholstered headboard style

carton 1



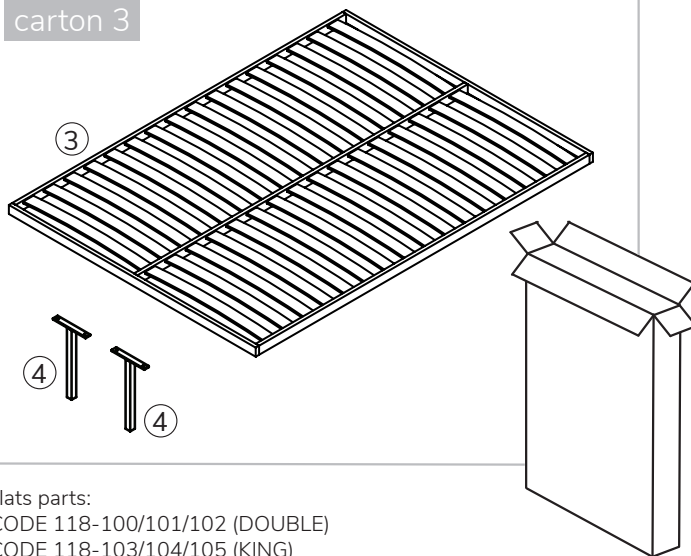
metal end frame parts:  
CODE 118-100/101/102 (DOUBLE)  
CODE 118-103/104/105 (KING)

carton 2



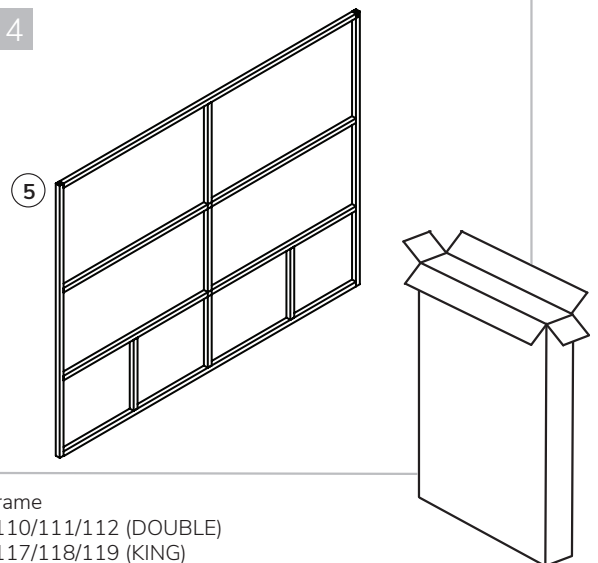
metal side frame parts:  
CODE 118-100/101/102 (DOUBLE)  
CODE 118-103/104/105 (KING)

carton 3



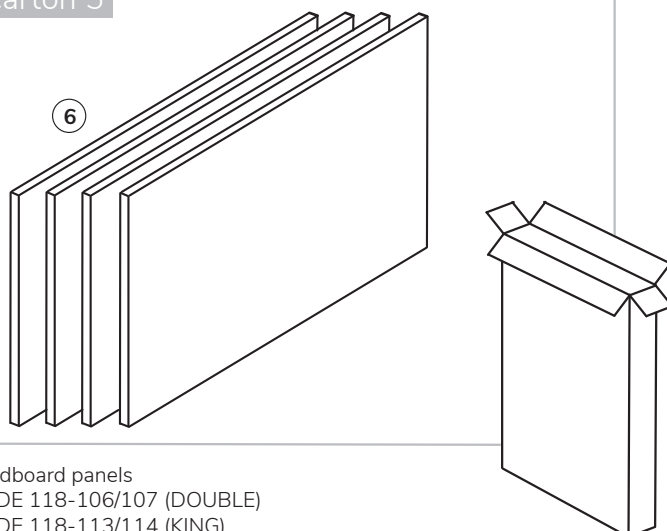
slats parts:  
CODE 118-100/101/102 (DOUBLE)  
CODE 118-103/104/105 (KING)

carton 4



headboard frame  
CODE 118-110/111/112 (DOUBLE)  
CODE 118-117/118/119 (KING)

carton 5



headboard panels  
CODE 118-106/107 (DOUBLE)  
CODE 118-113/114 (KING)

## hardware



Item A = Black plastic end caps x 4 (4 pieces in carton 1)



Item B = Bolt M6\*10 x 8 (8 pieces in carton 2)



Item C = Allan key x 1



Item D = Threaded rod M8\*320 x 2 (2 pieces in carton 4)



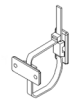
Item E = Bolt m8\*20 x 3 (2 pieces in carton 4)(PROVIDES 1 SPARE)



Item F = Plastic connector x 2 (2 pieces in carton 4)



Item G = Bolt M6\* x 10 (16 pieces in carton 5)



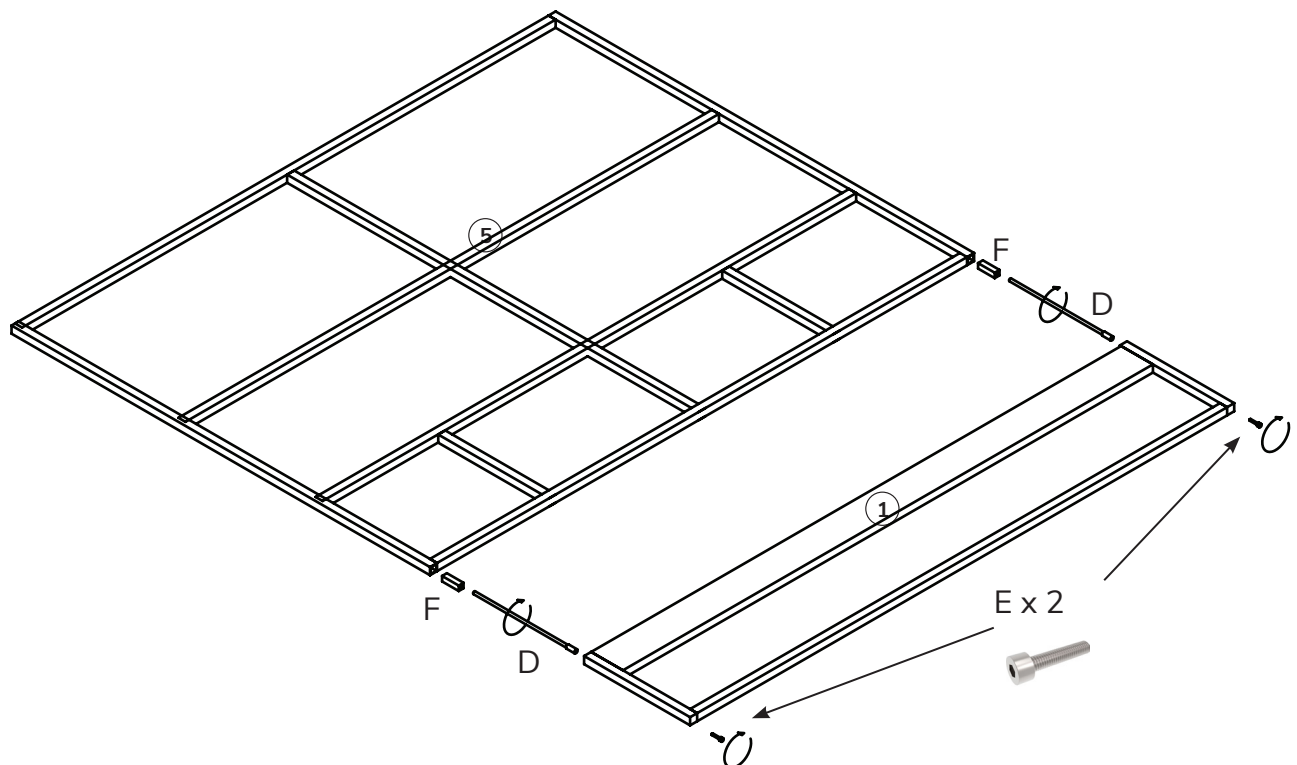
Item H = Wall attachment x 2 (2 pieces in carton 4)



Item I = Screw for wall bracket x 2 (2 pieces in carton 4)

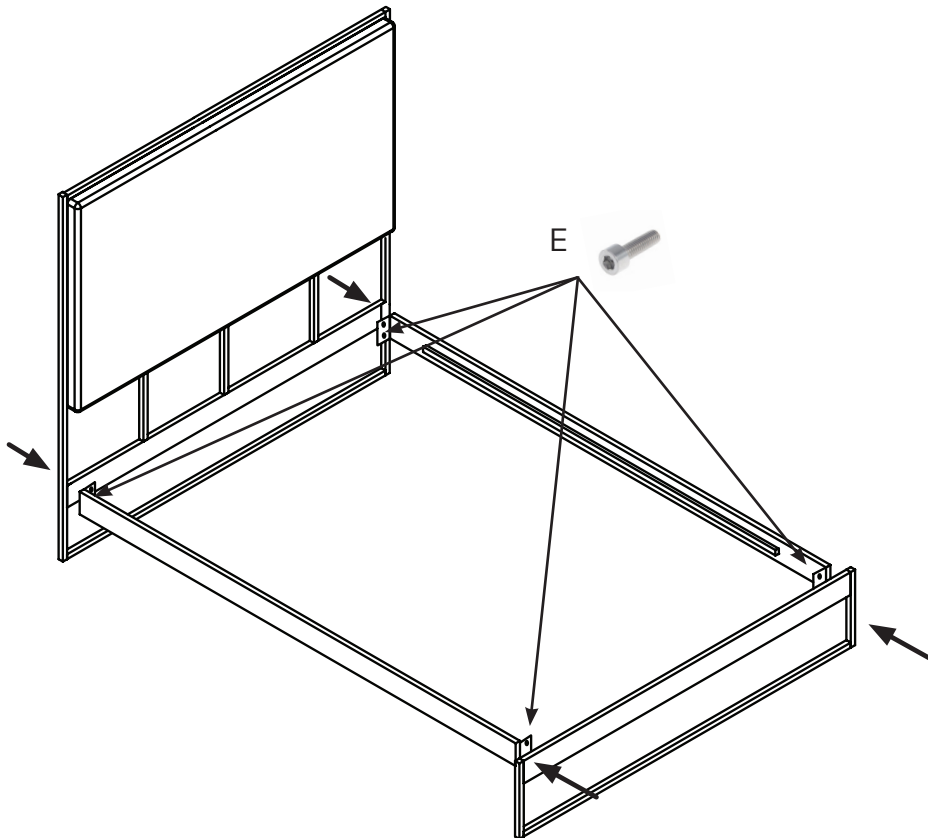
## assembly stage 1

Connect the headboard frame to one of the base end frames using the threaded rod and plastic connector



## assembly stage 2

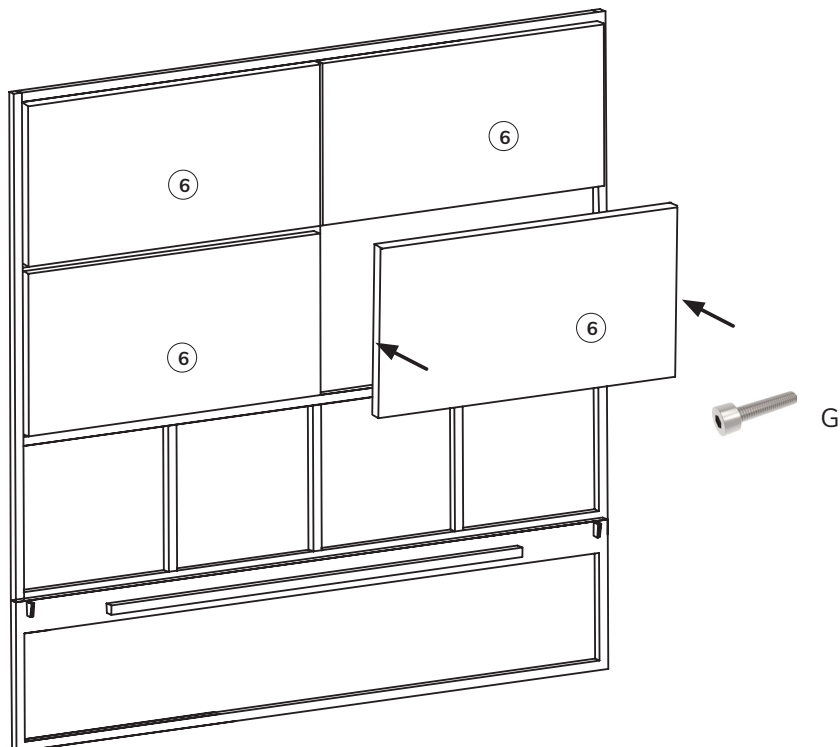
Attach frame using hook fixing and secure with bolts



\* For upholstered headboard proceed to STEP 4

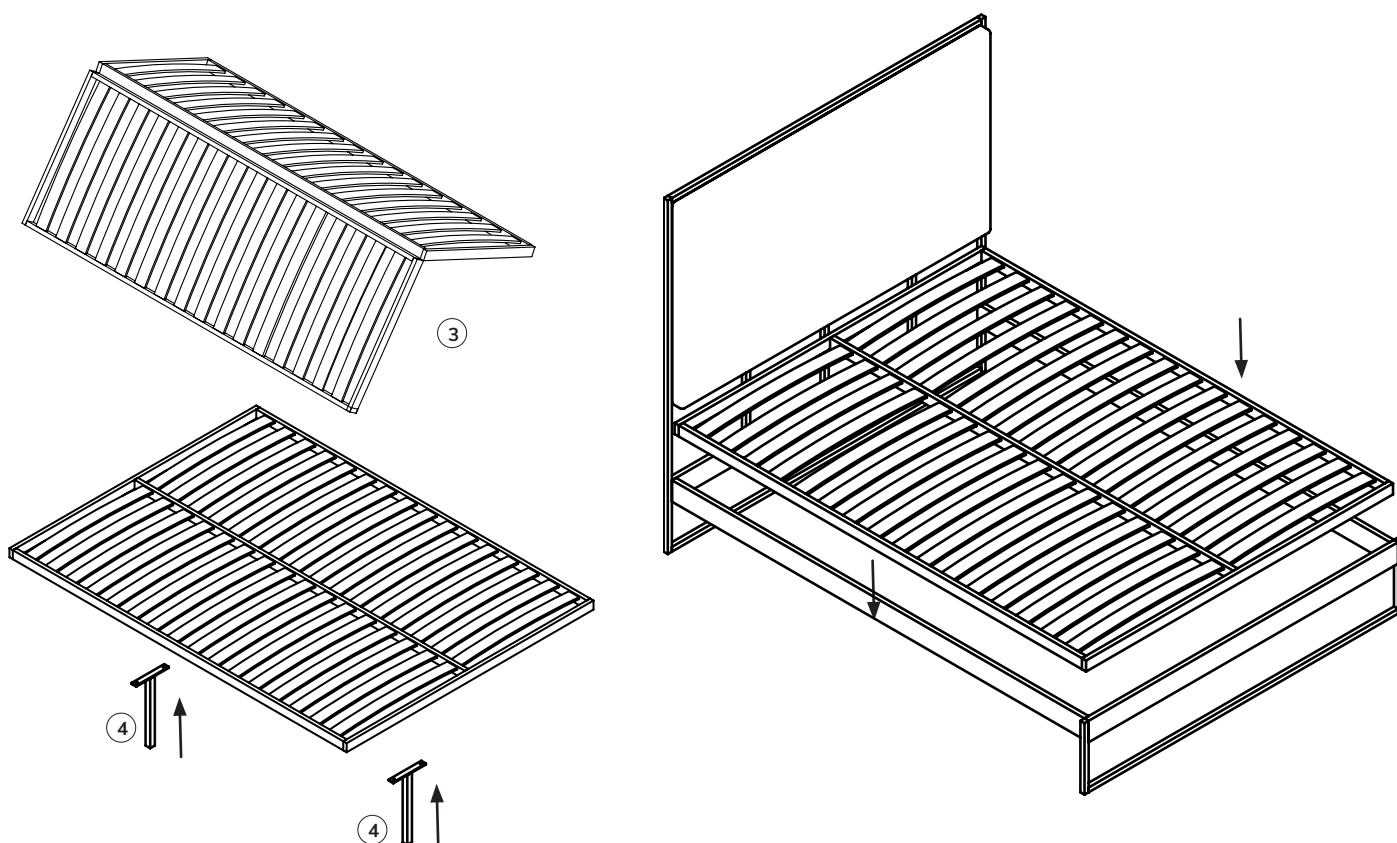
## assembly stage 3 \*NB - wooden headboard only

Secure the headboard panels from the rear of the metal frame.



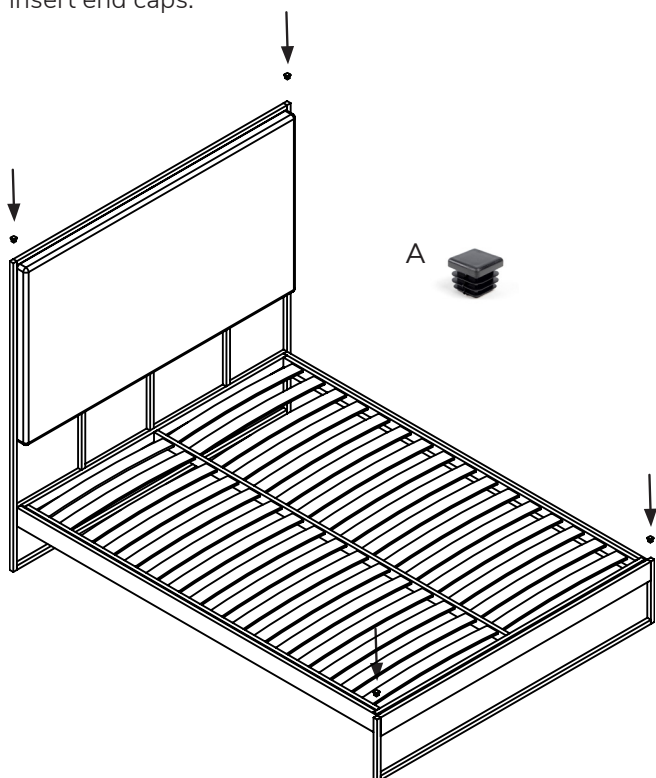
## assembly stage 4

Open and place slats into frame. Attach central support legs to underside of slat frame with nuts and bolts supplied.



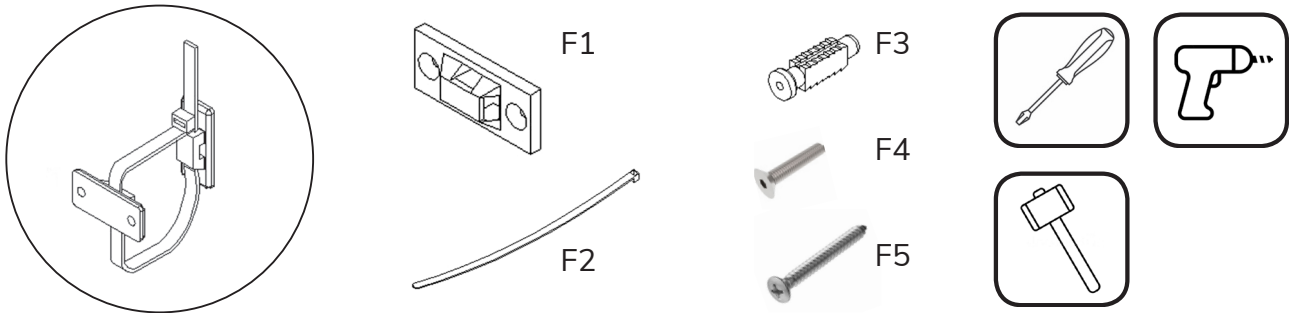
## assembly stage 5

Insert end caps.



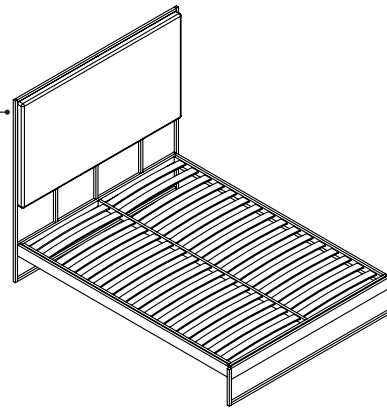
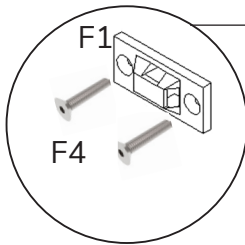
## assembly stage 6

It is recommended that you use the fixing strap provided to secure the furniture item to the wall to provide added stability for the headboard. (NB. Wall plugs not supplied)



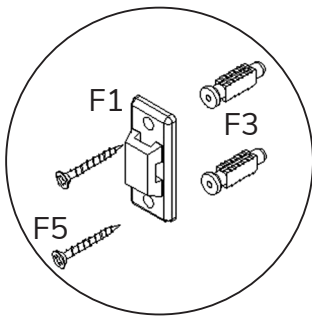
1.

- Attach 2 x bracket A to the top rear of the furniture frame



2.

- Make a mark on the wall approximately 2.5cm below bracket **F1** that is installed on the furniture.
- Attach the second bracket **F1** to the wall on this mark so it lines up vertically with the bracket on the furniture.
- To fix the bracket to the wall first drill 2 x 5mm holes into the wall at the mark using the bracket as a template for the hole position.
- Insert the plastic plugs **F3** into the holes in the wall and tap lightly with a hammer until they are seated flush.
- Attach the bracket A to the plastic plugs with long screws **F5**.



3.

- Move the furniture into position and line up the bracket **F1** on the furniture with the bracket **F1** on the wall.
- Thread strap **F2** through the brackets as shown.
- Pull strap to secure but do not over-tighten

