

## IMPORTANT

---

We recommend that this product is installed by a qualified professional plumber contractor.

Please check this product immediately to ensure that it has not been damaged and is complete. Before installation, please make sure this product is the correct model and you have all the parts required for installation and using.

Please read these instructions carefully and keep it for future reference.

## MAINTENANCE

---

We DO NOT recommend using any household cleaners to clean the product. The product should be cleaned only with soapy water. Rinsed with clean water and dry with a soft cloth.

### LIMITED LIFETIME WARRANTY

KIBI provides its customers with an extensive warranty as a result of our excellent workmanship and high quality components used in our products.

**Mechanical warranty:** A limited lifetime warranty is provided on all mechanical parts to be free from manufacturing defects in materials and workmanship under normal use for as long as the original purchaser owns their home.

**Finish warranty:** A 5-year warranty is provided on all KIBI faucet finishes to the original purchaser against manufacturing defects in materials and workmanship.

At its sole discretion, KIBI will repair or replace any part or finish that proves to be defective in material and/or workmanship under normal installation, use and service.

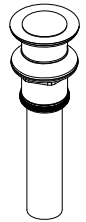
This warranty is extended to the original consumer owner, but does not cover installation or any other labor charges. In no event shall KIBI be liable for any incidental, consequential or special damages, installation cost, labor, travel time, freight costs incurred, lost profits, or contingent liabilities. KIBI makes no representation that its products comply with any or all local building or plumbing codes. It is the consumer's responsibility to determine local code compliance.



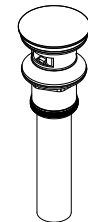
## Installation Guide



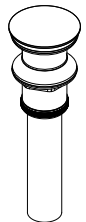
KPW100



KPW101

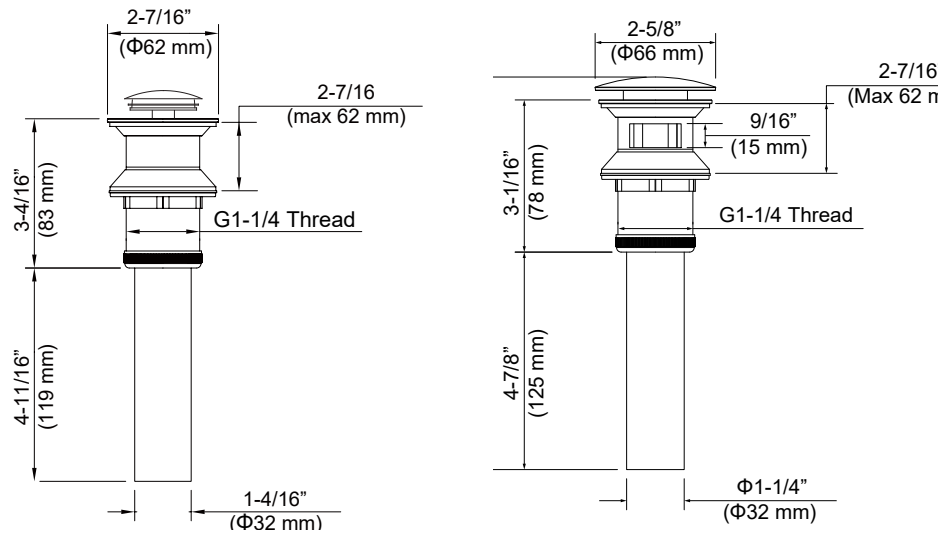


KPW102



KPW103

## DIMENSIONS



## INSTALLATION

**1**

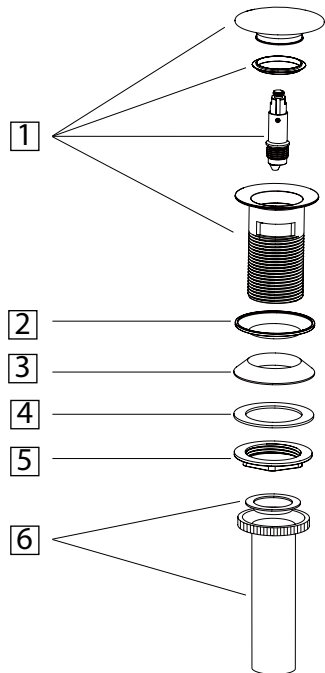
Remove all components from drain piece including: thin and thick silicone washer, hard washer, drain nut and tail piece.

Insert drain and thin silicone washer into basin. Apply Teflon to the exposed male threading area of drain piece.

**2**

Insert thick silicone washer and hard washer over the exposed male threaded area and screw drain nut onto drain. Do not overtighten.

## PARTS



1	Drain
2	Thin Rubber Washer
3	Thick Rubber Washer
4	Hard Washer
5	Drain Nut
6	Tail piece

**3**

Screw tail piece onto drain using the tail washer.

**4**

Install waste system (not included) and check for leakage.