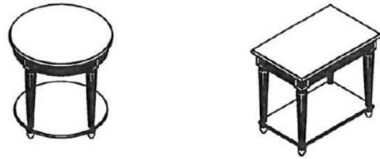


ASSEMBLY INSTRUCTIONS

BEFORE YOU START:

1. Check the parts against the parts list to make sure all items are present.
2. Assemble your furniture on a soft, flat surface to avoid scratching the finish.
3. **CAUTION:** Do not over tighten screws, nuts or bolts during assembly.
4. Your furniture may require occasional tightening.



INSTRUCTIONS:

1. Turn the Table top upside down on a clean soft surface.
2. Screw hanger bolt on Table legs into metal connector bottom base as shown. Tighten all align Table legs. (see Figure 1)
3. Put Shelf on bottom of Table Legs. Screw hanger bolt on Bun foot through pre-drilled holes on Shelf into metal insert bottom of Table Legs as shown. Tighten all align Bun foot. (Figure 2)
4. When using power plug, please take out removable board on the back side, then attach it on the rail under top. (See Figure 3)

Figure 1

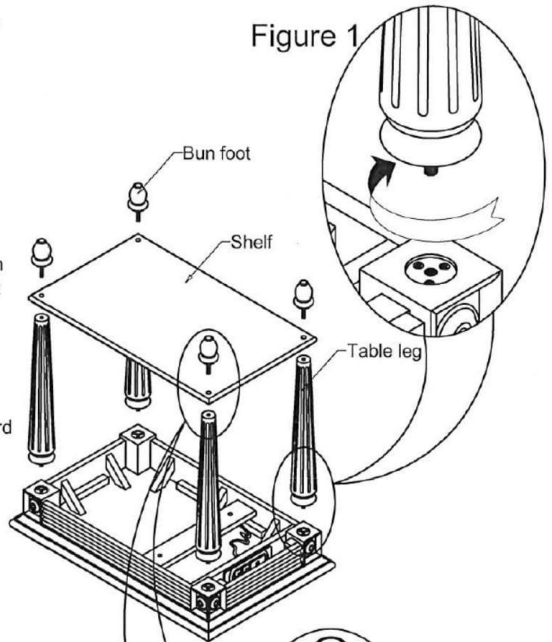


Figure 2

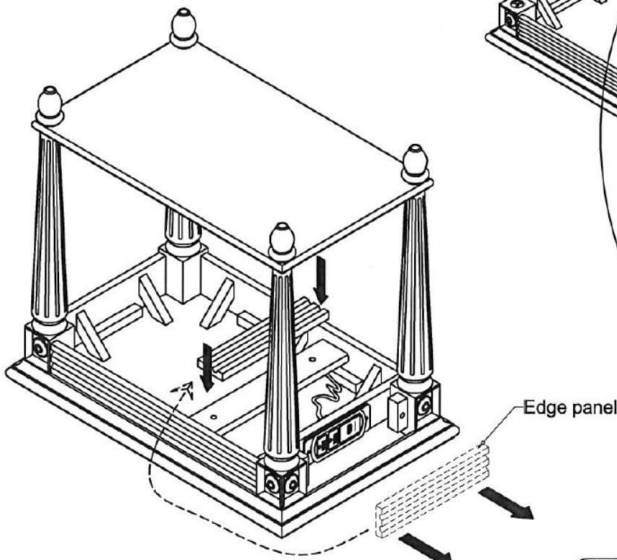
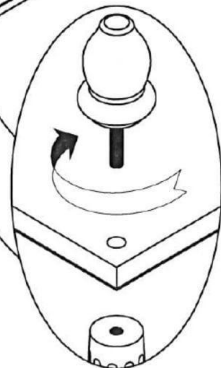


Figure 3

Thank you for purchasing furniture