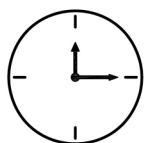
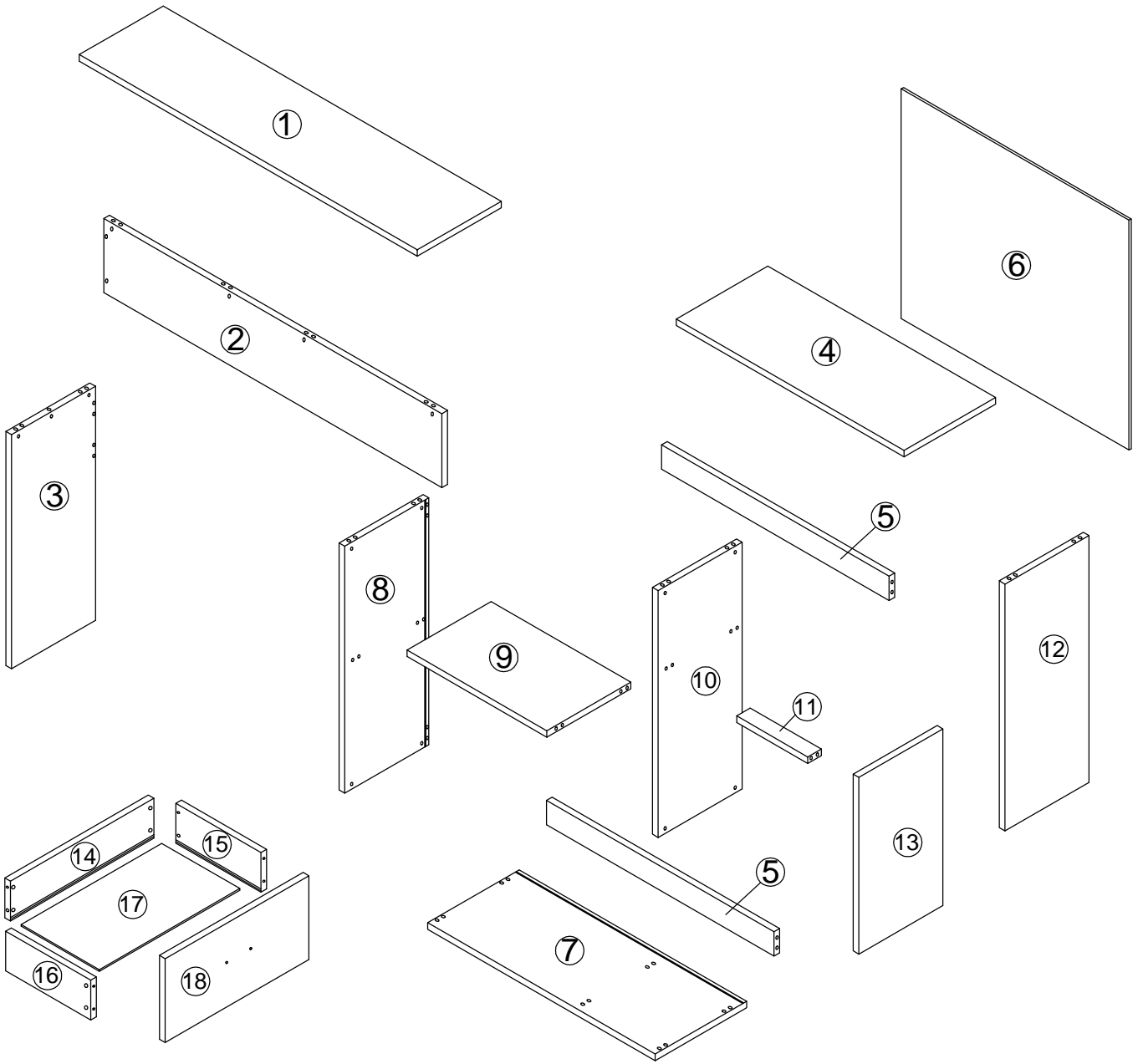
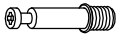




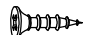


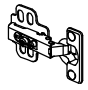



2 PERS.

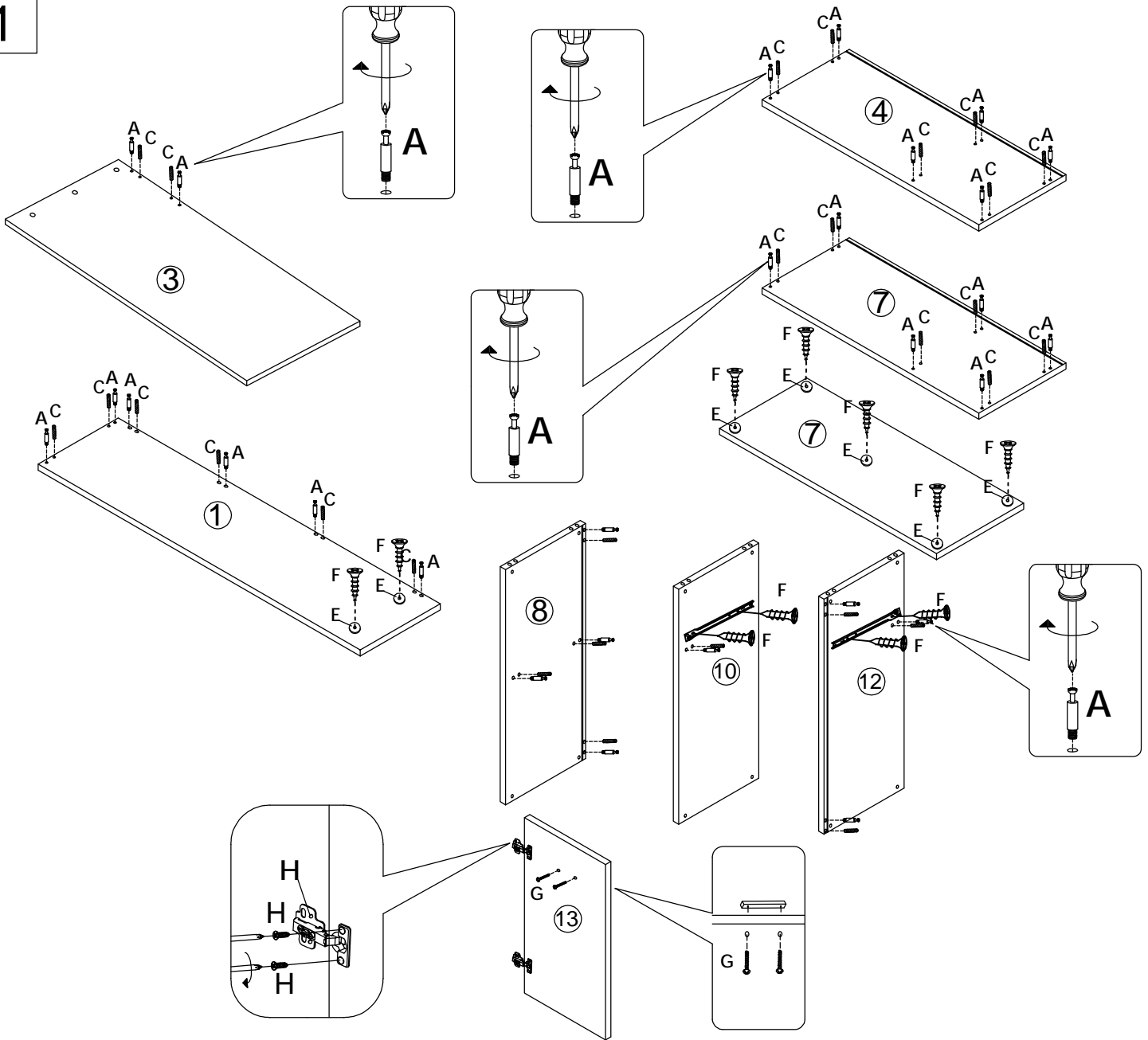


60 MIN

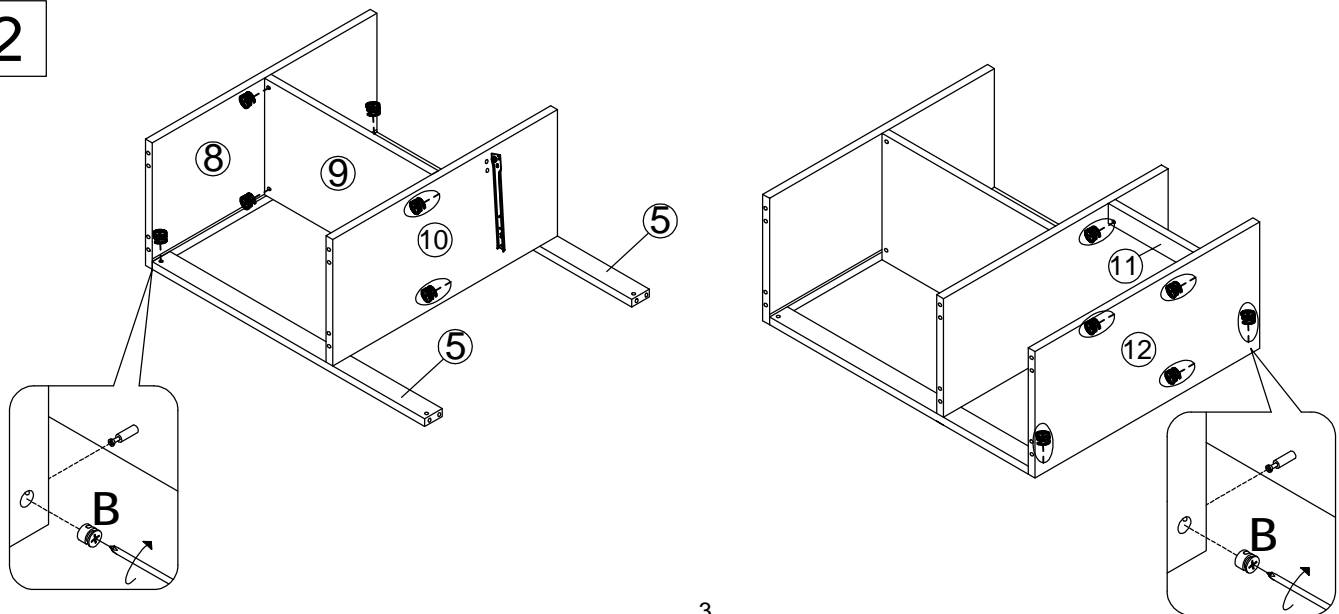


A	X39	B	X39	C	X30	D	X24	E	X7
									
F	X19	G	X2	H	X2	I	X1		
		 				 CL DL DR CR			

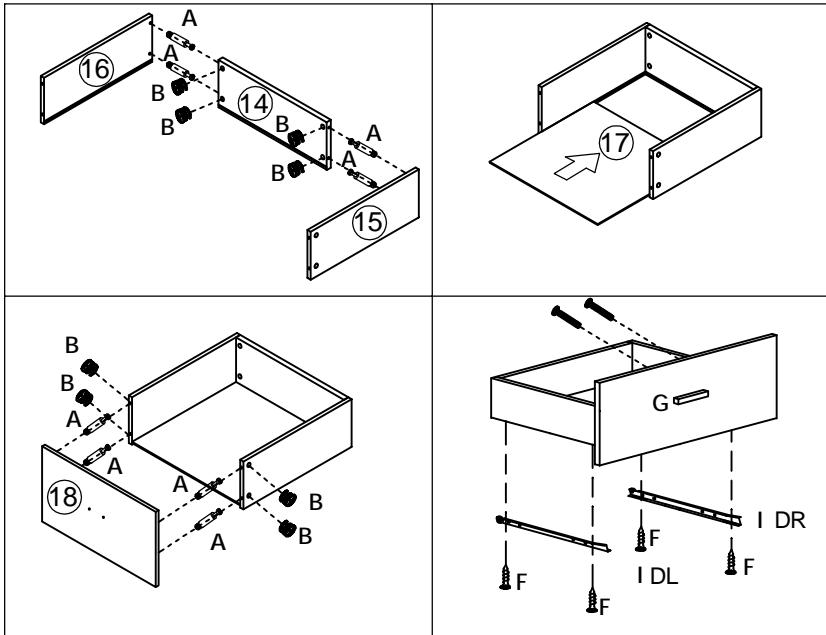
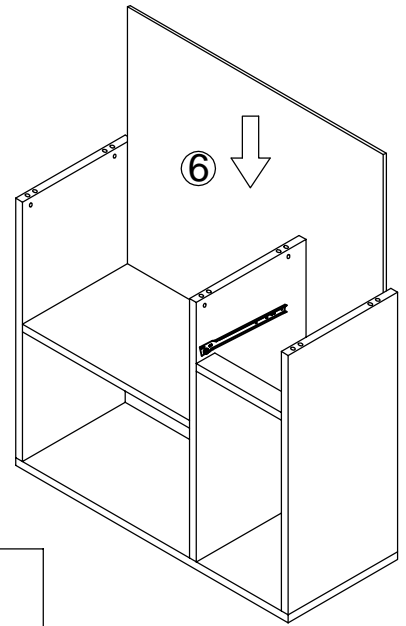
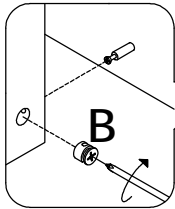
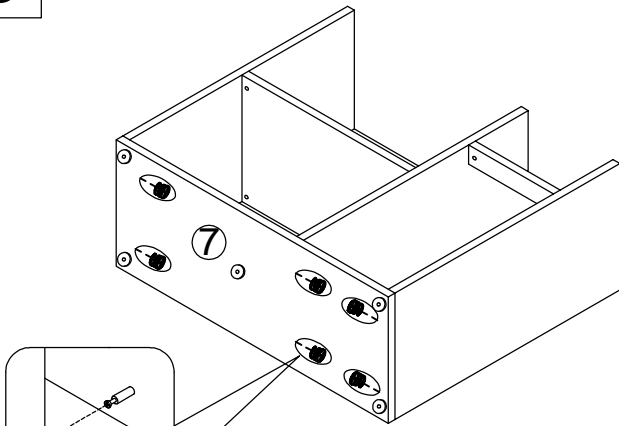
1



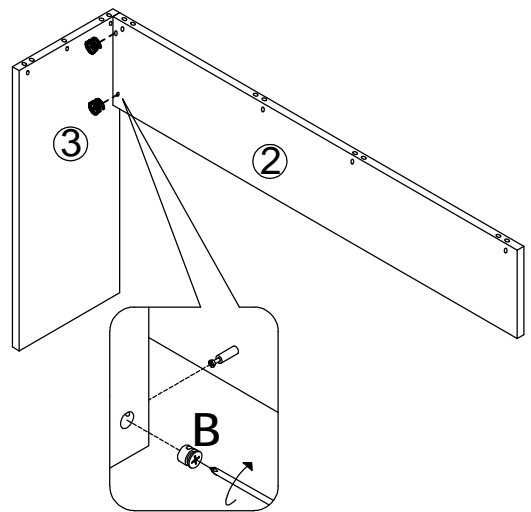
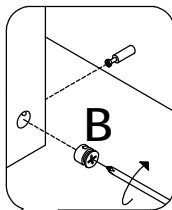
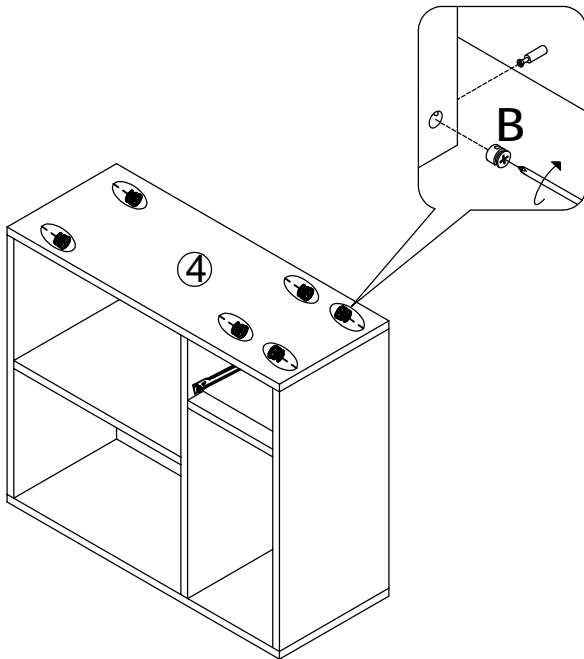
2



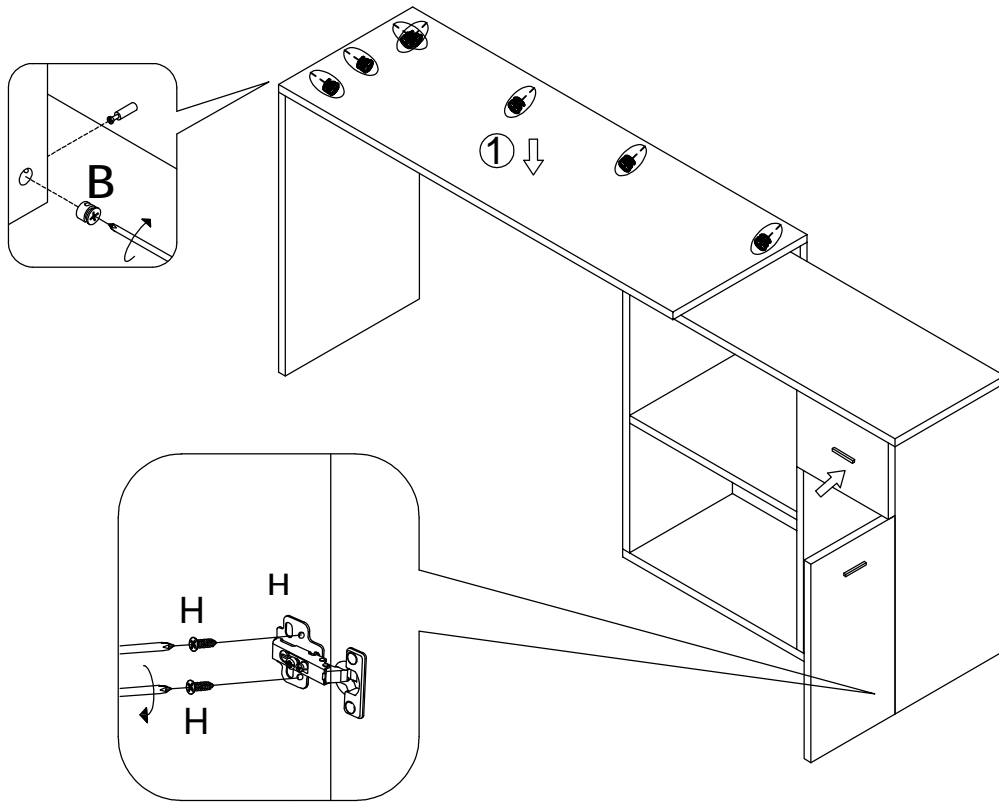
3



4



5



6

