

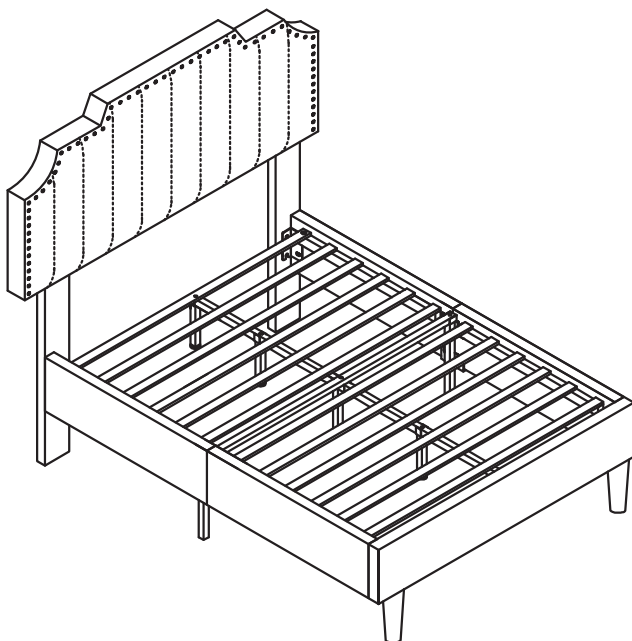
# Assembly Guide

## Tip!

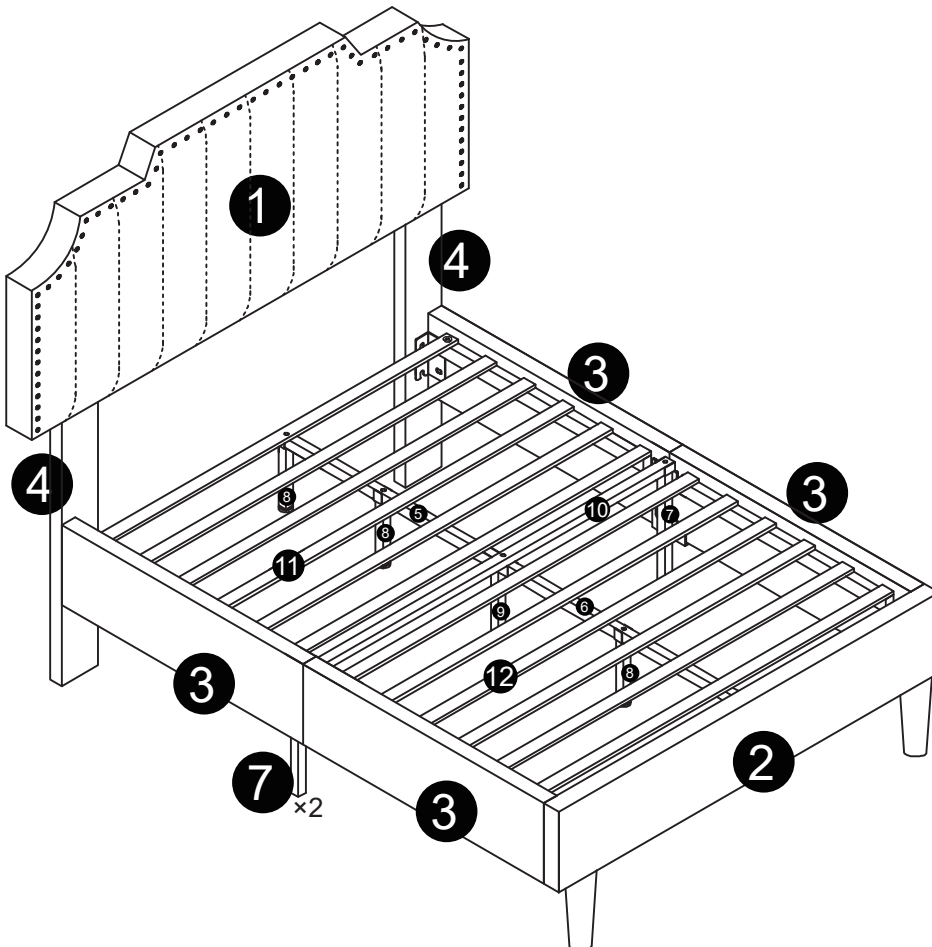
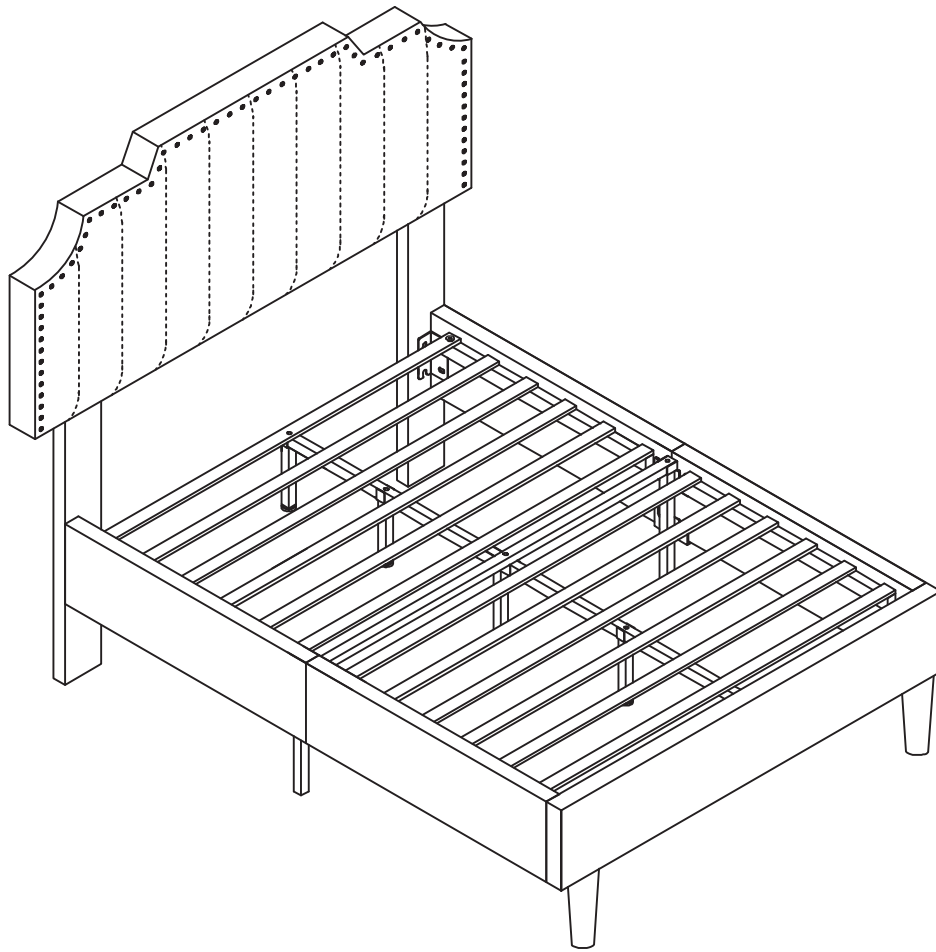
Do check for all the components and screws listed in this guide before putting things together.

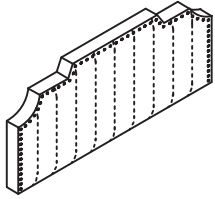
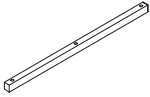
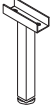
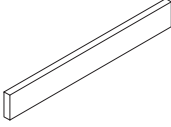
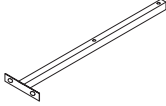
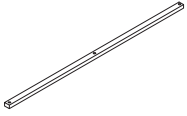
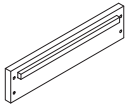

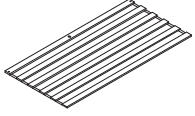


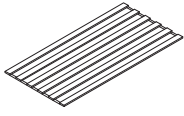
## Return Policy













Your satisfaction is our top priority. If our product fails to satisfy you, please let us know how we can make things right for you. Our trained customer care team can handle most concerns and assist you with any questions you may have. To be eligible for a full-refund return, the item must be in pristine condition, in the original packaging, with all of the shipped components intact and not yet assembled, and with the item's unique proof of purchase.






Item Description: Bed-Frame

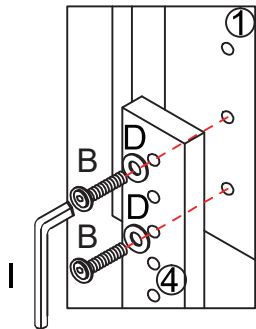


1		1	5		1	9		1
	TWIN:106*55*7.2cm			TWIN:84.5*2.5*2.5cm			TWIN:32.4*2.5*2.5cm	
	FULL:144*55*7.2cm			FULL:84.5*2.5*2.5cm			FULL:32.4*2.5*2.5cm	
	QUEEN:159*55*7.2cm			QUEEN:90.5*7*2.5cm			QUEEN:32.4*2.5*2.5cm	
2		1	6		1	10		1
	TWIN:100*15.2*2.5cm			TWIN:97.9*2.5*2.5cm			TWIN:95*2.4*1.2cm	
	FULL:138*15.2*2.5cm			FULL:97.9*2.5*2.5cm			FULL:133*2.4*1.2cm	
	QUEEN:153.5*15.2*2.5cm			QUEEN:103.7*2.5*2.5cm			QUEEN:148.5*2.4*1.2cm	
3		4	7		2	11		1
	TWIN:95.3*15.2*2.5cm			TWIN:34.6*7.5*4.3cm			TWIN:95*5.2*1.2cm	
	FULL:95.3*15.2*2.5cm			FULL:34.6*7.5*4.3cm			FULL:133*5.2*1.2cm	
	QUEEN:100.8*15.2*2.5cm			QUEEN:34.6*7.5*4.3cm			QUEEN:148.5*5.2*1.2cm	
4		2	8		3	12		1
	TWIN:83*7*2.5cm			TWIN:32.4*2.5*2.5cm			TWIN:95*5.2*1.2cm	
	FULL:83*7*2.5cm			FULL:32.4*2.5*2.5cm			FULL:133*5.2*1.2cm	
	QUEEN:83*7*2.5cm			QUEEN:32.4*2.5*2.5cm			QUEEN:148.5*5.2*1.2cm	

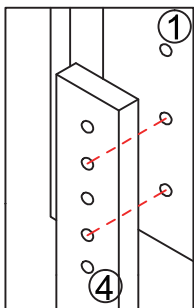
<b>A</b>	 Bolt M8 x 25	2	<b>A-1</b>	 Preinstalled on components Bolt M8 x 25	4
<b>B</b>	 Bolt M8 x 45	4	<b>C</b>	 Bolt M8 x 45	5
<b>D</b>	 Spacer	4	<b>E</b>	 Angle iron	2
<b>F</b>	 Foot	2	<b>G</b>	 Angle iron (Left)	1
<b>H</b>	 Angle iron (Right)	1	<b>I</b>	 Allen Key M5	1
<b>J</b>	 Screw M4 x 25	2	<b>L-1</b>	 Preinstalled on components Bolt M8 x 18	22

# Step 1 Each pair of holes corresponds to a mattress thickness as shown below

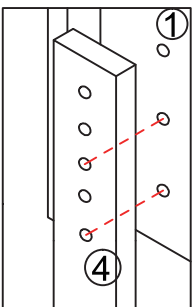
	Bx4
	Dx4
	lx1



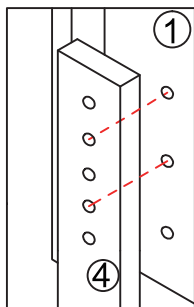
Use these holes to fit a 14 inch thick mattress (47.2 inch tall overall)



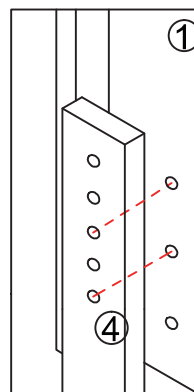
Use these holes to fit a 12 inch thick mattress (45.2 inch tall overall)



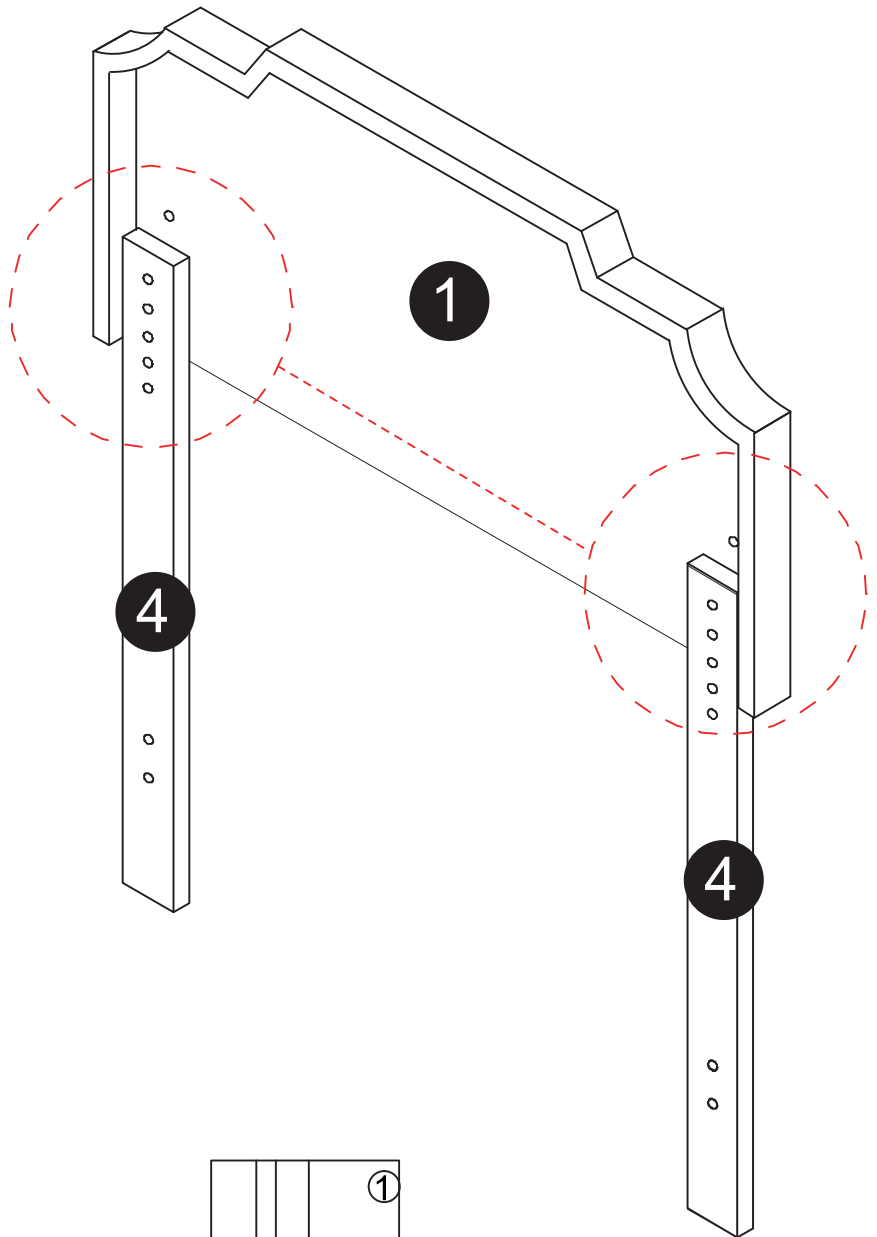
Use these holes to fit a 10 inch thick mattress (43.3 inch tall overall)







Use these holes to fit a 8 inch thick mattress (41.3 inch tall overall)

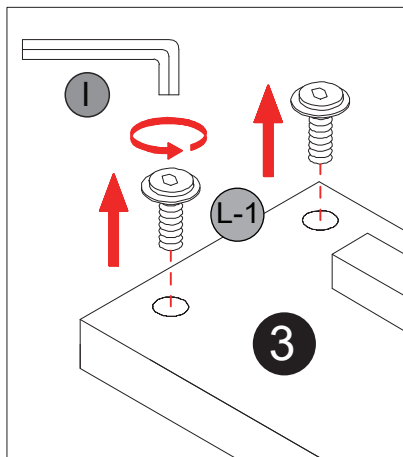


Use these holes to fit a 6 inch thick mattress (39.3 inch tall overall)

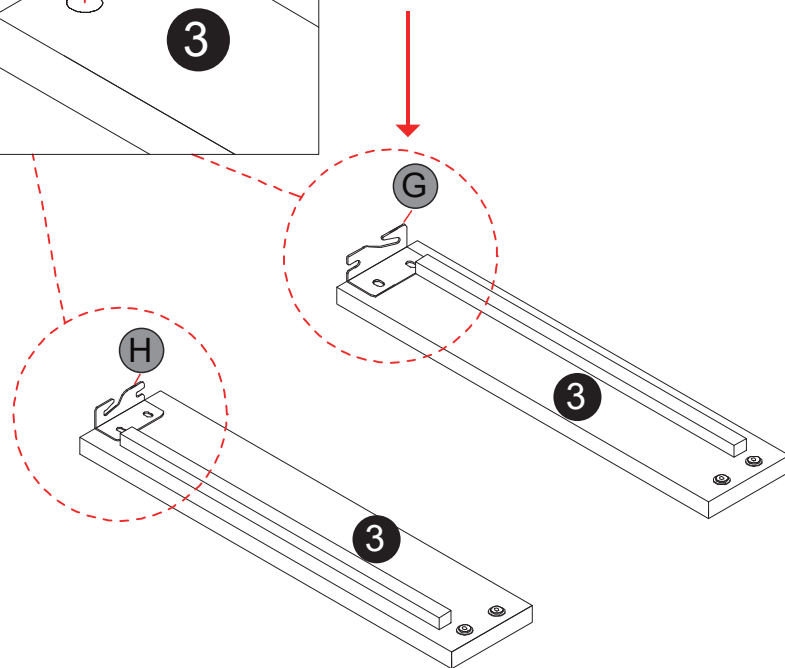
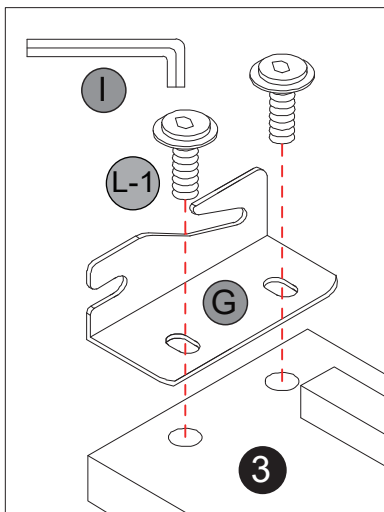


	L-1 × 4		Gx1		Hx1		Ix1
--	---------	---	-----	--	-----	--	-----




# Step 2

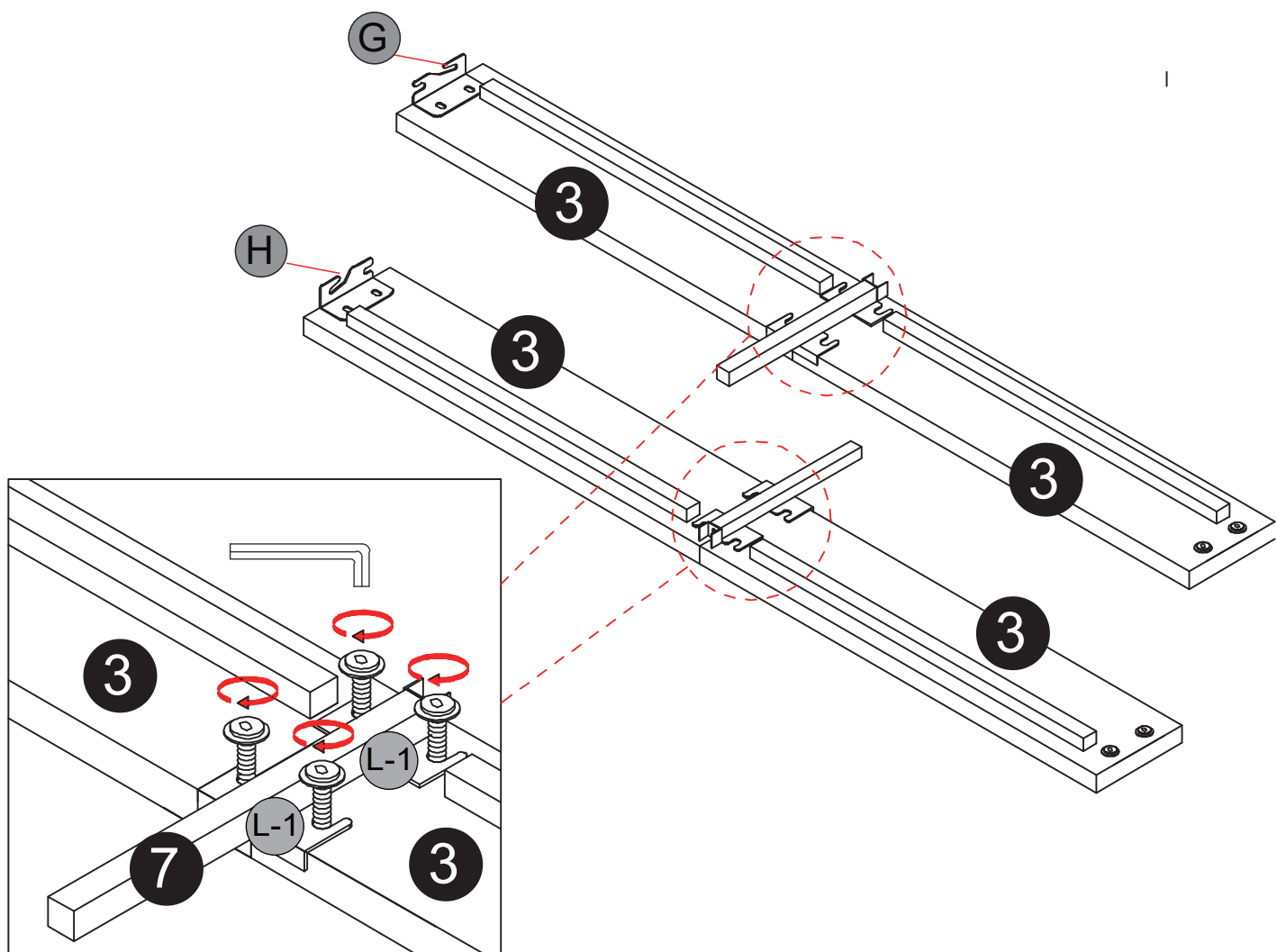


**Tips:**  
Must Keep the Brackets Lay Toward the Ground





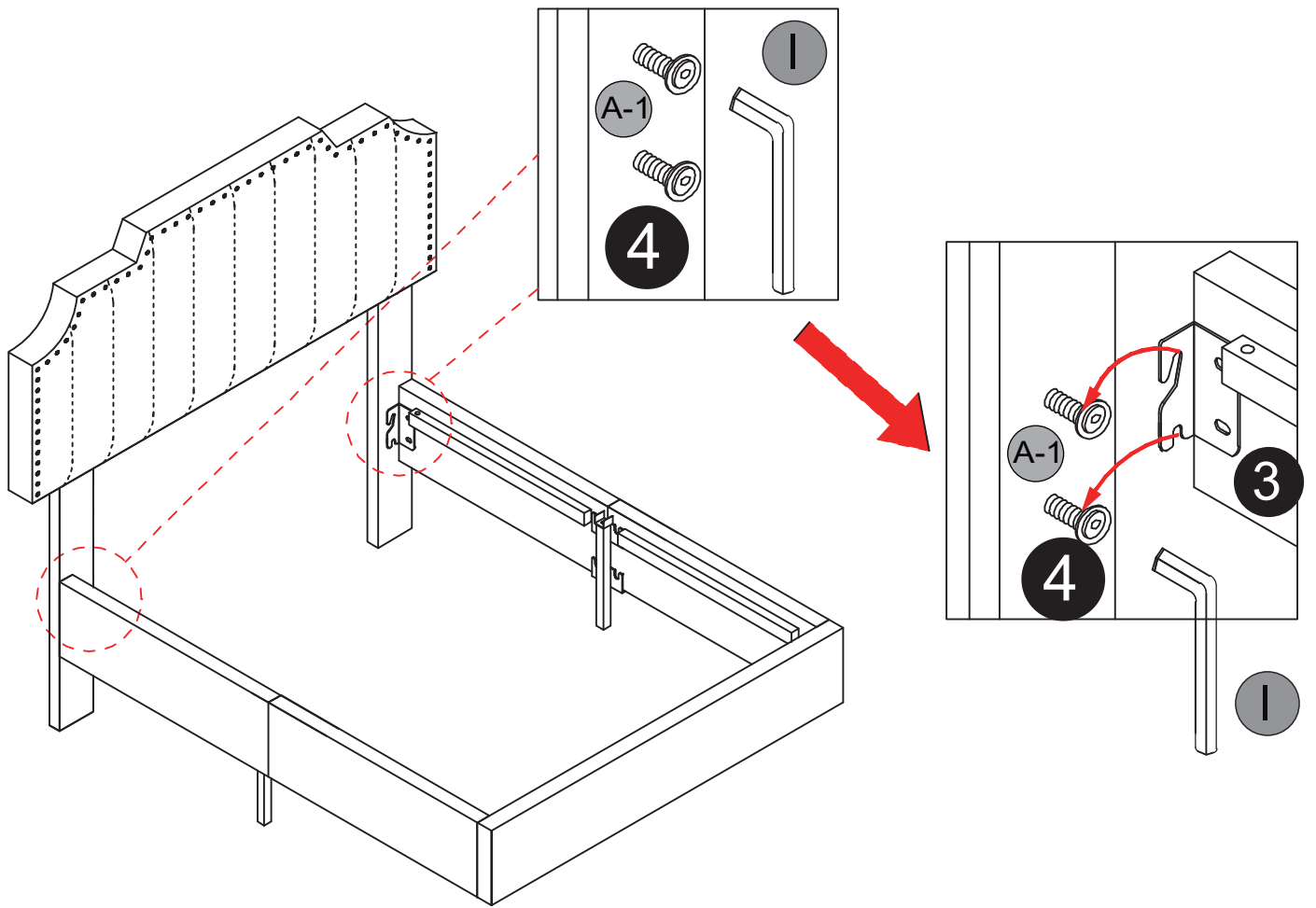
# Step 3

	L-1 x 8		<b>7</b> x2		1x1
---	---------	--	-------------	--	-----





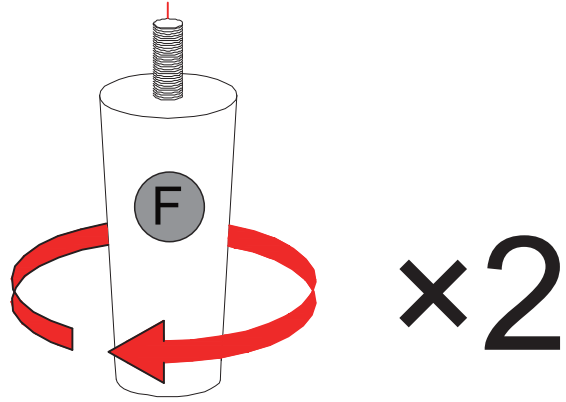
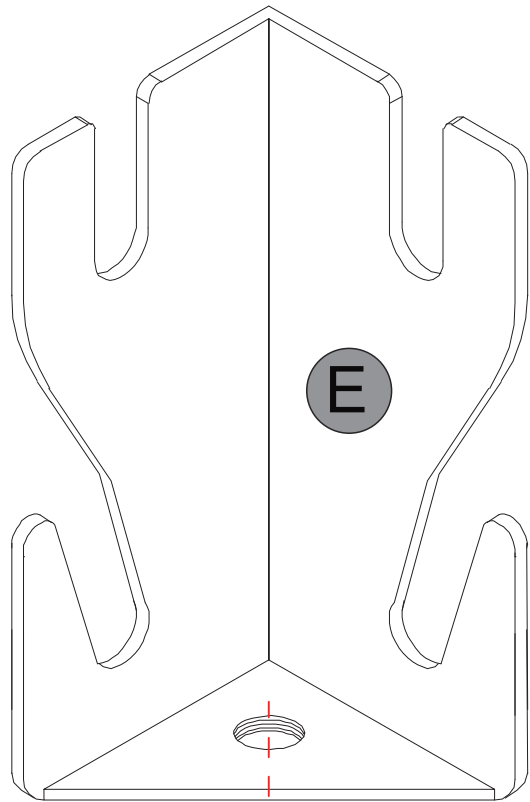
# Step 4

	A-1 × 4		1x1
--	---------	--	-----





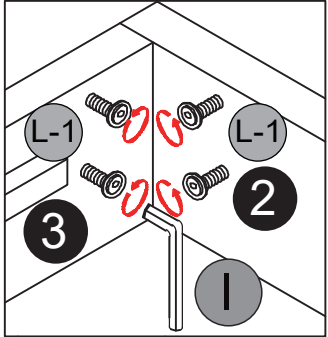
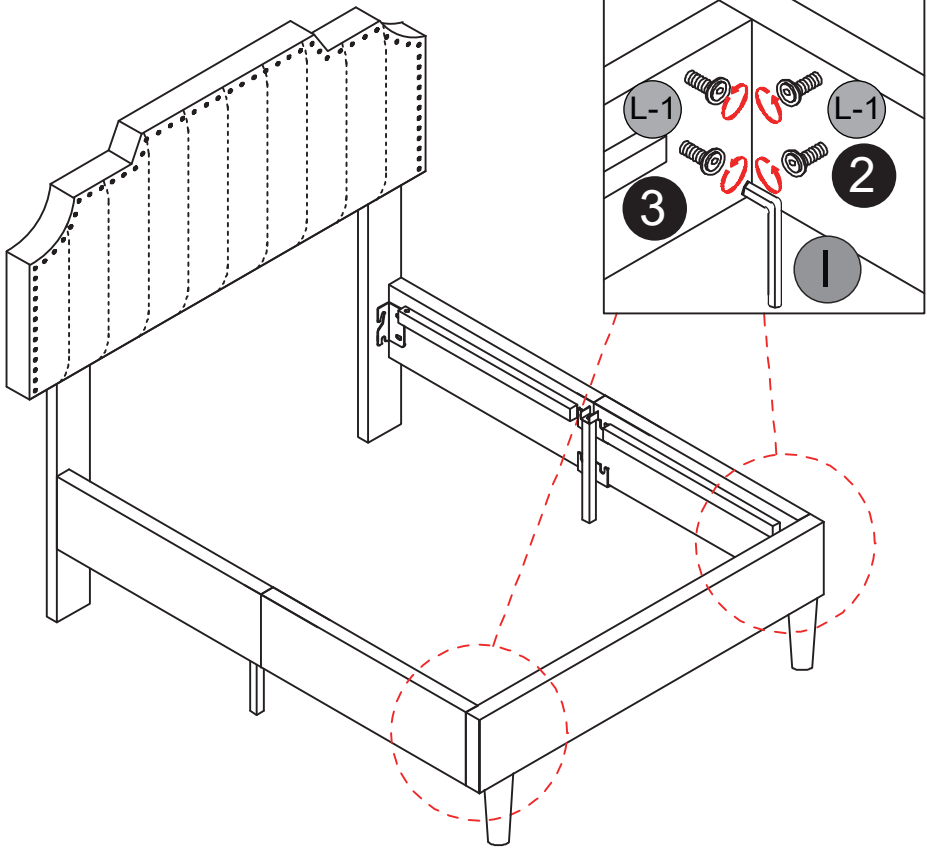
# Step 5

	Ex2
	Fx2

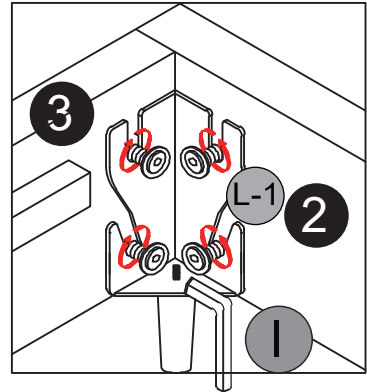


# Step 6




	L-1 x 8		1 x 1
--	---------	--	-------



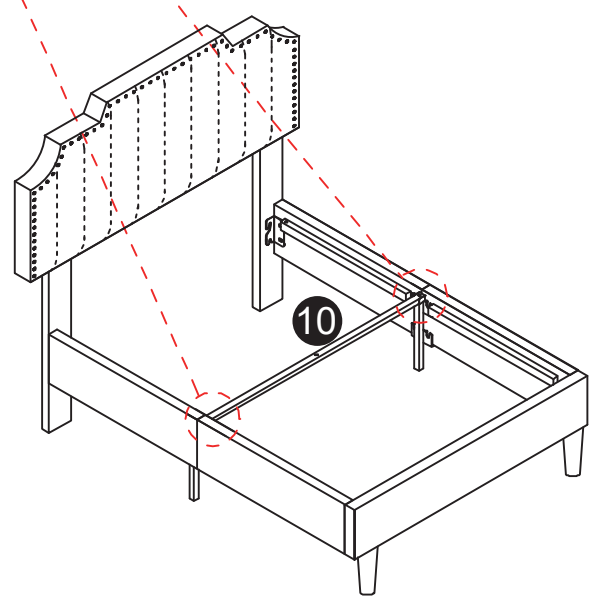
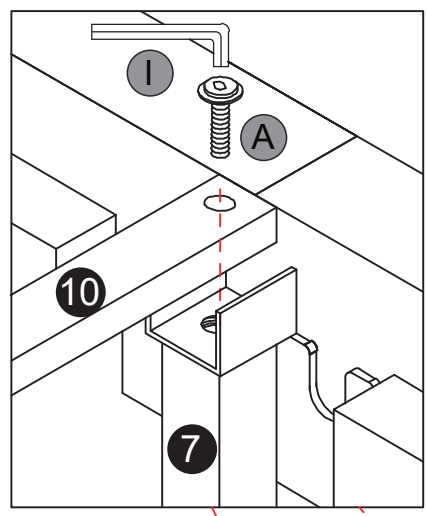
**Tips:**  
Loose the Preinstalled  
4 Screws for leg  
Installation, and Then  
Tighten Them Again.



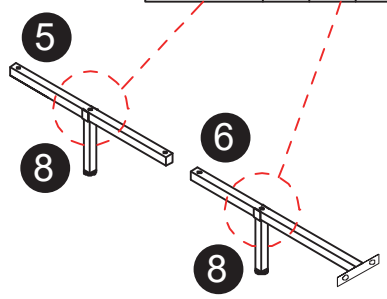
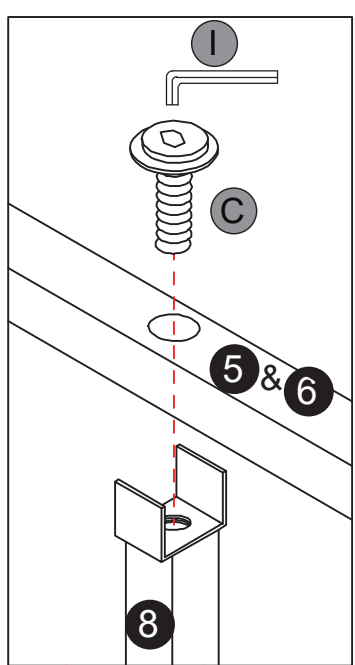
# Step 7

	Ax2
	Cx2
	Ix1

7-1



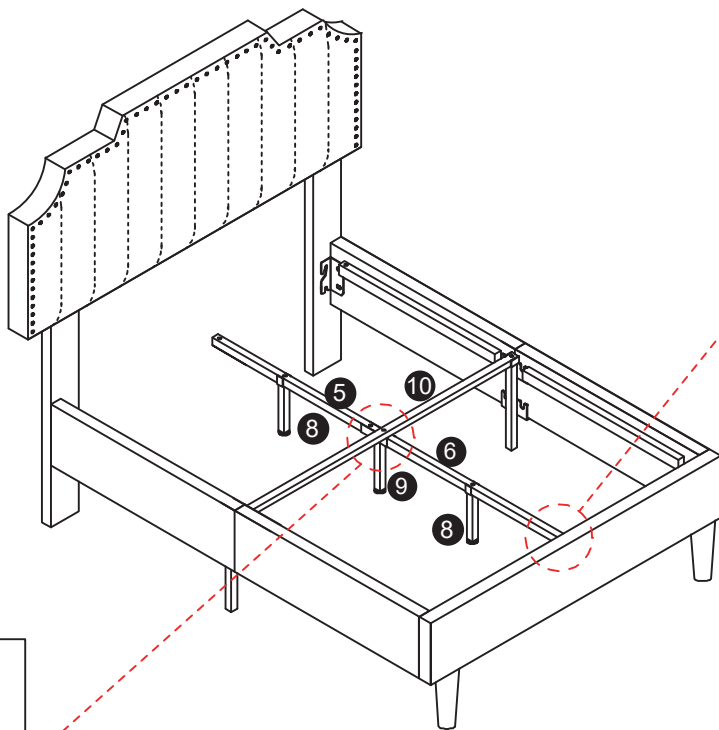
7-2



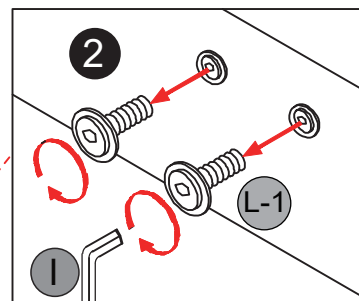
# Step 8

	L-1 x 2		Cx2		Ix1
--	---------	--	-----	--	-----

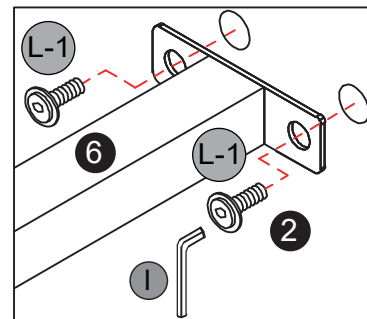
Unscrew the original screw



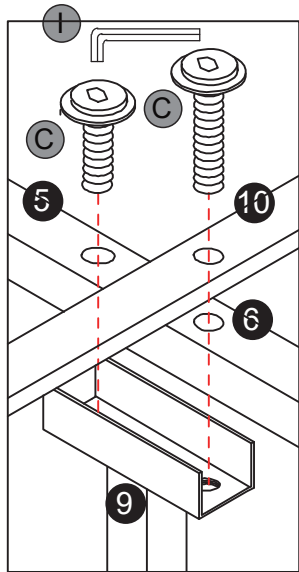
8-1



8-2



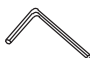


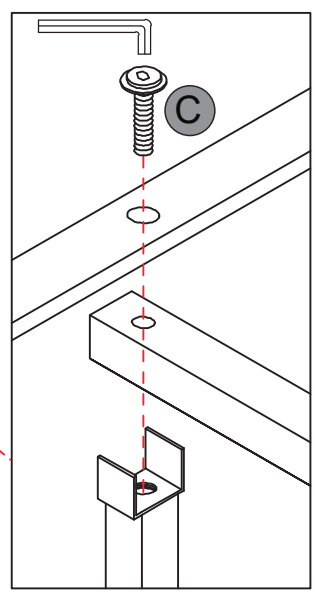
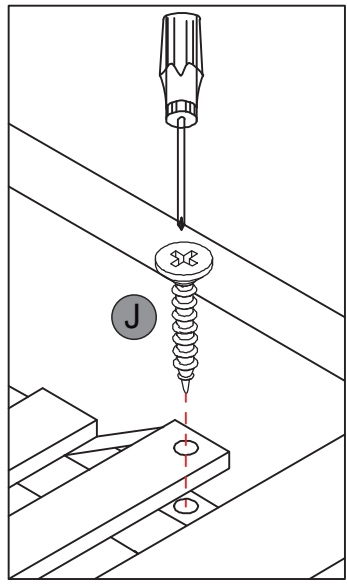
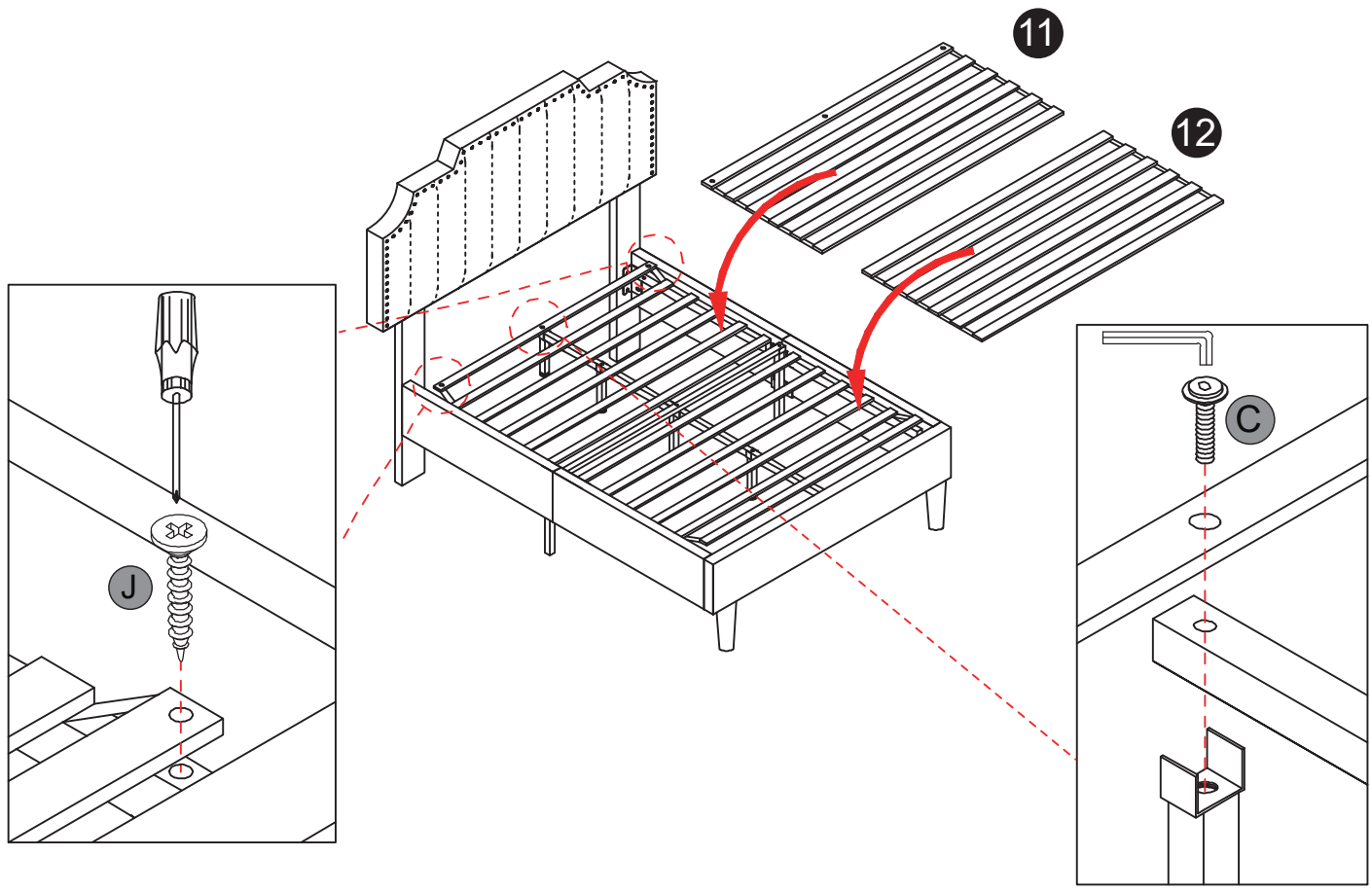
8-3



Tighten the original screw

# Step 9

	Cx1
	Jx2
	Lx1



Step 10

Check and tighten all screws

