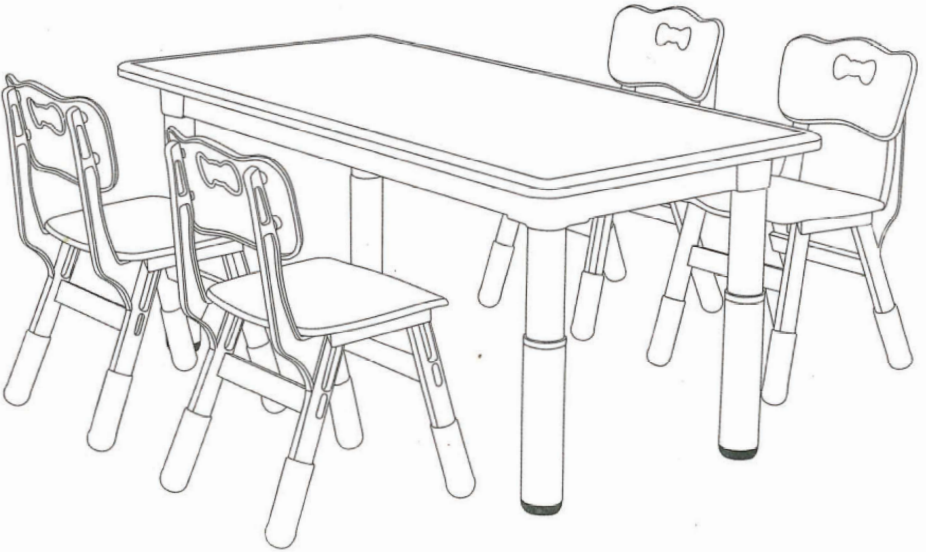
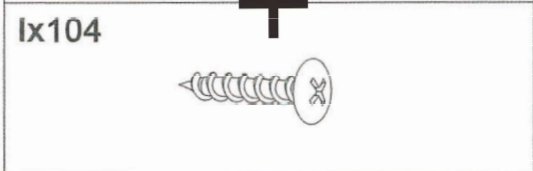
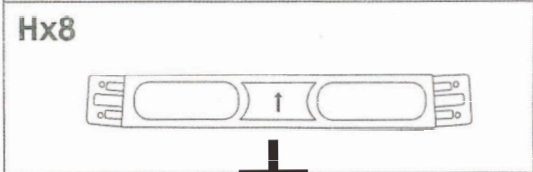
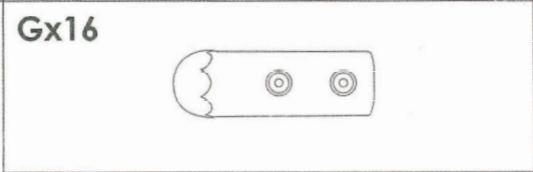
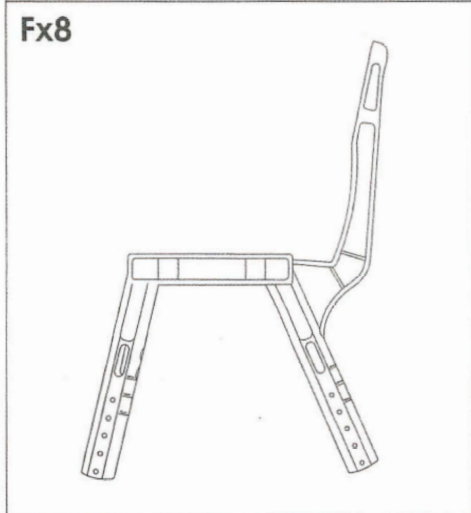
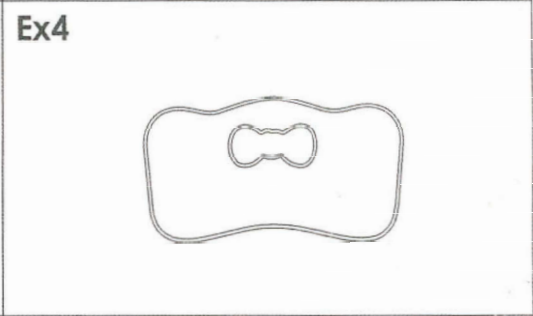
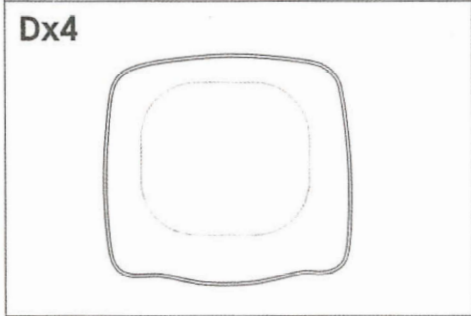
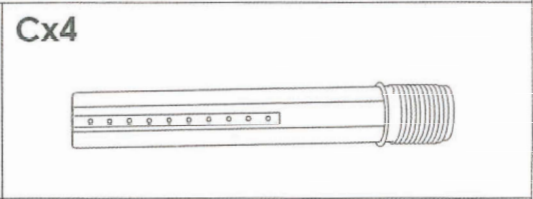
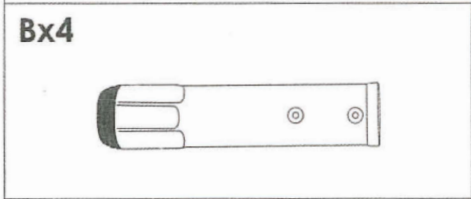
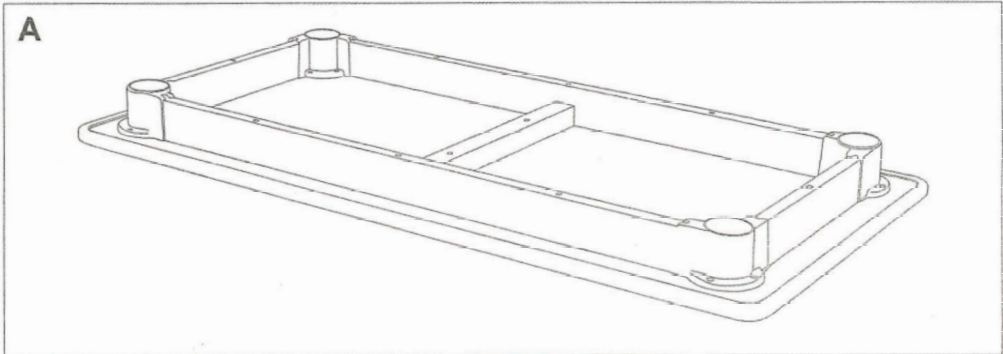


# Kids Table and Chairs Set



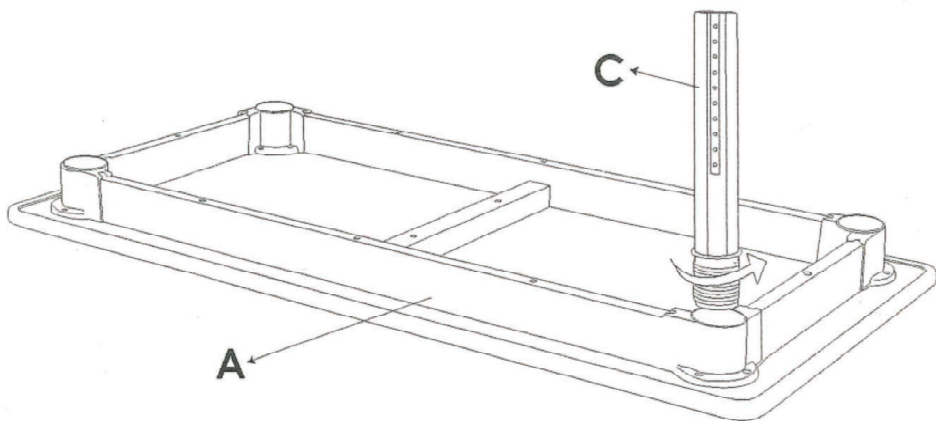
**USER MANUAL**

Package Include

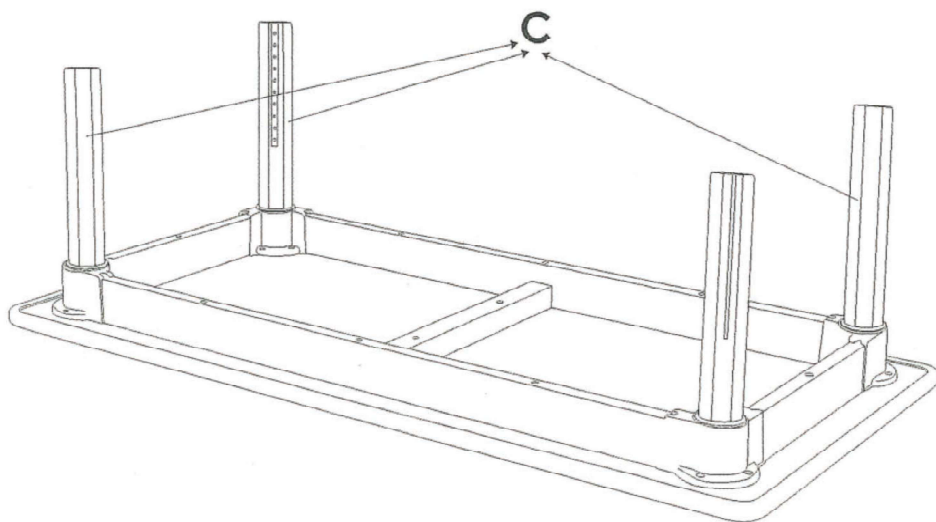


## Installation Steps

**STEP 1** Connect the four white legs to the desk.

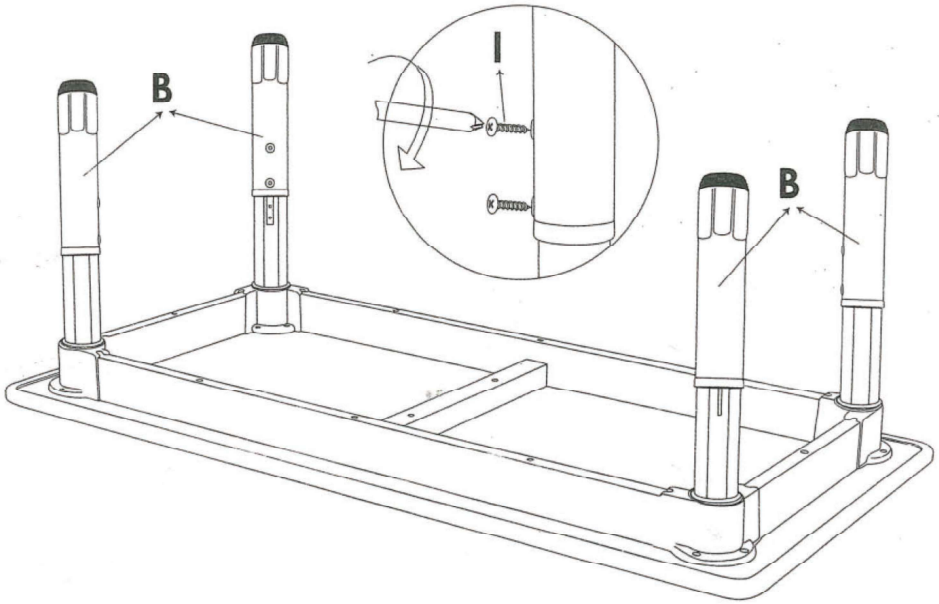


**STEP 2** Connect the four blue/pink legs to the white legs.



# Installation Steps

**STEP 3** Find the right height and fix the two leg parts with screws.

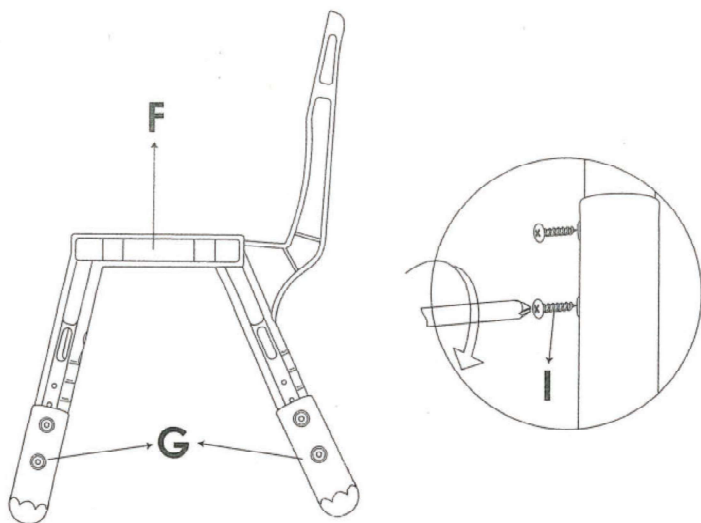


**STEP 4**

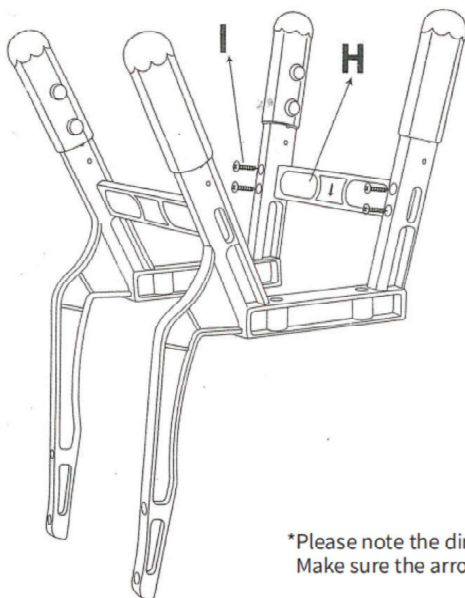


## Installation Steps

**STEP 5** Connect the chair frames to blue/pink chair legs.



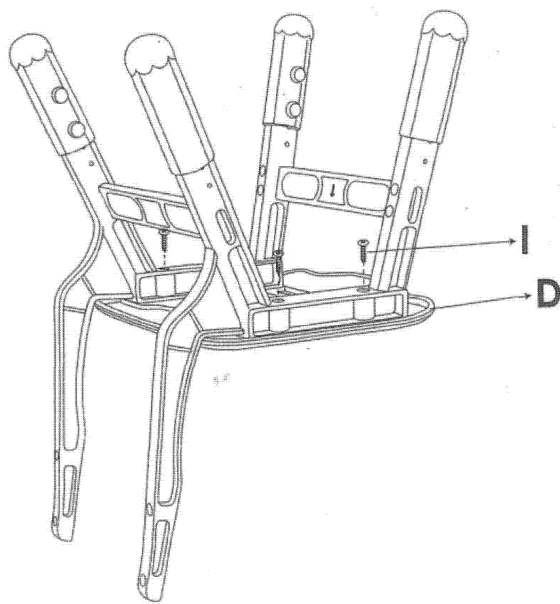
**STEP 6** Connect two chair frames with chair crossbars.



\*Please note the direction of the crossbar.  
Make sure the arrow on it is upward.

## Installation Steps

**STEP 7** Fix the seat plate and seat plate of the chair.



**STEP 8** Find the appropriate height and fix the screws.

