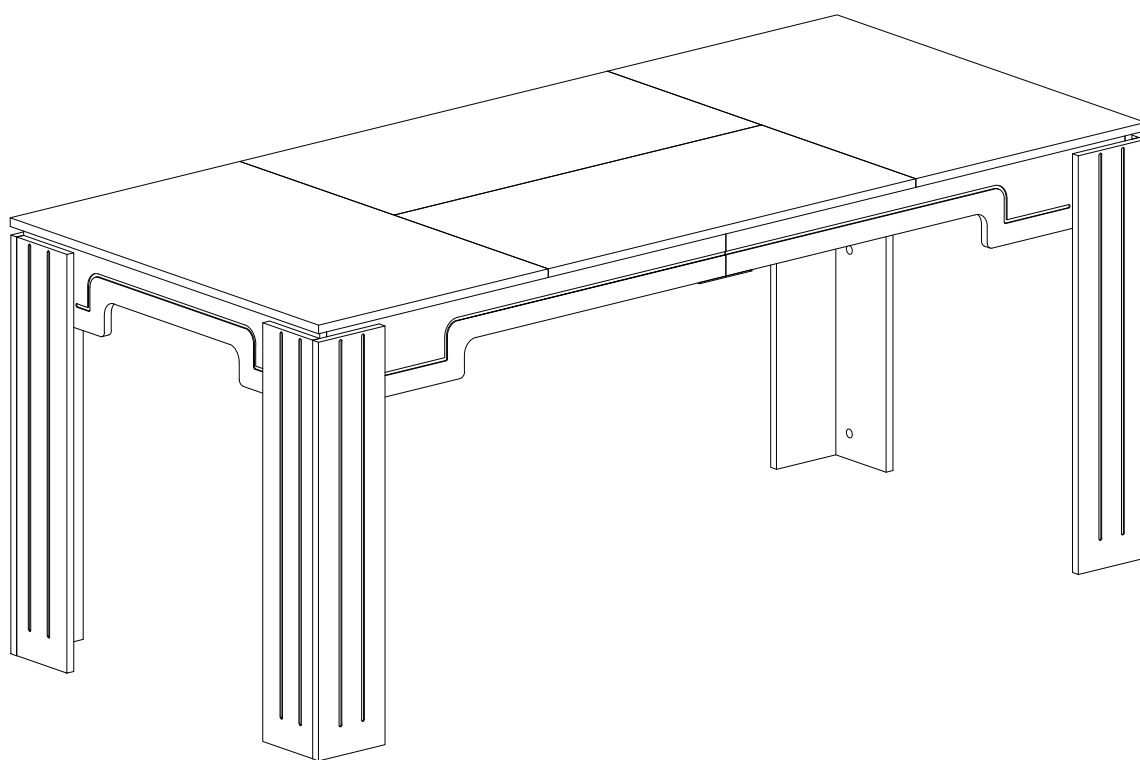
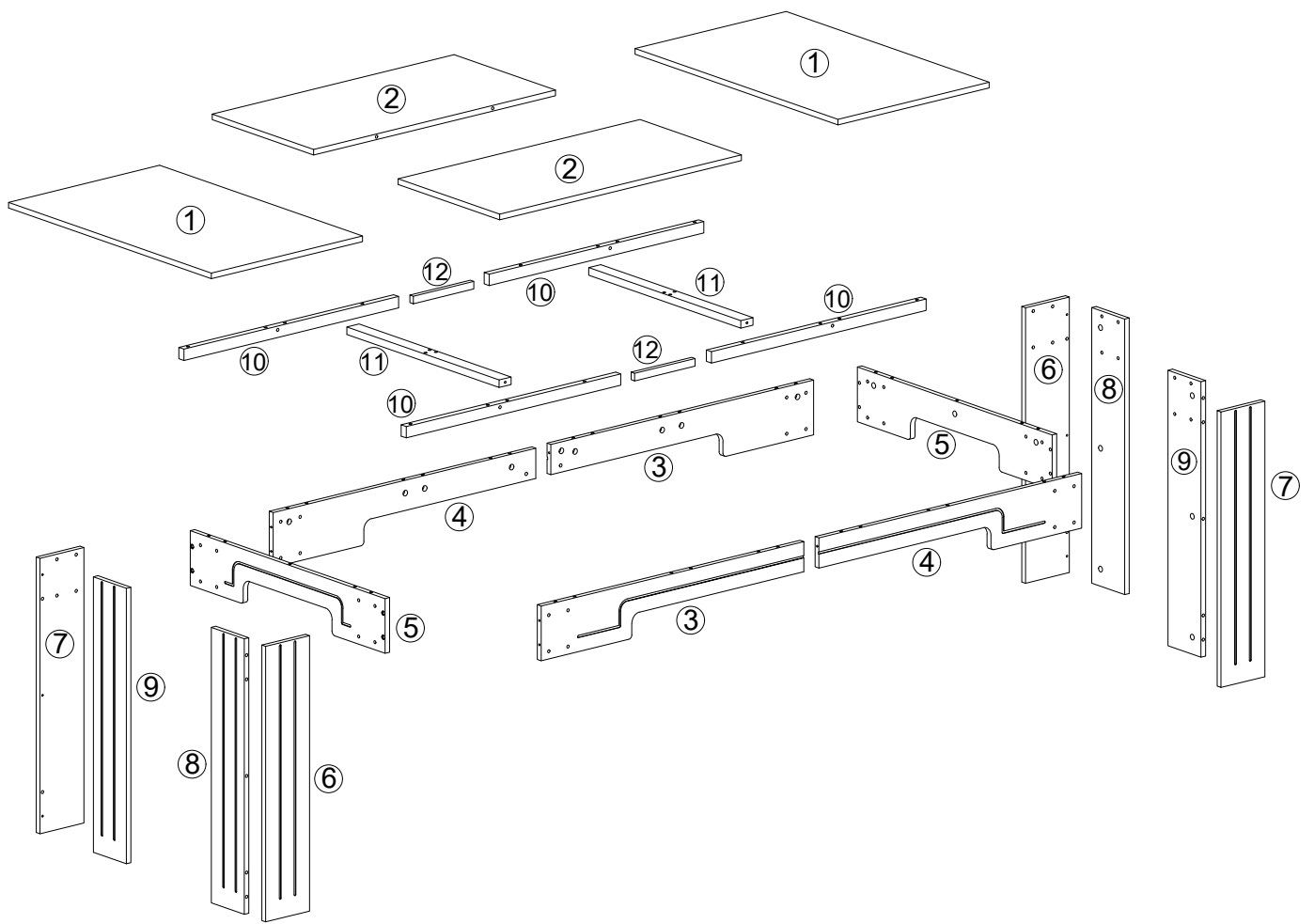
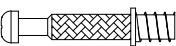
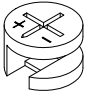



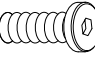
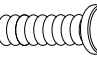
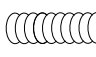
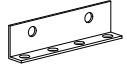


DT-508-16080/18080

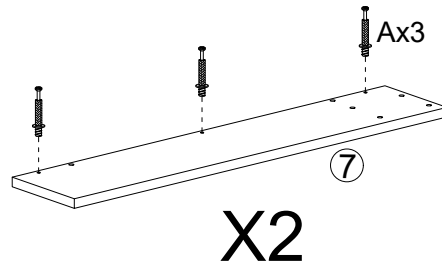
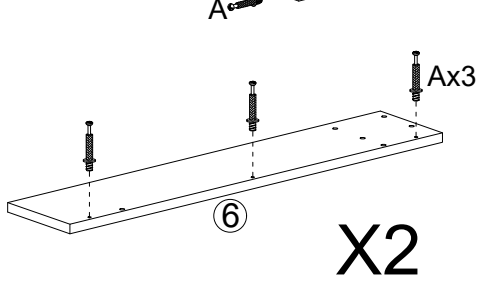
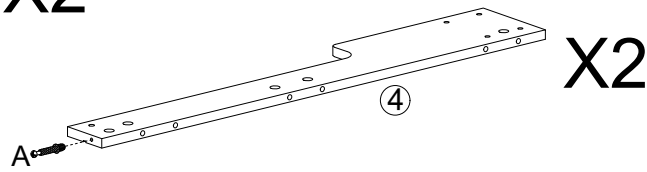
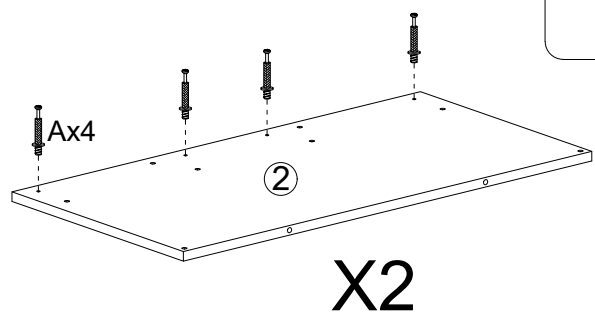
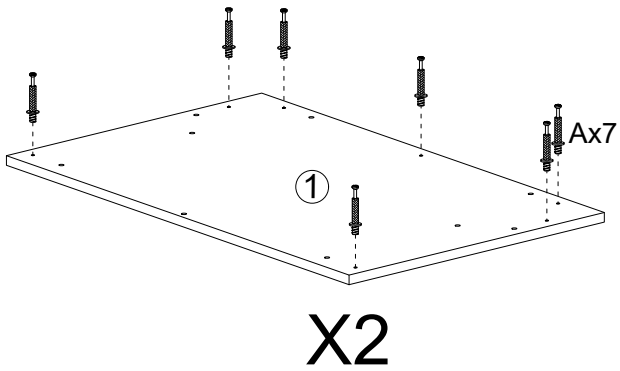
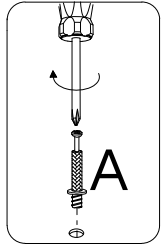




A	X36	B	X36	C	X22	D	X16	E	X1
									
Ø6X43mm		Ø15X12mm		Ø8X30mm		Ø7X37mm		M4X64mm	

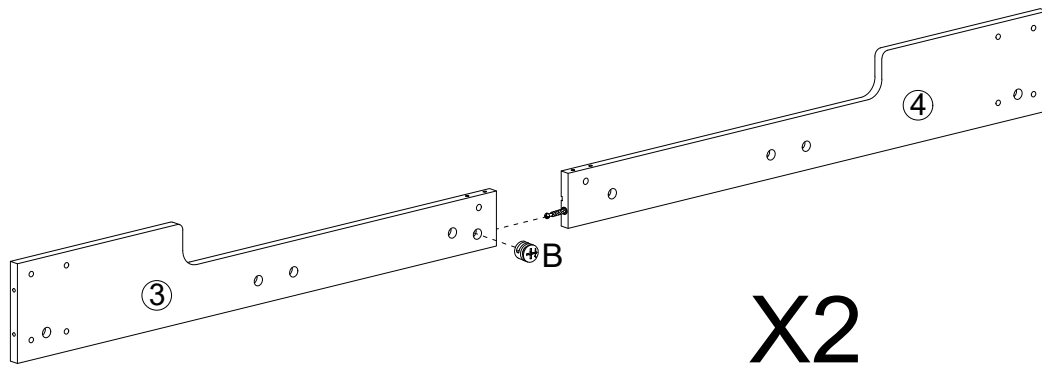
F	X12	G	X38	H	X20	I	X2
							
M6X12mm		M6X30mm		M6X40mm		114X30X17mm	

STEP 1



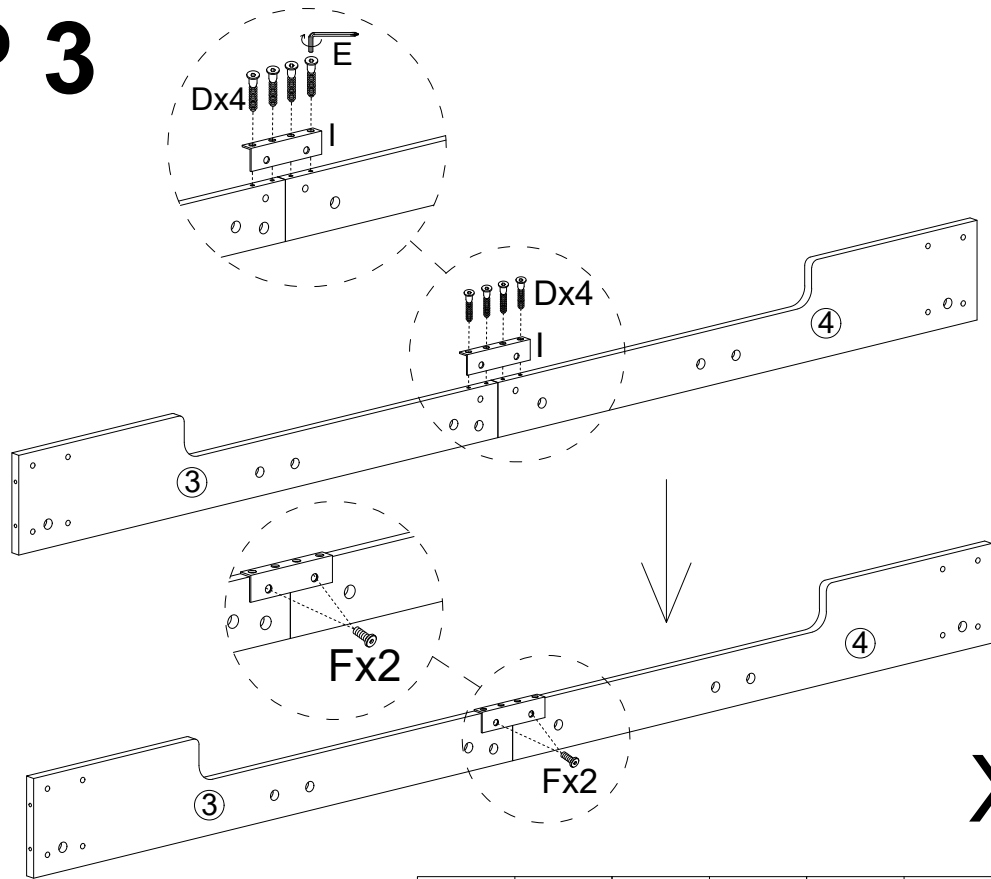
A	X36
Ø6X43mm	

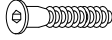


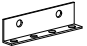
STEP 2



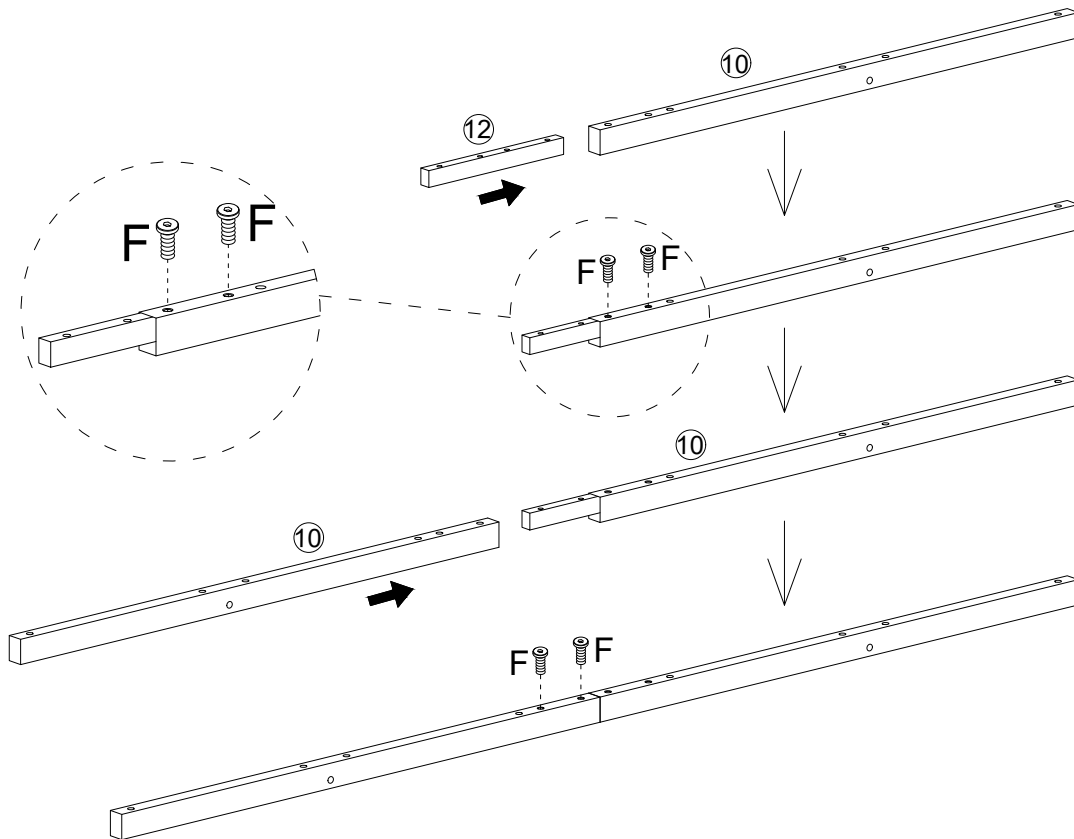
B	X2
Ø15X12mm	

STEP 3




D	X8	E	X1	F	X4	I	X2
							
Ø7X37mm		M4X64mm		M6X12mm		114X30X17mm	

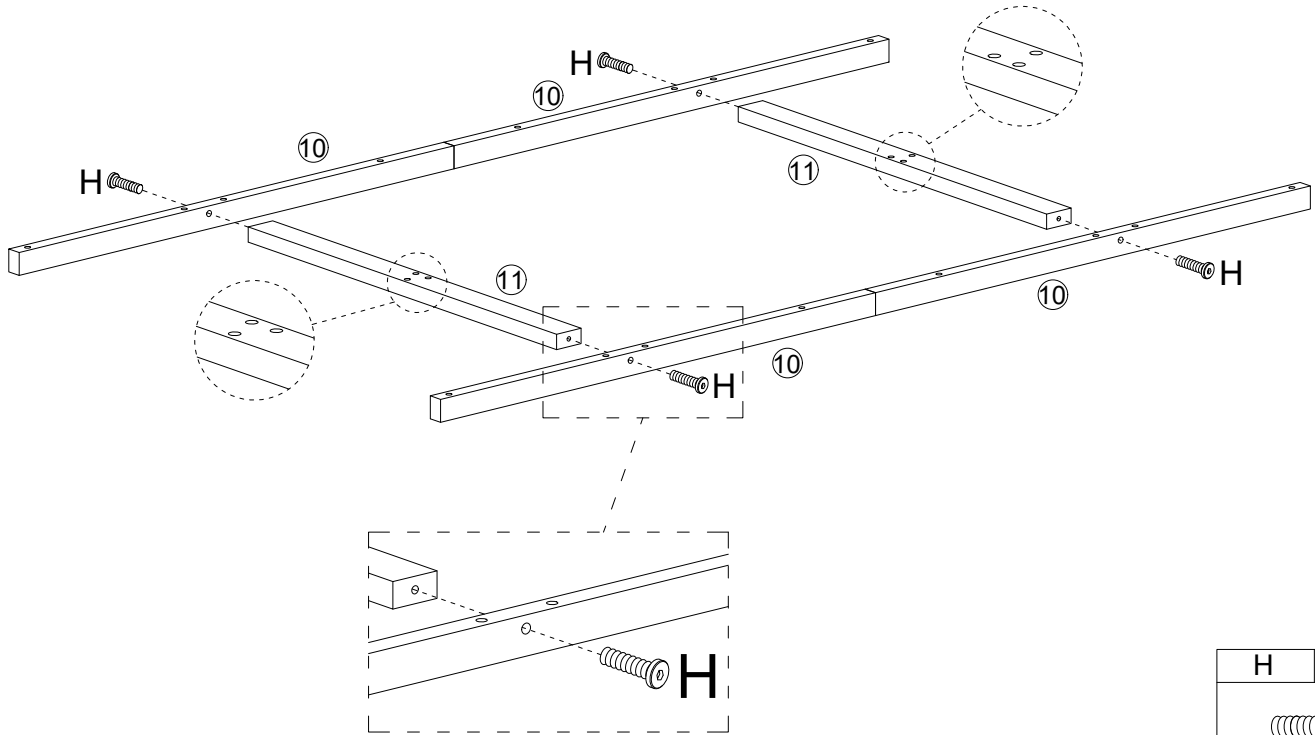
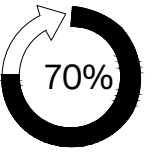
STEP 4

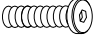


X2

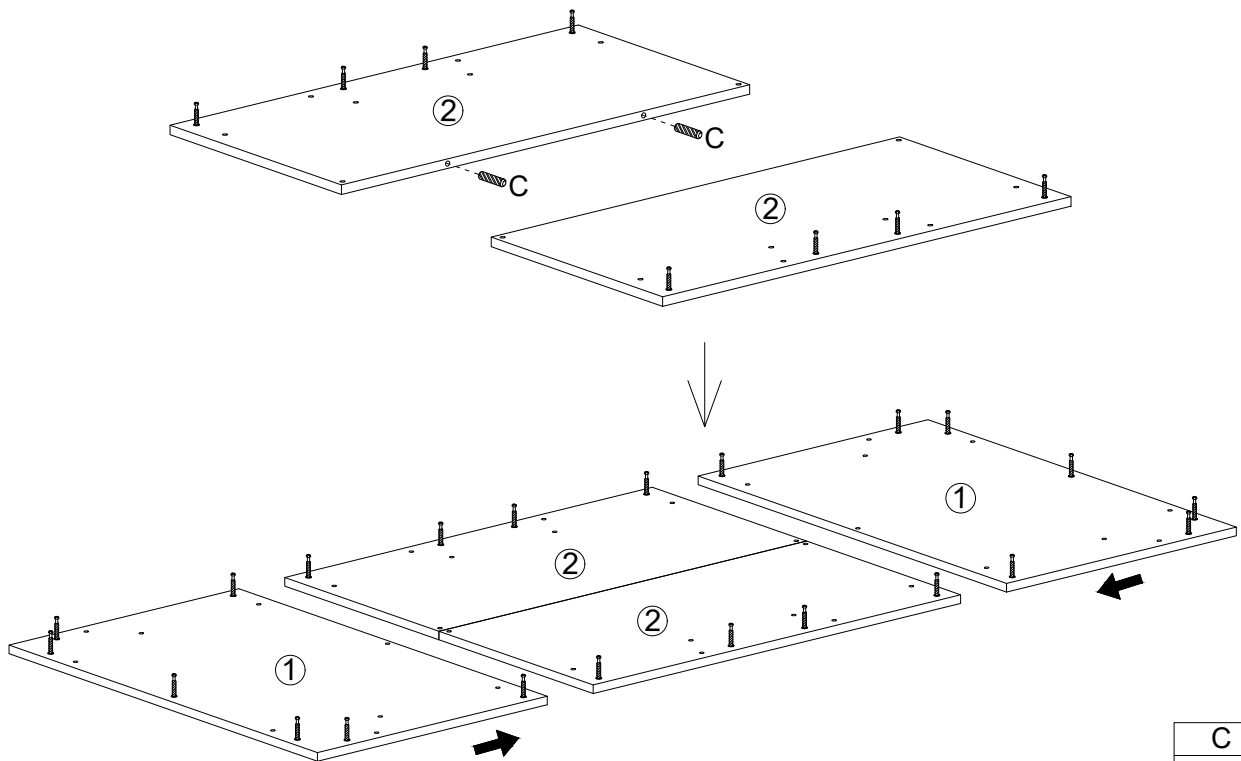
F	X8
	
M6X12mm	


STEP 5



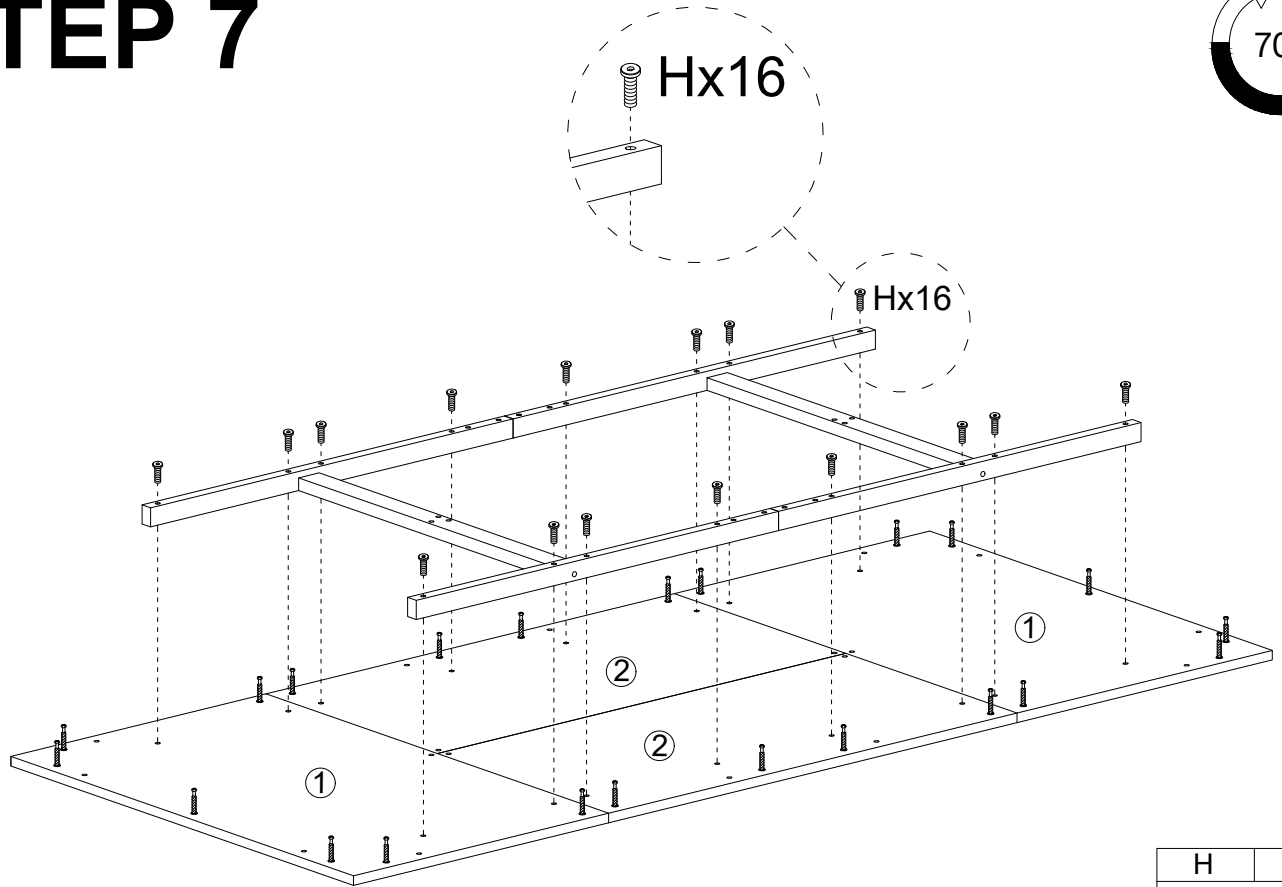
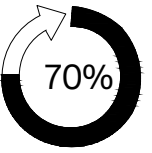
H	X4
	
M6X40mm	

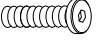
STEP 6



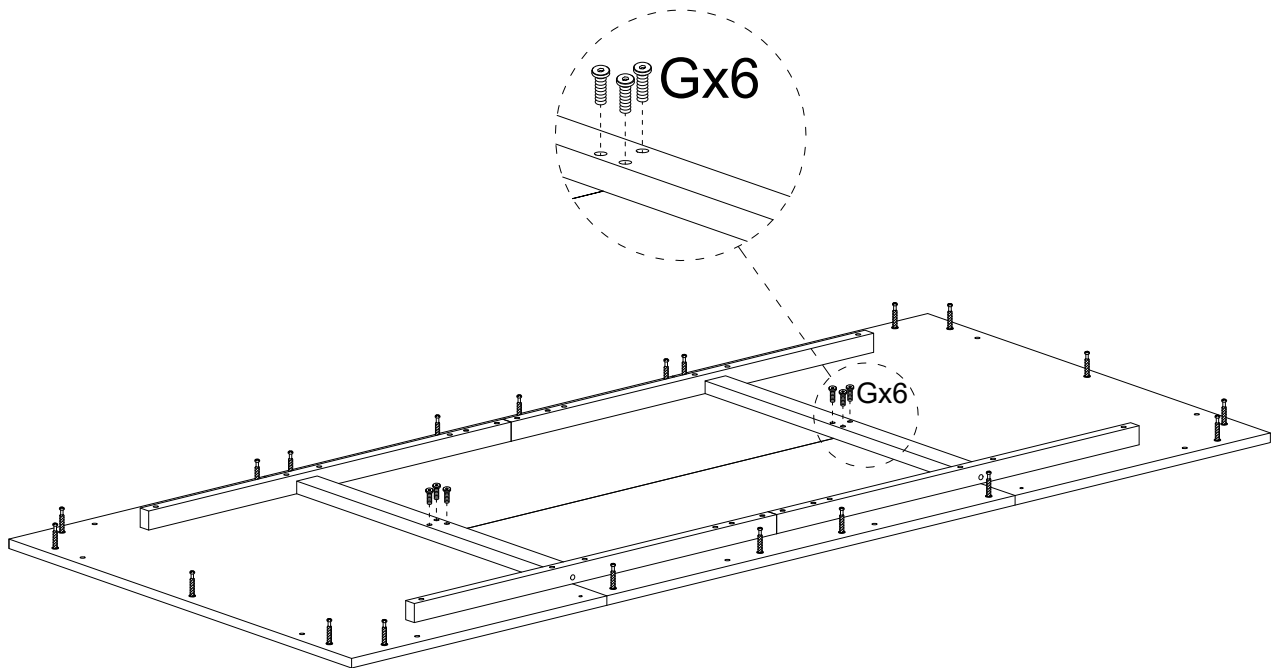
C	X2
	
Ø8X30mm	


STEP 7



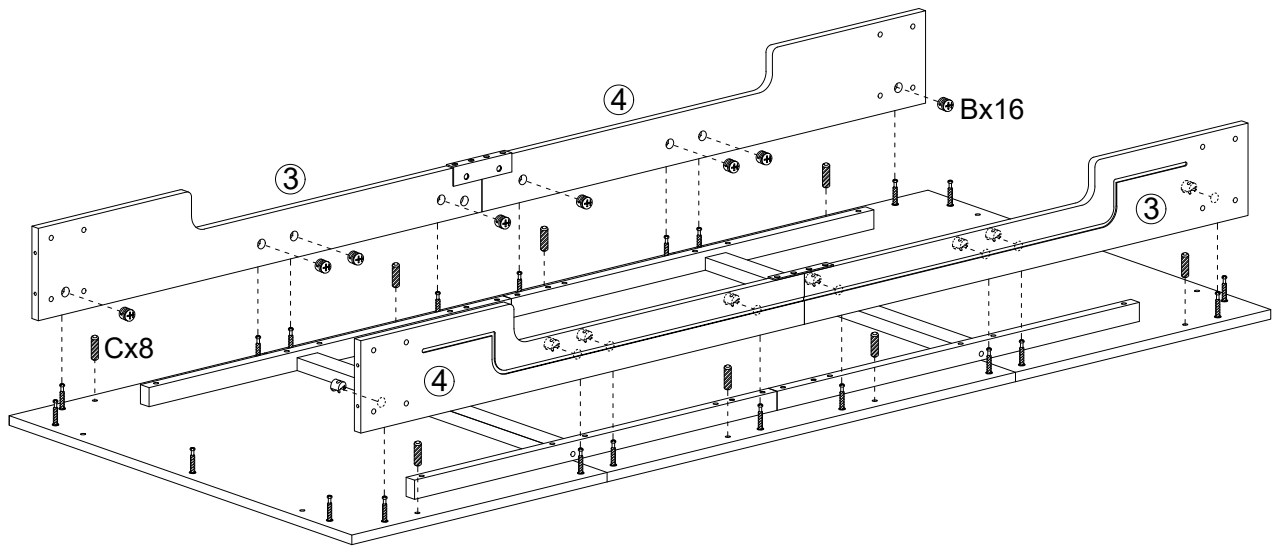
H	X16
	
M6X40mm	


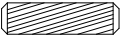
STEP 8



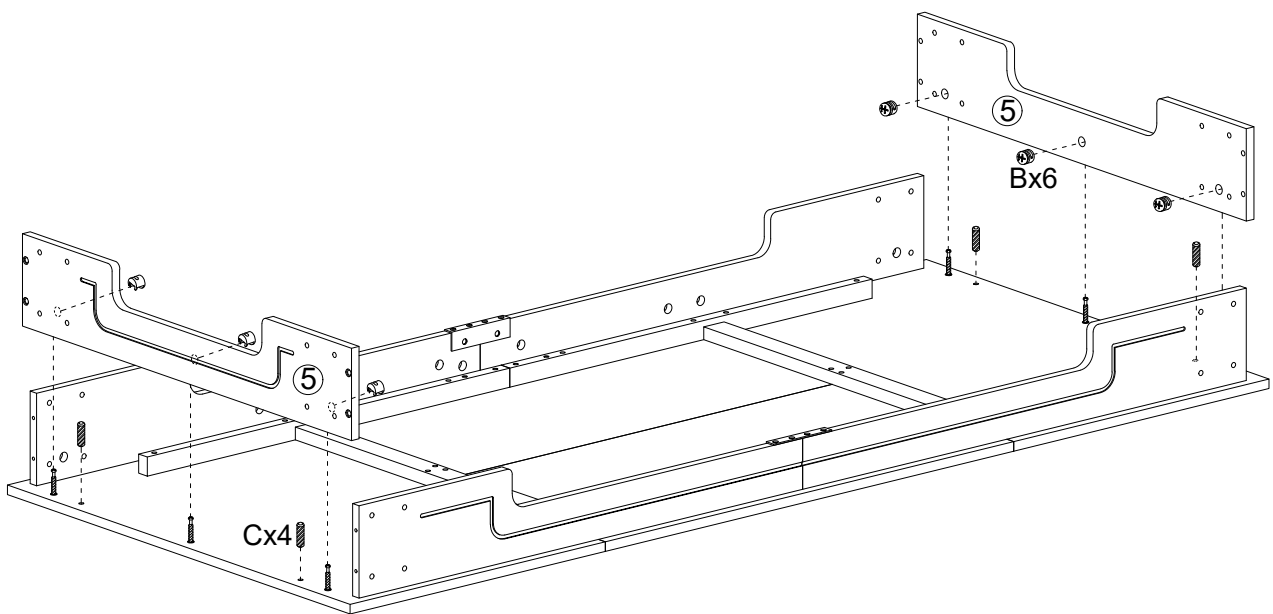
G	X6
	
M6X30mm	



STEP 9



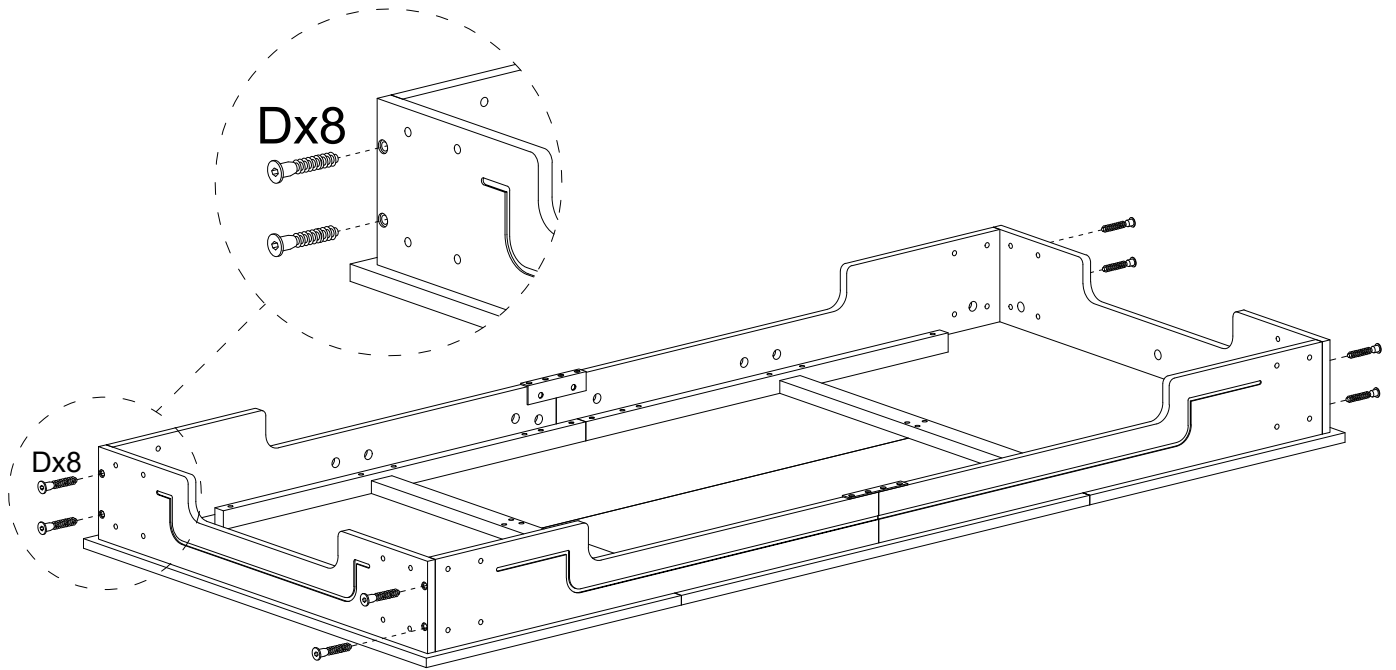
B	X16	C	X8
			
Ø15X12mm		Ø8X30mm	

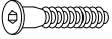
STEP 10



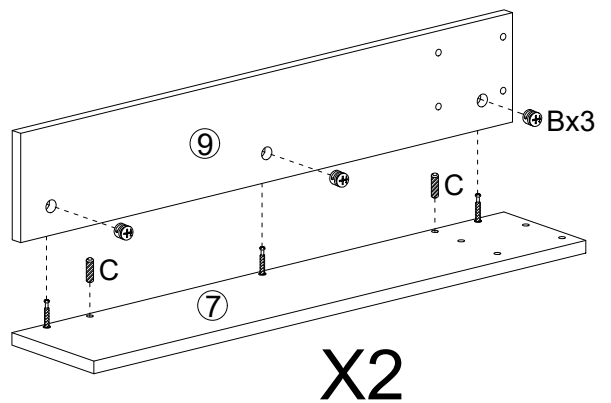
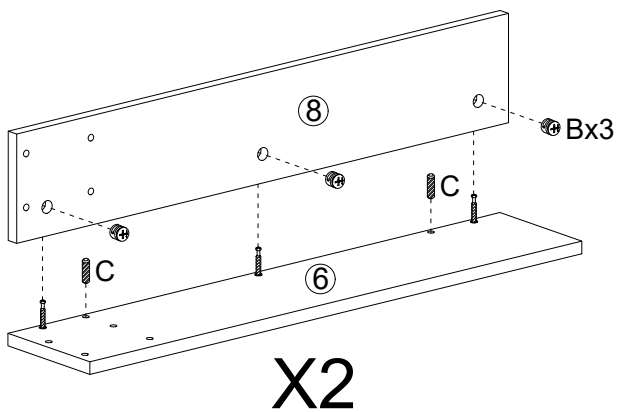
B	X6	C	X4
			
Ø15X12mm		Ø8X30mm	



STEP 11



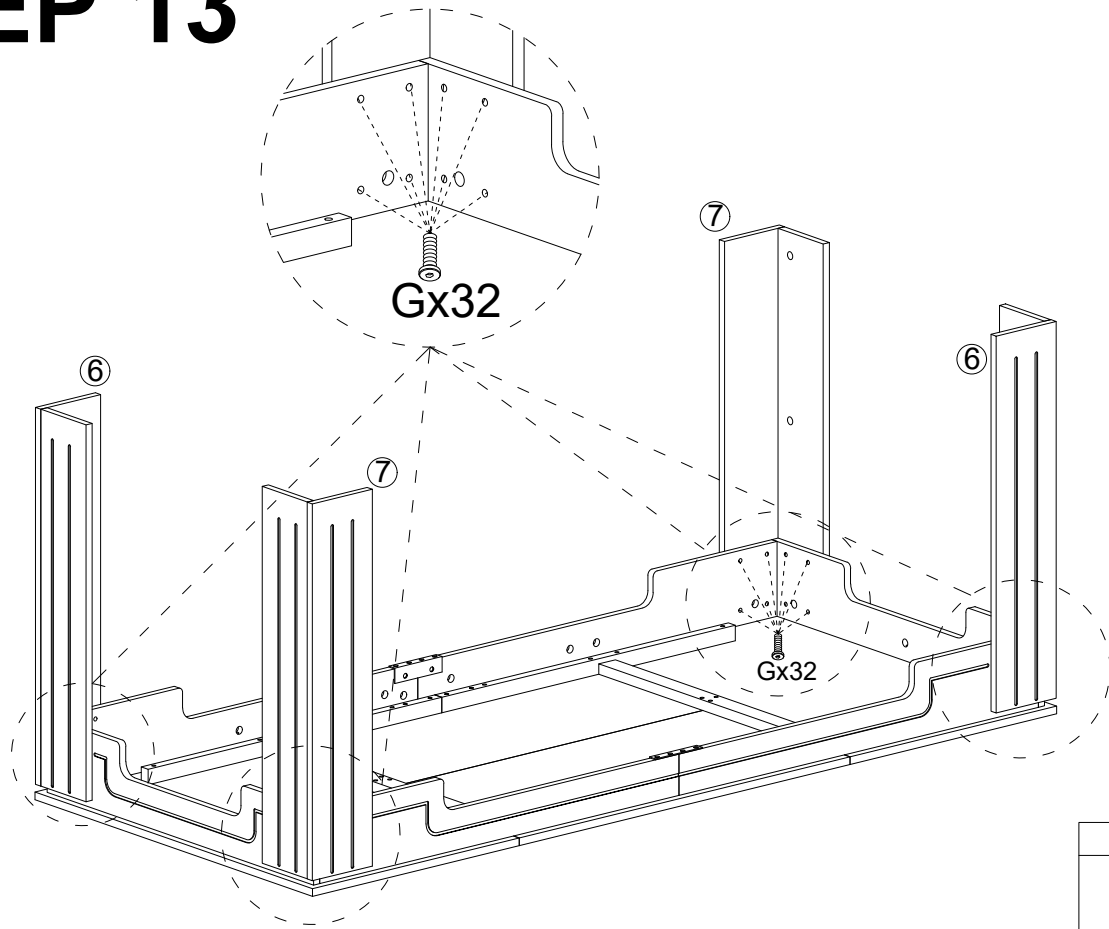
D	X8
	
$\text{Ø}7 \times 37 \text{mm}$	


STEP 12



B	X12	C	X8
			
$\text{Ø}15 \times 12 \text{mm}$		$\text{Ø}8 \times 30 \text{mm}$	

STEP 13



G	X32
	
M6X30mm	

STEP 14

