

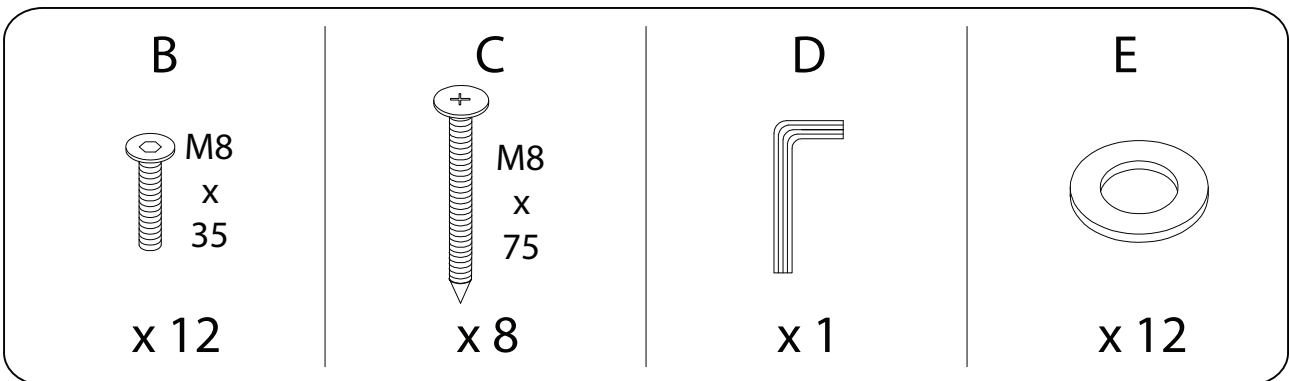
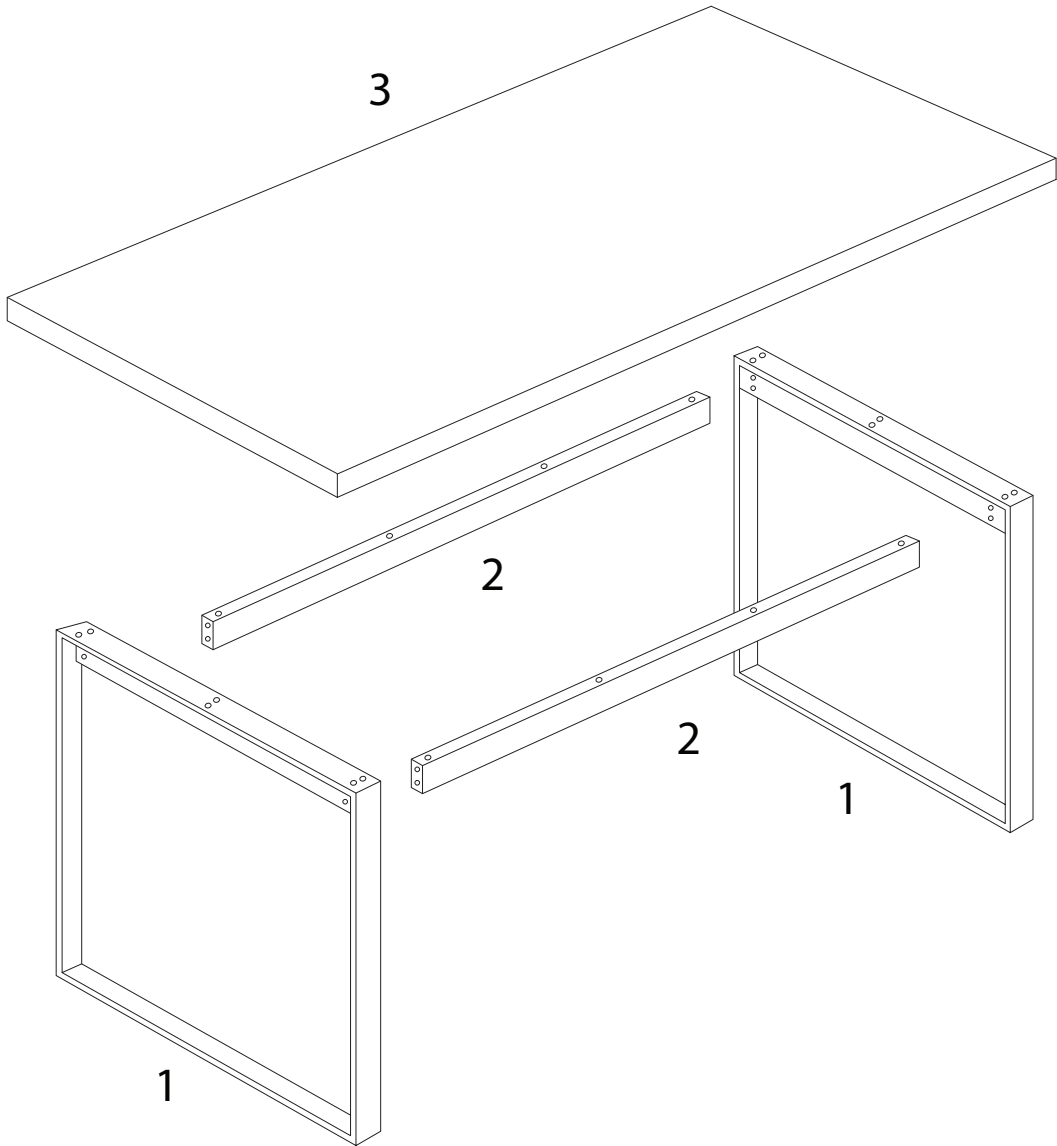
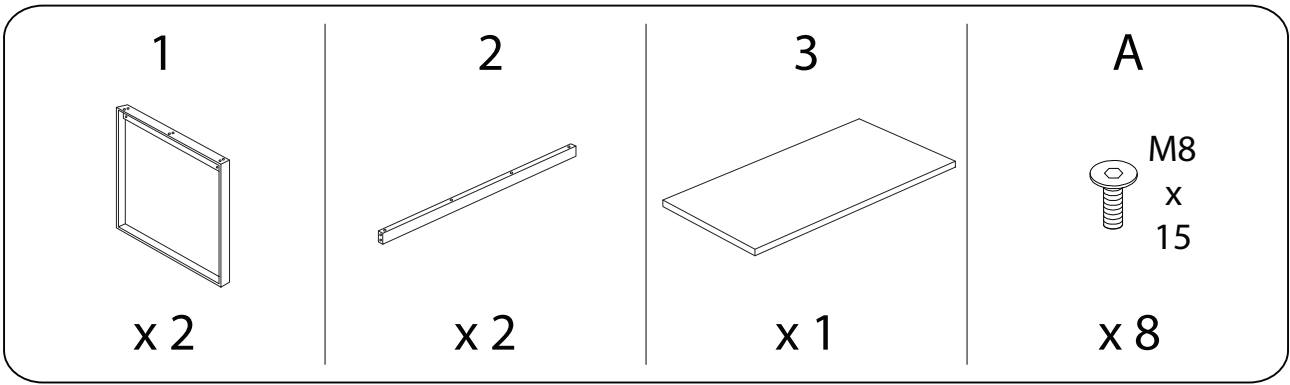
Assembly instructions for the table, including tool requirements, time, and personnel.

Tools: A circular icon contains a screwdriver and an Allen key. A power drill is shown with a diagonal line through it, indicating it is not required.

Time: A clock icon is positioned above the text "30'", indicating the estimated assembly time.

Personnel: A stick figure icon is positioned above the number "2", indicating that two people are required for assembly.

Warnings: Two warning triangles (exclamation marks) are present. The first is connected to the tool icons, and the second is connected to the personnel icon, indicating safety precautions.



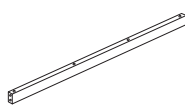
1

1



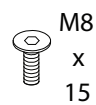
x 2

2



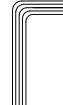
x 2

A

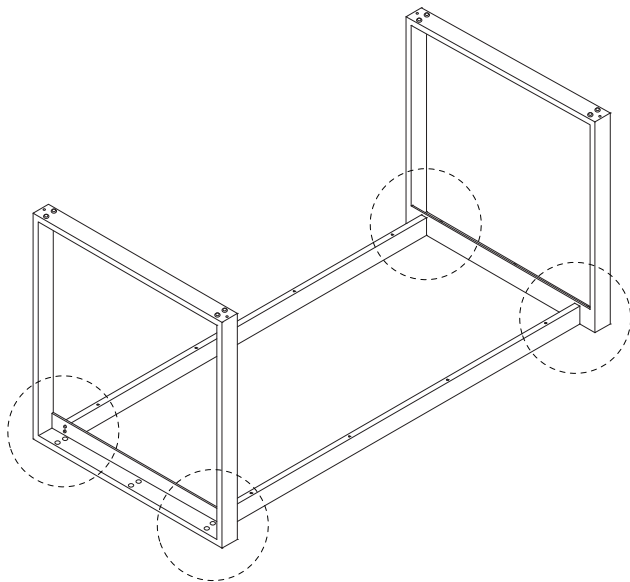


x 8

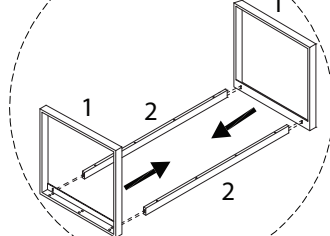
D



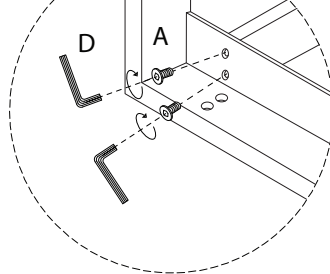
x 1



1a

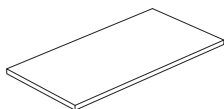


1b



2

3



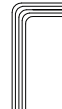
x 1

B



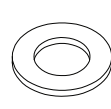
x 12

D

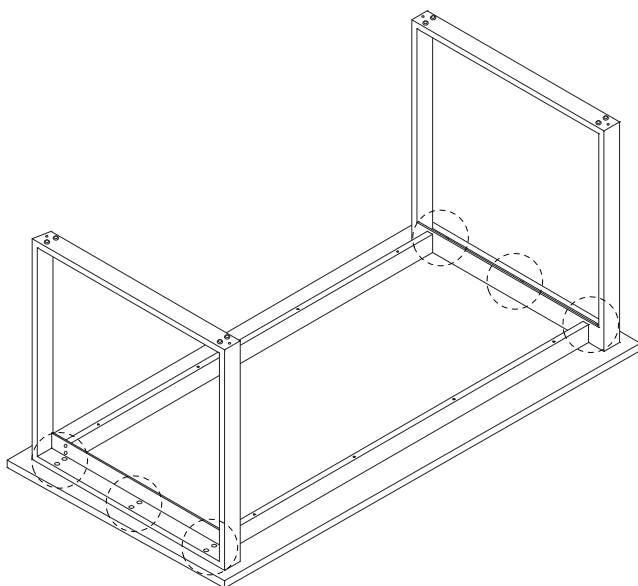


x 1

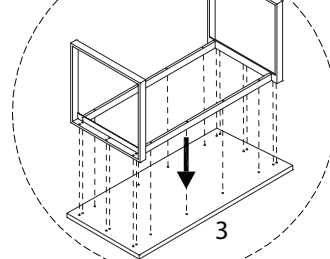
E



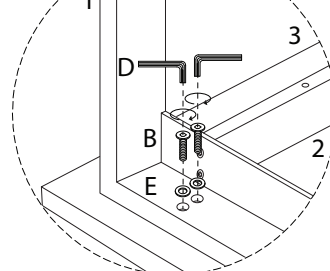
x 12



1a



1b



3

C
M8
x
75
x 8

