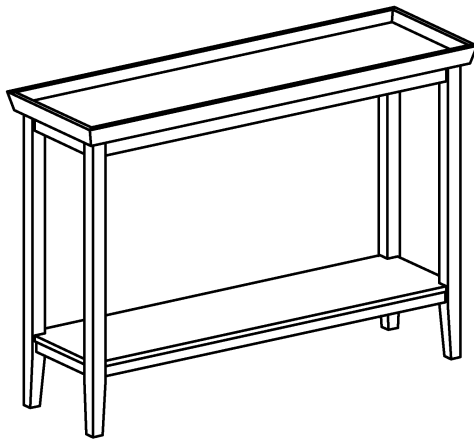


CONSOLE TABLE

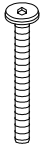
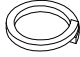
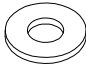
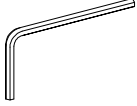


Assembly Instruction

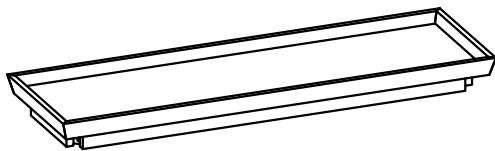
We have designed our furniture with you, the customer in mind. Our clear, easy to follow step by step instructions will guide you through the project from start to finish. Feel confident that this will be a fun and rewarding project. The final product will be a quality piece of furniture that will go together smoothly and give years of enjoyment.

Please verify all parts are present before beginning assembly

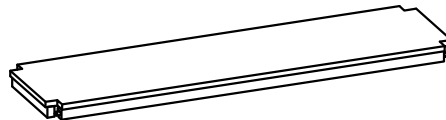
Hardware List

 <p>A</p>	 <p>B</p>	 <p>C</p>	 <p>D</p>
Allen Bolt (12 pcs)	Spring Washer (12 pcs)	Flat Washer (12 pcs)	Allen wrench (1 pc)

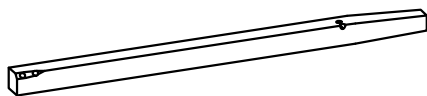
Parts List



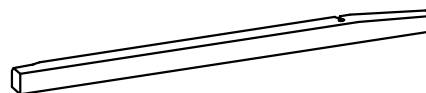
(1) - Table Top (1pc)



(2) - Shelf (1pc)



(3) - Right Leg (2pcs)

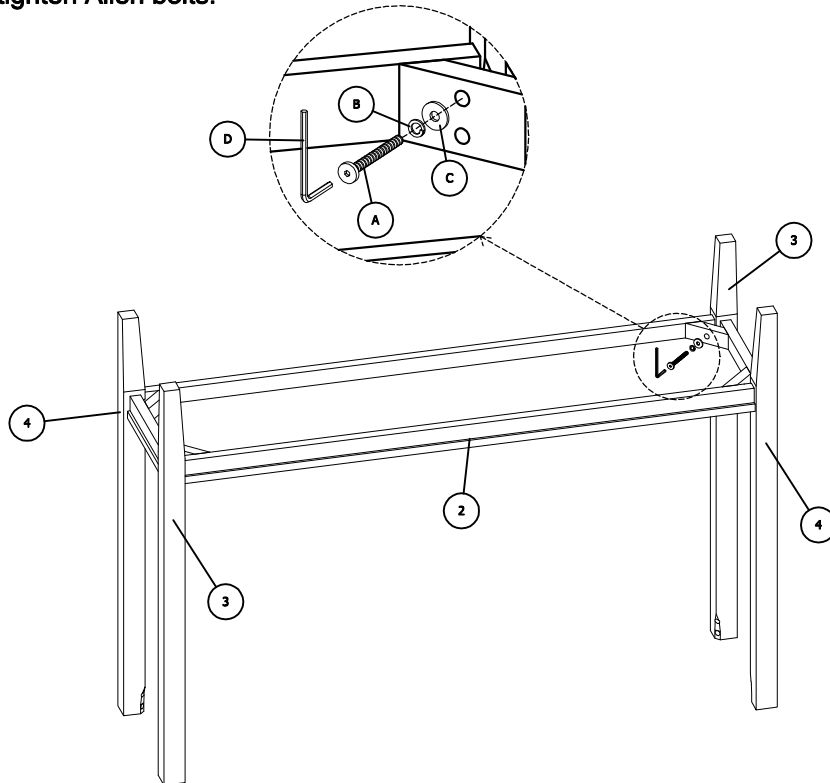


(4) - Left Leg (2pcs)

Assemble unit on carpet or other soft surface

Step 1

1. Attach Right (3) and Left (4) legs to Shelf (2) using Allen bolt (A), Spring Washer (B), Flat Washer (C), and Allen Wrench (D), as shown.
2. Do not fully tighten Allen bolts.



Step 2

1. Attach assembly to Table Top (1) using Allen bolt (A), Spring Washer (B), Flat Washer (C), and Allen Wrench (D), as shown. Do not tighten bolts until all have been started.
2. Fully Tighten all bolts.
3. Turn over and enjoy.

