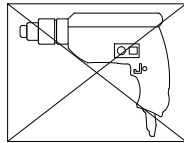


## Assembly Instructions

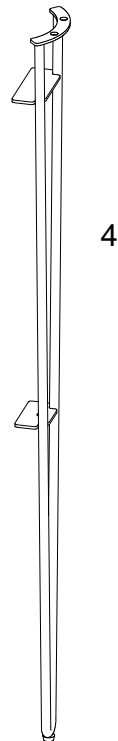
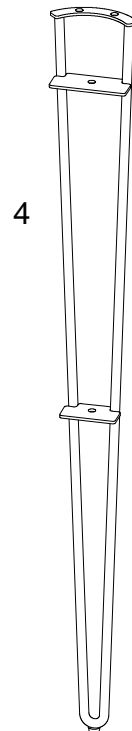
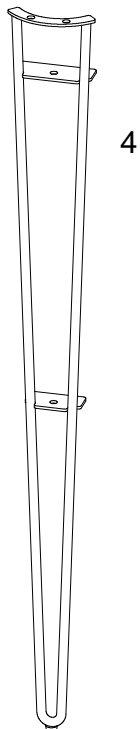
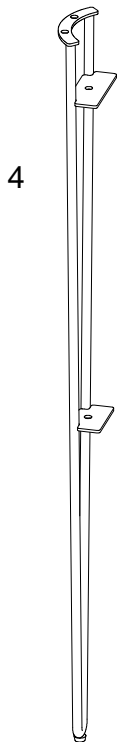
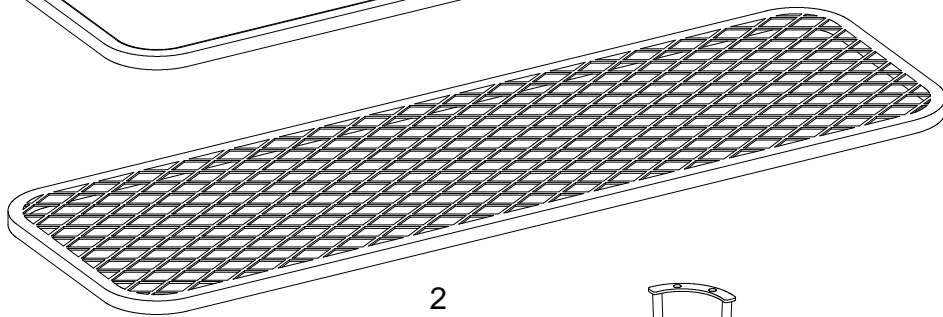
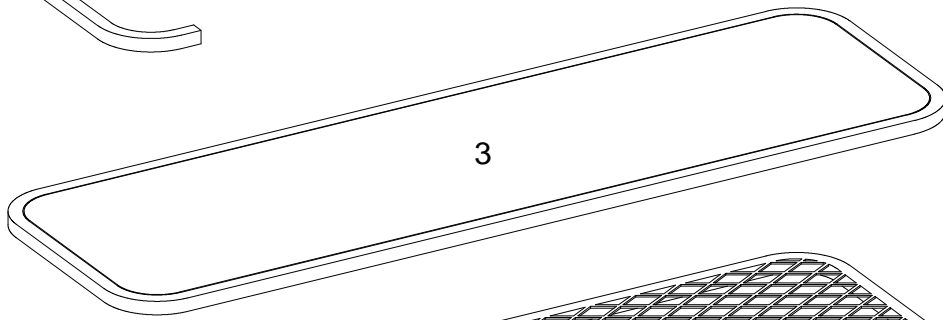
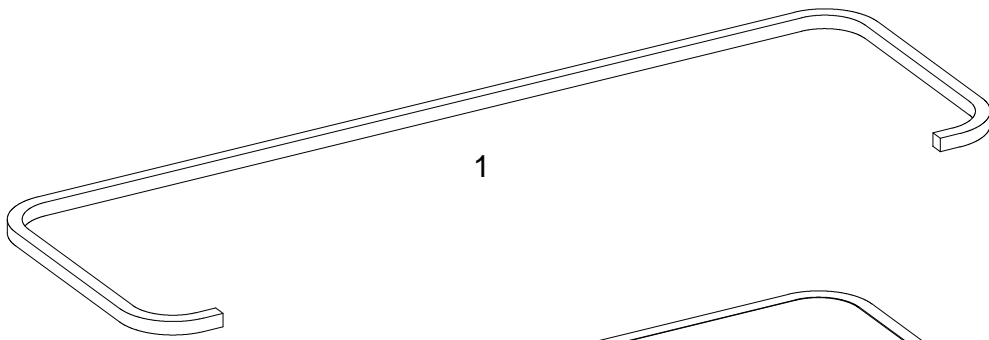


# General Assembly Guidelines

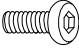

- I. Ensure that all parts and hardware are available before beginning assembly.
- II. Follow each step carefully to ensure the proper assembly of this product.
- III. Two people are recommended for ease in the assembly of this product.
- IV. The main type of hardware used to assemble this product is:bolts.
- V. Power tools should not be used to assemble this product.



# Parts List

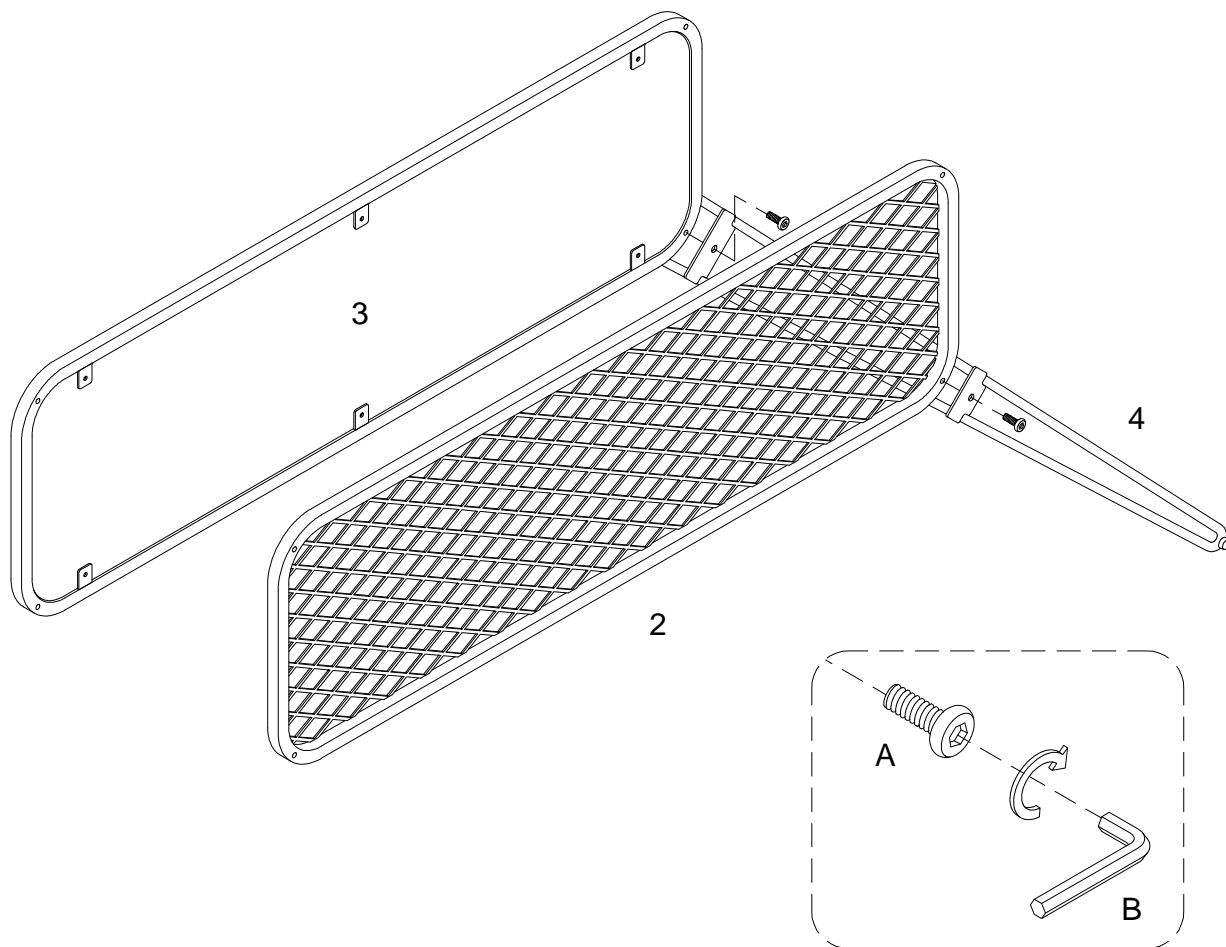


# Hardware List

A		Ø6x12mm	Bolt	16 pcs
B		M 4	Hex Key	1 pcs

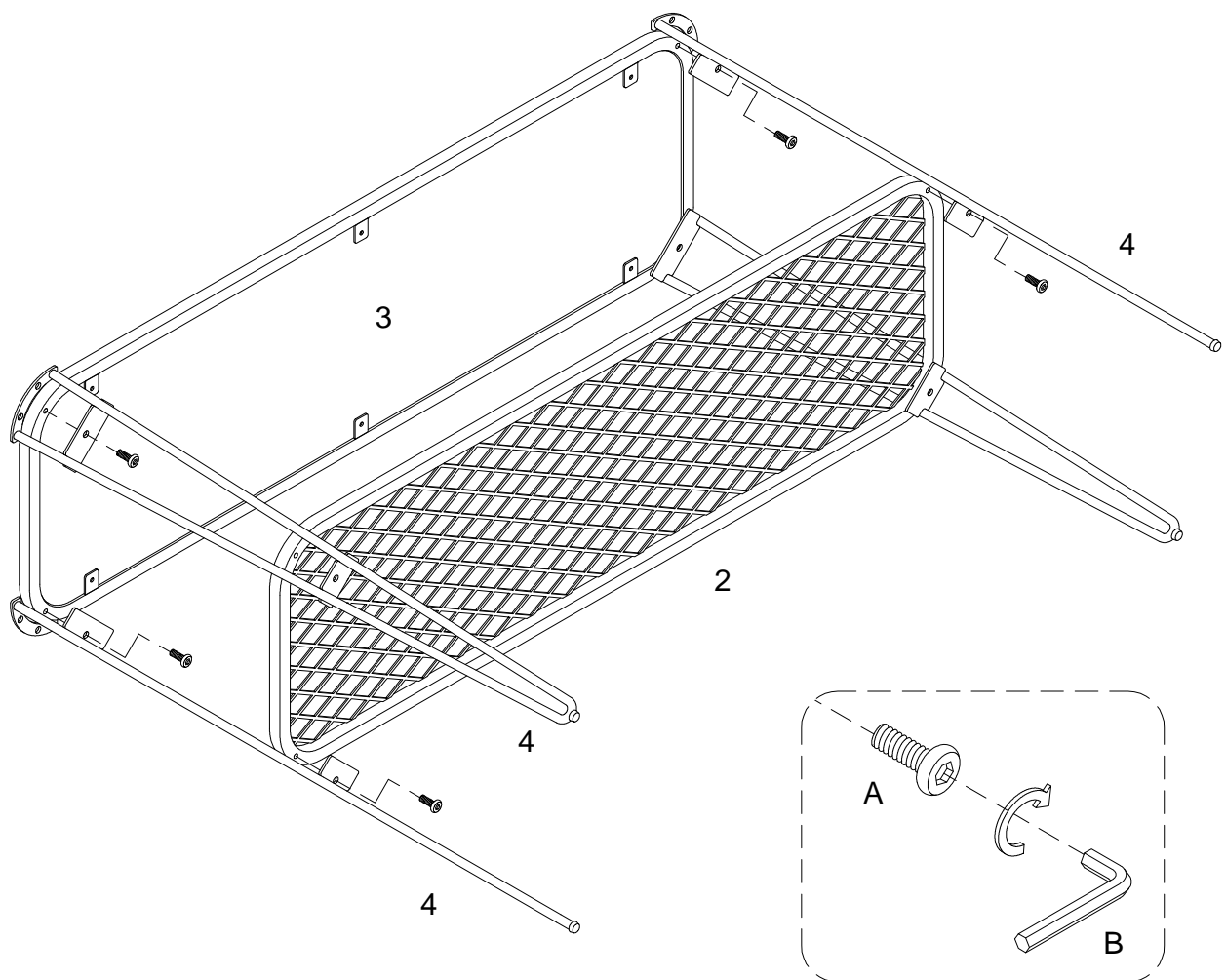
*The hardware quantities listed above are required for proper assembly.  
Some extra hardware may also have been included.*

# Step 1



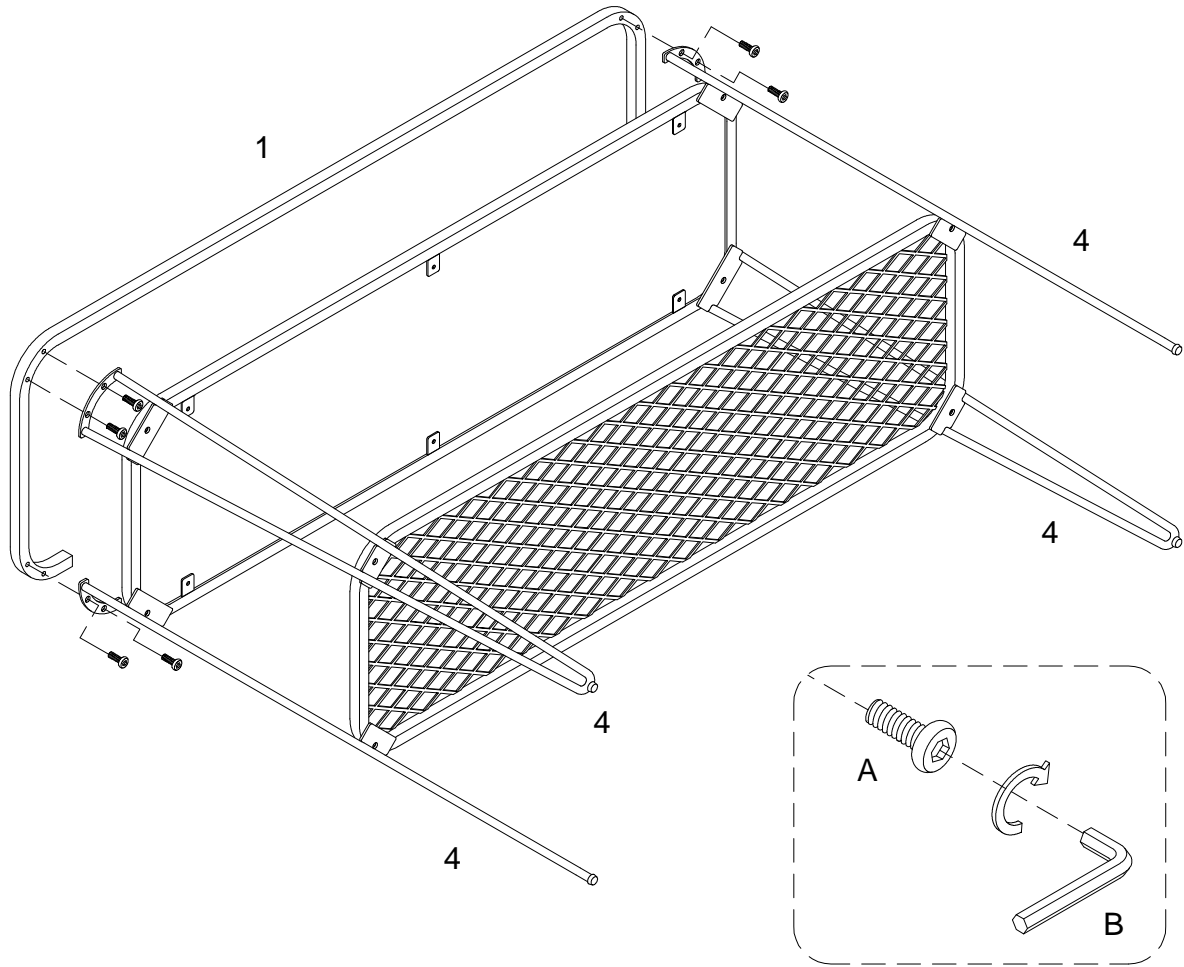
Attach part (4) to part (2, 3) using bolt (A) with hex key (B).

## Step 2



Attach the rest of part (4) to part (2, 3) using bolt (A) with hex key (B).

# Step 3



Attach part (1) to part (4) using bolt (A) with hex key (B).

Step 4



Final Assembly