



15 : 00

---

estimated assembly



2 or more

---

people required

Ok, let's  
get started!



- Put on mood music!
- To prevent damage to product, use the clean side of package carton or rug as working surface.
- In the event of missing or damaged parts, delivery problems etc., please reach out to our team. We will be happy to fix the problem!

# care guide

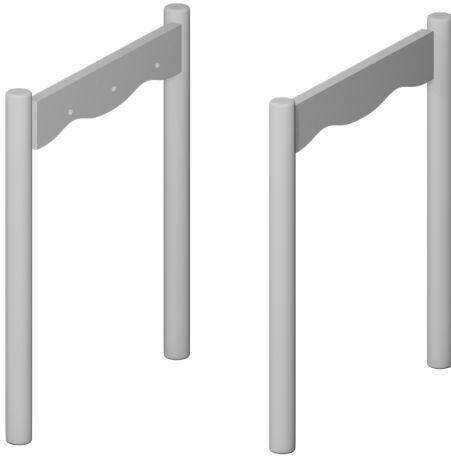
- Clean regularly with a soft and dry cloth.
- To protect finish, avoid use of abrasive cleaners.
- Wipe up spills immediately. Please!



# product parts



(A)  
Table Top  
x1



(B)  
Table legs  
x2

# what's included



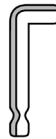
(C)- L key Bolt  
(8X30 MM)  
x6



(D)- Plain Washer  
(8X16MM)  
x6



(E)- Lock Washer  
(8X16MM)  
x6



(F)- Allen Key  
(5mm)  
x1

YS

Yellow sticker

GS

Green sticker

## assembly instructions

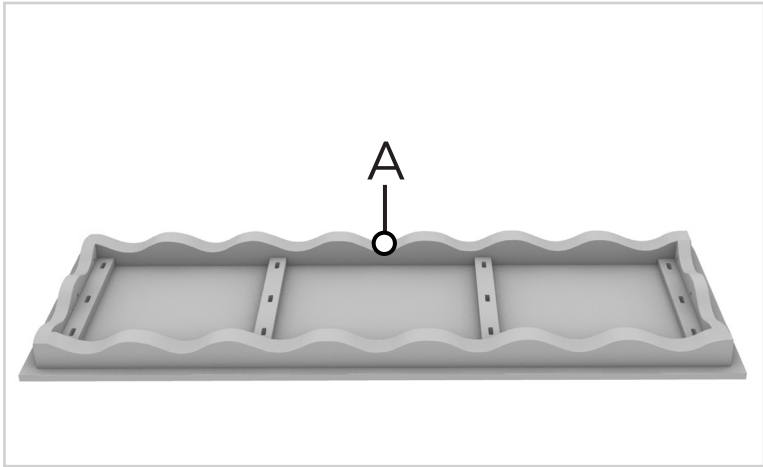
Friendly Tip: Take a deep breath going in. This may be a tricky part, but nothing too overwhelming. Just follow these steps to the T and the outcome will be worth it!



- ⓘ While assembling the product, tighten the bolts up to 50%. Once all parts are in place, only then fully tighten the bolts.

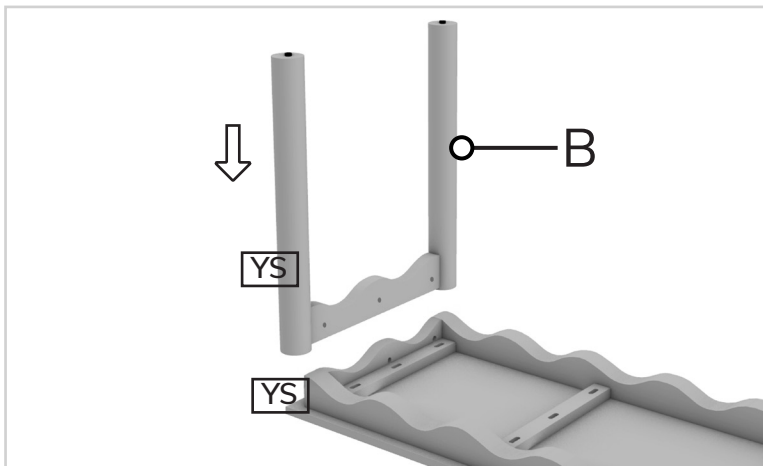
step 1:

Start by placing the tabletop (A) upside down on a padded, non-marring flat surface.



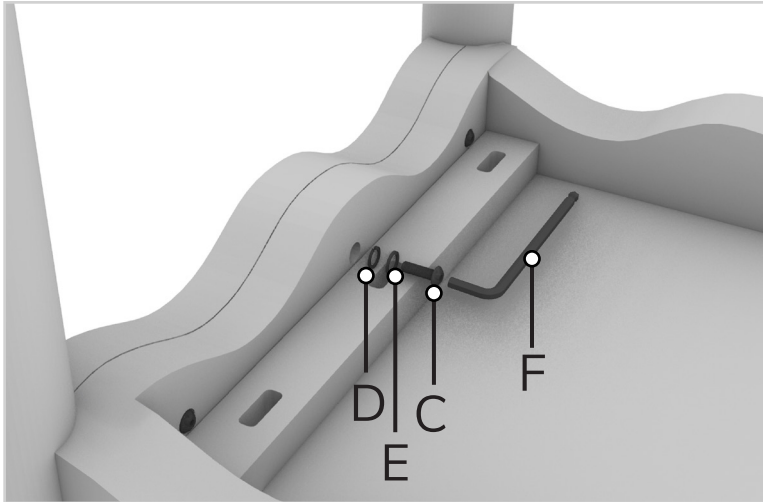
step 2:

Place the leg (B) beside the frame on (A) and align the pre-drilled holes in the tabletop (A) with the holes on the leg (B). Ensure that the stickers on legs align with the stickers on the tabletop.



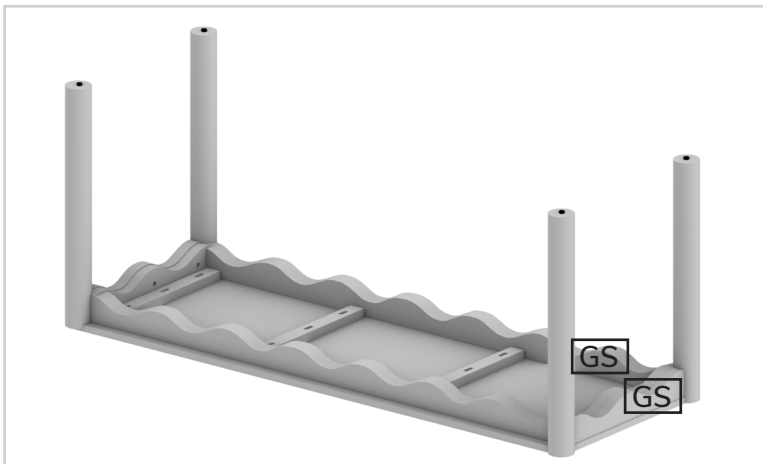
### step 3:

Now, fix the legs to the tabletop by inserting the plain washer (D), washer washer (E) and bolts (C) in the given slots. Tighten the bolts using allen key (F).



### step 4:

Repeat steps 2 & 3 with the remaining leg (B). Ensure that the stickers on the legs match to those on the tabletop.



step 5:

Turn it into an upright position and if required adjust the levellers according to the floor as shown in the image.



---

**Voila! Your bench is now assembled and secure!**

you've  
got  
a home  
with us

