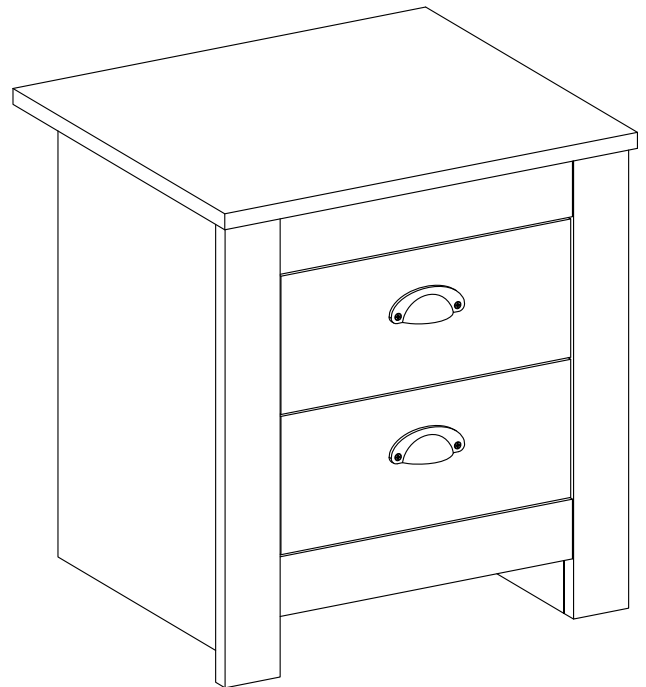
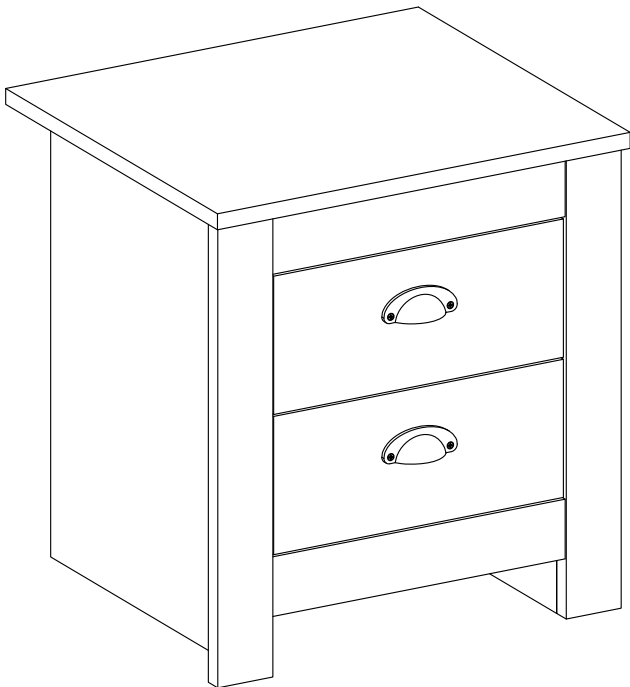


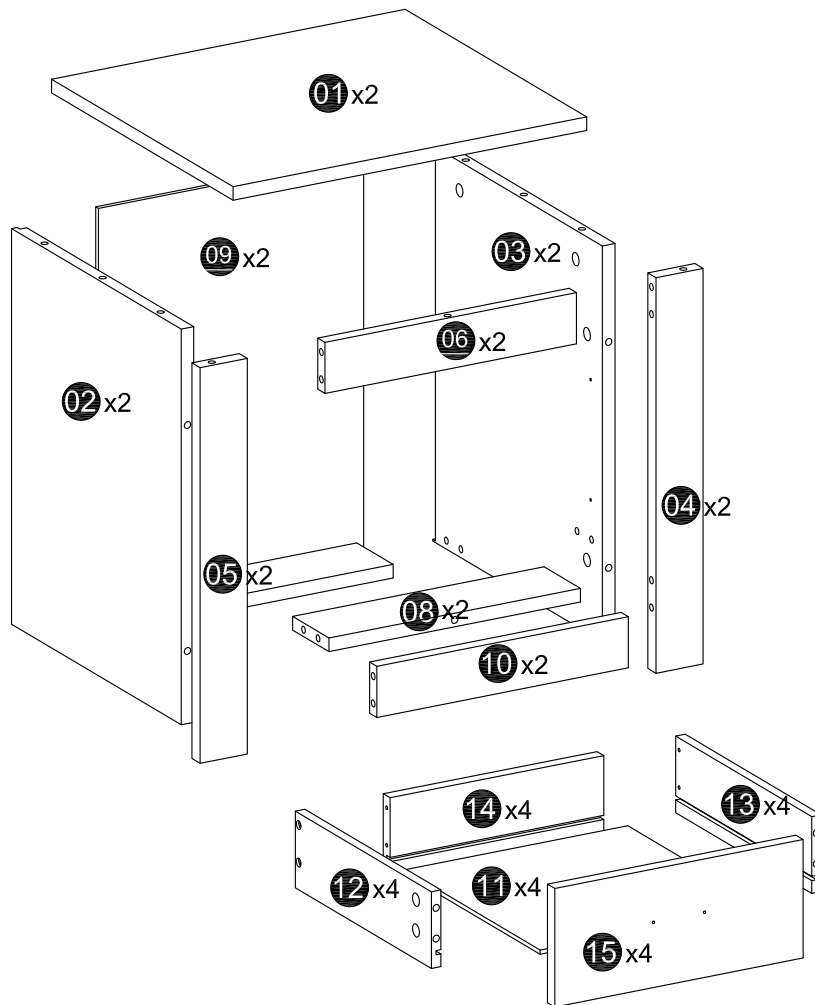
2 Drawers night table

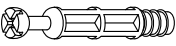


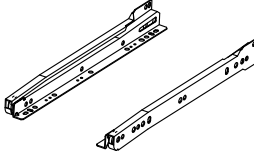
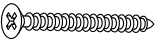
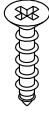

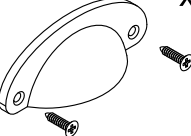

USER MANUAL | MODE D'EMPLOI | MANUAL DEL USUARIO | GEBRAUCHSANLEITUNG |
GEBRUIKSHANDLEIDING | MANUALE PER L'UTENTE | MANUAL DO UTILIZADOR





An illustration of a person standing with their hand to their chin in a thinking pose. To their right is a large question mark. Below them are two wooden planks and a hammer.	<p>Please keep your original packages , due to health and safety reasons , we cannot accept returns without original packages .</p> An illustration of a person's head and shoulders wearing a headset with a microphone.	An illustration of a person standing with their hand to their chin in a thinking pose, next to a computer monitor on a stand.
--	---	---

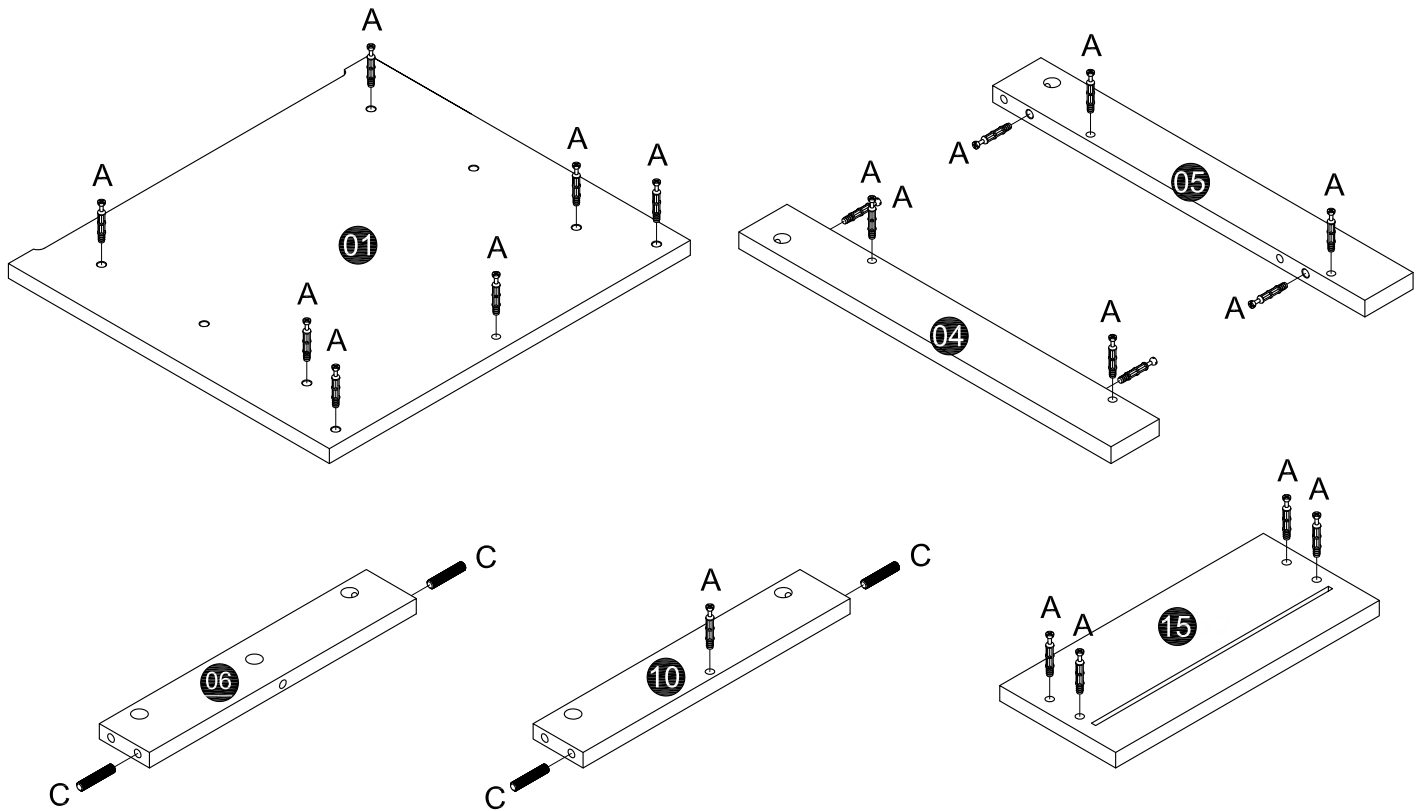
We will resolve the issues for you within 1 working day!




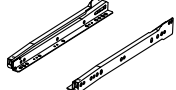


<p>A Cam dowel x64</p> 	<p>B Lock x64</p> 	<p>C Wood dowel x12</p> 	<p>D Drawer rail x4</p> 	<p>E Screw x16</p>  <p>Ø3.5*35mm</p>
<p>F Screw x32</p>  <p>Ø3.5*14mm</p>	<p>G Nail x40</p> 	<p>H Handle&screw x4</p> 	<p>I Nail leg x8</p> 	

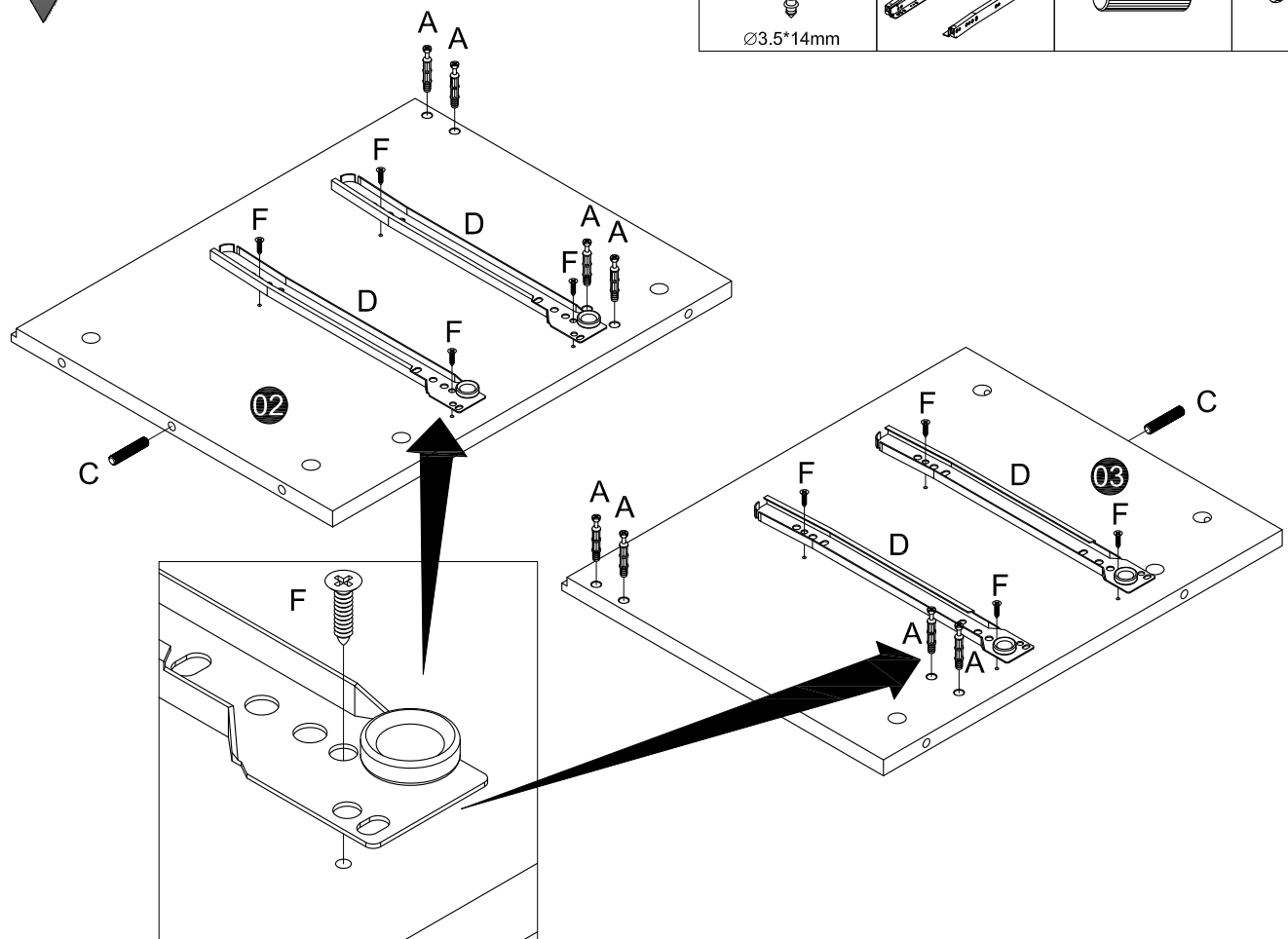
01

C wood dowel x4	A CAM dowel x24
	

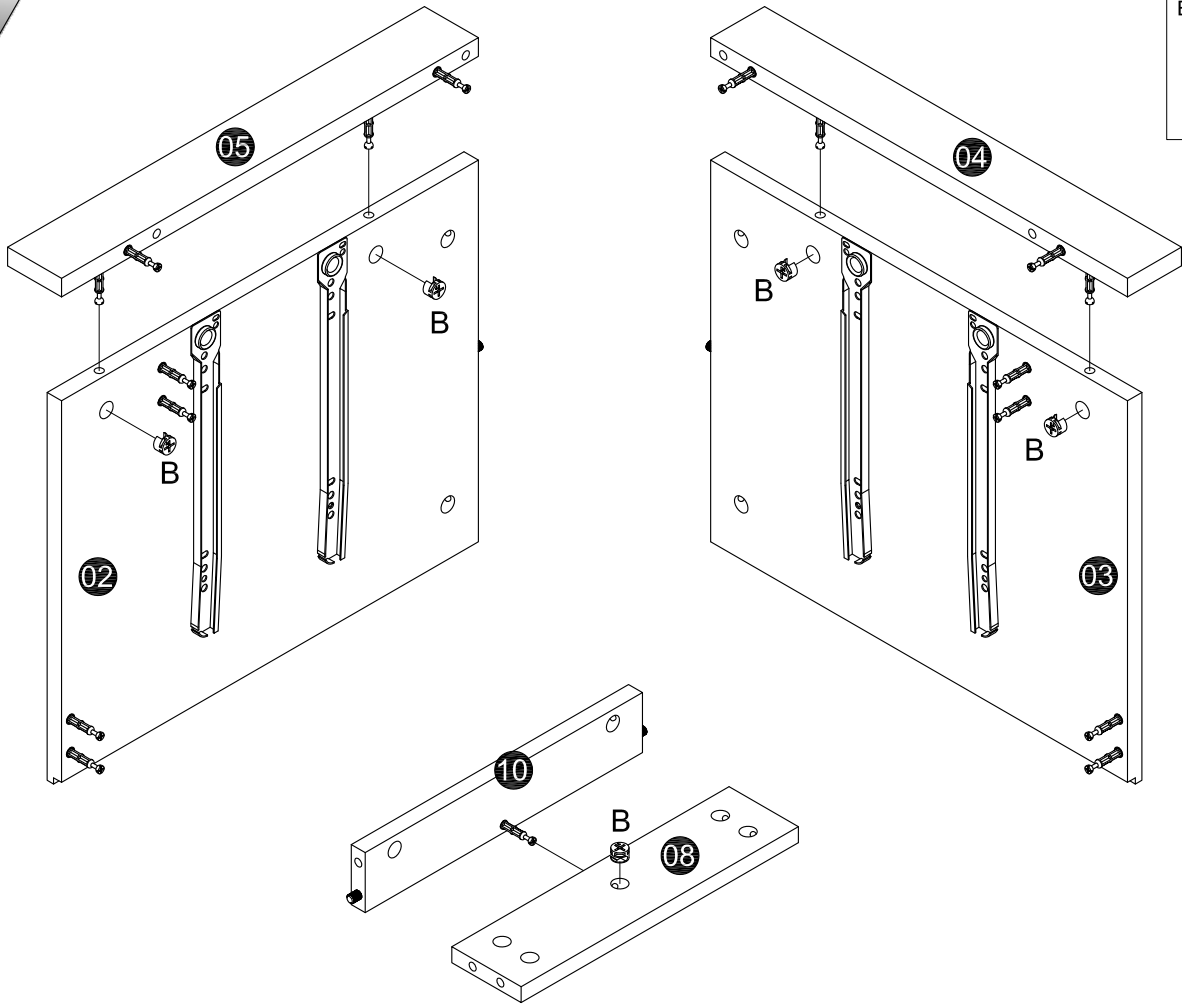


02

F Screw x8  Ø3.5*14mm	D Drawer rail x2 	C Wood dowel x2 	A Cam dowel x8 
--	---	--	---



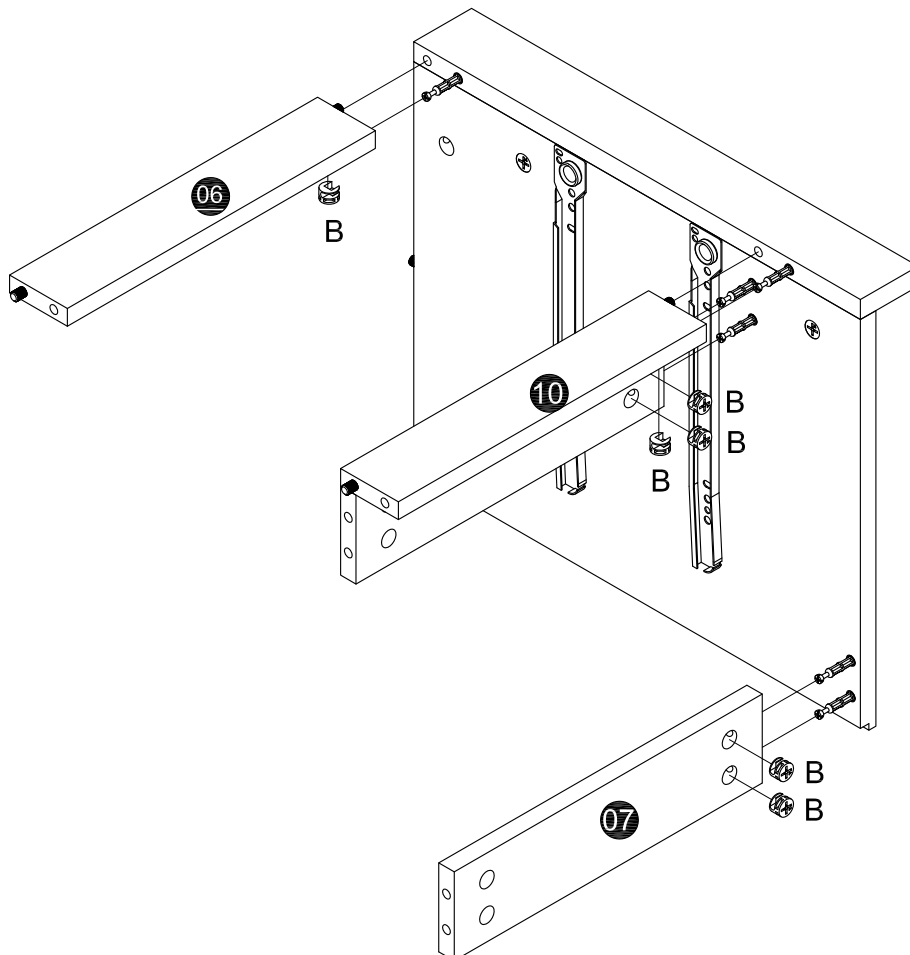
03



B Lock x5



04

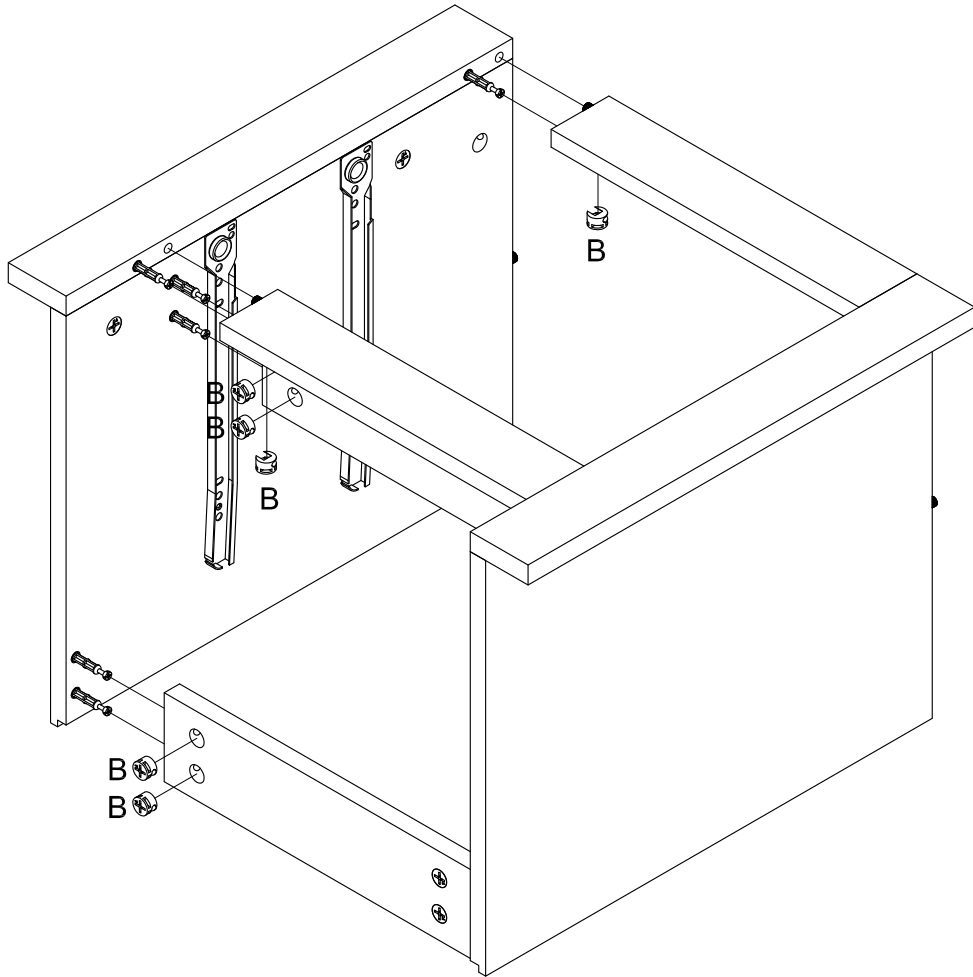


B Lock x6



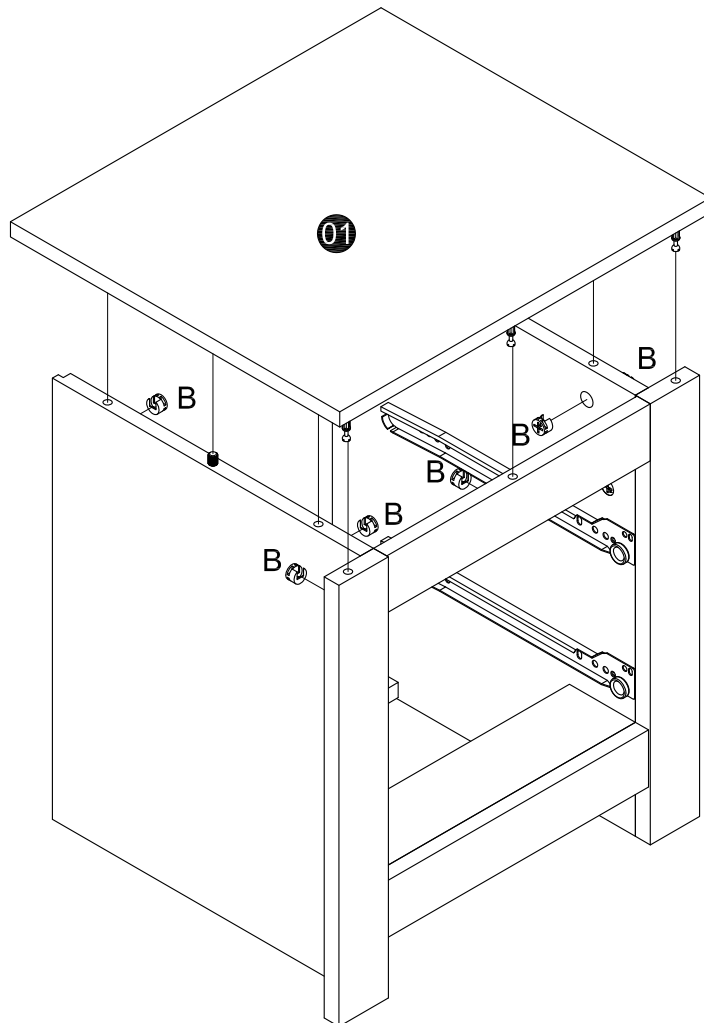
05

B Lock x6

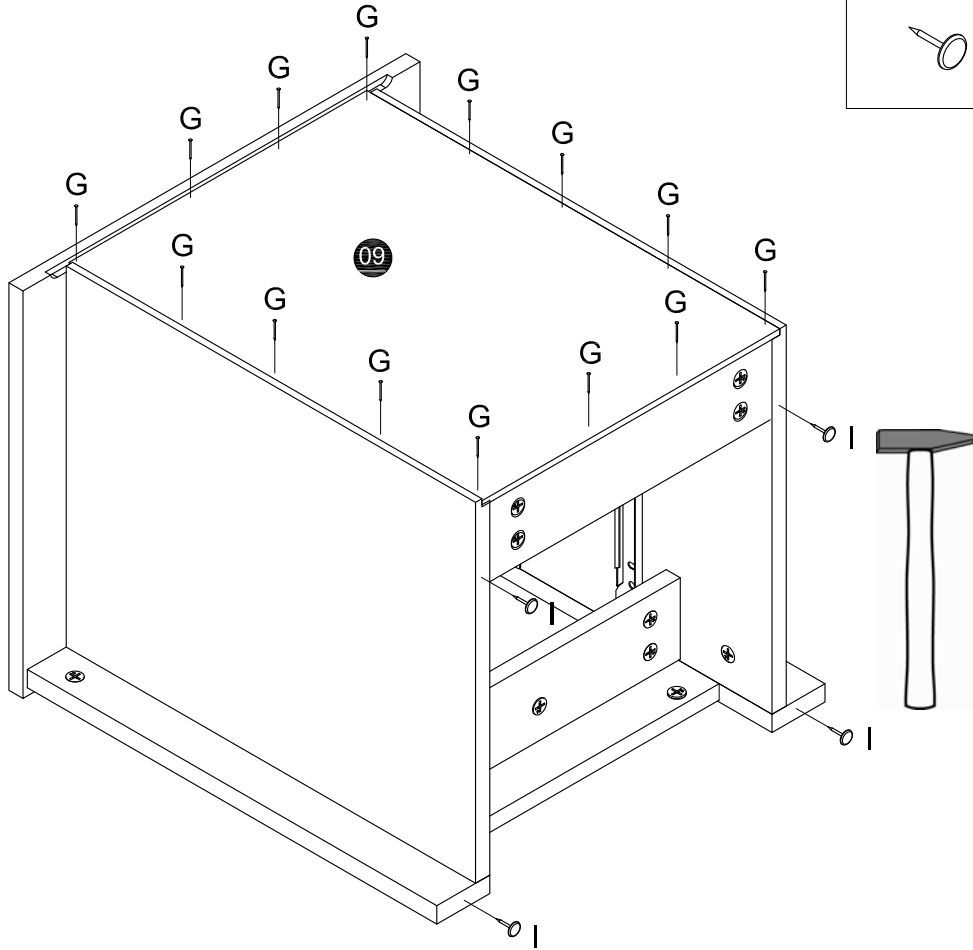


06

B Lock x7



07



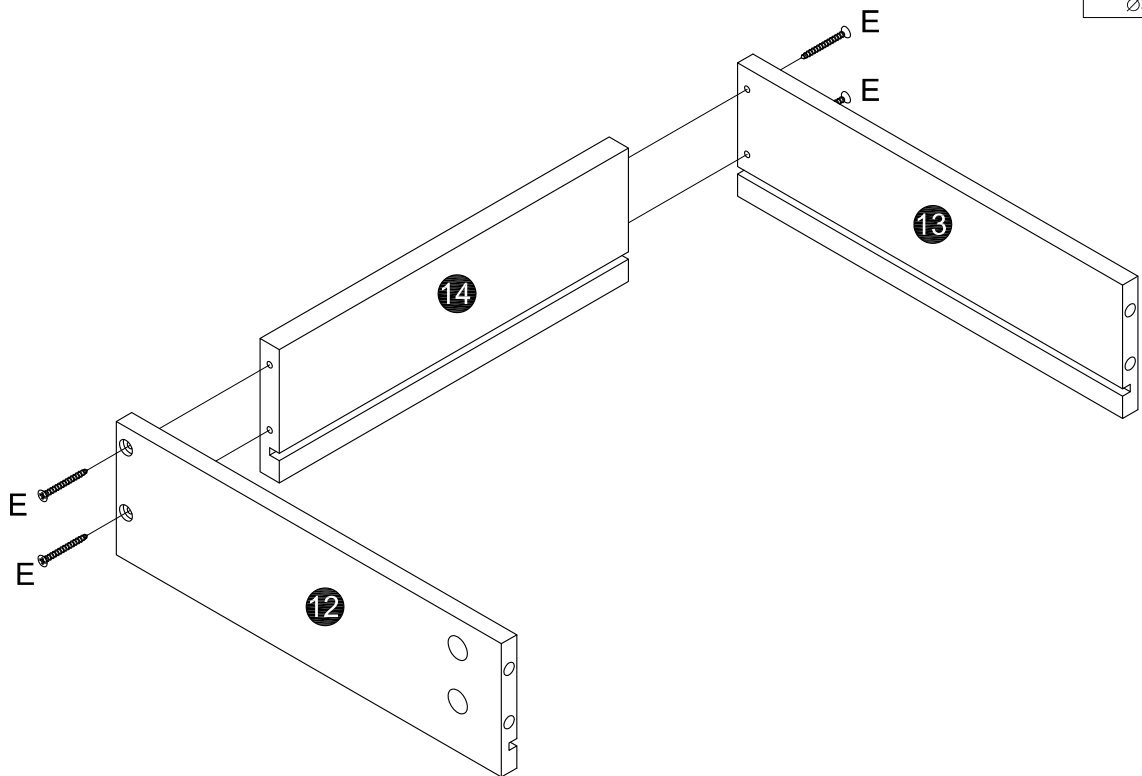
I Nail leg x4



G Nail



08



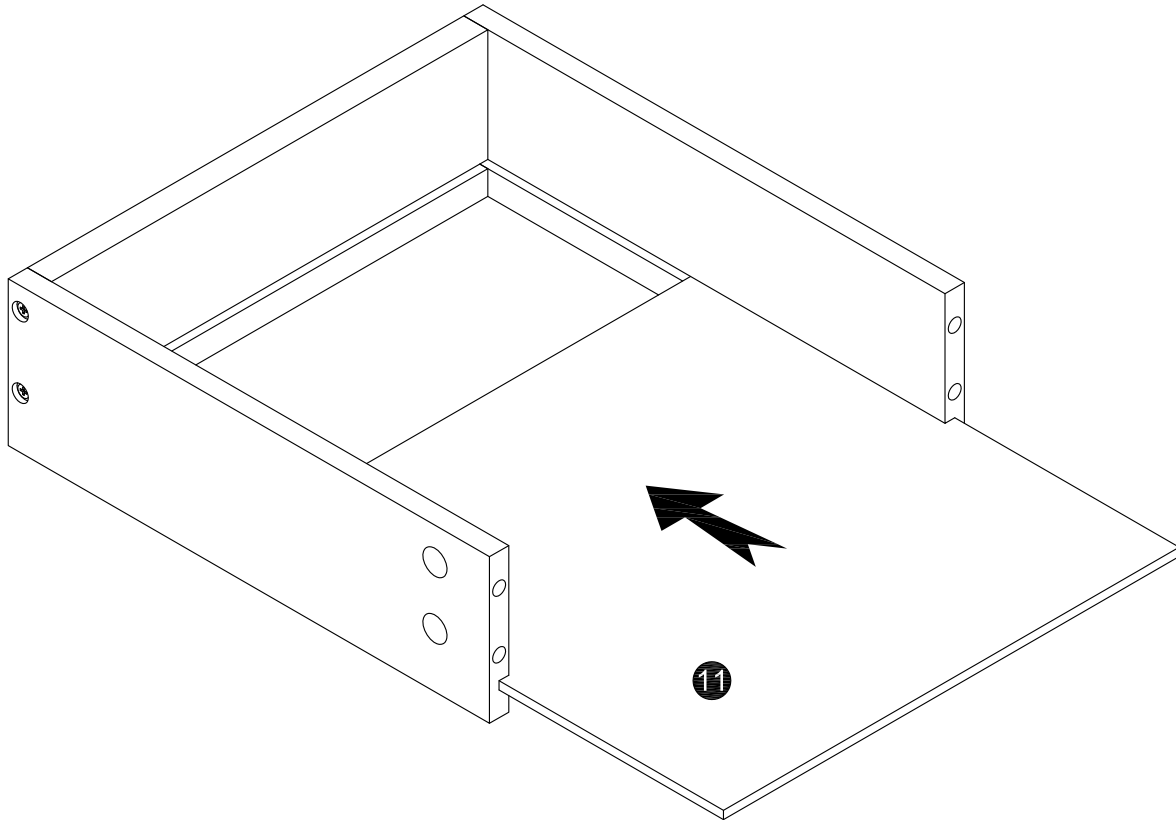
E Screw x8



Ø3.5*35mm

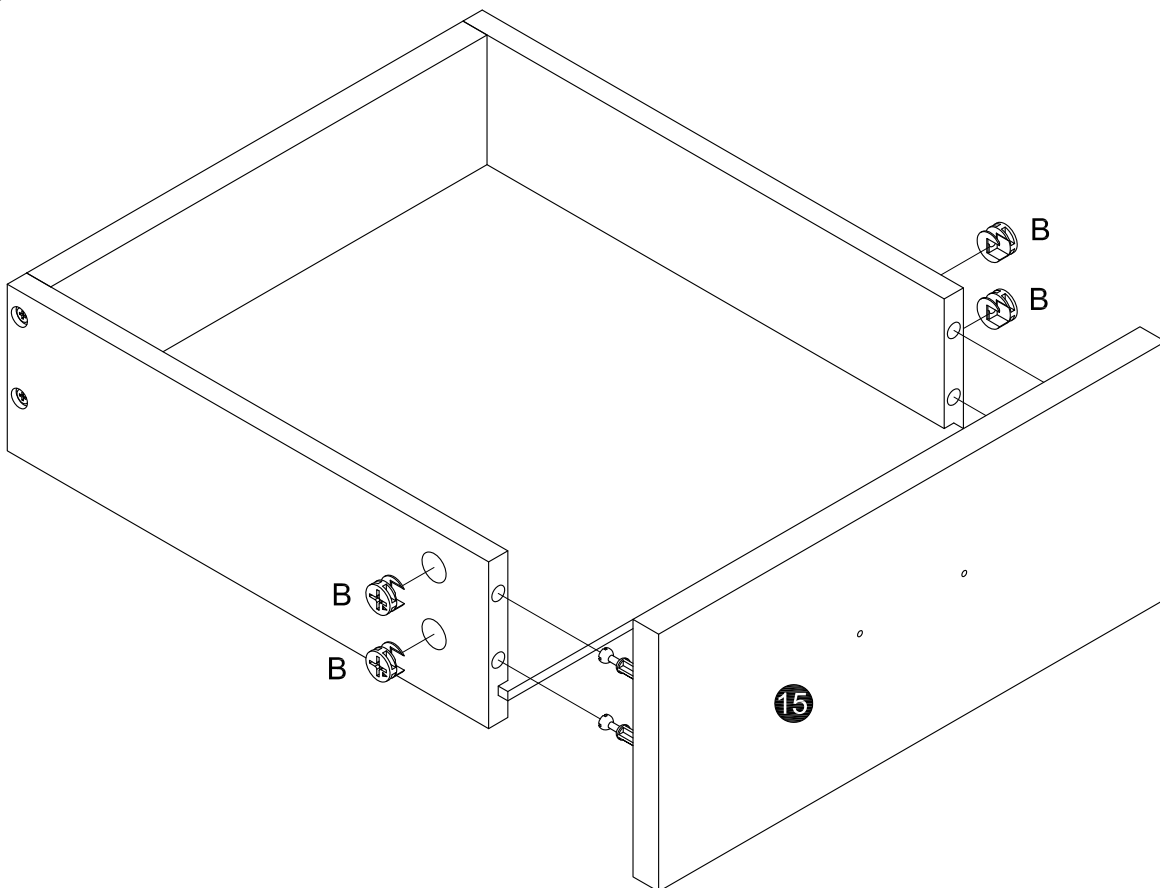
2 x

09



2 x

10

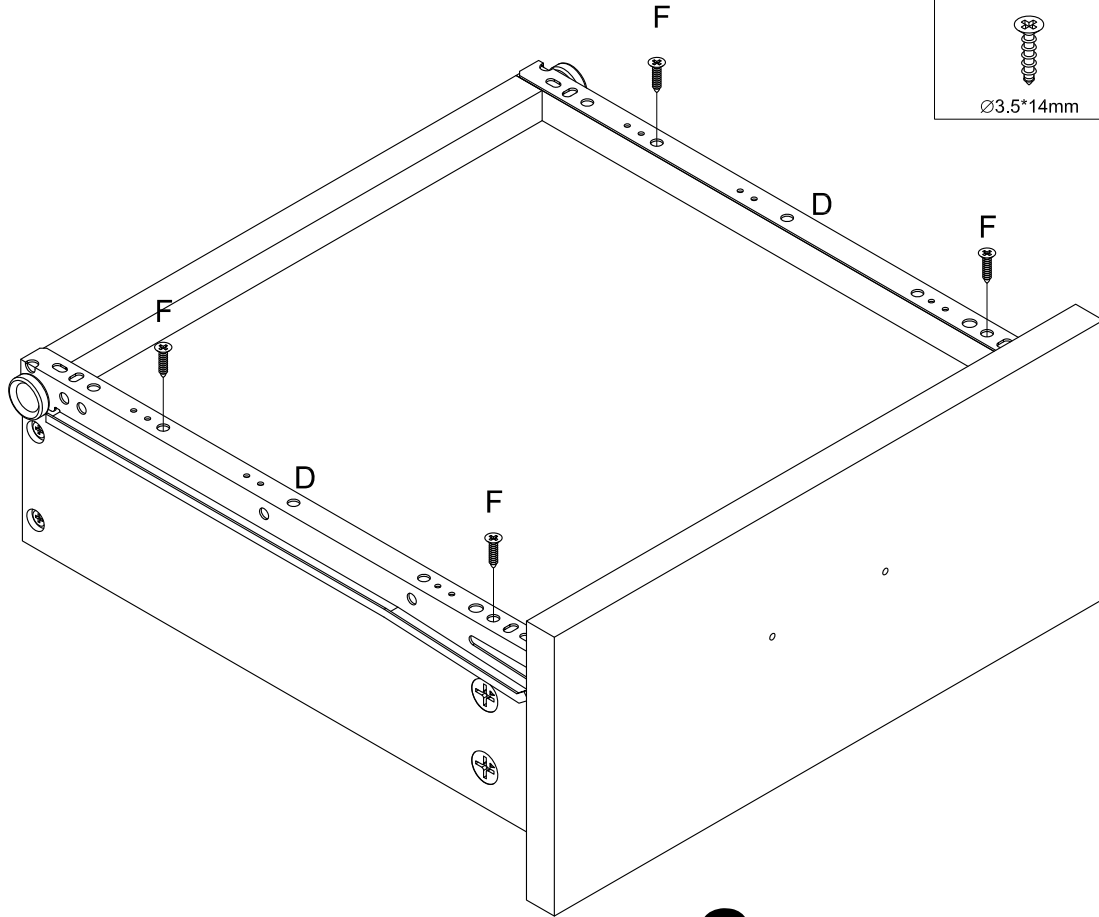


B Lock x8



2 x

11

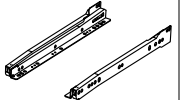


F Screw x8



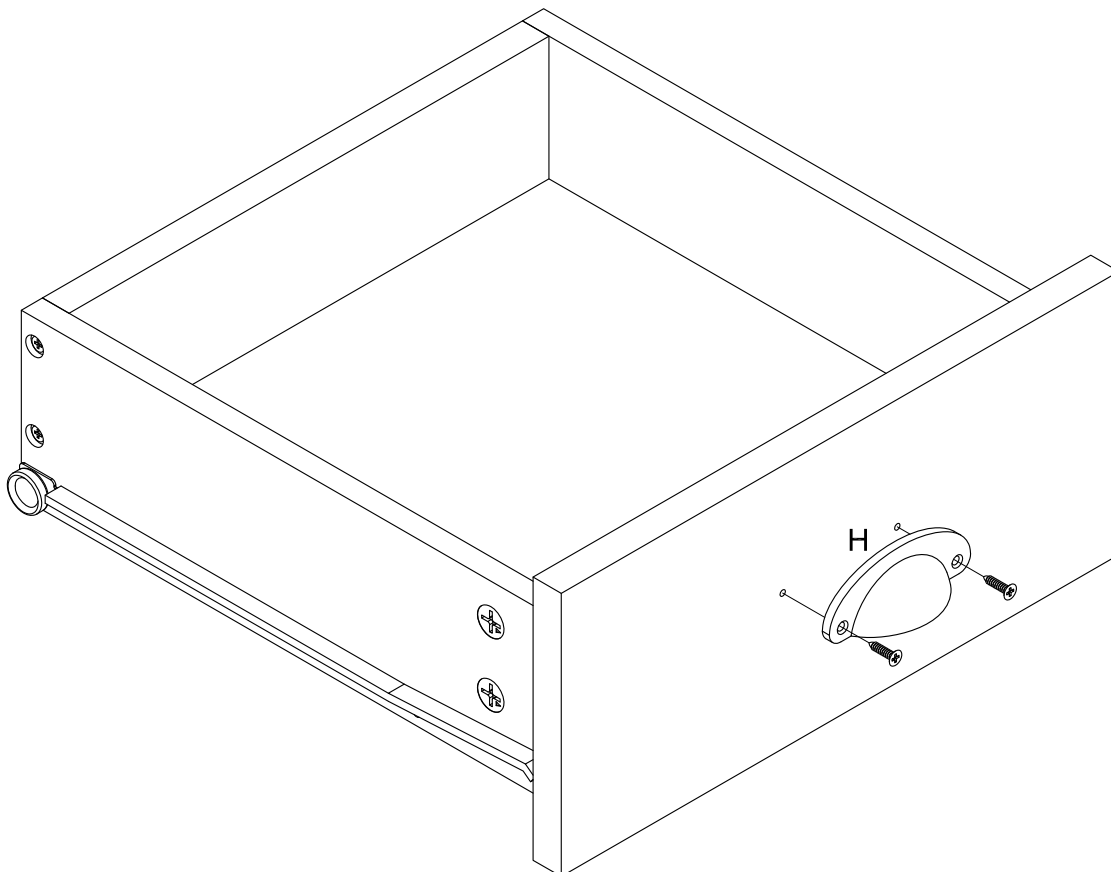
Ø3.5*14mm

D Drawer rail x2



2 x

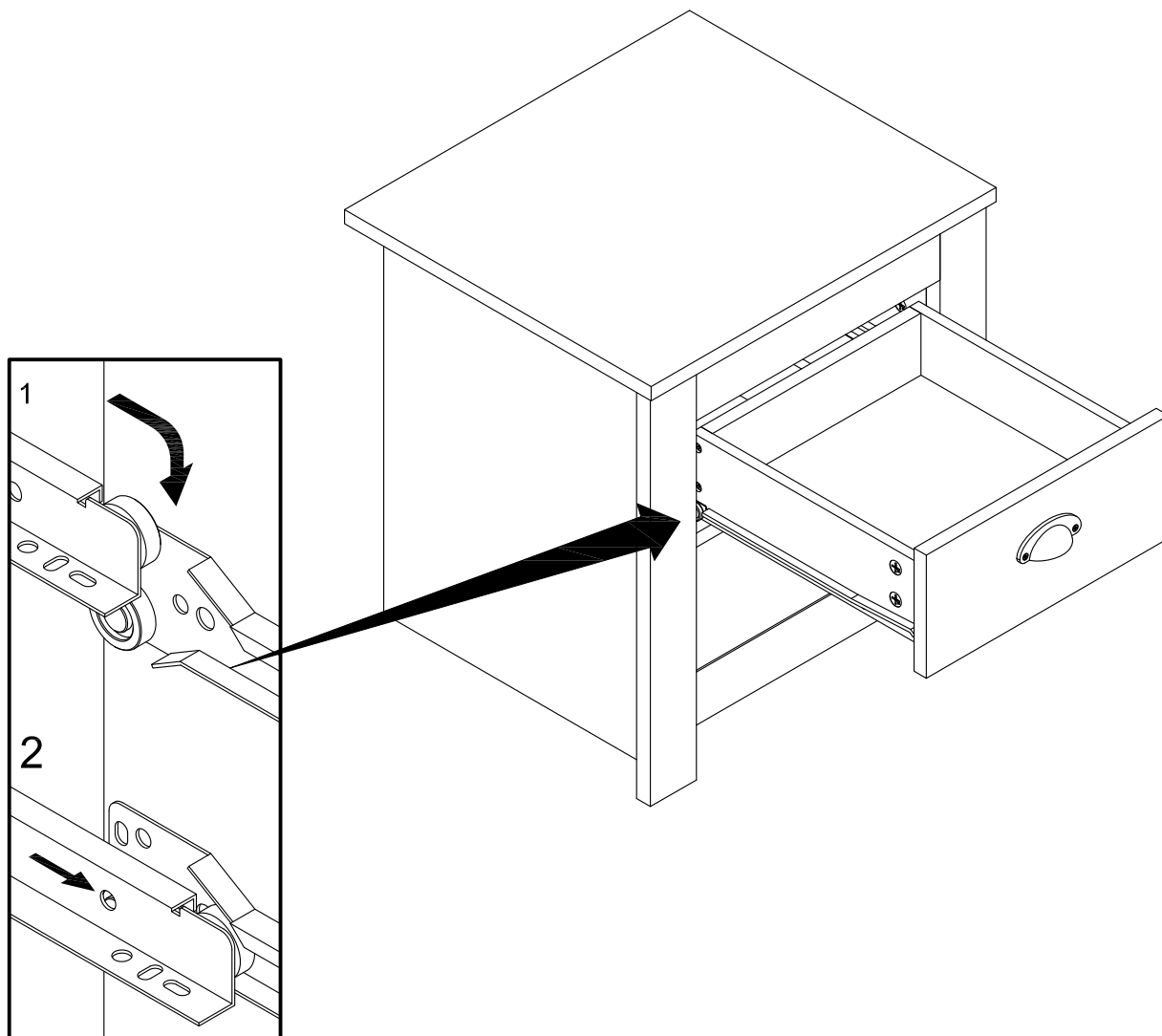
12



H Handle&screw
x2



2 x



For assistance with assembly, or to request replacement parts, log onto our website or call Customer Service.

DO NOT RETURN THE PRODUCT TO THE STORE.

Si vous avez besoin d'aide pour le montage, ou pour demander des pièces de rechange, connectez-vous sur notre site Web ou appelez le service à la clientèle.

NE RETOURNEZ PAS LE PRODUIT AU MAGASIN.

Para obtener ayuda sobre el montaje o para solicitar piezas de repuesto, conéctese a nuestra página web o llame a Atención al cliente.

NÃO DEVUELVA EL PRODUCTO A LA TIENDA.

Wenn Sie Hilfe beim Aufbau oder Ersatzteile benötigen, melden Sie sich auf unserer Webseite an oder rufen Sie unseren Kundenservice an.

GEBEN SIE DAS PRODUKT NICHT IM GESCHÄFT ZURÜCK.

Als u hulp nodig heeft bij de montage of vervangende onderdelen wilt bestellen, kunt u inloggen op onze website of bellen met de klantenservice.

BRENG HET PRODUCT NIET TERUG NAAR DE WINKEL.

Per assistenza al montaggio, o per richiedere pezzi di ricambio, accedi al nostro sito o chiama il servizio clienti.

NON RESTITUIRE IL PRODOTTO AL NEGOZIO.

Para obter ajuda na montagem, ou para solicitar peças de substituição, inicie a sessão no nosso sítio da Internet ou ligue para o Serviço de Apoio ao Cliente.

NÃO DEVOLVA O PRODUTO À LOJA.

US,

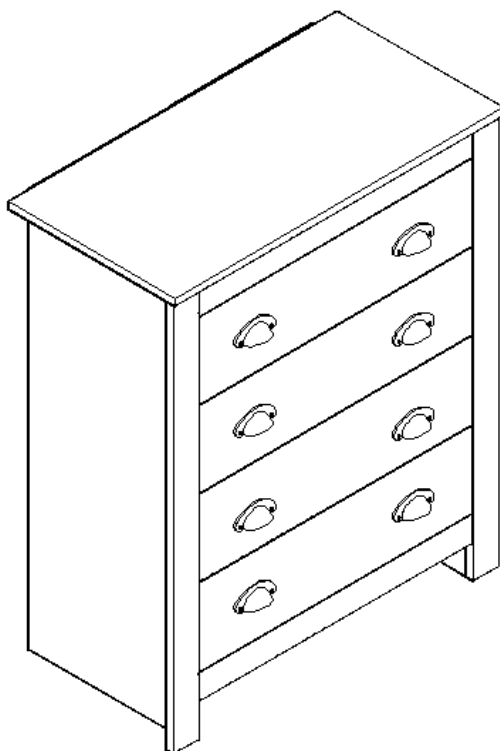
UK

Spain:

Other European Countries:

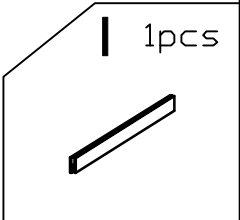
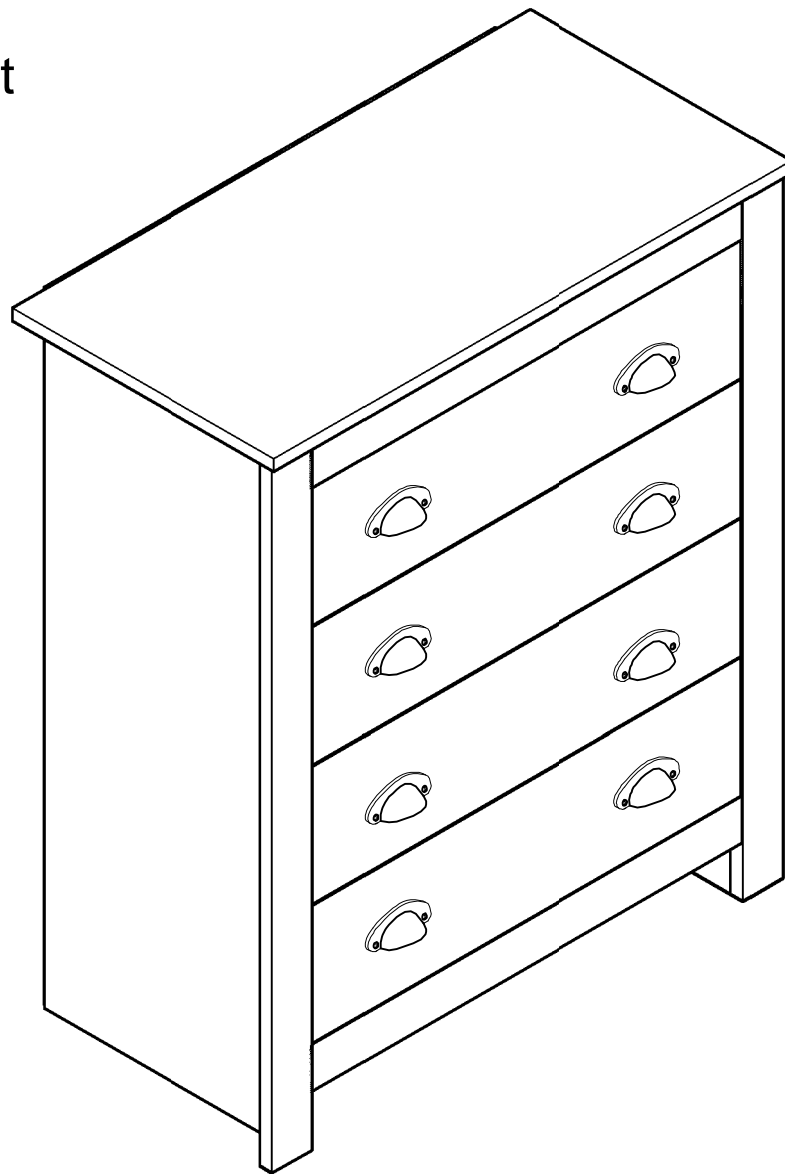
4 drawers cabinet

USERMANUAL|MODED'EMPLOI|MANUALDELUSUARIO|GEBRAUCHSANLEITUNG|
GEBRUIKSHANDLEIDING|MANUALEPERL'UTENTE|MANUALDOUTILIZADOR

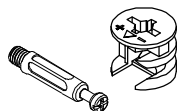


We will resolve the issues for you within 1 working day!

4 drawers cabinet



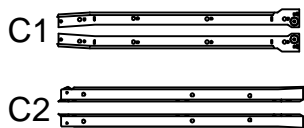
A 50pcs



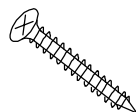
B 7pcs



C 4pcs



D 16pcs



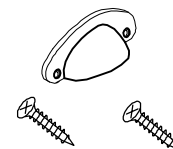
E 32pcs



F 40pcs

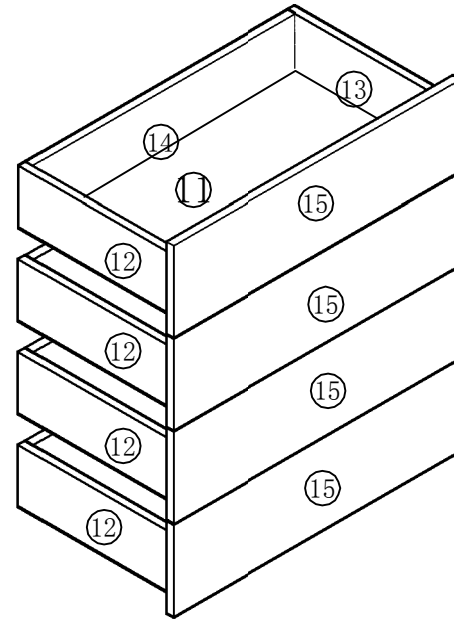
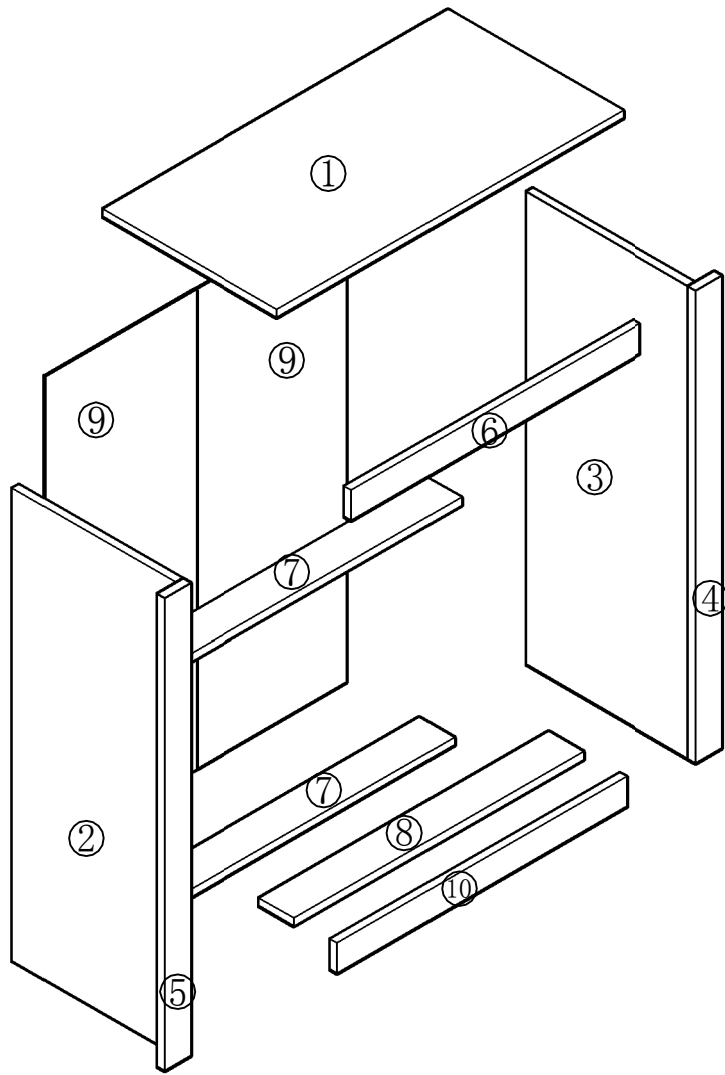


G 8pcs



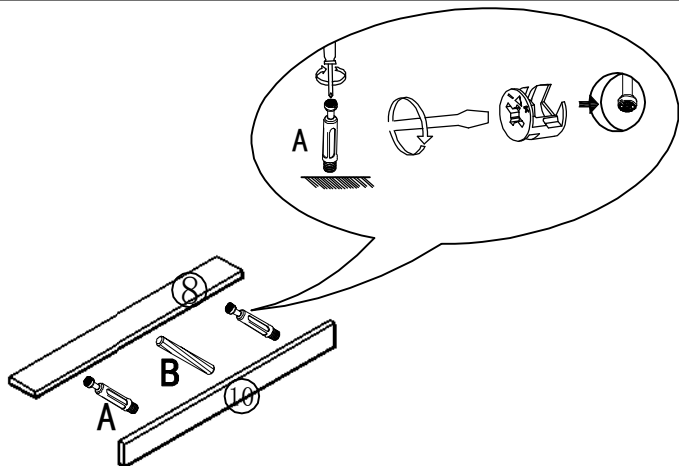
H 4pcs





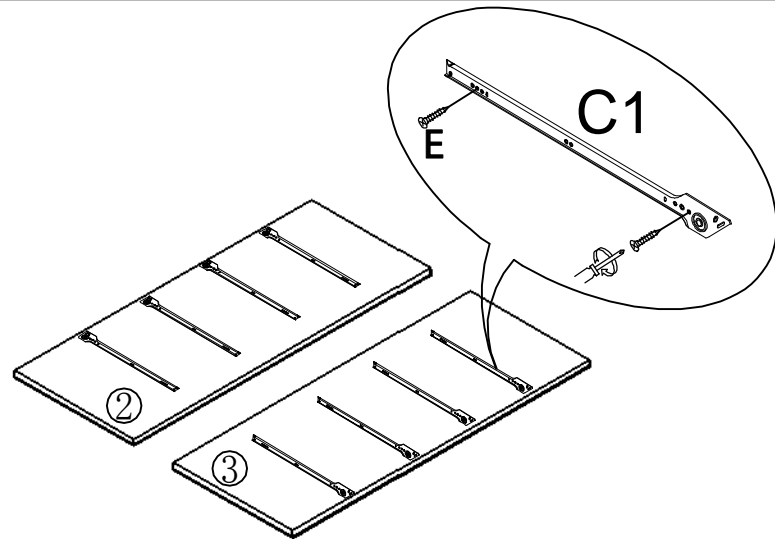
1	790X400X16MM	1PCS
2	934X374X16MM	1PCS
3	934X374X16MM	1PCS
4	934X60X18MM	1PCS
5	934X60X18MM	1PCS
6	660X60X16MM	1PCS
7	660X80X16MM	2PCS
8	660X80X16MM	1PCS
9	947X344x3MM	2PCS
10	660X60X16MM	1PCS
11	613X343x3MM	4PCS
12	350X120X16MM	4PCS
13	350X120X16MM	4PCS
14	603X120X16MM	4PCS
15	656X181X16MM	4PCS

1



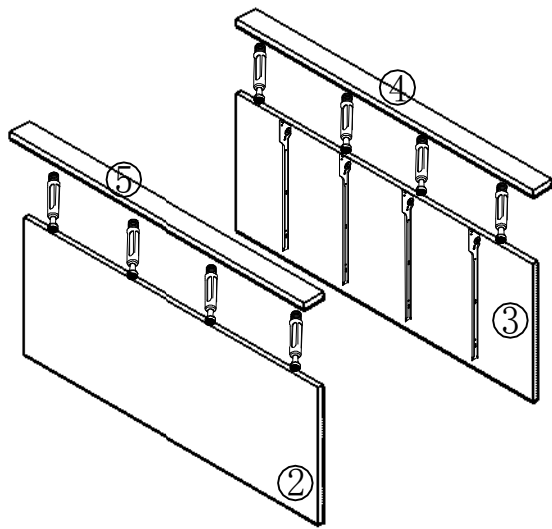
A*2 B*1

2



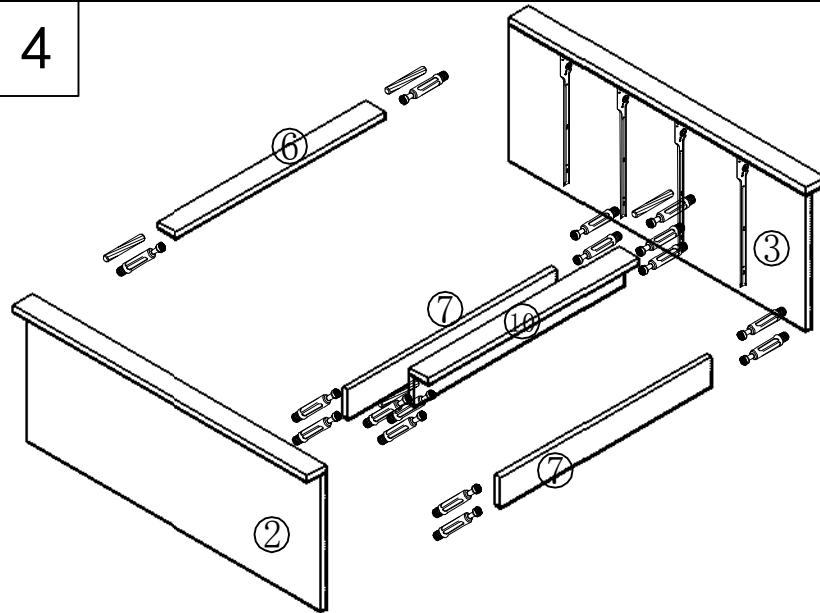
C1*4 E*16

3



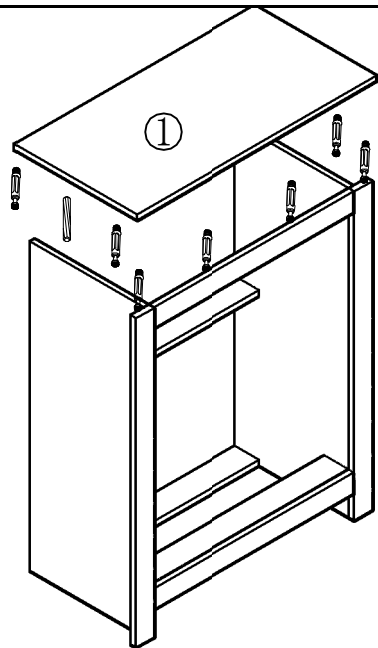
A*8

4



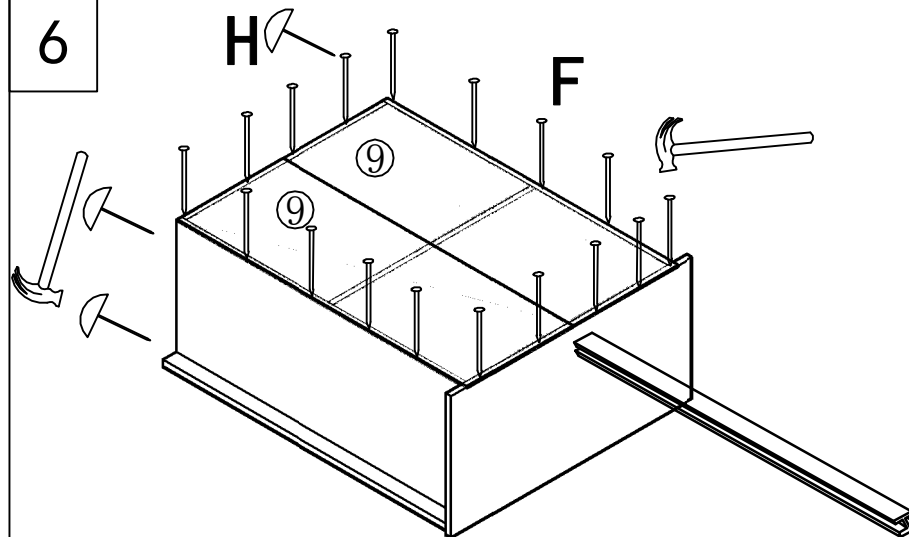
A*16 B*4

5



A*8 B*2

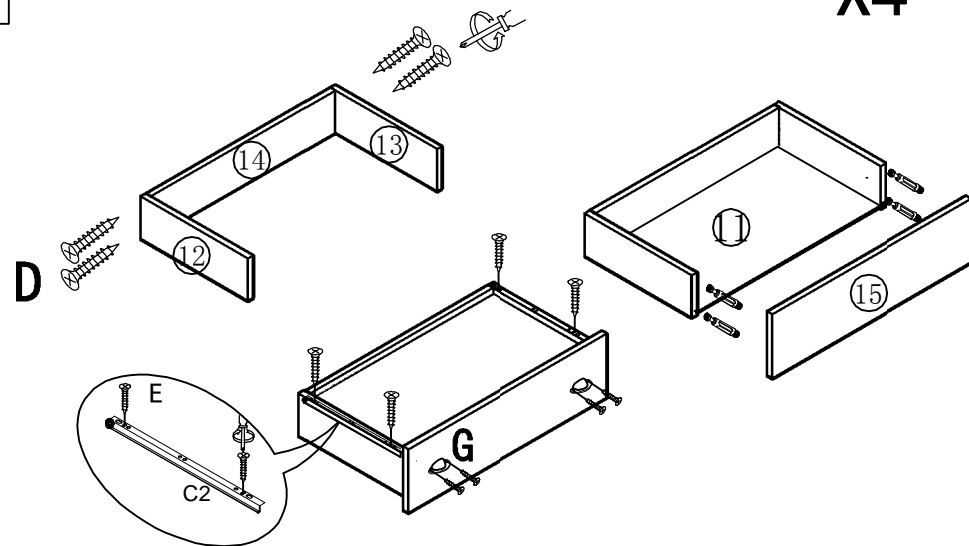
6



F*40 I*1 H*4

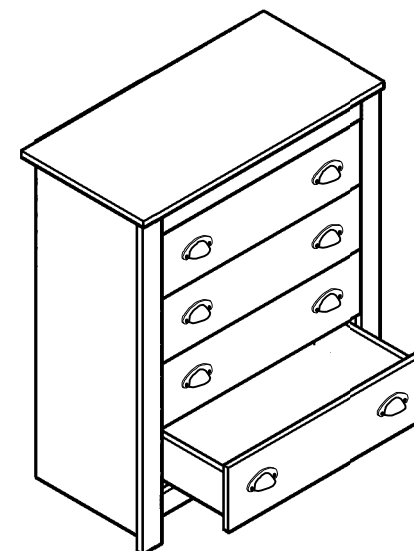
7

X4



A*16 D*16 C2*4 G*8 E*16

8



THE PRODUCT YOU HAVE PURCHASED WILL GIVE YOU MANY YEARS OF SERVICE
IF YOU FOLLOW THE GUIDELINES FOR ITS SAFE ASSEMBLY AND PERIODIC
MAINTENANCE AND CLEANING.PLEASE DON'T EXPOSE IT TO THE HOT SUN,
PLEASE DON'T SOAK IN WATER,PLEASE DON'T CUT WITH SHARP THING,PLEASE DON'T HIT IT WITH BLUNT.



For assistance with assembly, or to request replacement parts, log onto our website or call Customer Service.
DO NOT RETURN THE PRODUCT TO THE STORE.

Si vous avez besoin d'aide pour le montage, ou pour demander des pièces de rechange, connectez-vous sur notre site Web ou appelez le service à la clientèle.
NE RETOURNEZ PAS LE PRODUIT AU MAGASIN.

Para obtener ayuda sobre el montaje o para solicitar piezas de repuesto, conéctese a nuestra página web o llame a Atención al cliente.
NO DEVUELVA EL PRODUCTO A LA TIENDA.

Wenn Sie Hilfe beim Aufbau oder Ersatzteile benötigen, melden Sie sich auf unserer Webseite an oder rufen Sie unseren Kundenservice an.
GEBEN SIE DAS PRODUKT NICHT IM GESCHÄFT ZURÜCK.

Als u hulp nodig heeft bij de montage of vervangende onderdelen wilt bestellen, kunt u inloggen op onze website of bellen met de klantenservice.
BRENG HET PRODUCT NIET TERUG NAAR DE WINKEL.

Per assistenza al montaggio, o per richiedere pezzi di ricambio, accedi al nostro sito o chiama il servizio clienti.
NON RESTITUIRE IL PRODOTTO AL NEGOZIO.

Para obter ajuda na montagem, ou para solicitar peças de substituição, inicie a sessão no nosso sítio da Internet ou ligue para o Serviço de Apoio ao Cliente.
NÃO DEVOLVA O PRODUTO À LOJA.

US,

UK:

Spain:

Other European Countries: