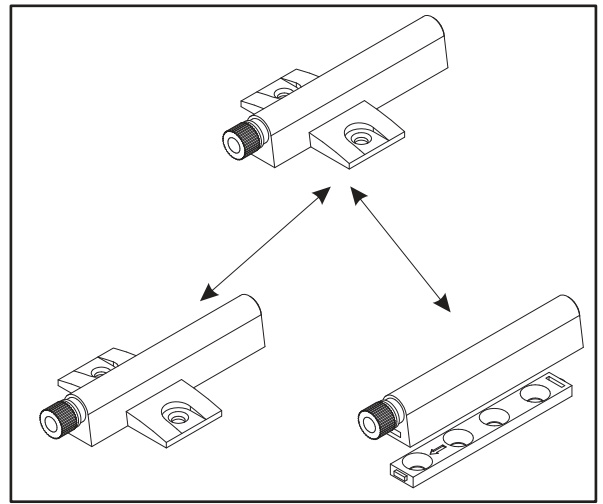
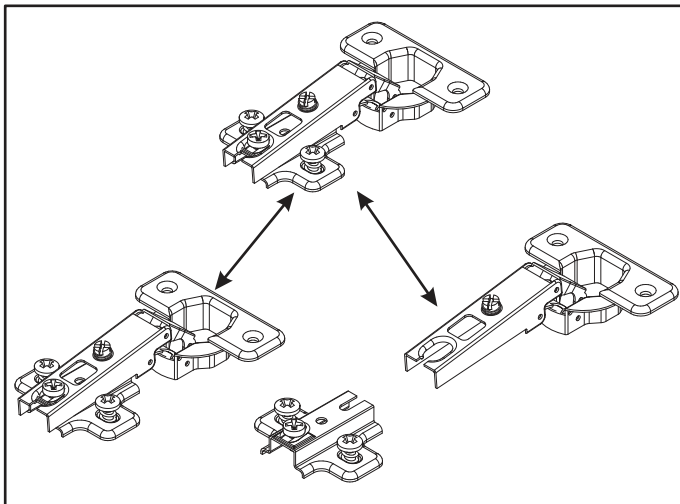
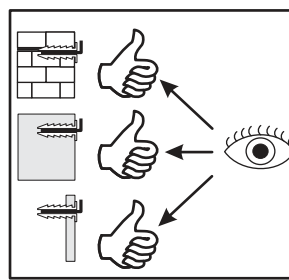
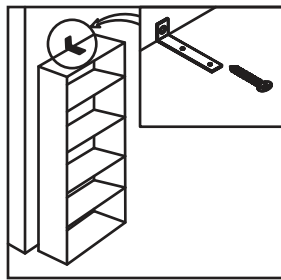
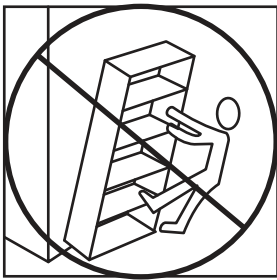
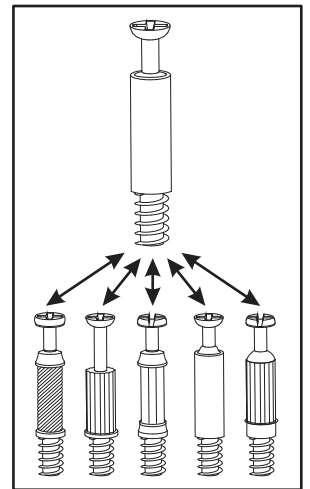
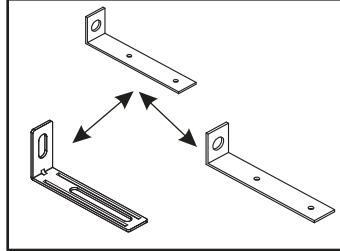
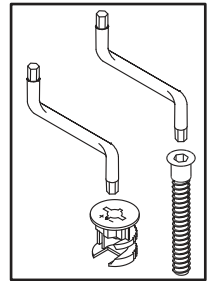
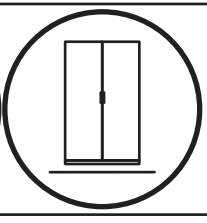
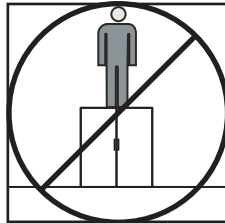
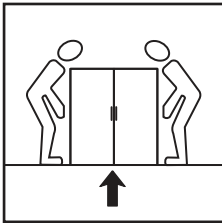
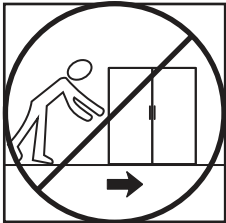
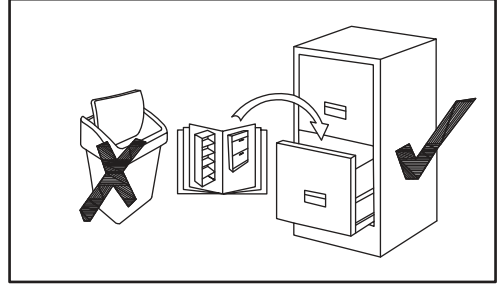
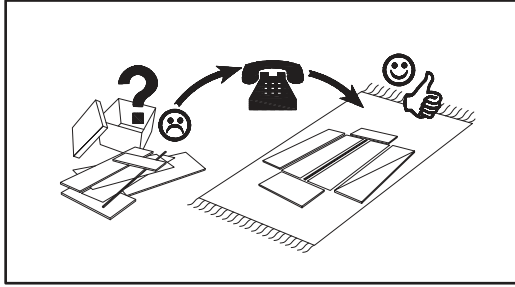
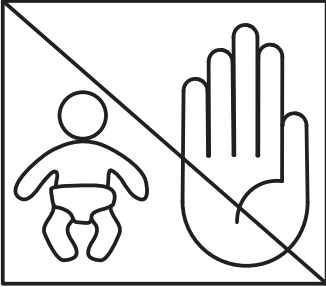
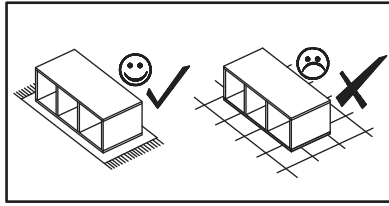
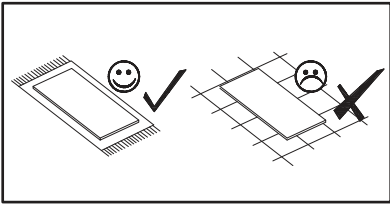
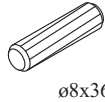
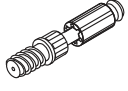


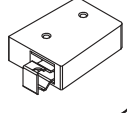
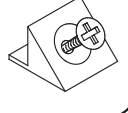
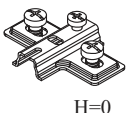
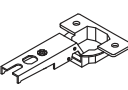


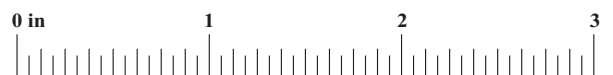
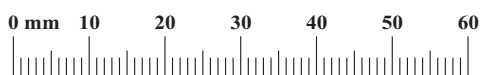
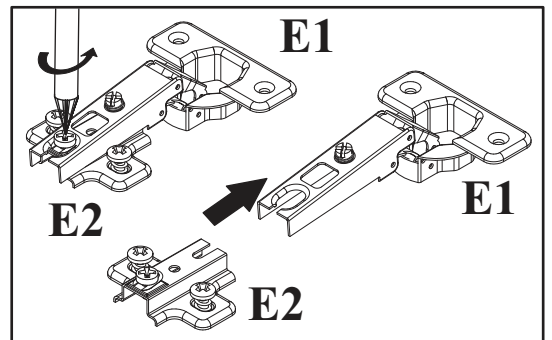
60 min

| NO | Dim. | | | Col.-No | Qty |
|-----|------|-----|----|---------|-----|
| 1 | 268 | 384 | 16 | 1 | 1 |
| 2 | 268 | 384 | 16 | 1 | 1 |
| 103 | 1602 | 384 | 16 | 1 | 1 |
| 203 | 1602 | 384 | 16 | 1 | 1 |
| 4 | 268 | 364 | 16 | 1 | 2 |
| 5 | 1580 | 280 | 3 | 1 | 1 |
| 106 | 1596 | 296 | 16 | 1 | 1 |

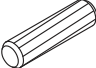

| NO | Dim. | | | Col.-No | Qty |
|-----|----------|----------|-----|---------|-----|
| 1 | 10 35/64 | 15 1/8 | 5/8 | 1 | 1 |
| 2 | 10 35/64 | 15 1/8 | 5/8 | 1 | 1 |
| 103 | 63 5/64 | 15 1/8 | 5/8 | 1 | 1 |
| 203 | 63 5/64 | 15 1/8 | 5/8 | 1 | 1 |
| 4 | 10 35/64 | 14 21/64 | 5/8 | 1 | 2 |
| 5 | 62 13/64 | 11 1/32 | 1/8 | 1 | 1 |
| 106 | 62 53/64 | 11 21/32 | 5/8 | 1 | 1 |

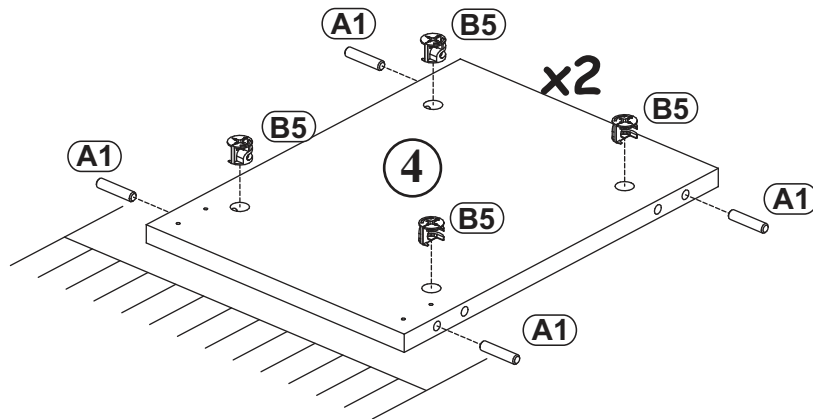
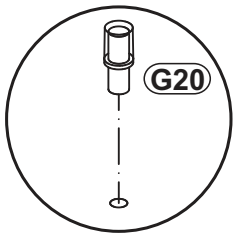
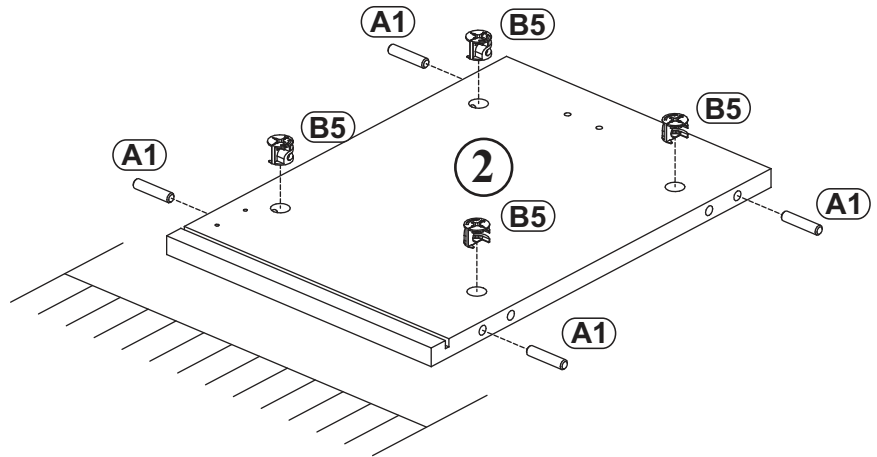
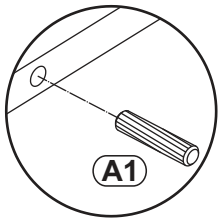
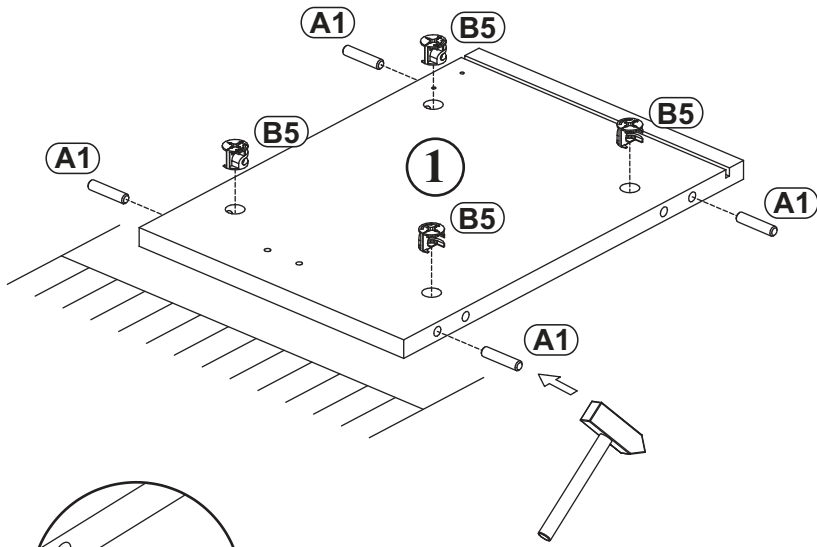


| | | | | | | | | | | | |
|------------|--|-----------|---|-----------|---|-------------------|--|-----------|---|-----------|---|
| A1 x16 | Ø5/16"x1 27/64" ø8x36 | B4 x16 |  | B5 x16 | Ø19/32"x15/32" ø15x12 | G5 x16 |  | ZR1 x4 |  | S1 x12 |  |
| E2 x3 |  H=0 | E1 x3 | Ø1 1/32" Ø26 H=0 | G21 x2 |  | KR5 SFXP x4 | Ø 25/64"/1 31/32" x2 23/64" Ø10/50x60 | D7 x6 | USØ1/8"x5/8" USØ3x16 | D6 x8 | USØ9/64"x1 3/16" USØ3,5x30 |
| D10 x12 | USØ9/64"x33/64" USØ3,5x13 | AM x1 |  | SZ9 x1 | L=61 37/64" L=1564mm | G2 x1 |  | | | | |

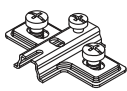
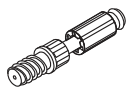


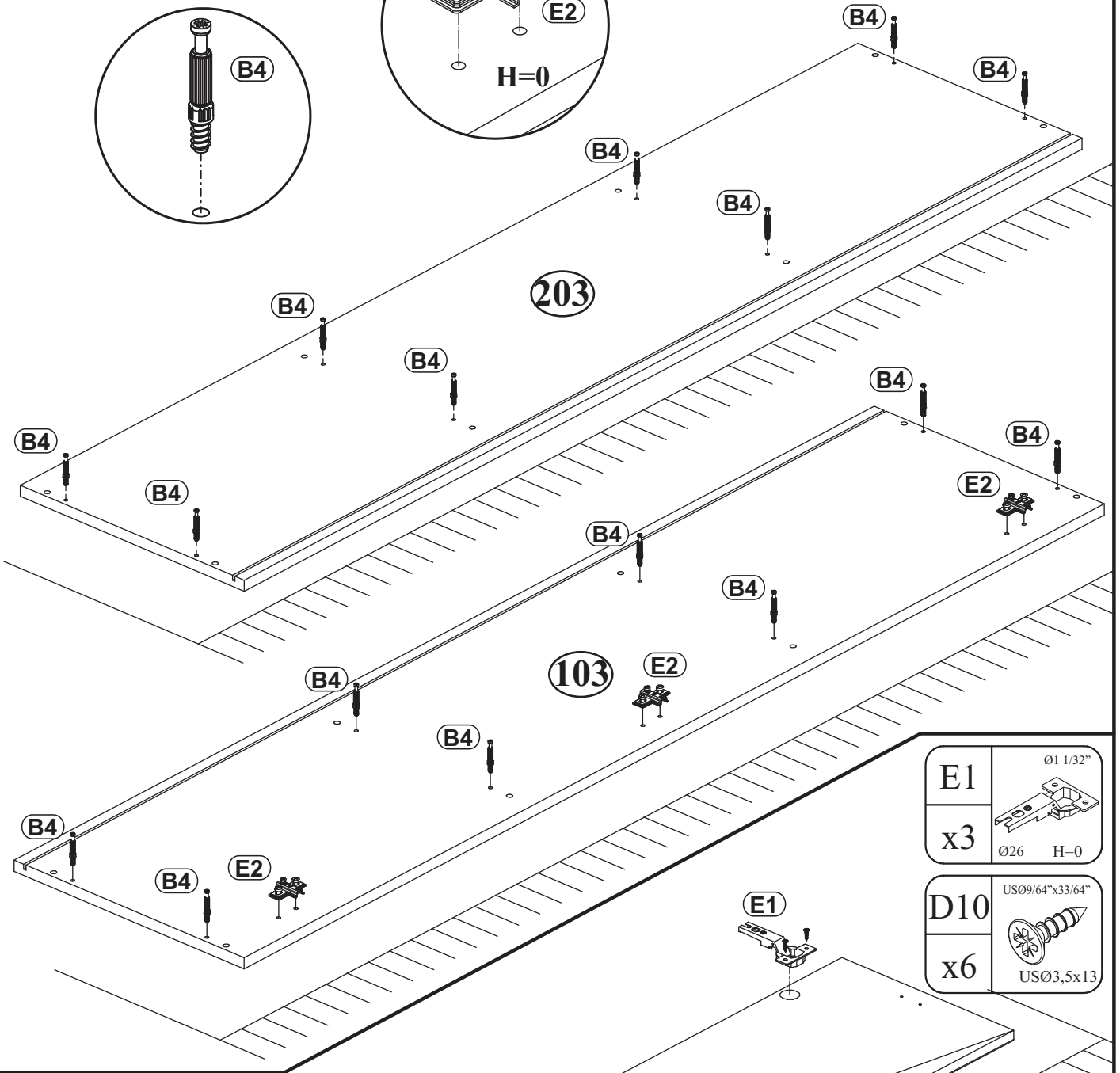
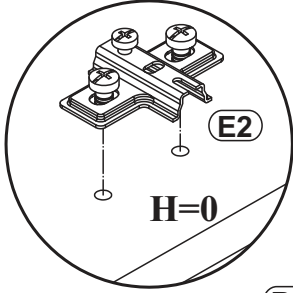
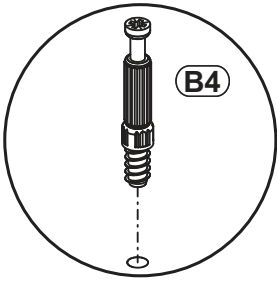
1

| | | | |
|-----|--|-----|---|
| A1 | Ø5/16" x 1 27/64" | B5 | Ø19/32" x 15/32" |
| x16 |  ø8x36 | x16 |  ø15x12 |

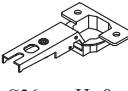



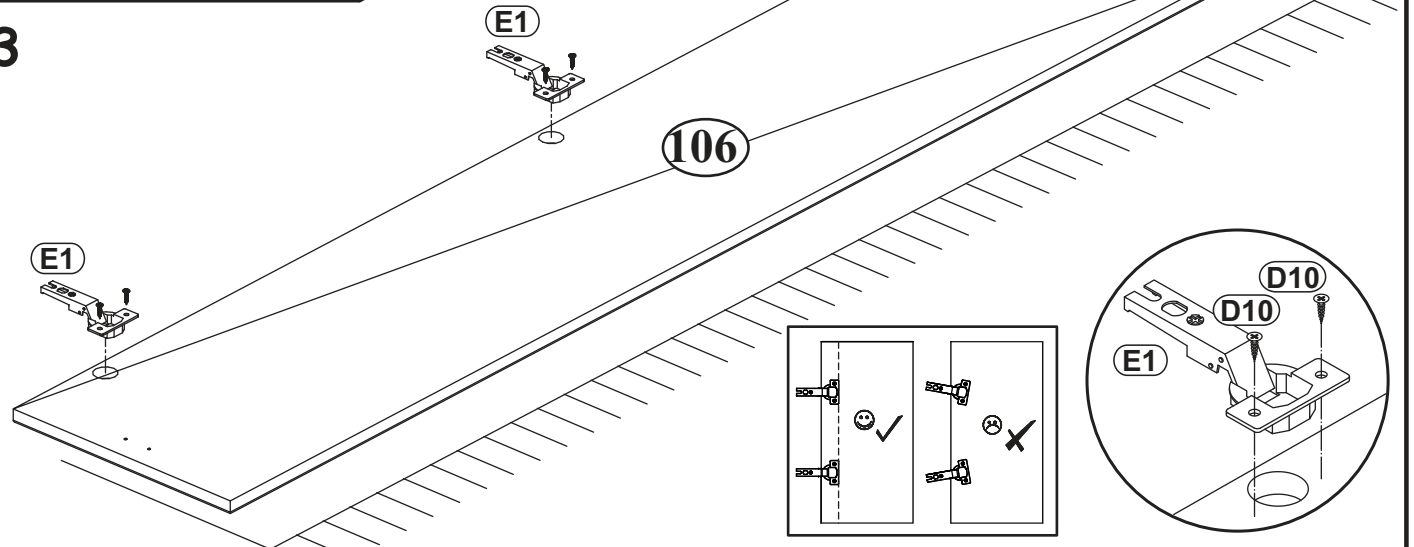
2

| | | | |
|----|---|-----|---|
| E2 |  | B4 |  |
| x3 | H=0 | x16 | |




3

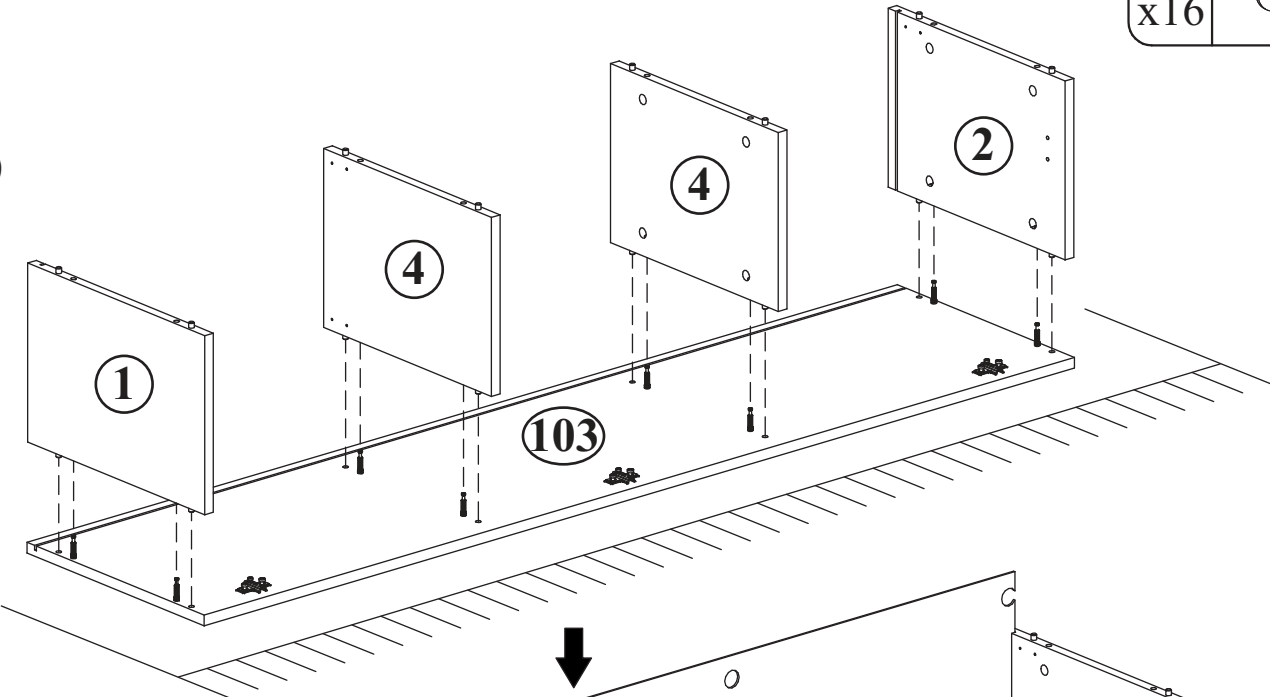
| | | |
|-----|---|-------------------|
| E1 |  | $\text{Ø} 1/32''$ |
| x3 | $\text{Ø} 26$ | H=0 |
| D10 |  | US09/64"x33/64" |
| x6 | | US03,5x13 |



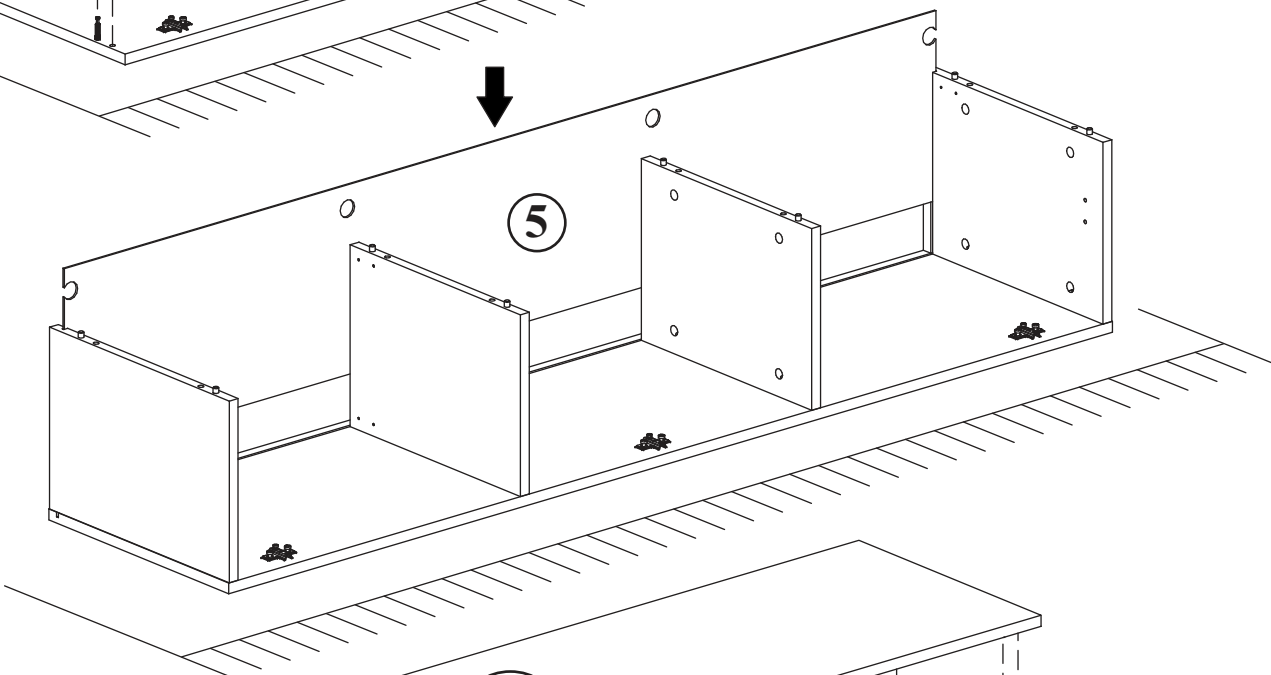
4

| | |
|-----|---|
| G5 |  |
| x16 | |

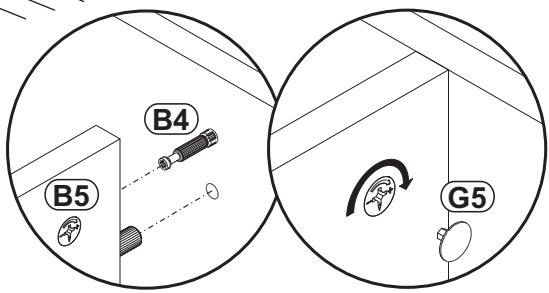
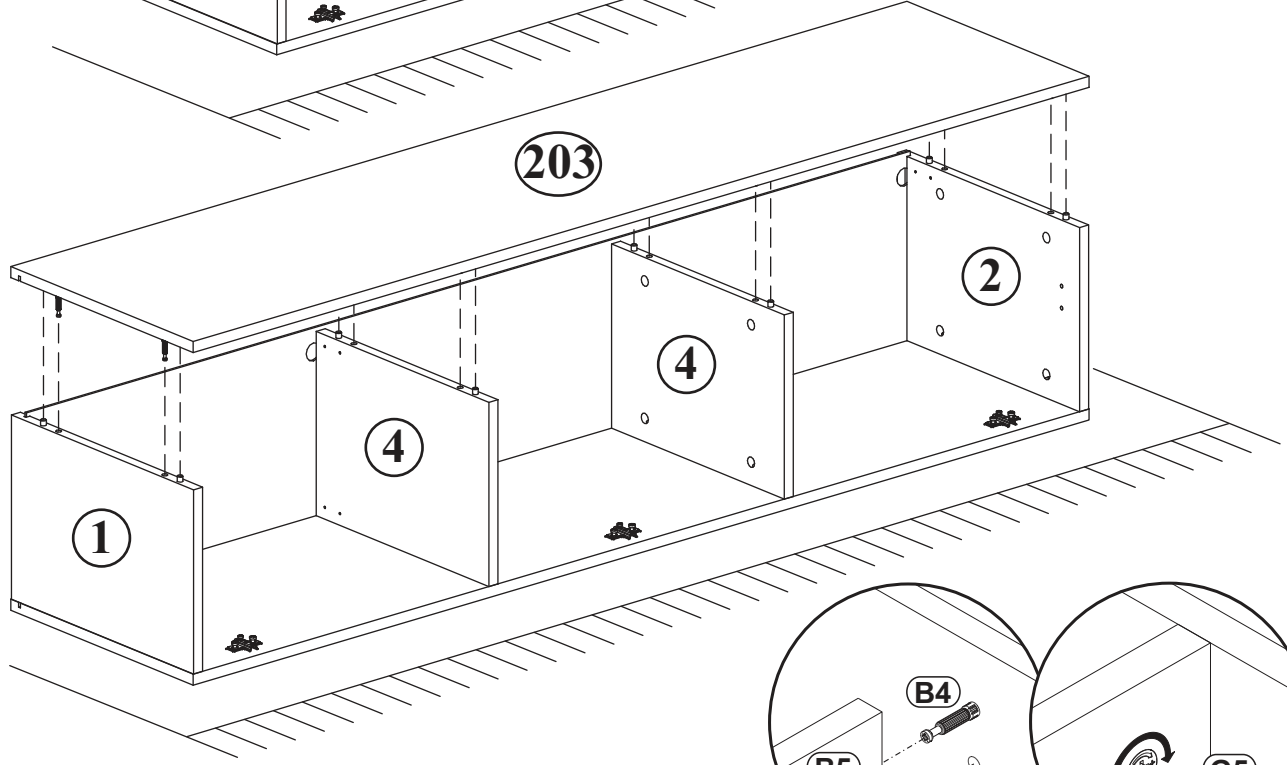
a)



b)



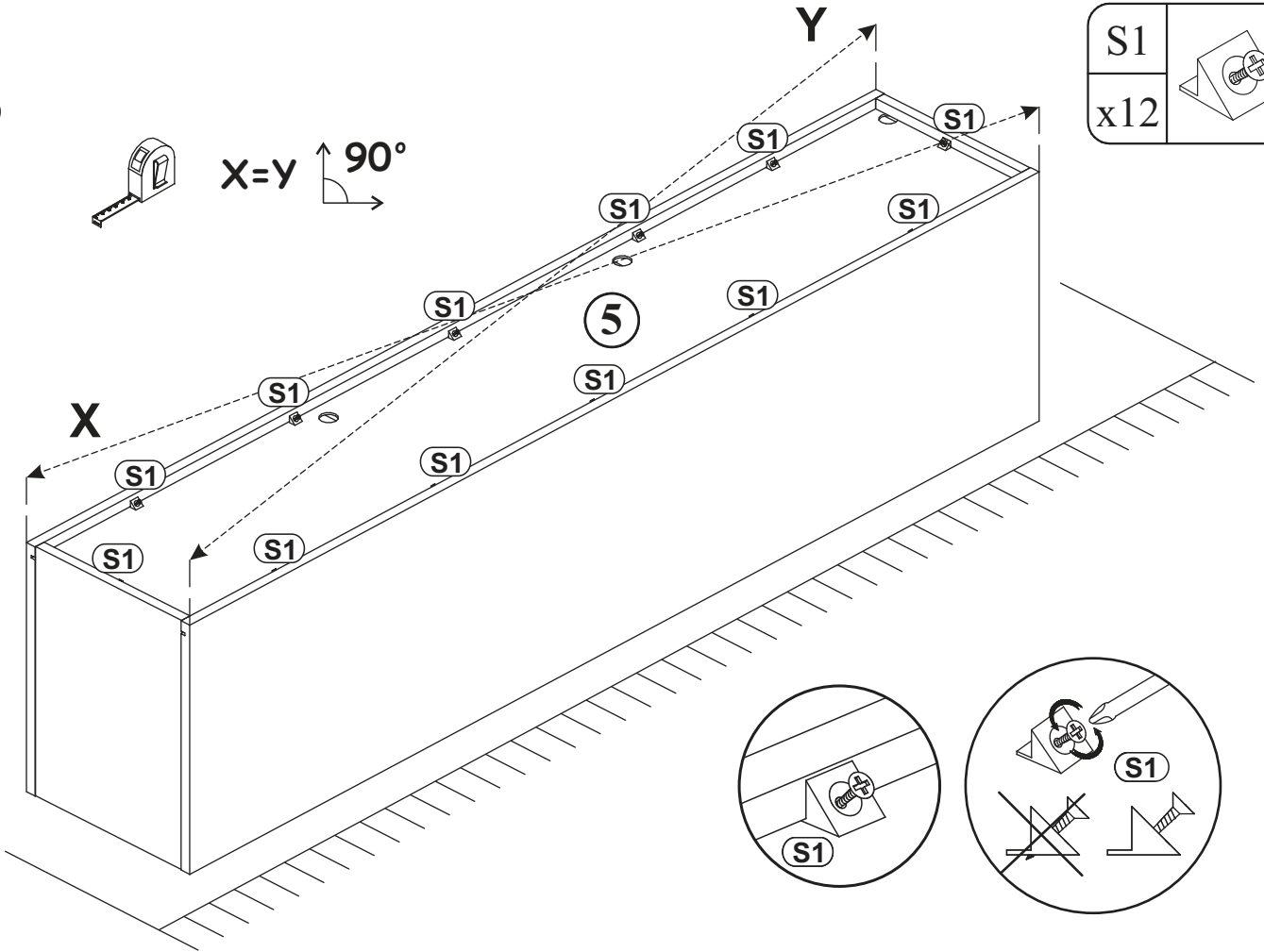
c)



5



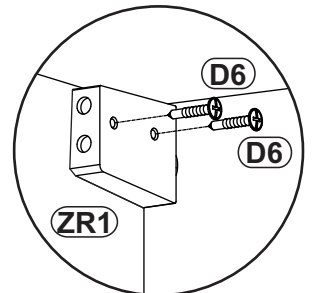
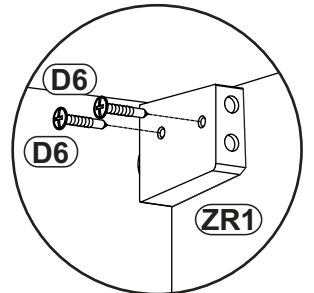
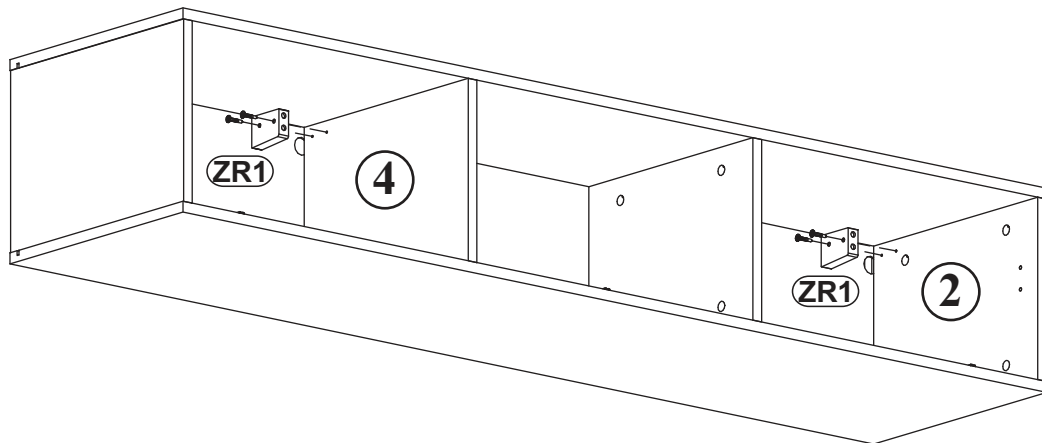
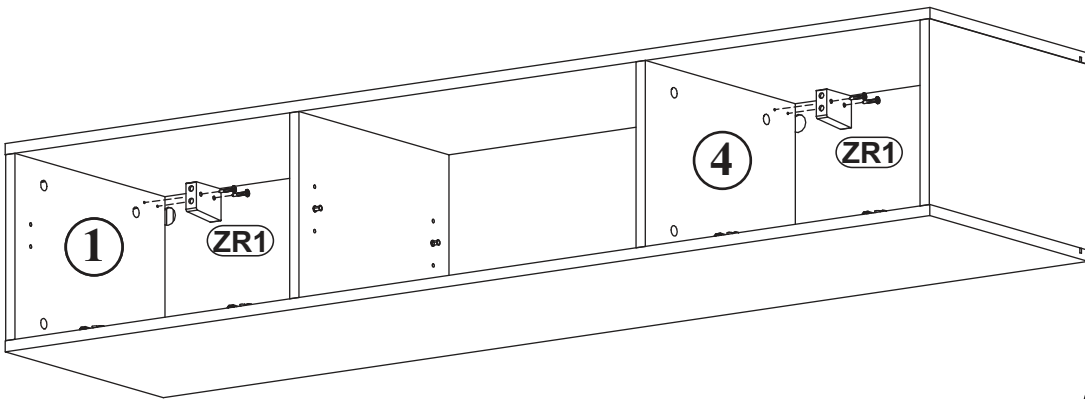
| | |
|-----|--|
| S1 | |
| x12 | |



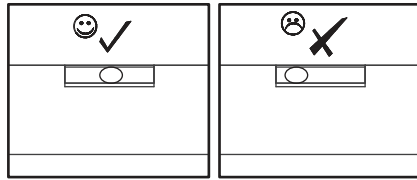
6

| | |
|-----|--|
| ZR1 | |
| x4 | |


| | |
|----|------------------|
| D6 | US09/64"x1 3/16" |
| x8 | USØ3,5x30 |

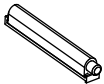



7

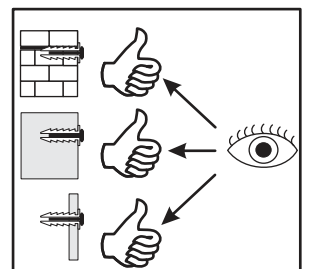
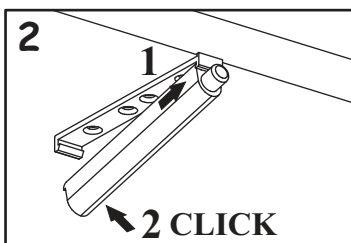
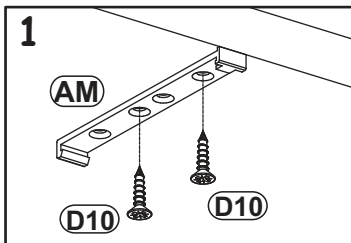
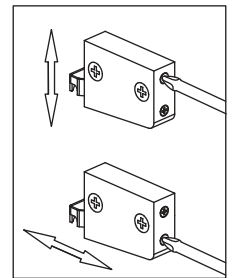
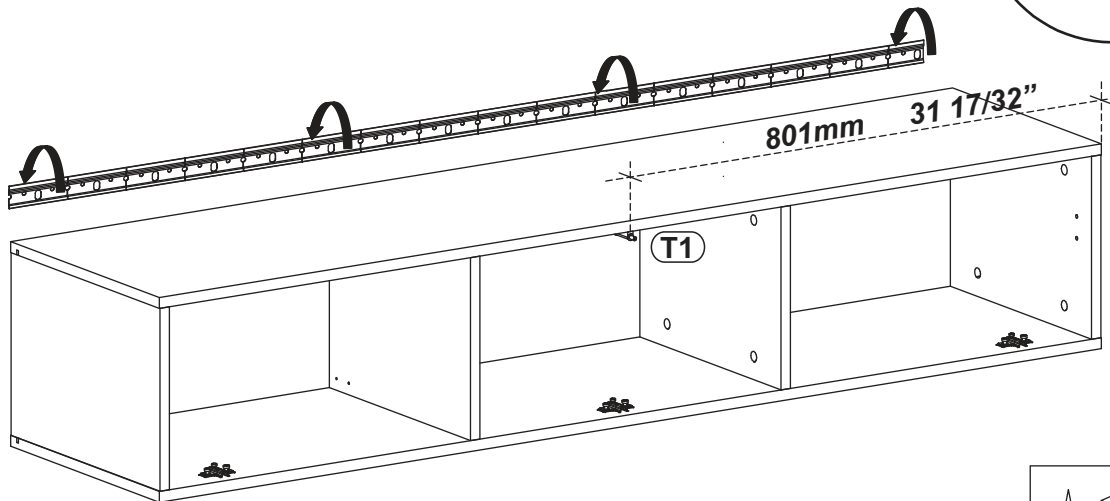
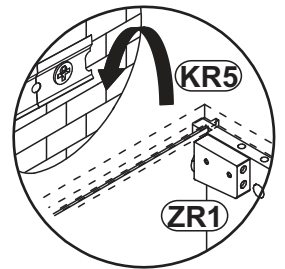
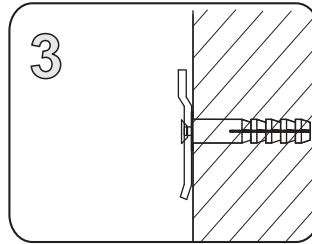
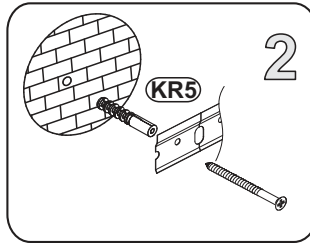
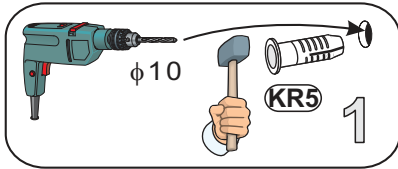
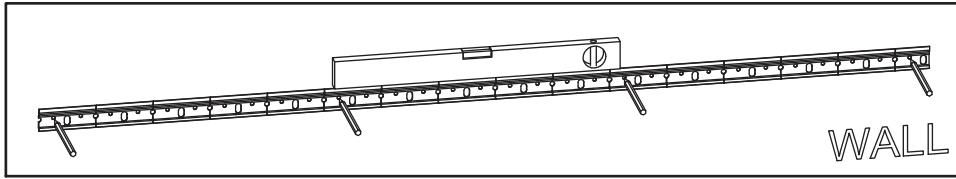


| | |
|-------------|--------------------------------|
| KR5 SFXP | Ø 25/64"/1 31/32" x2 23/64" |
| | Ø10/50x60 |

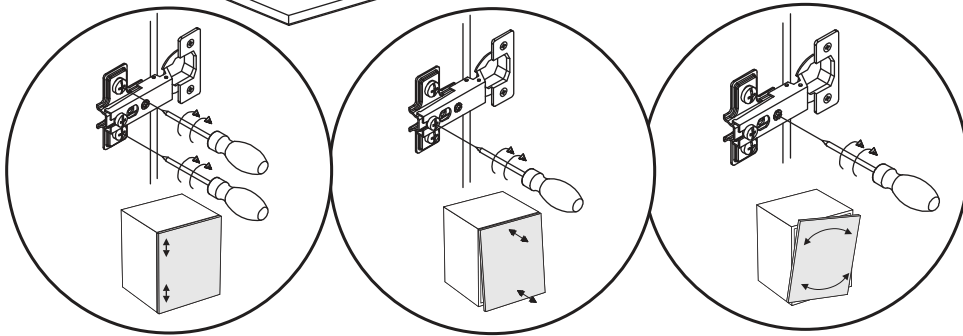
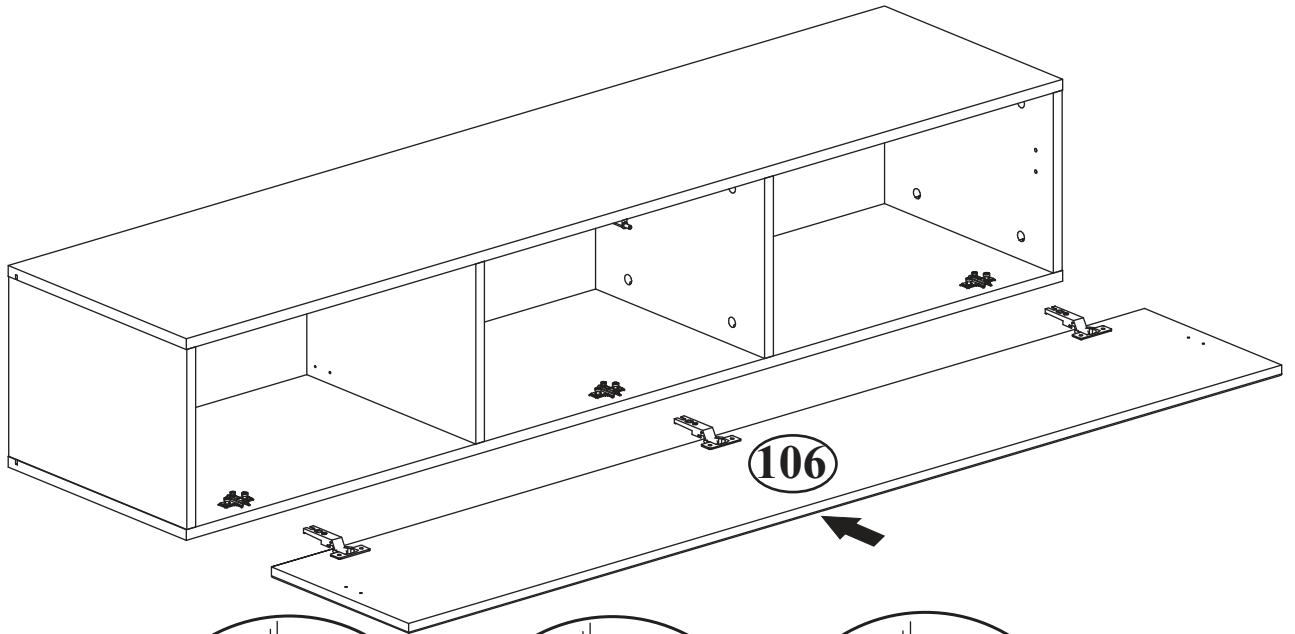
| | |
|-----|---|
| SZ9 | L=61 37/64" |
| x1 |  L=1564mm |

| | |
|----|---|
| AM |  |
| x1 | |

| | |
|-----|--|
| D10 | US09/64"x33/64" |
| x2 |  USØ3,5x13 |



8



9

| | | | |
|-----|-----------------|-----|--|
| D10 | US09/64"x33/64" | G21 | |
| x4 | USØ3,5x13 | x2 | |
| D7 | US01/8"x5/8" | D7 | |
| x6 | USØ3x16 | x6 | |

