
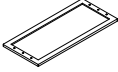
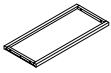
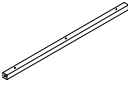



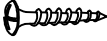




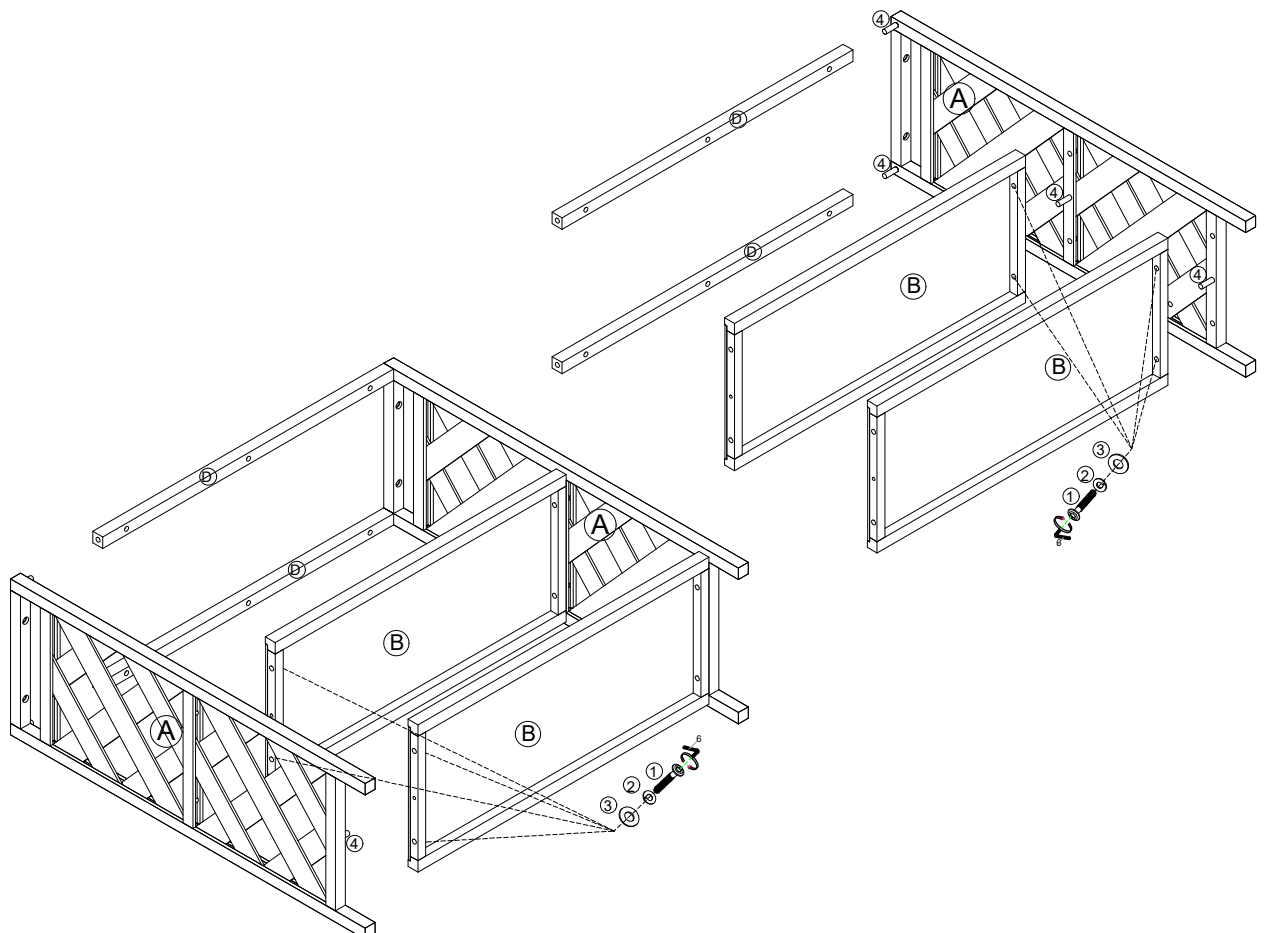
ASSEMBLY INSTRUCTION

Thank you for purchasing this quality product. Be sure to check all packing material carefully for small parts which may have come loose inside the carton during shipment. Separate, identify and count all parts and metal hardware. Compare with parts list to be sure all parts are present. If any part(s) are missing or damaged, please contact your local furniture dealer. For efficient and speedy service, please indicate the model number and code letter of part(s) needed.

*** Do not fully tighten screws until fully assembled ***

No.	COMPONENT LIST		Q'ty	No.	COMPONENT LIST		Q'ty
(A)		Bookcase Frame	2pcs	(C)		Bookcase Top	1pc
(B)		Shelves	2pcs	(D)		Top bars	2pcs
No.	HARDWARE LIST		Q'ty	No.	HARDWARE LIST		Q'ty
1		Bolts 1/4x1.2"	12pcs	4		Wood Dowel Ø0.4x1.2"	10pcs
2		Lock Washer 1/4	12pcs	5		Screws Ø0.2x1.2"	6pcs
3		Flat Washer 1/4	12pcs	6		Allen key K4	1pc

Step 1: Assembly part (B),(D) to (A). Use Wood dowel (4) Positioning. Then use Bolts (1), Lock washers (2), Flat washers (3). Fully tighten all Bolts places with Allen key (6).

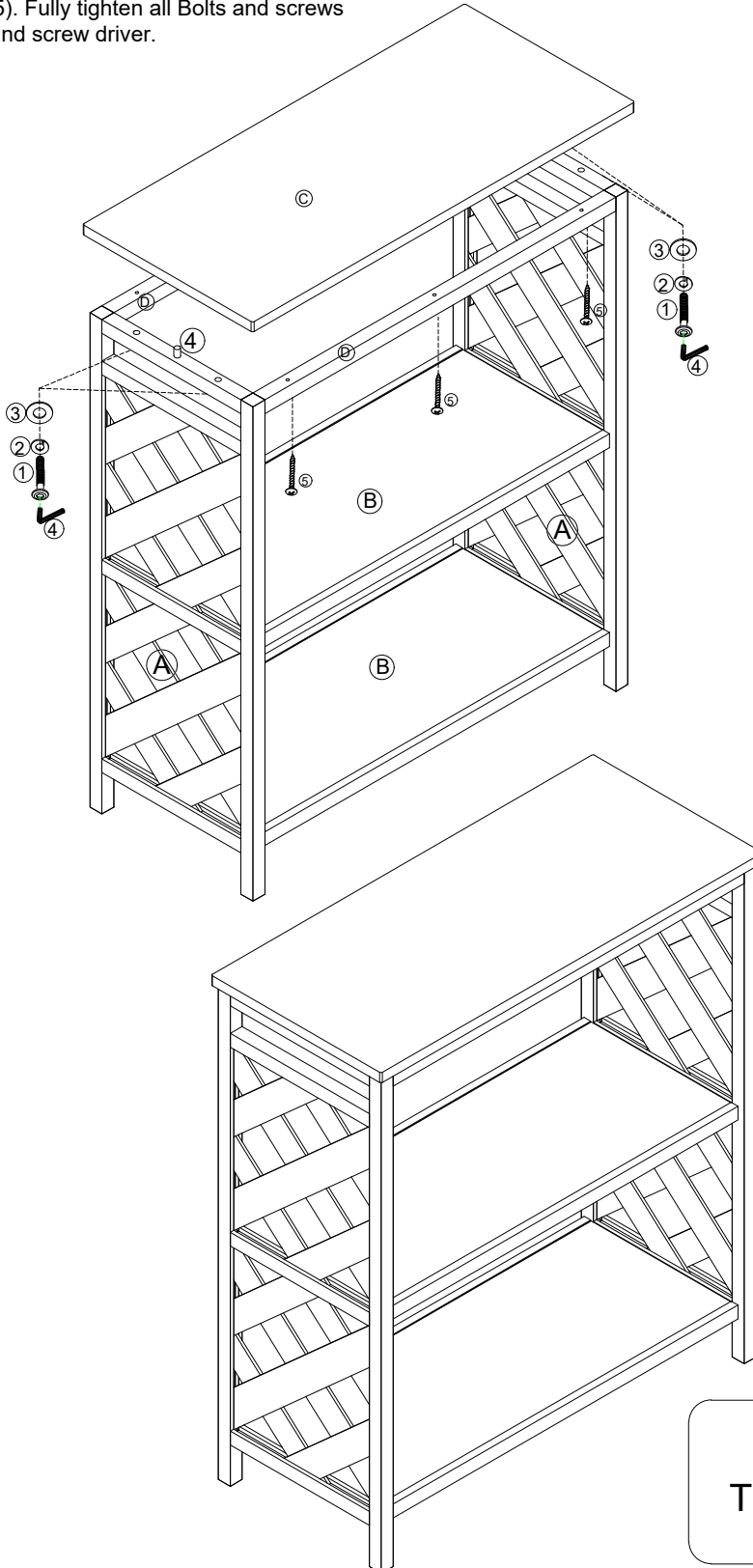


ASSEMBLY INSTRUCTION

Thank you for purchasing this quality product. Be sure to check all packing material carefully for small parts which may have come loose inside the carton during shipment. Separate, identify and count all parts and metal hardware. Compare with parts list to be sure all parts are present. If any part(s) are missing or damaged, please contact your local furniture dealer. For efficient and speedy service, please indicate the model number and code letter of part(s) needed.

***** Do not fully tighten screws until fully assembled *****

Step 2: Assembly part (C) to (D) and (A). Use Wood dowel (4) Positioning. Then use Bolts (1), Lock washers (2), Flat washers (3) and screws (5). Fully tighten all Bolts and screws places with Allen key (6) and screw driver.



**FINISH .
THANK YOU !**