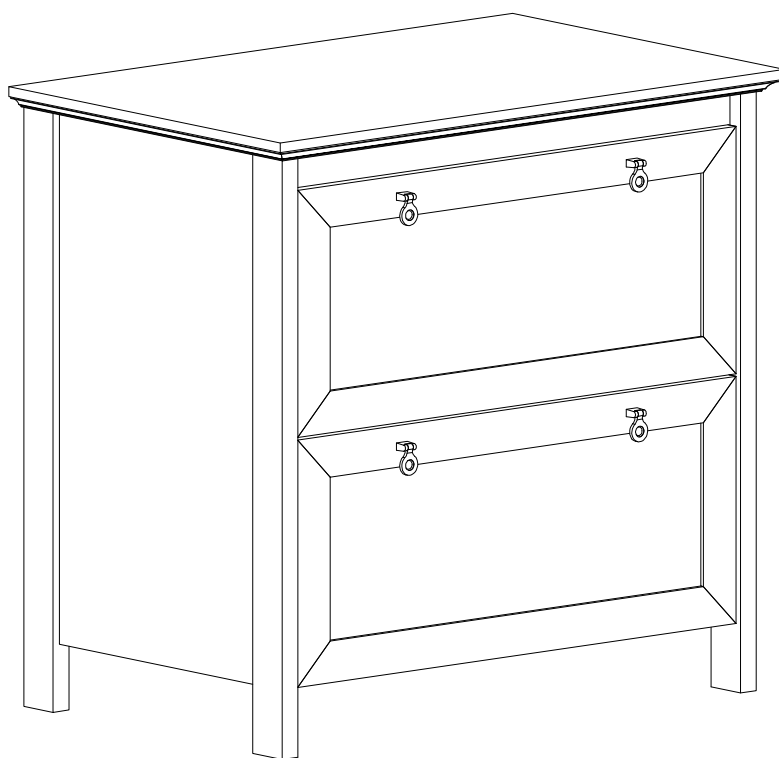
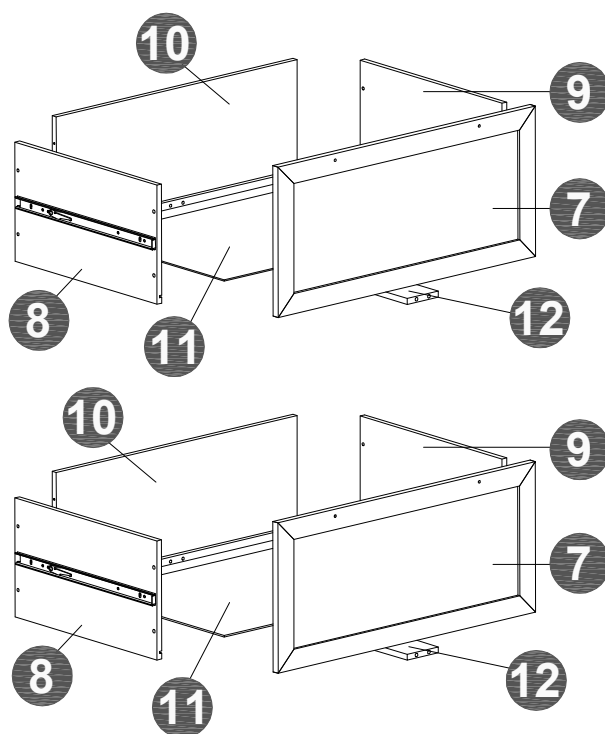
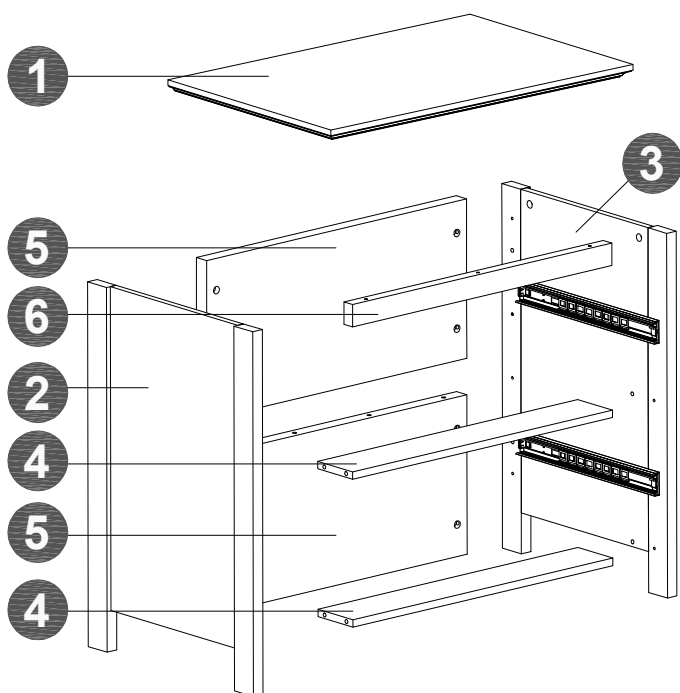


ASSEMBLY INSTRUCTIONS

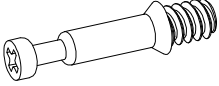

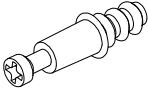



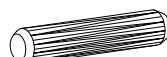
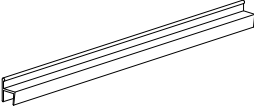
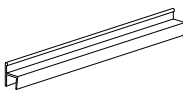


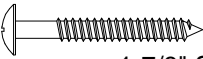



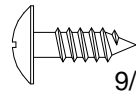
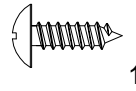
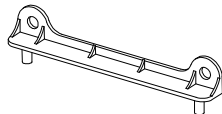
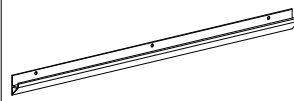
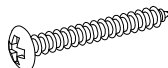
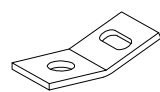
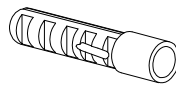

PARTS LIST

- | | | | | |
|-------|-------|------|------|-------|
| 1 X1 | 2 X1 | 3 X1 | 4 X2 | 5 X2 |
| 6 X1 | 7 X2 | 8 X2 | 9 X2 | 10 X2 |
| 11 X2 | 12 X2 | | | |



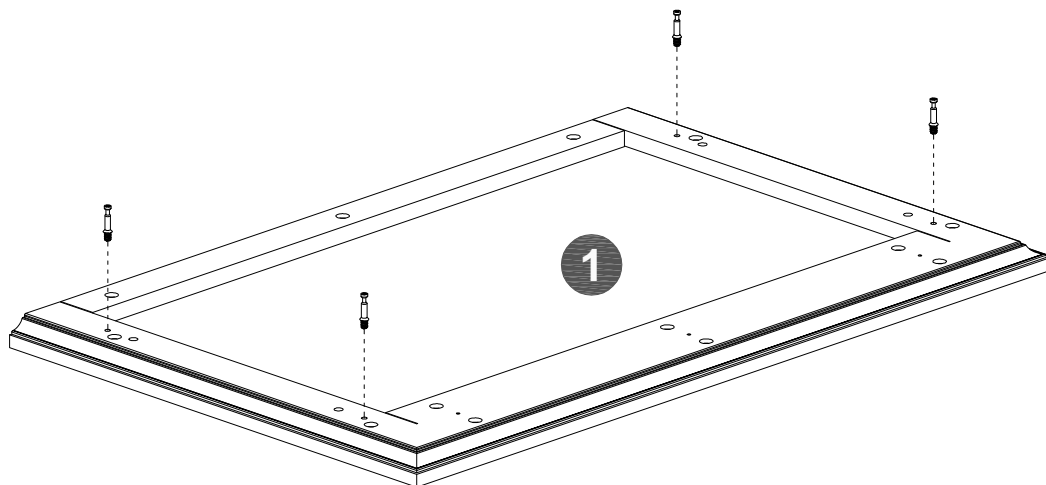
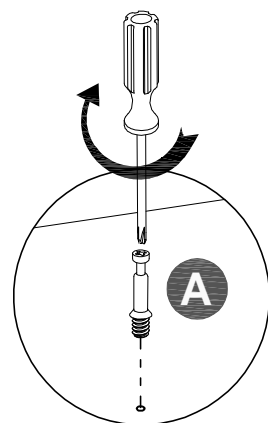
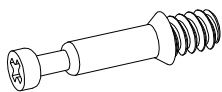
HARDWARE LIST

Name	Part	Qty.	Spare
A		16	1
B		16	1
C		4	
D		4	
E		12	1
F		4	
G		4	
H		2	
I		4	
J		4	
K		4	1
L	 1-7/8" Screw	3	
M	 1-1/2" Screw	12	

Name	Part	Qty.	Spare
N	 9/16" Screw	8	
O	 1/2" Screw	14	1
S		4	
Y		2	
U1		4	
U3		4	
U4		2	
U5		2	

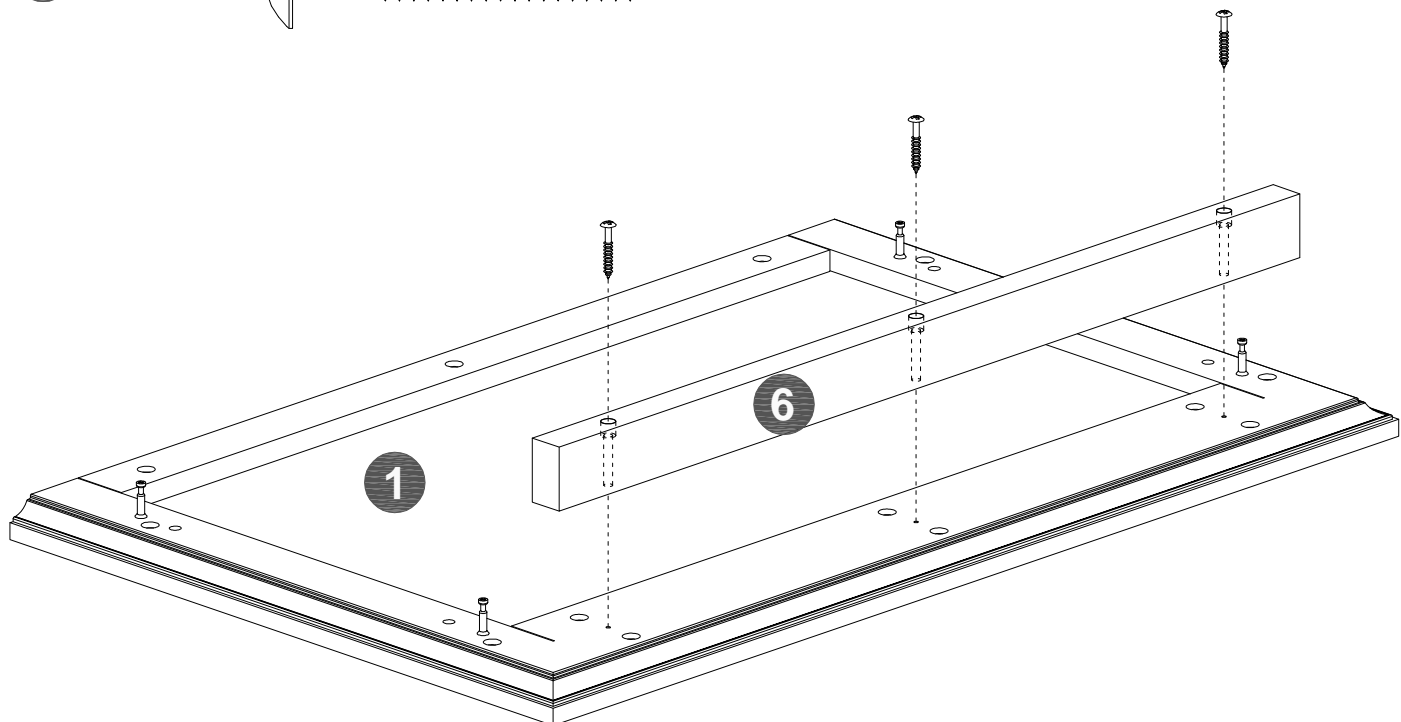
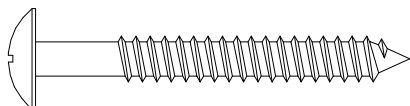
STEP 1

A x4pcs



STEP 2

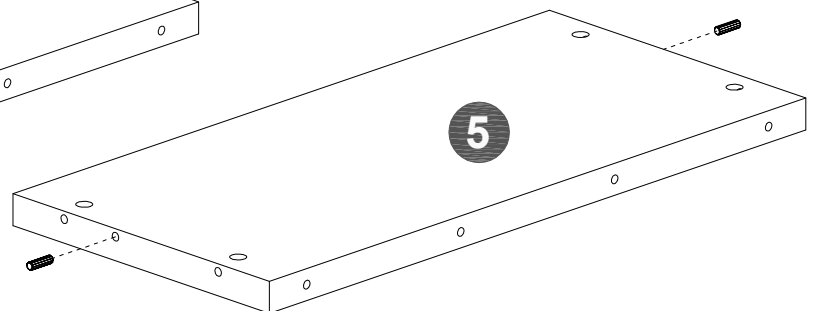
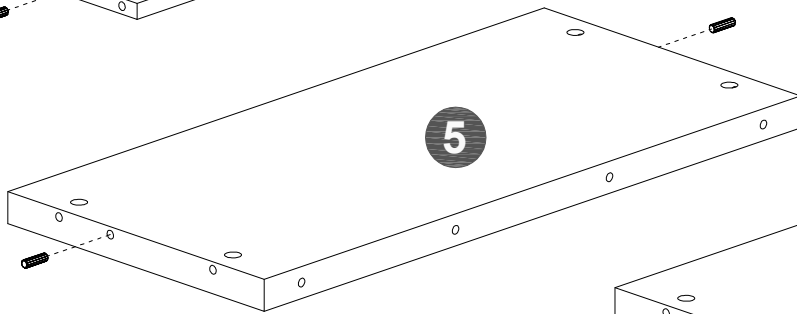
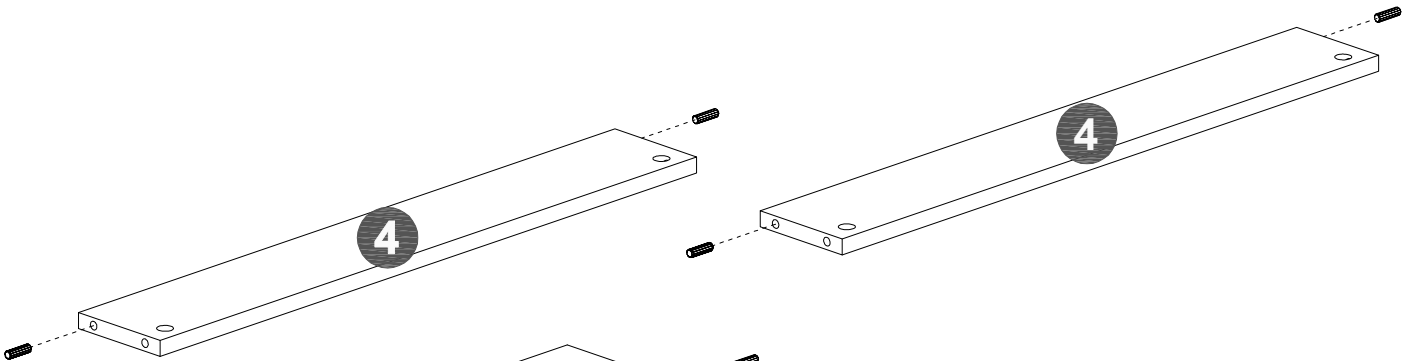
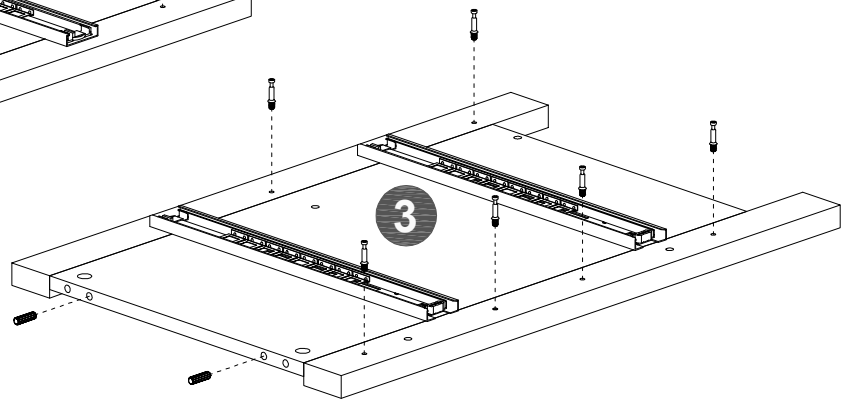
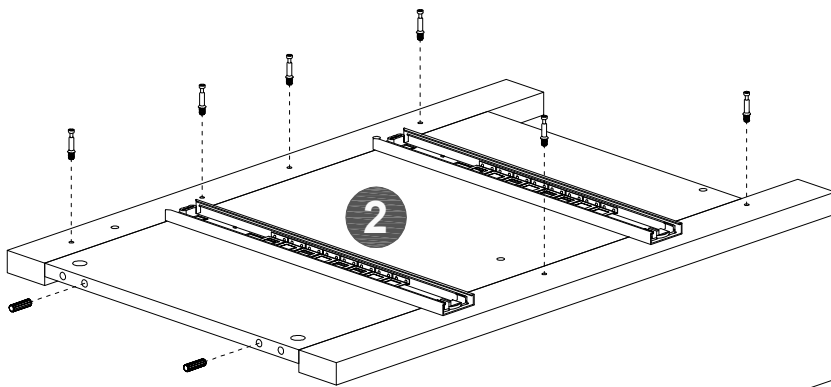
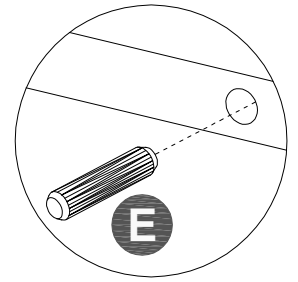
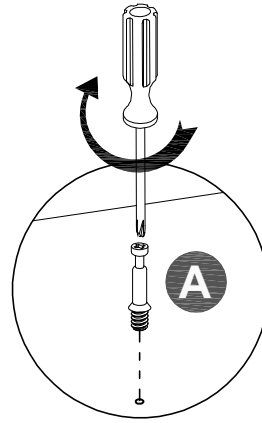
L x3pcs



STEP 3

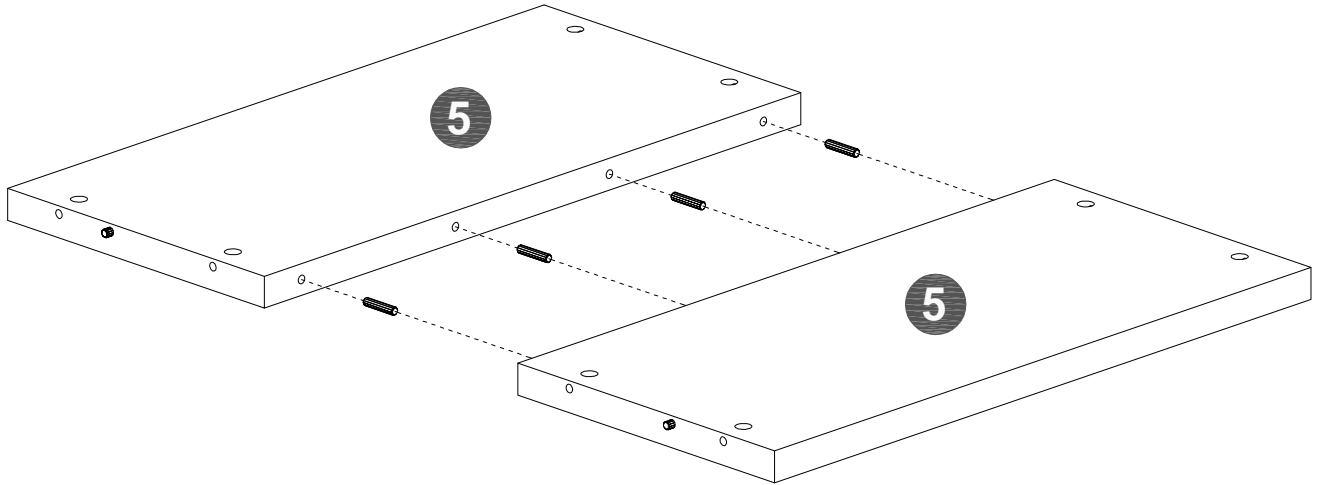
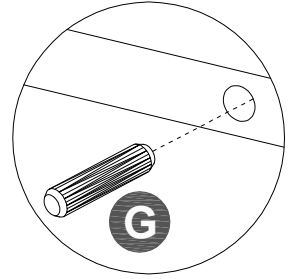
A x12pcs 

E x12pcs 



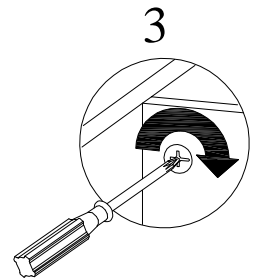
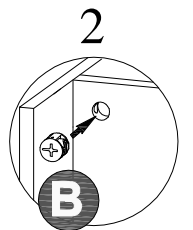
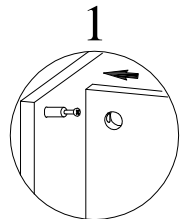
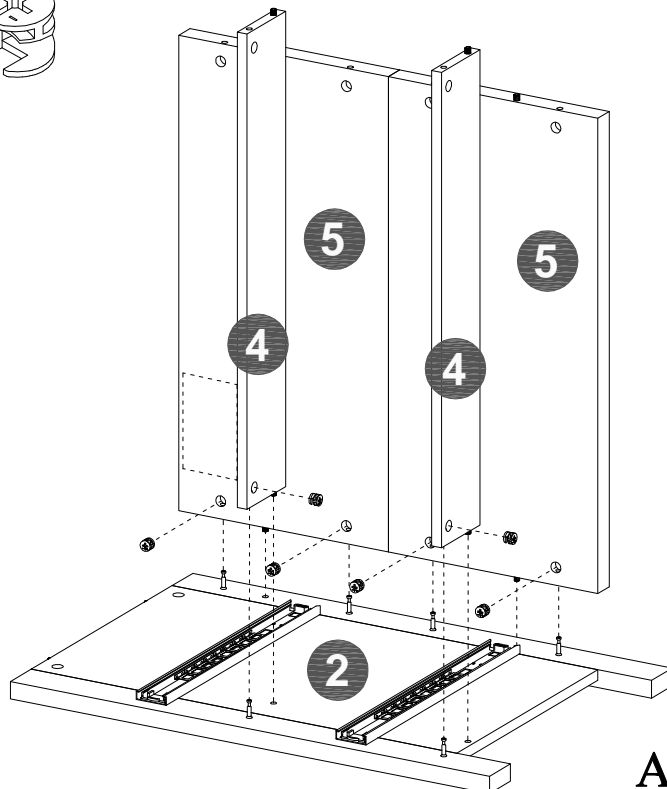
STEP 4

G x4pcs



STEP 5

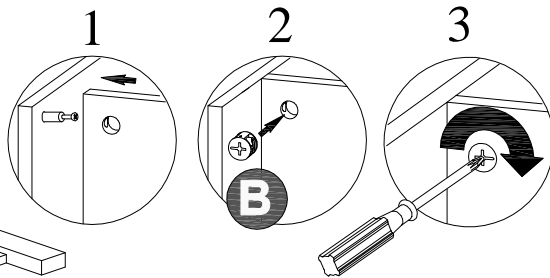
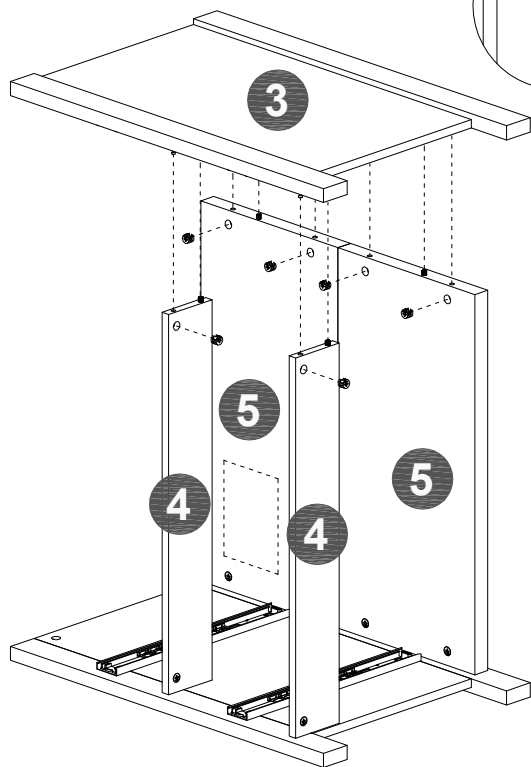
B x6pcs



An assistant is required.

STEP 6

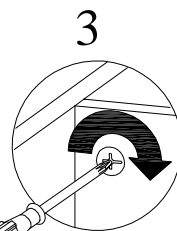
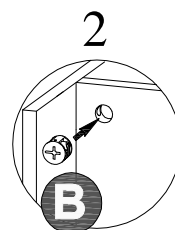
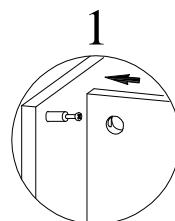
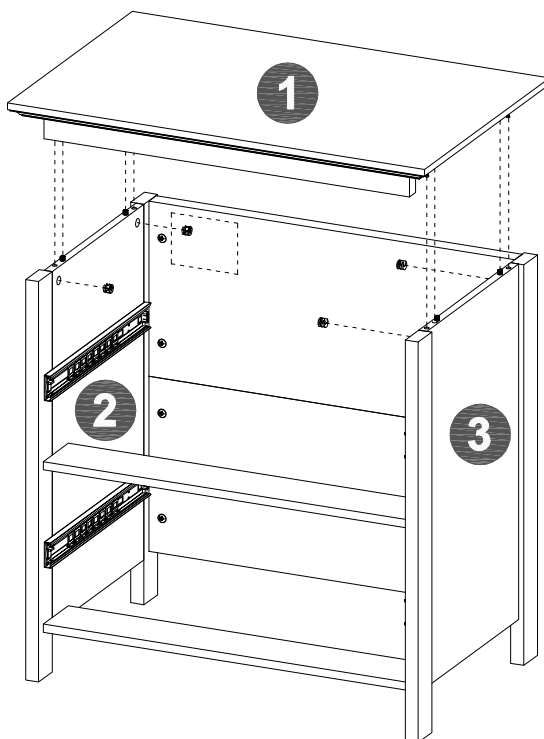
B x6pcs



An assistant is required.

STEP 7

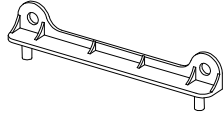
B x4pcs



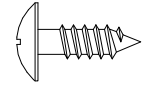
With assistant carefully stand unit up.

STEP 8

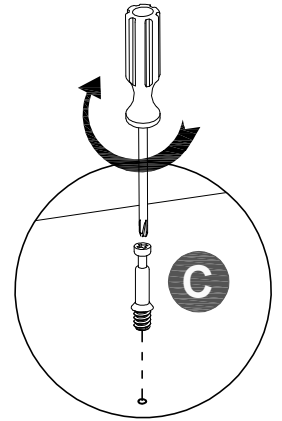
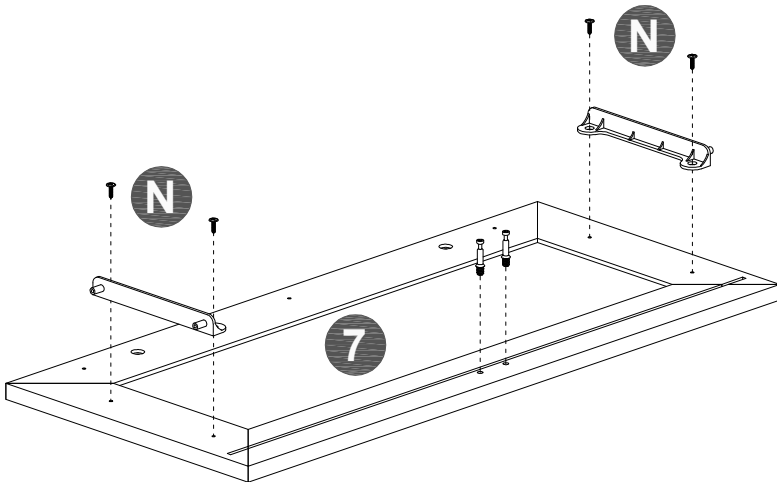
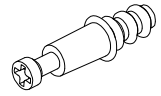
S x4pcs



N x8pcs



C x4pcs



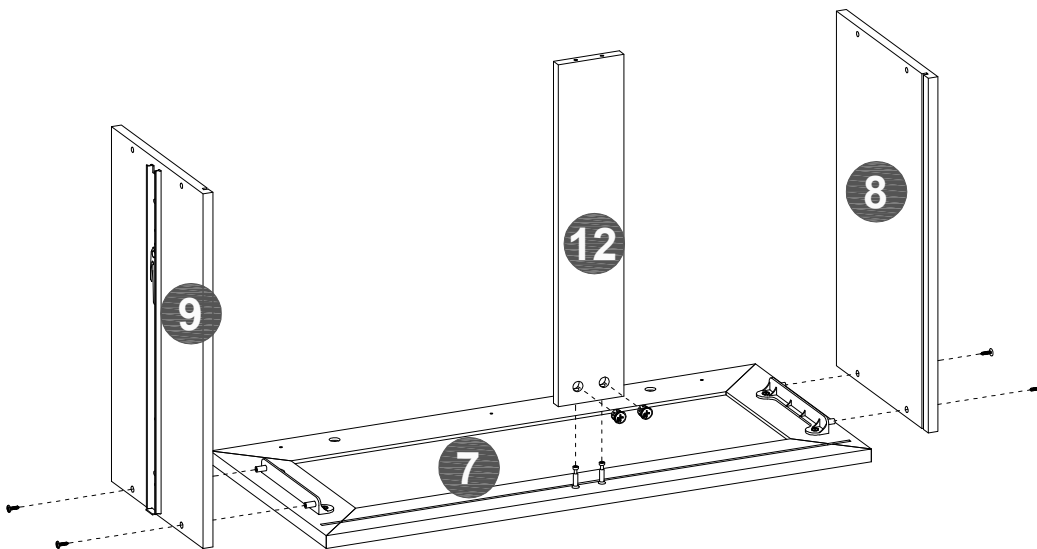
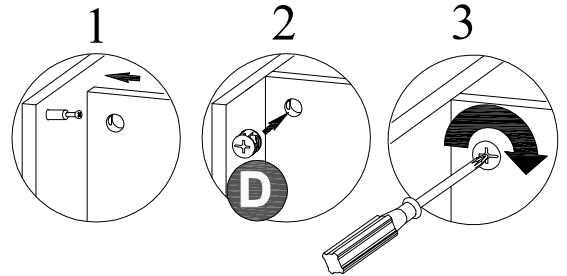
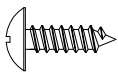
x 2

STEP 9

D x4pcs



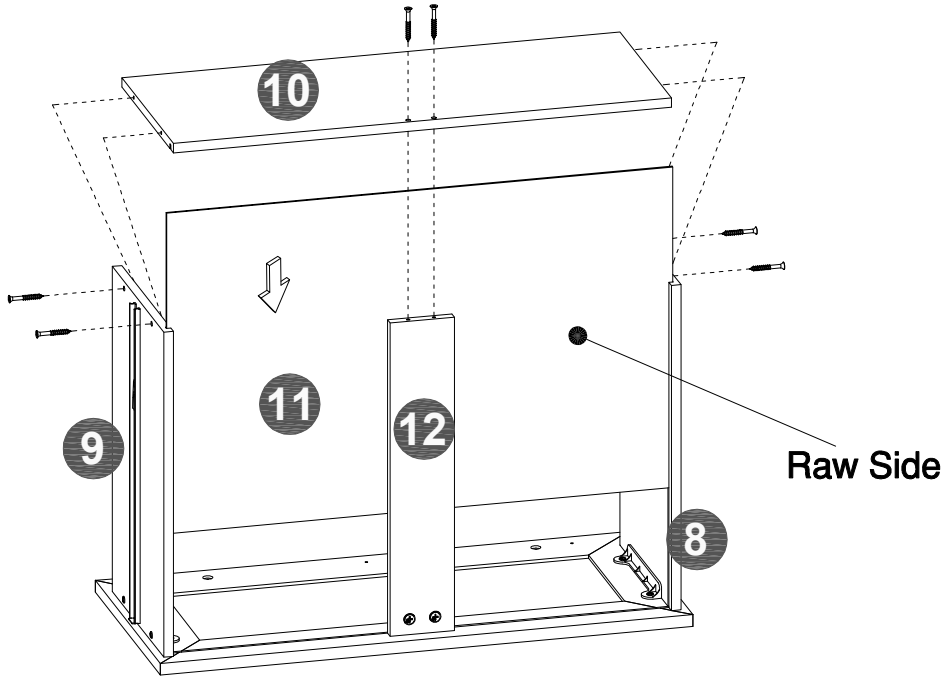
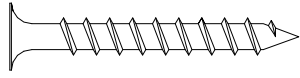
O x8pcs



x 2

STEP 10

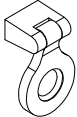
M x12pcs



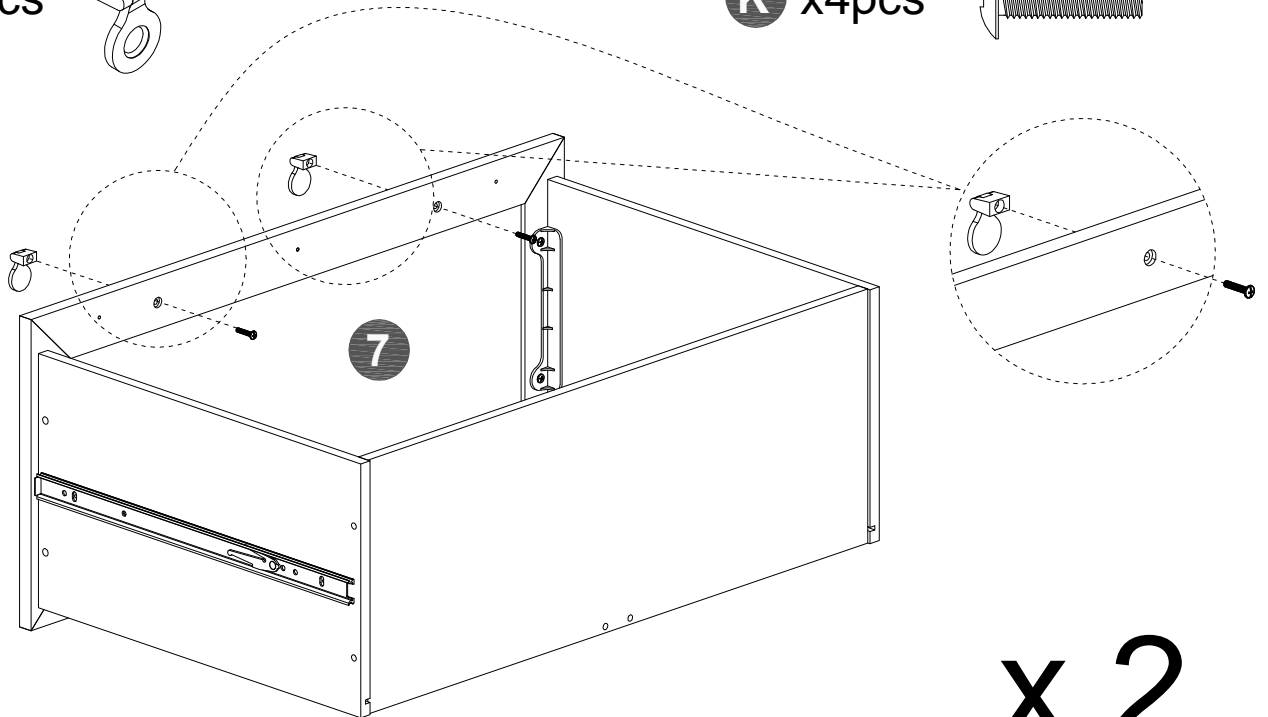
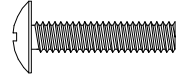
x 2

STEP 11

F x4pcs



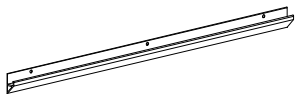
K x4pcs



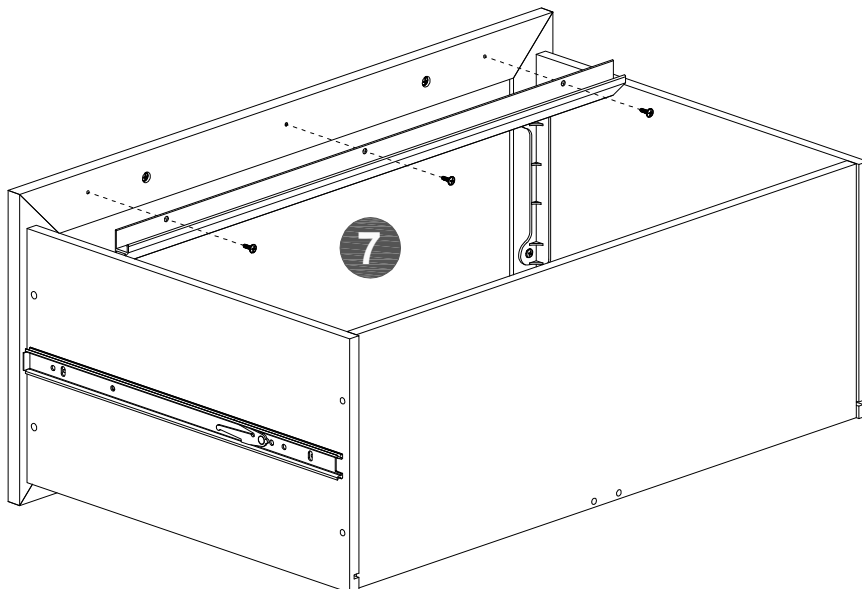
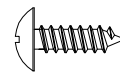
x 2

STEP 12

Y x2pcs



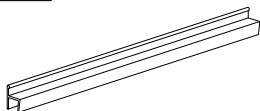
O x6pcs



x 2

STEP 13

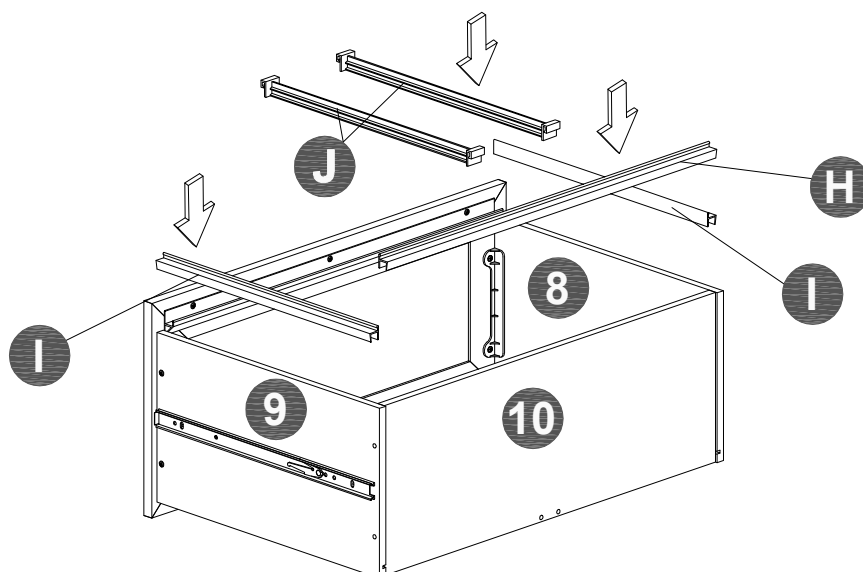
H x2pcs



I x4pcs



J x4pcs



x 2

STEP 14

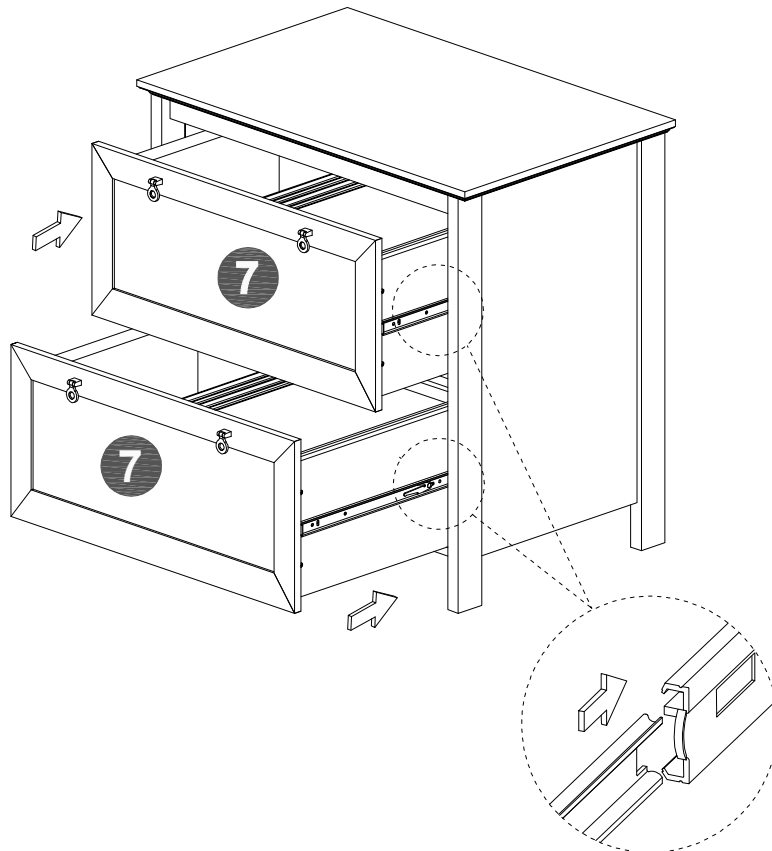
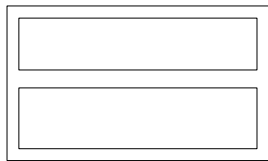
- Move unit to final location.
- Adjust drawer fronts as shown below.

Step1--Loosen screws on back of drawer front brackets as shown.

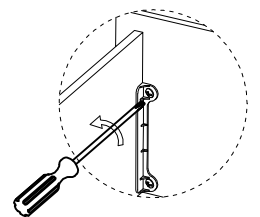
Step2--Position drawer front as required.

Step3--Tighten screws while holding drawer front in position.

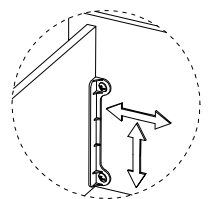
DRAWER FRONT VIEW



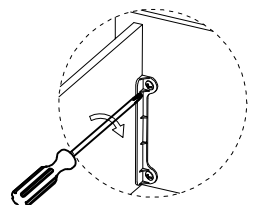
STEP 1.



STEP 2.



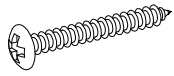
STEP 3.



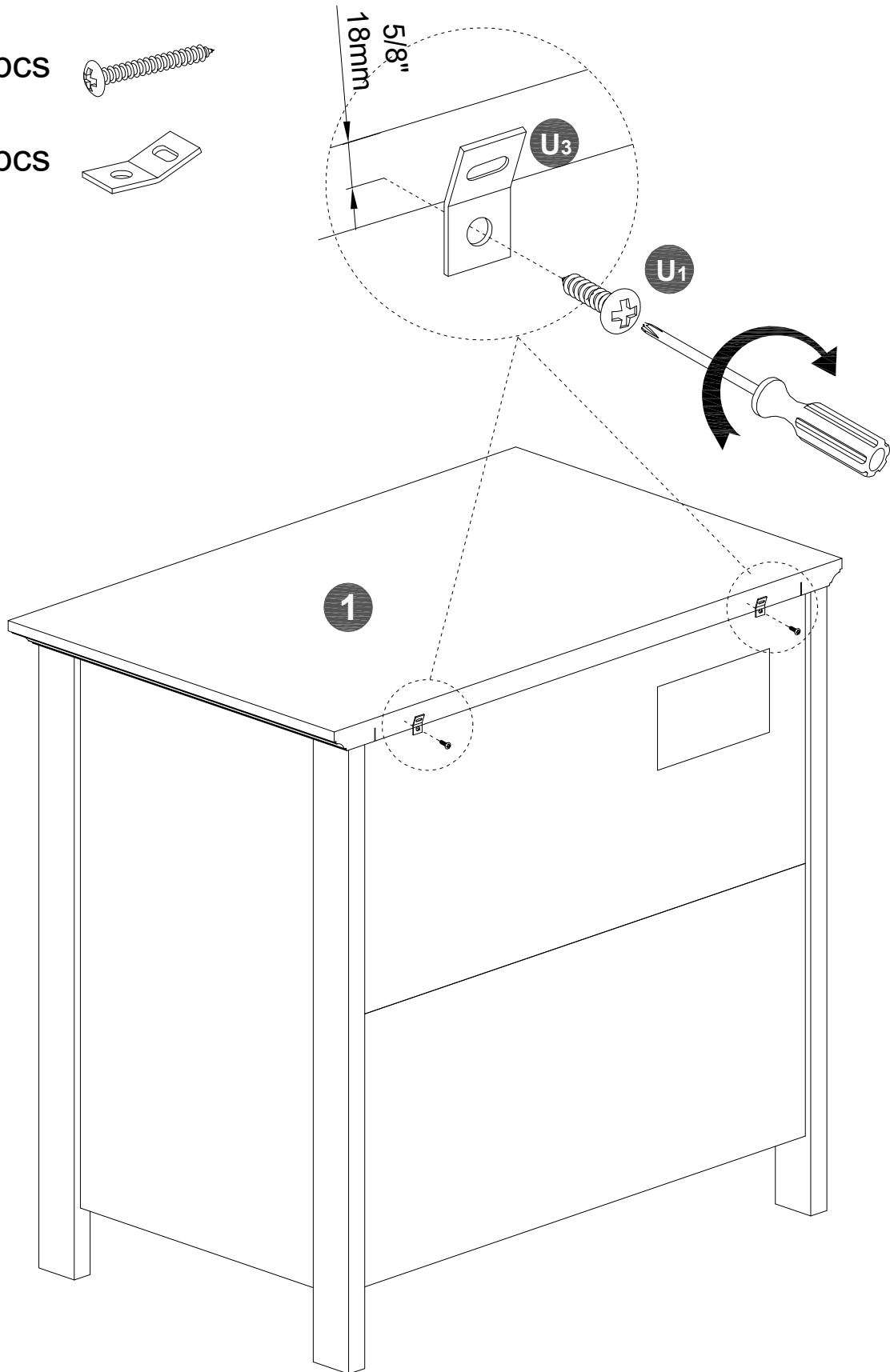
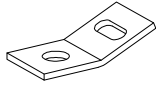
An assistant is required.

STEP 15

U₁ x2pcs

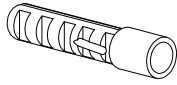


U₃ x2pcs

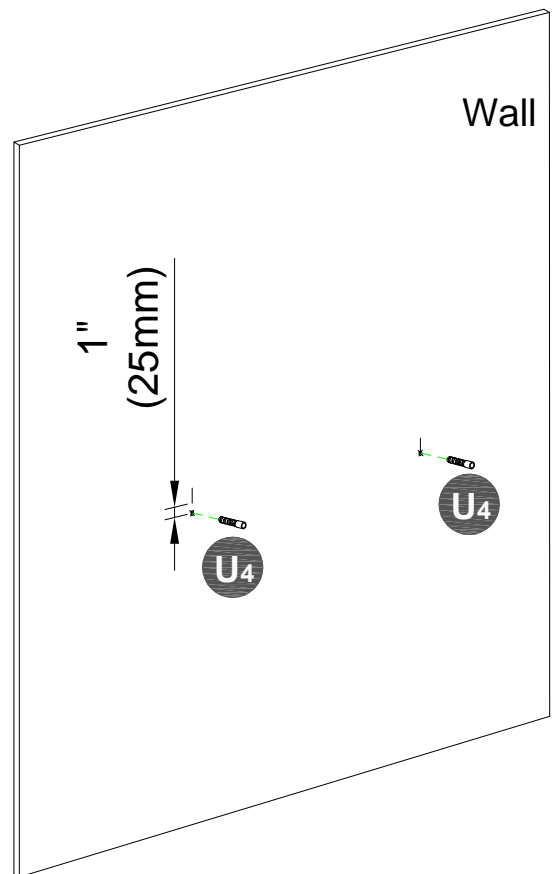
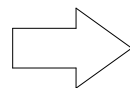
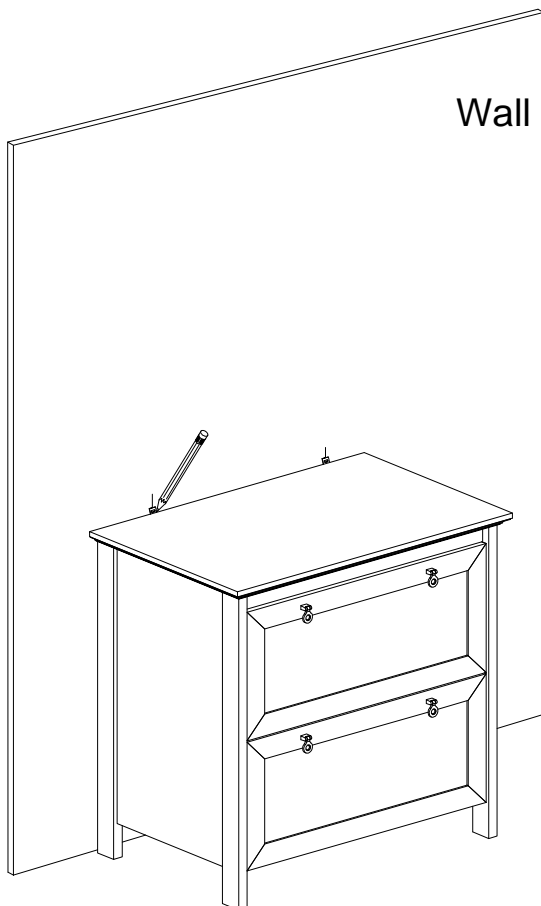
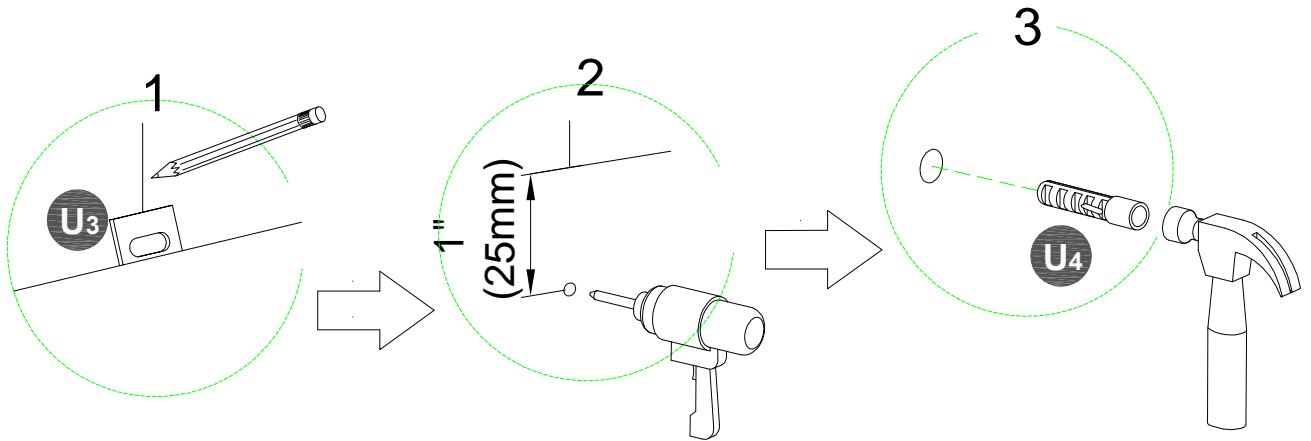


STEP 16

U₄ x2pcs



1. Place unit in desired location.
2. Mark stud location on the wall, 1" below top and side of unit.
3. Drill 5/16" hole 2" deep at marks on the wall.

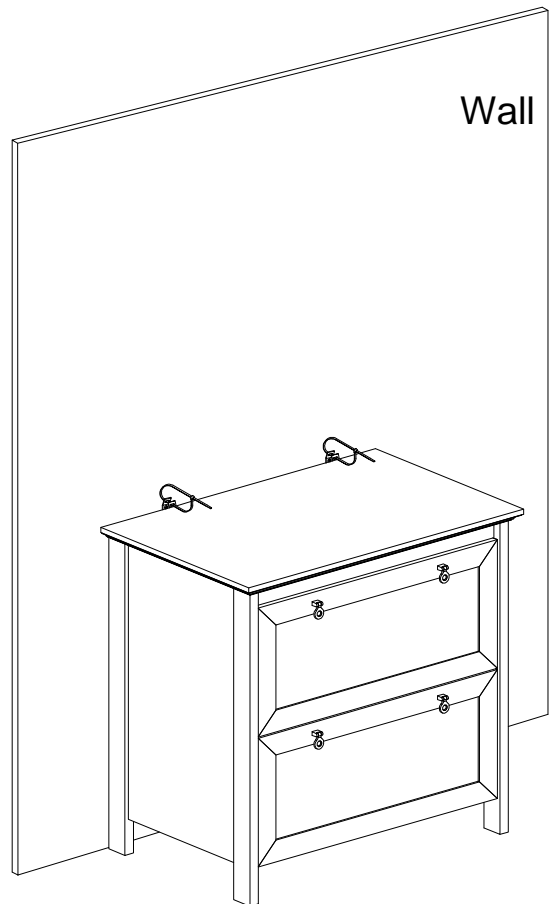
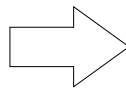
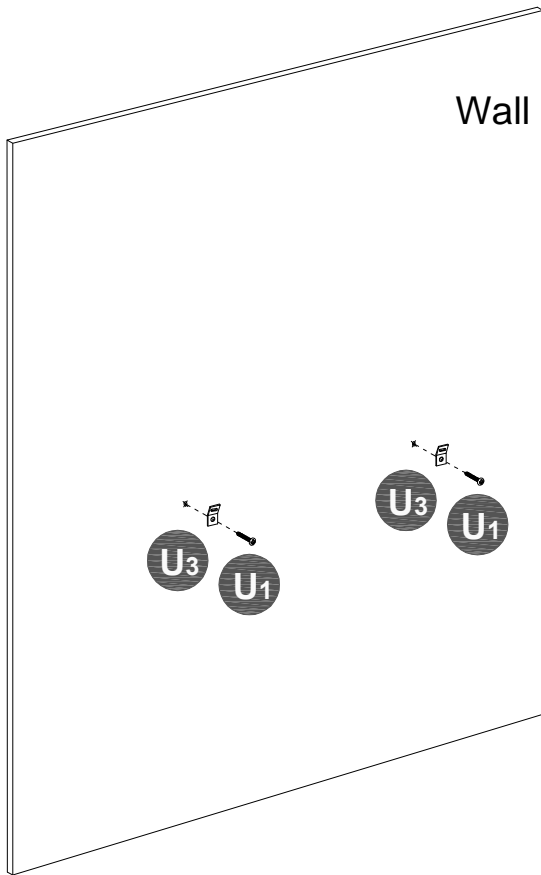
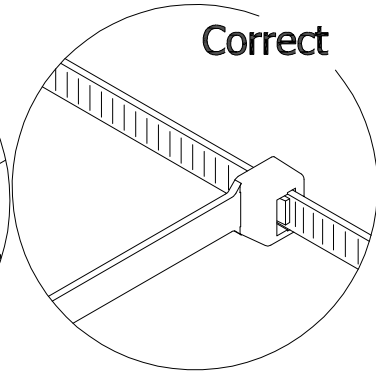
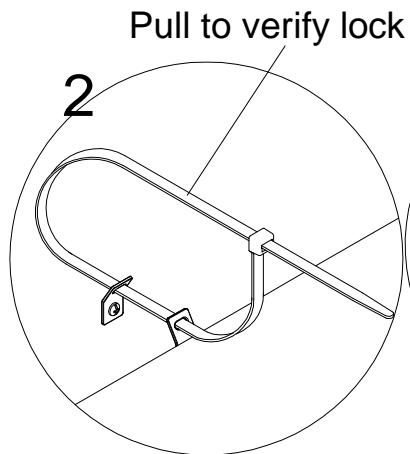
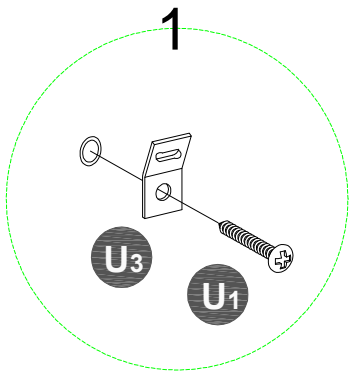


STEP 17

U₁ x2pcs 

U₅ x2pcs 

U₃ x2pcs 



Maximum weight capacities

