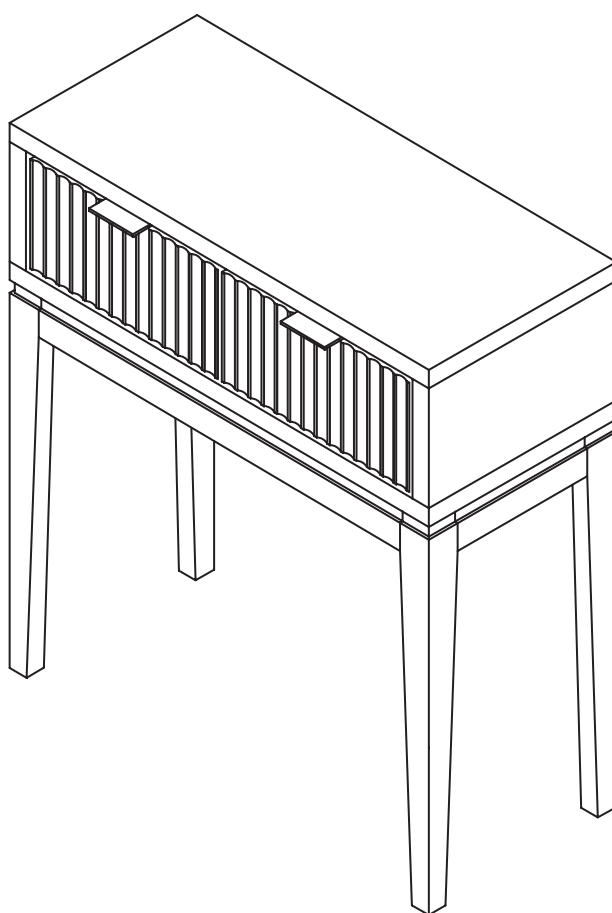


Let's build the

Console Table



Ok, let's get rolling

This should be easy, just follow our instructions and you will be back to Netflix in no time.

Estimated time for assembly



25:00

What you need

- Some of your favourite bubbly or your preferred relaxant
- Use the packaging carton as a working surface to prevent product damage during assembly
- Phillips head screwdriver
- Drill
- 1/4" Drill bit
- 5/16" Drill bit

Weight Limitation



100
lbs max capacity



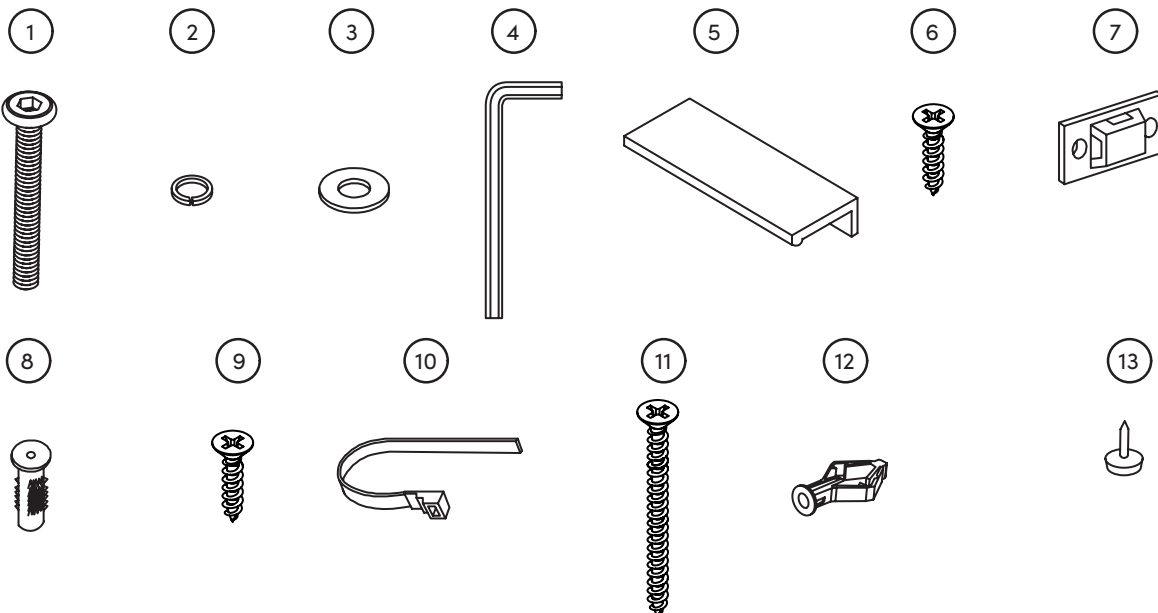
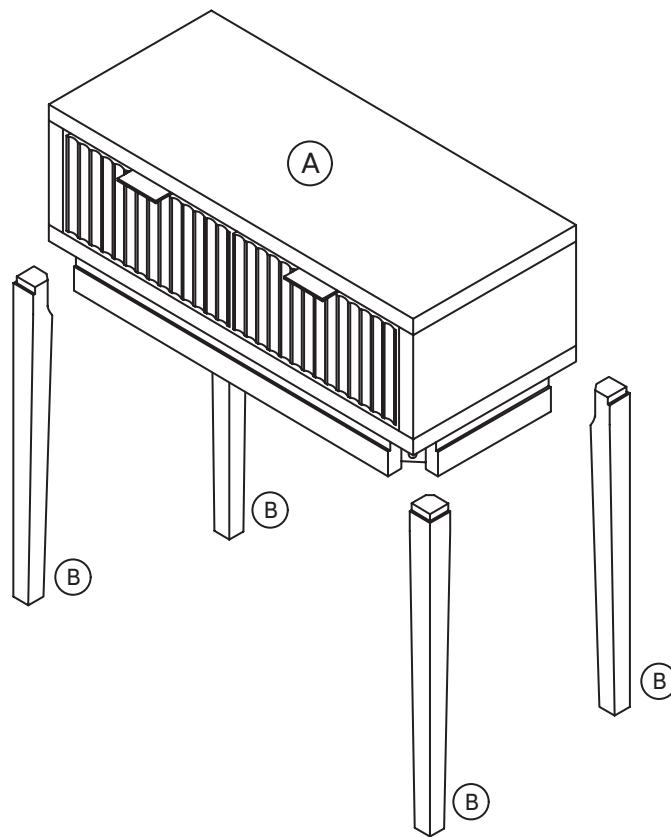
60
lbs tabletop
capacity

20
lbs per drawer
capacity

What's included

	Description	Qty
A	Cabinet Subassembly w/ Drawers	1
B	Leg	4
1	1/4" x 2-3/16" Hex Button Head Bolt	8
2	1/4" x 3/8" Spring Washer	8
3	1/4" x 3/4" Flat Washer	8
4	Allen Key	1
5	Handle	2
6	M3.5*15mm Screw	4
7	Plastic Bracket (for Anti-Tip)	2
8	Non-drywall Wall Anchor	2
9	M3.5*15mm Screw (for Anti-Tip)	2
10	Plastic Tether	1
11	M4*50mm Screw	2
12	Drywall Wall Anchor	2
13	Plastic Nail-in Foot (Extra)	4

The goods

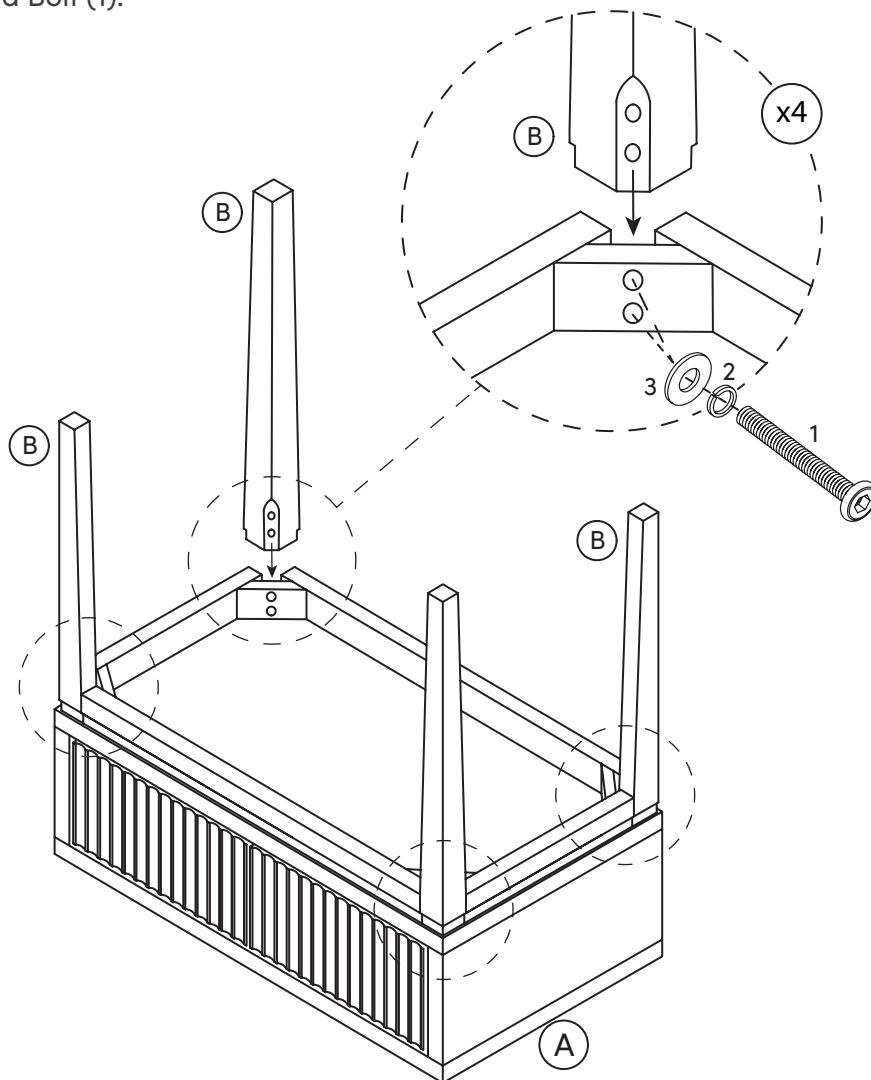


IMPORTANT

1. Do not tighten bolts / screws completely until all bolts / screws are lined up and inserted into holes.
2. Do not over tighten screws and bolts to avoid stripping.
3. Please use hand tools to assemble this product. Do not use power tools.

Step 1

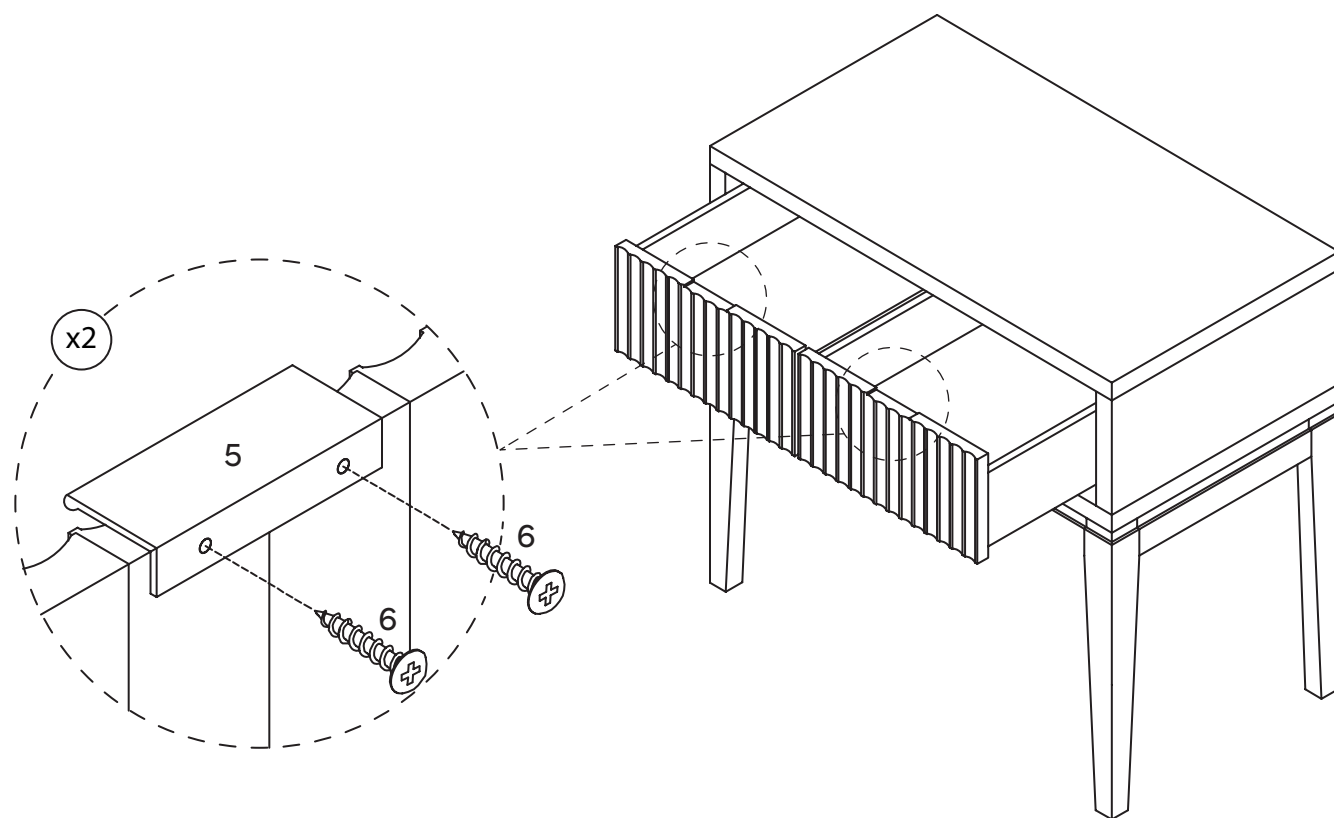
Alright, let's get this thing fired up! First things first, insert the Leg's (B) into the Cabinet Subassembly (A) and secure each leg with a 1/4" x 3/4" Flat Washer (3), 1/4" x 3/8" Spring Washer (2), and 1/4" x 2-3/16" Hex Button Head Bolt (1).



Step 2

Secure the two Handles (5) onto the front of the console table with the M3.5*15mm Screws (6).

Can you believe there's only one more step after this? You're doing great!



Step 3

You made it to the last step!
We're so proud of you.

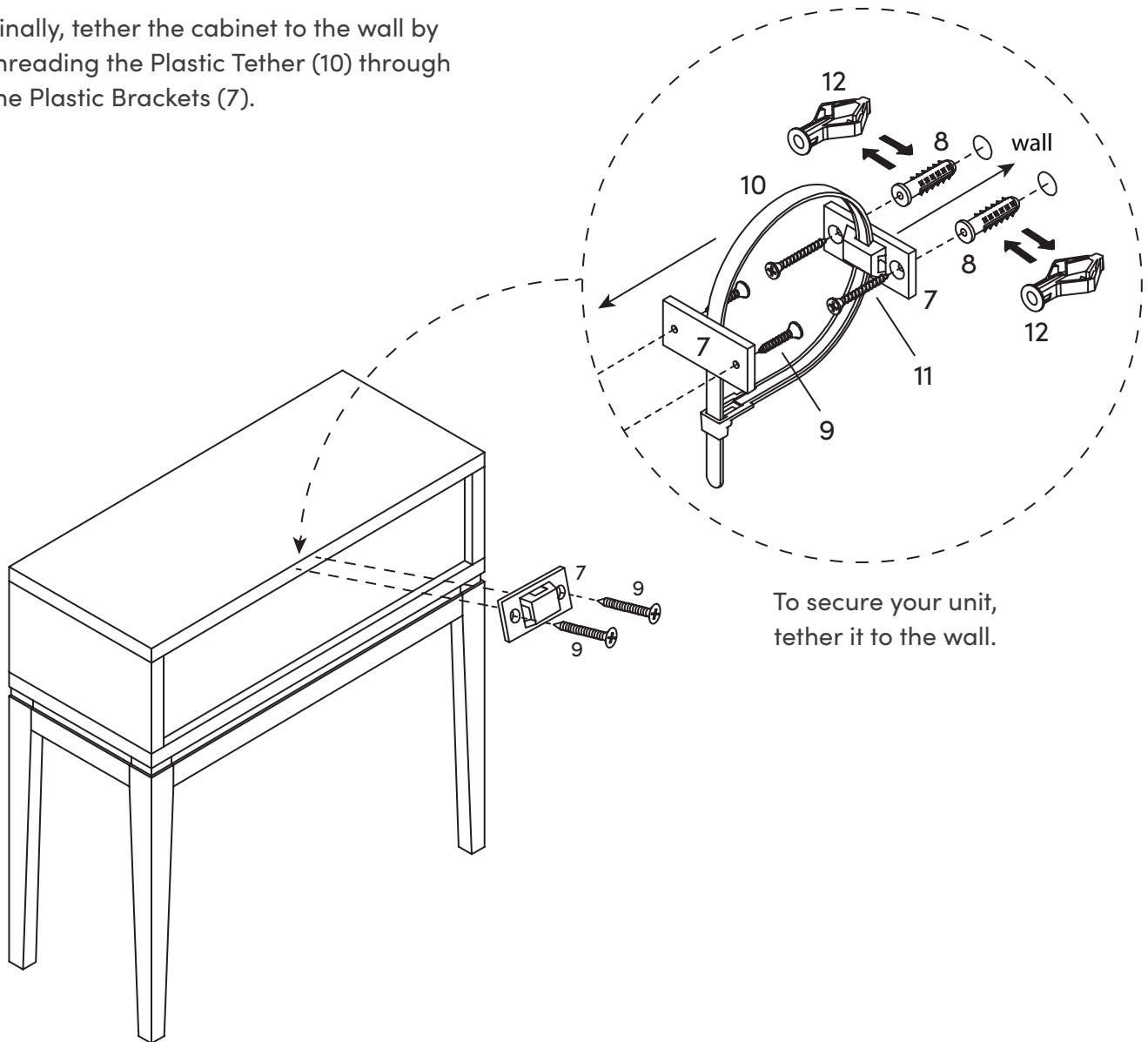
Time to add some extra stability. Attach the Plastic Bracket (7) to the back of the table using the M3.5*15mm Screws (9).

Next, attach the Plastic Bracket (7) to your wall using the Wall Anchors (8) or (12) and M4*50mm Screws (11).

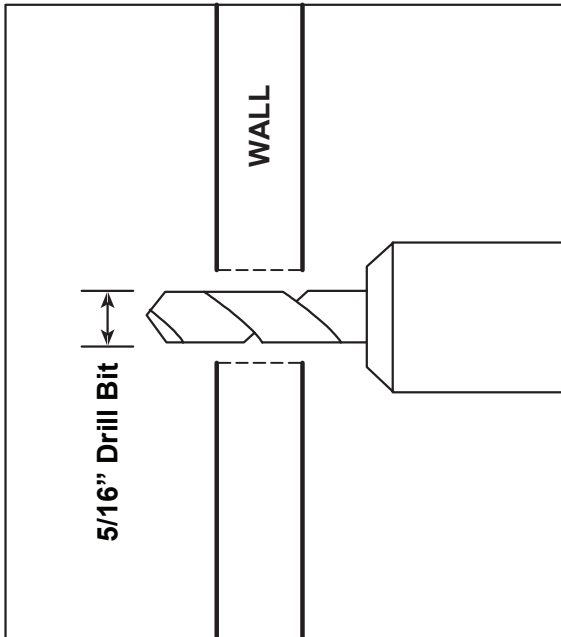
Finally, tether the cabinet to the wall by threading the Plastic Tether (10) through the Plastic Brackets (7).

IMPORTANT NOTE:
Non-Drywall requires Non-Drywall Anchor (8).
Drill holes using 1/4" drill bit.

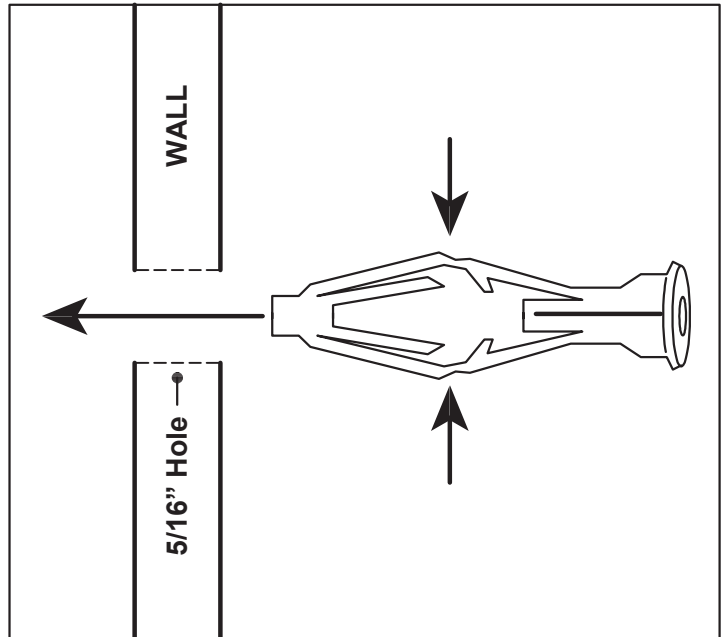
Drywall requires Drywall Anchor (12).
Drill holes using 5/16" drill bit.



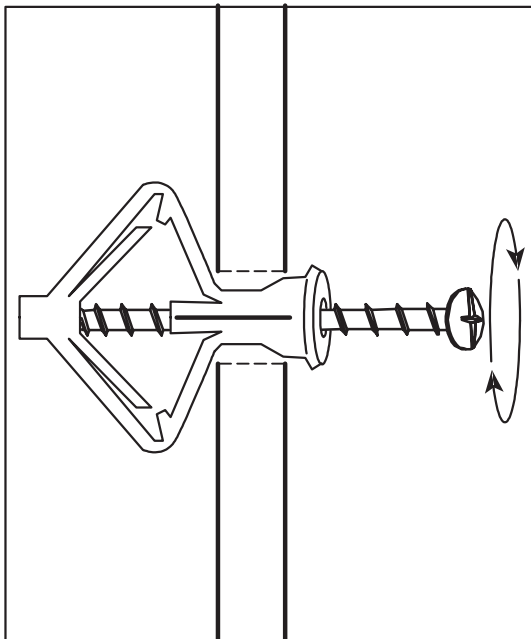
How to use Drywall Anchors



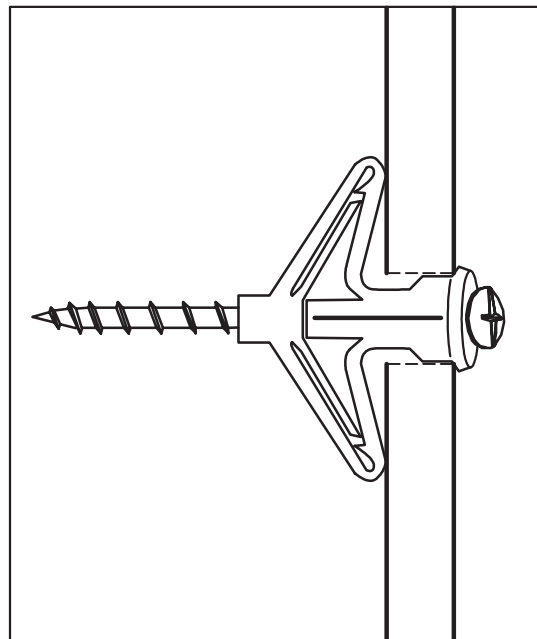
1. Drill hole with 5/16" bit.



2. Pinch and insert.



3. Begin tightening.



4. Anchor is secure when screw is tightened to 100%

No heartburn, when we handle the return

Give us a call **1-866-619-1004** or shoot us a message at **help@nathanjames.com** we will issue you a free replacement with **zero hassle**.

Our way



Give us a call



Replacement



You

Their way



Re-package item



Schedule pick up



Track package



Replacement



You

We really don't want you to go through the hassle of re-packaging your item and sending it back, because let's be honest...nobody has time for that.

Safety first, fun later

We want your Console Table to last as long as possible, so we recommend that you tighten the screws 2 weeks after assembly and for added safety check the tightness of all screws every 2 months.

For proper care and treatment please check our website at NathanJames.com/products

Safe use of this product starts with you.

Use this console table responsibly with the primary concern for your safety. Follow assembly instructions carefully and inspect product upon receipt and each use.

Nathan James and its parent companies cannot be held legally responsible for any injuries or death resulted from failure to follow instructions or improper use of this product.

Do not modify the structure of this product in any way.

Our products have been tested to meet specific safety measures as they were originally intended to be sold. Any modifications will present the risk of creating significant safety issues which NJ will not be responsible for.

Proper use

- DO NOT** use for commercial purposes
- DO NOT** frolic on table
- DO NOT** leave spilled liquid on table
- DO NOT** use table if damaged
- DO NOT** make temporary repairs
- DO NOT** use outdoors