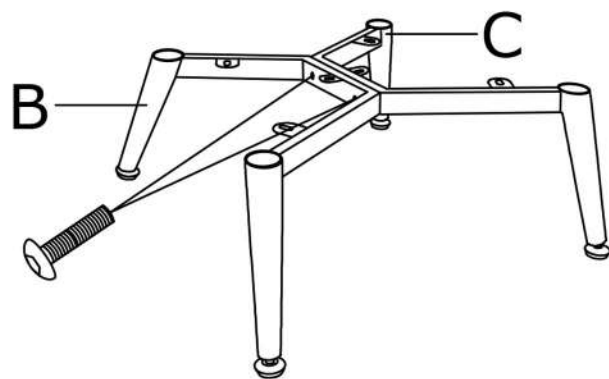
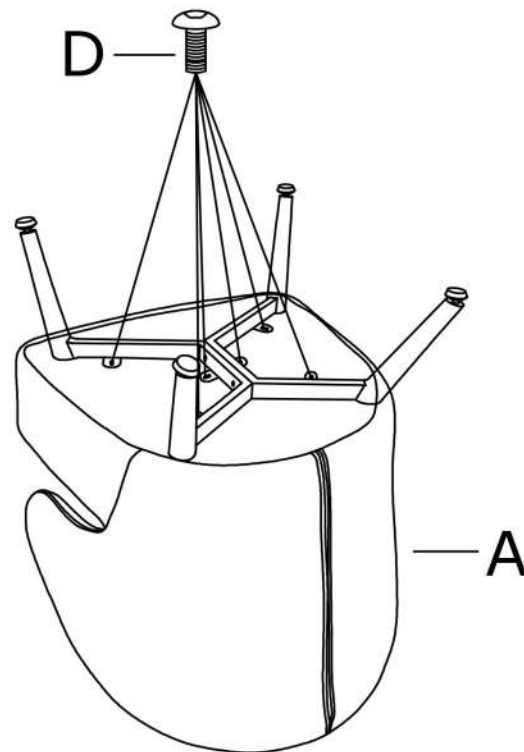


# ASSEMBLY INSTRUCTIONS

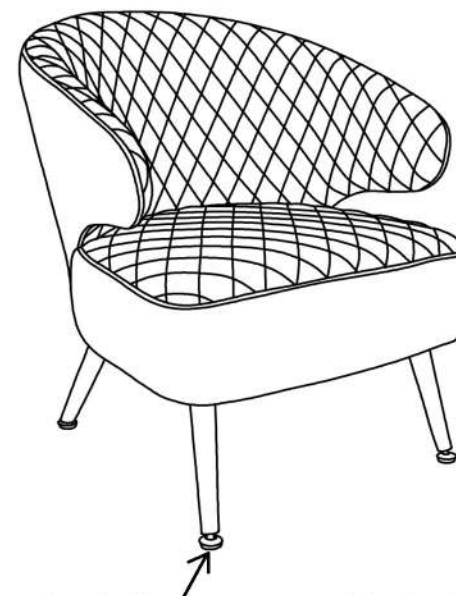
1



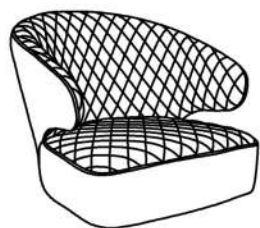
2



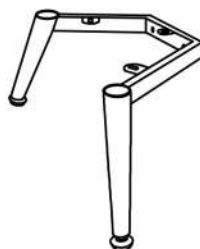
3



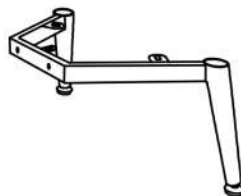
Please adjust the floor protector as needed to level the chair



Ax1



Bx1



Cx1



M6x20

Dx6



M6x30

Ex2



5mm

Fx1