

# ASSEMBLY INSTRUCTIONS

## TOOLS REQUIRED:

Allen Wrench (Provided, Part E)

Phillips Screw Driver (Not Provided)

## BEFORE YOU START:

1. Check the hardware against the hardware list to make sure all items are present.
2. Assemble your furniture on a soft, flat surface to avoid scratching the finish.
3. CAUTION: Do not over tighten screws, nuts or bolts during assembly.
4. Your furniture may require occasional tightening.

## INSTRUCTIONS:

1. Turn the table on to a clean soft surface .
2. Attach bottom stretcher to the legs using Screw (F).As shown in Figure 1 .
3. Attach drawer box shelf to the legs using Bolt (B), Lock Washer(C), Flat Washer (D) and tighten all bolts using Allen Wrench (E).As shown in Figure 2 .
4. Attach the legs to the top using Bolt (A), Lock Washer (C), Flat Washer (D) and tighten all bolts using Allen Wrench (E).  
- Attach dust panel to the drawer box shelf using Screw (G).As shown in Figure 3 .
5. Tighten all bolts before using the table .

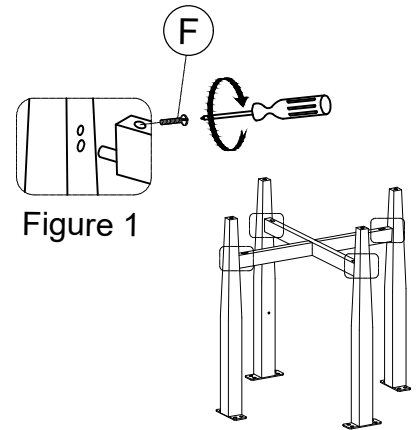
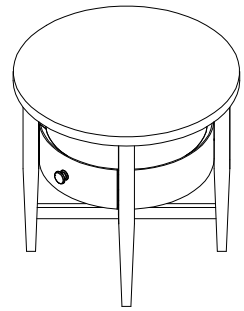


Figure 1

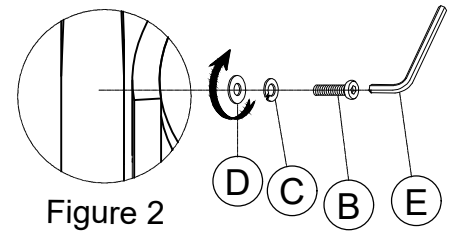
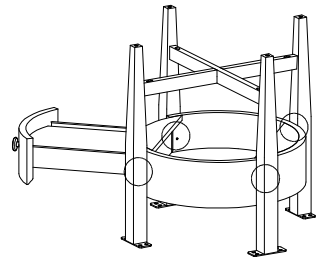


Figure 2

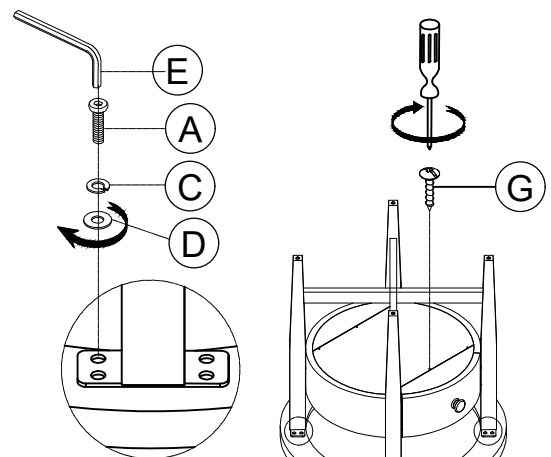






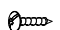


Figure 3

| HARDWARE LIST |   |                         |       |
|---------------|---|-------------------------|-------|
| A             |  | Ø1/4"x1" Bolt           | 16pcs |
| B             |  | Ø1/4"x1-1/2" Bolt       | 4pcs  |
| C             |  | Ø1/4"x13mm Lock Washer  | 20pcs |
| D             |  | Ø1/4" x19mm Flat Washer | 20pcs |
| E             |  | 1/4"x100mm Allen Wrench | 1pc   |
| F             |  | Ø5/32"x1-1/4"Screw      | 4pcs  |
| G             |  | Ø1/4"x1/2"Screw         | 6pcs  |