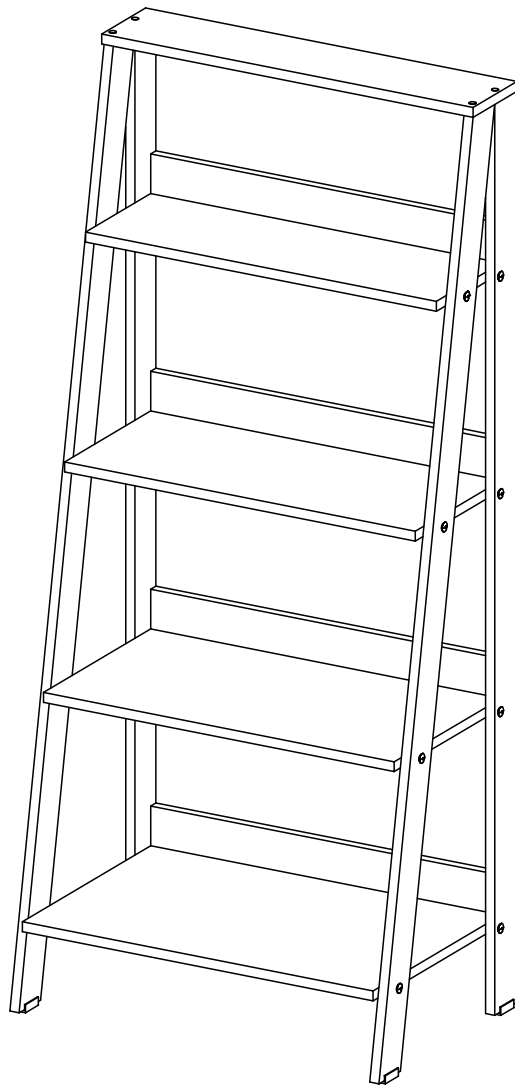
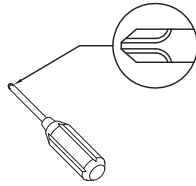


Assembly Instructions

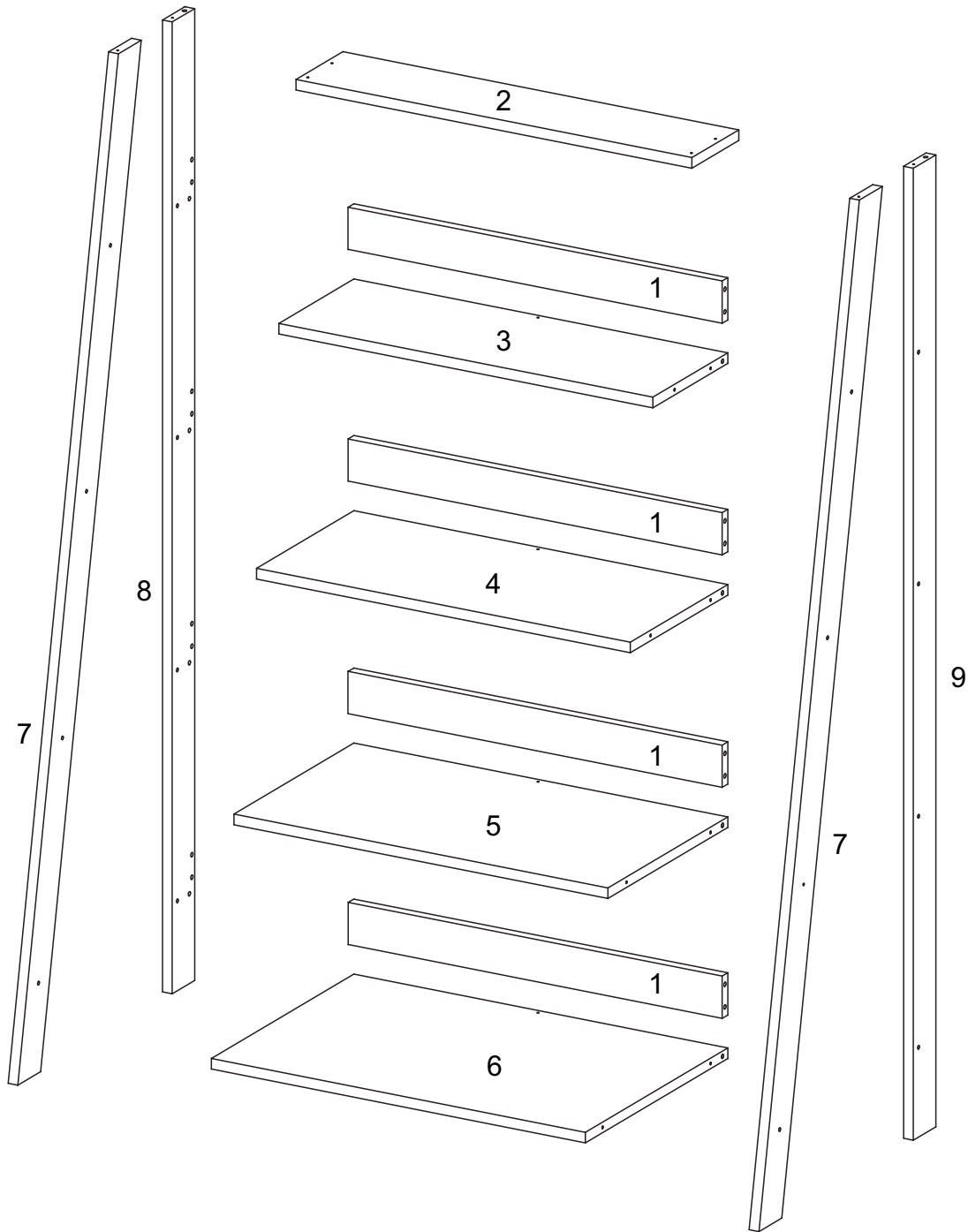


General Assembly Guidelines

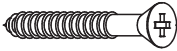







- I. Ensure that all parts and hardware are available before beginning assembly.
- II. Follow each step carefully to ensure the proper assembly of this product.
- III. Two people are recommended for ease in the assembly of this product.
- IV. The two main types of hardware used to assemble this product are: wood dowels and screws.
- V. A Phillips head screwdriver is required for the assembly of this product.

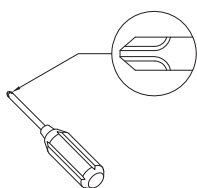


Parts List



Hardware List

A		Ø3,5x35mm	Screw	8 pcs
B		Ø5x50mm	Screw	16 pcs
C		Ø6x30mm	Wood Dowel	26 pcs
D		10x10	Nail	4 pcs
E		15x30mm	Plastic Foot	4 pcs
F		Ø10mm	Plastic Cap	4 pcs
G		Ø15mm	Plastic Cap	16 pcs
H		M4mm	Hex Key	1 pc

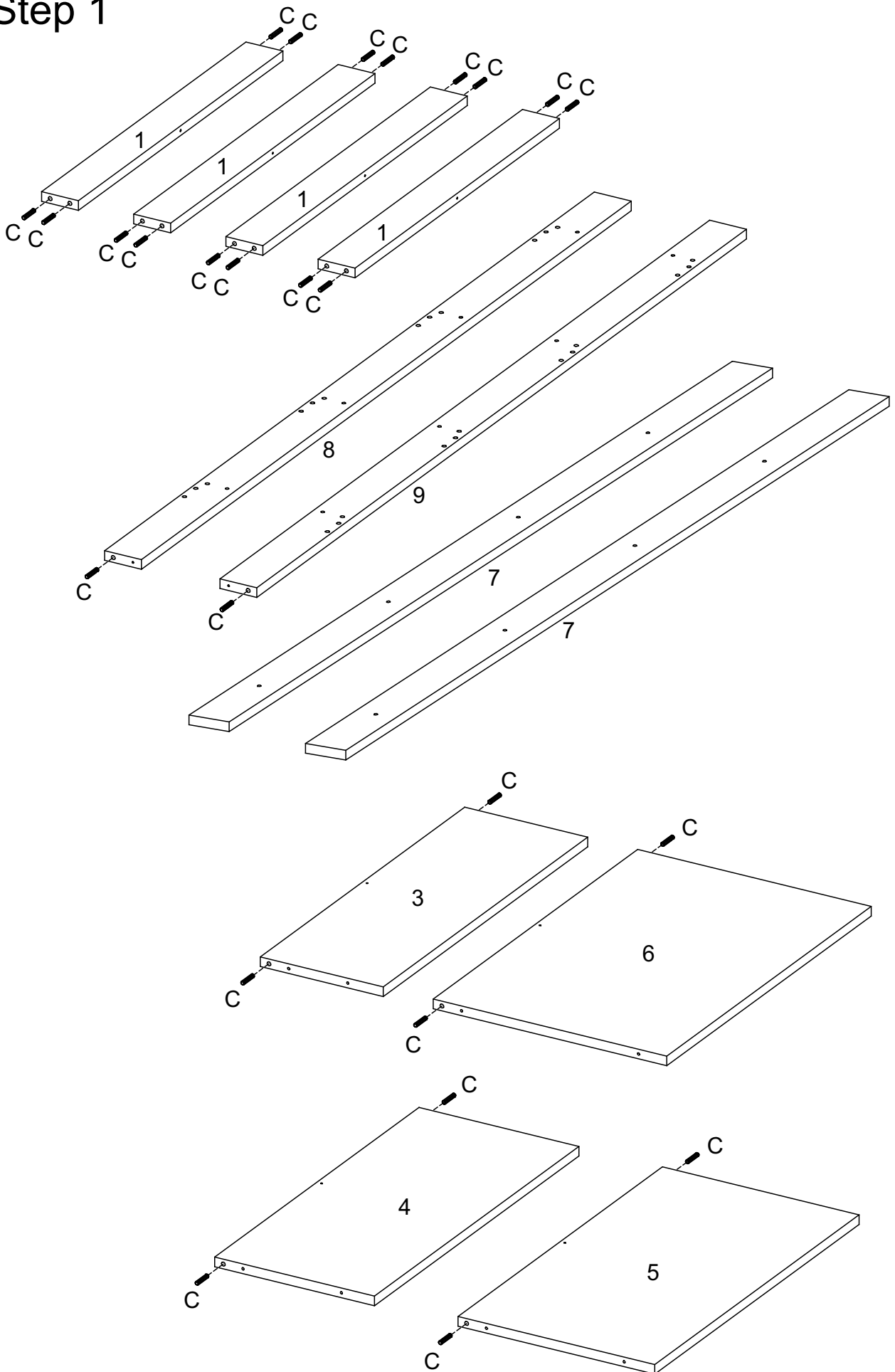


Phillips head screwdriver required for assembly

(not included)

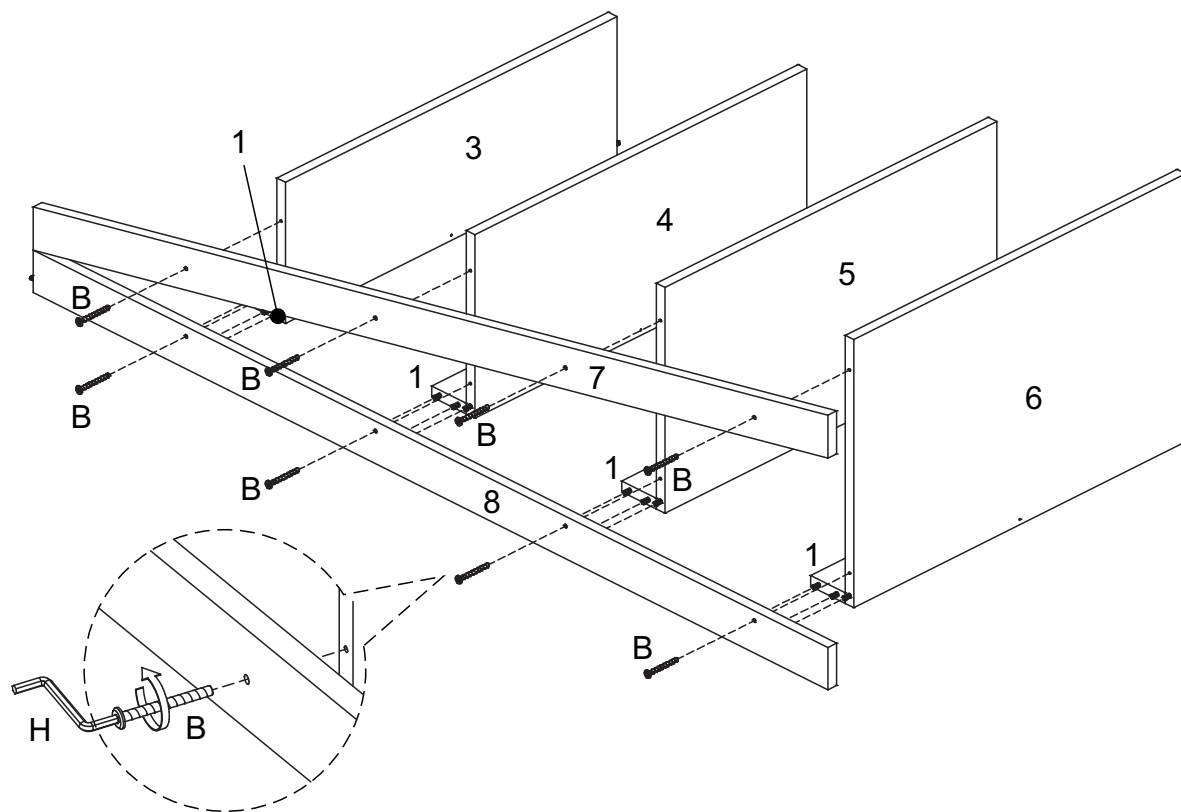
*The hardware quantities listed above are required for proper assembly.
Some extra hardware may also have been included.*

Step 1



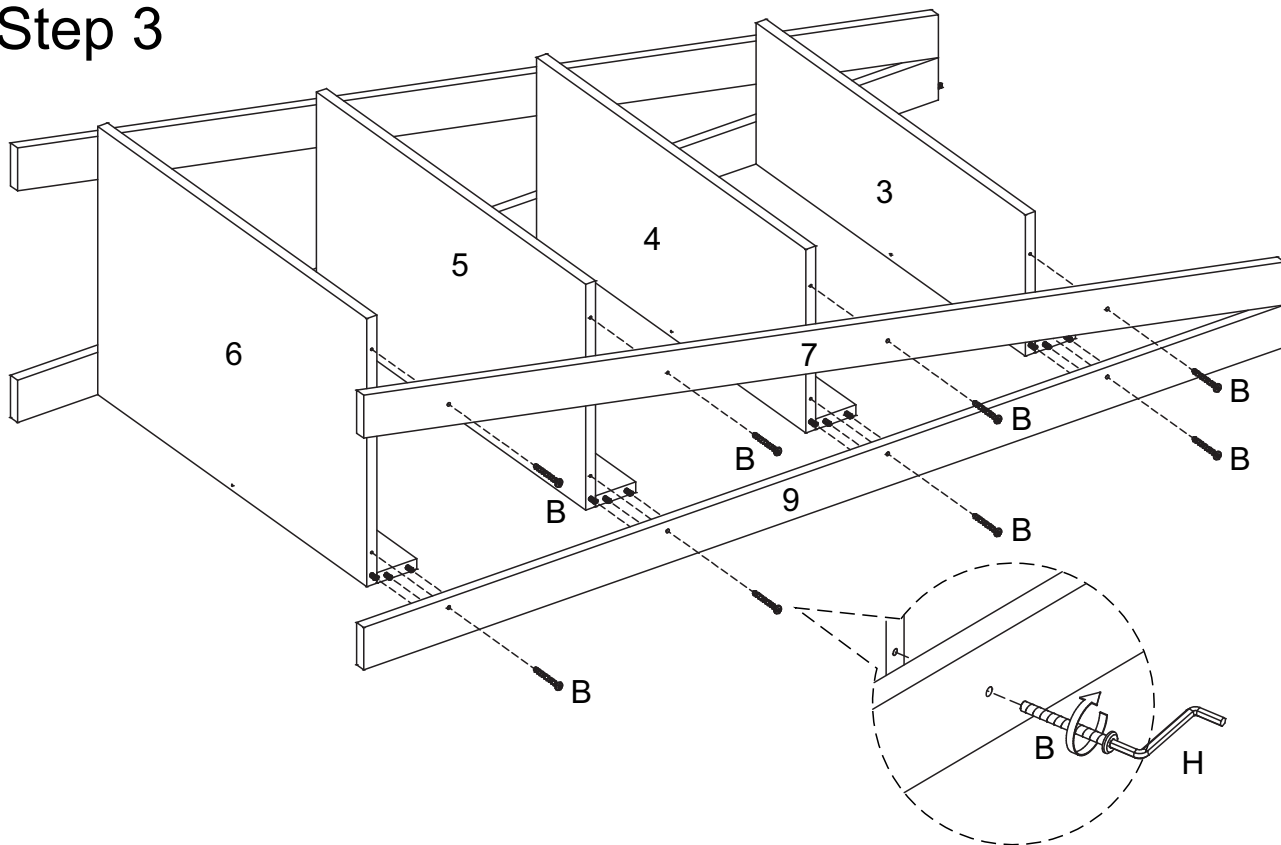
Insert wood dowels (C) into the indicated parts.

Step 2



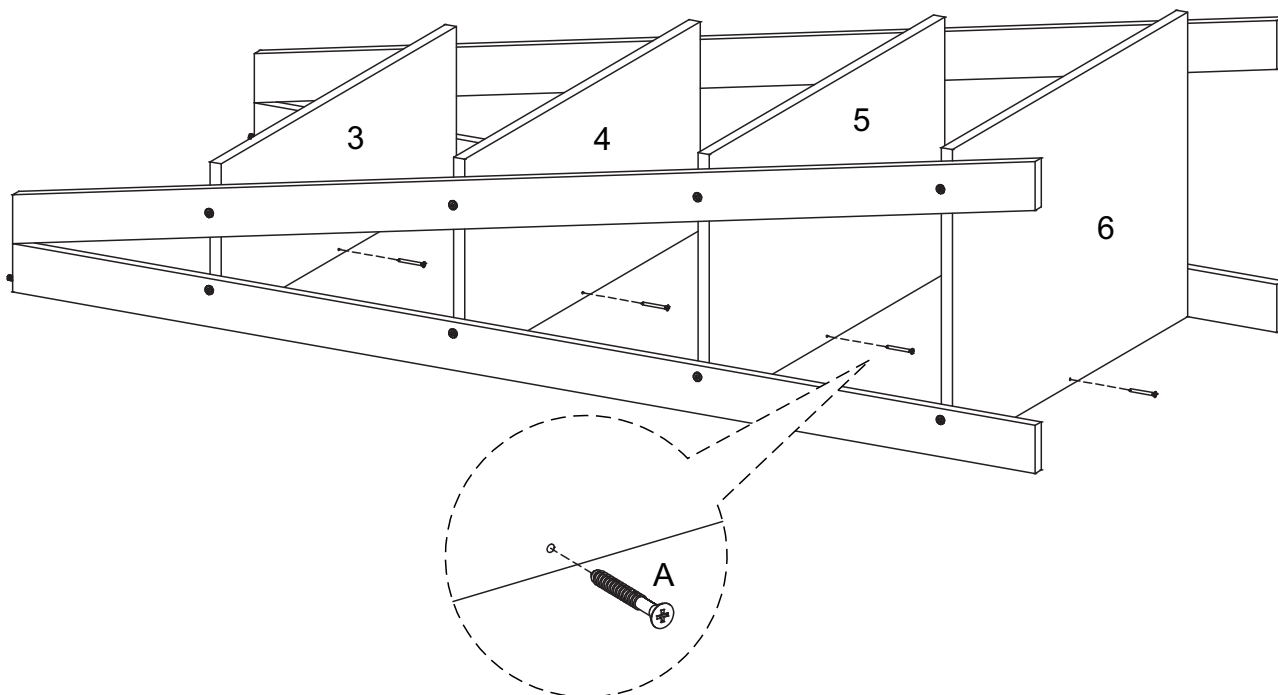
Attach the legs (7) and (8) to the shelves (3), (4), (5) and (6), secure it with the screws (B) and hex key (H). At same time, attach the back rails (1) to the legs (7) and (8), as shown.

Step 3



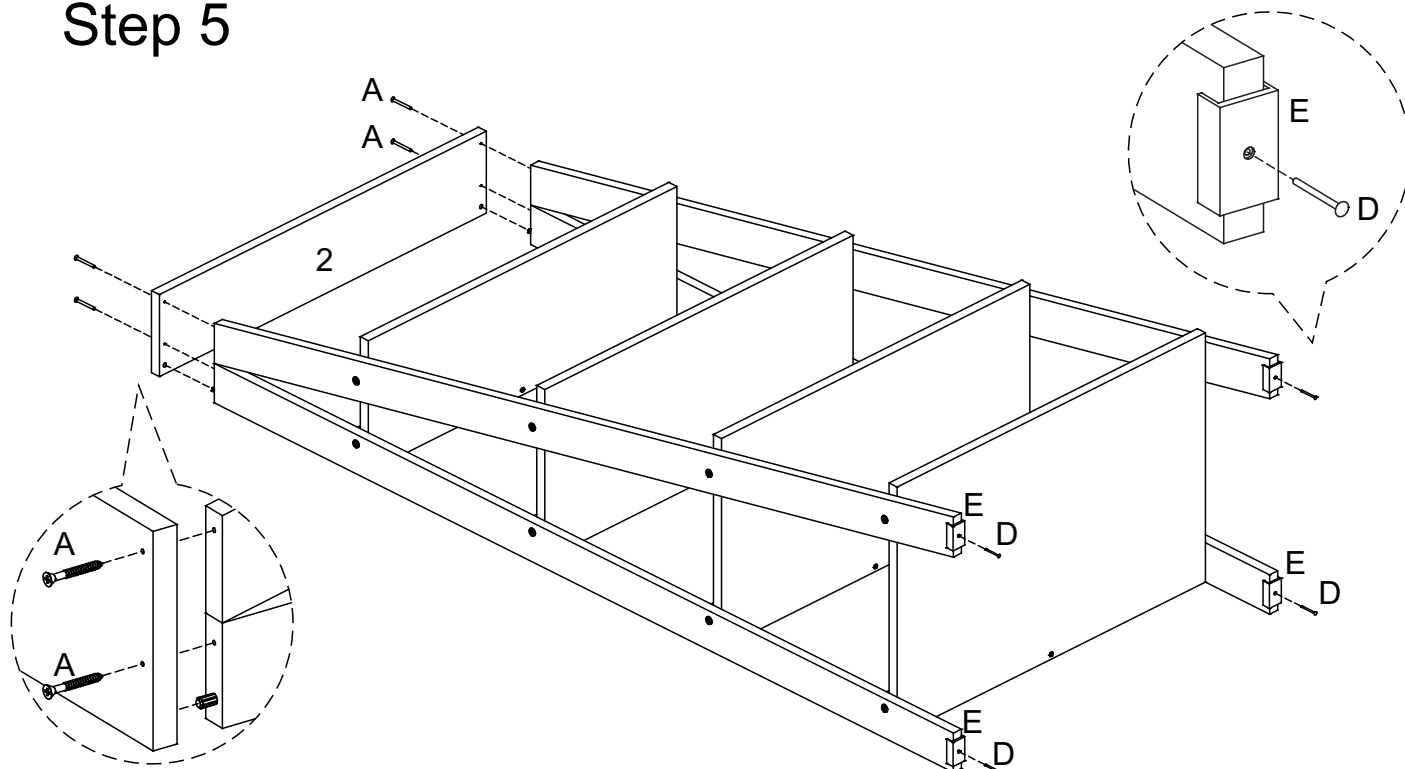
Attach the legs (7) and (9) to the shelves (3), (4), (5) and (6), secure it with the screws (B) and hex key (H). At same time, attach the back rails (1) to the legs (7) and (9), as shown.

Step 4



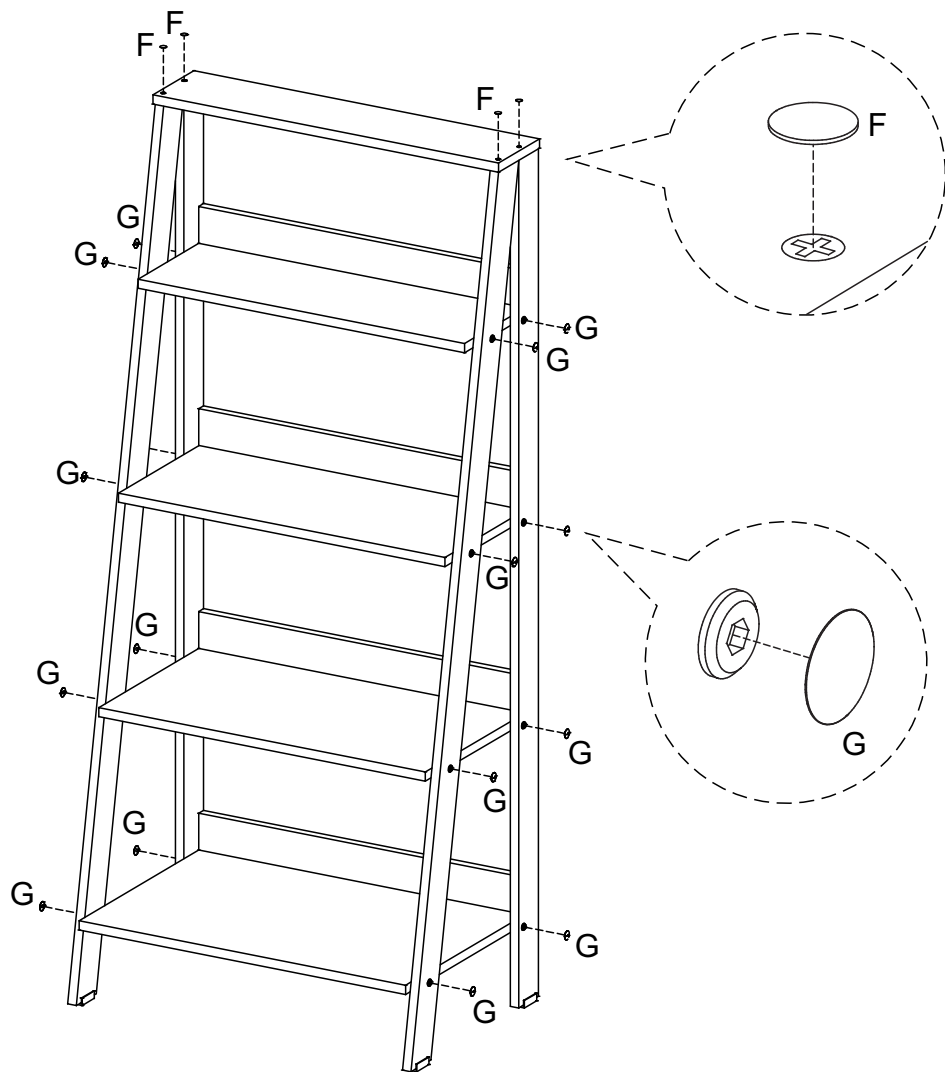
Attach the back rails (1) to the shelves (3), (4), (5) and (6), secure it with the screws (A) and a phillips head screwdriver (not included), as shown.

Step 5



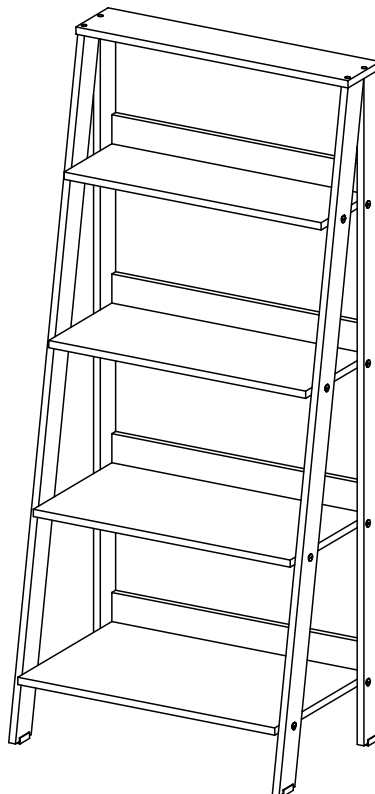
First, attach the top panel (2) to the unit, secure it with screws (A). After, attach the plastic feet (E) to the pre-assembled legs and secure it with nails (D).

Step 6



Use plastic cap (F) to cover screw heads (A) as desired. Use plastic cap (G) to cover screw heads (B) as desired.

Step 7



Final Assembly